

# 1A, 1.2MHz/2.2MHz, Step-Up DC/DC Converters in ThinSOT

## FEATURES

- 1.2MHz Switching Frequency (LT1930)
- 2.2MHz Switching Frequency (LT1930A)
- Low  $V_{CESAT}$  Switch: 400mV at 1A
- High Output Voltage: Up to 34V
- 5V at 480mA from 3.3V Input (LT1930)
- 12V at 250mA from 5V Input (LT1930A)
- Wide Input Range: 2.6V to 16V
- Uses Small Surface Mount Components
- Low Shutdown Current:  $< 1\mu A$
- Low Profile (1mm) ThinSOT™ Package
- Pin-for-Pin Compatible with the LT1613

## APPLICATIONS

- TFT-LCD Bias Supply
- Digital Cameras
- Cordless Phones
- Battery Backup
- Medical Diagnostic Equipment
- Local 5V or 12V Supply
- External Modems
- PC Cards
- xDSL Power Supply

LT, LTC and LT are registered trademarks of Linear Technology Corporation  
 ThinSOT is a trademark of Linear Technology Corporation.

## DESCRIPTION

The LT®1930 and LT1930A are the industry's highest power SOT-23 switching regulators. Both include an internal 1A, 36V switch allowing high current outputs to be generated in a small footprint. The LT1930 switches at 1.2MHz, allowing the use of tiny, low cost and low height capacitors and inductors. The faster LT1930A switches at 2.2MHz, enabling further reductions in inductor size. Complete regulator solutions approaching one tenth of a square inch in area are achievable with these devices. Multiple output power supplies can now use a separate regulator for each output voltage, replacing cumbersome quasi-regulated approaches using a single regulator and custom transformers.

A constant frequency internally compensated current mode PWM architecture results in low, predictable output noise that is easy to filter. Low ESR ceramic capacitors can be used at the output, further reducing noise to the millivolt level. The high voltage switch on the LT1930/LT1930A is rated at 36V, making the device ideal for boost converters up to 34V as well as for single-ended primary inductance converter (SEPIC) and flyback designs. The LT1930 can generate 5V at up to 480mA from a 3.3V supply or 5V at 300mA from four alkaline cells in a SEPIC design.

The LT1930/LT1930A are available in the 5-lead ThinSOT package.

## TYPICAL APPLICATION

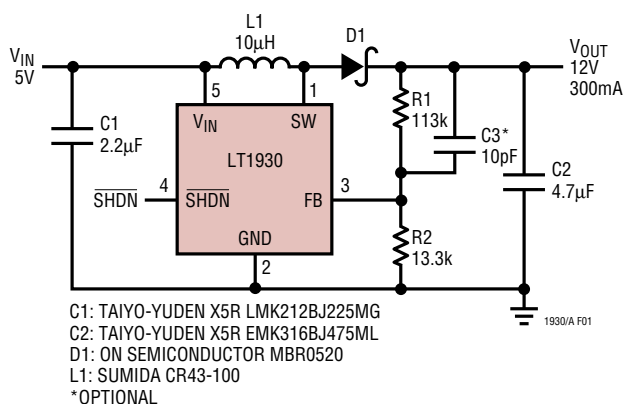
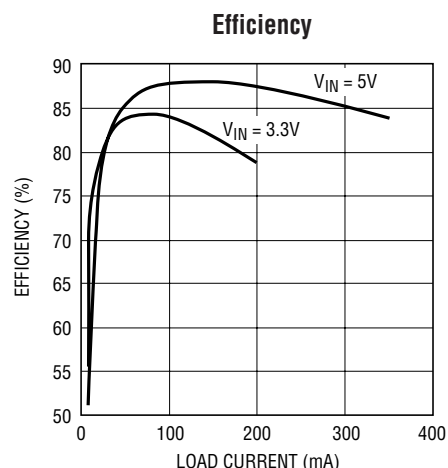


Figure 1. 5V to 12V, 300mA Step-Up DC/DC Converter



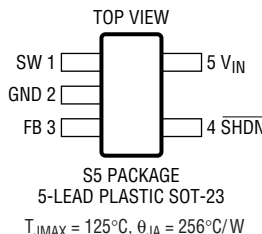
1930 TA01

## ABSOLUTE MAXIMUM RATINGS

(Note 1)

|  |                |
|--|----------------|
| $V_{IN}$ Voltage .....                     | 16V            |
| SW Voltage .....                           | -0.4V to 36V   |
| FB Voltage .....                           | 2.5V           |
| Current Into FB Pin .....                  | $\pm 1$ mA     |
| SHDN Voltage .....                         | 10V            |
| Maximum Junction Temperature .....         | 125°C          |
| Operating Temperature Range (Note 2) ..    | -40°C to 85°C  |
| Storage Temperature Range .....            | -65°C to 150°C |
| Lead Temperature (Soldering, 10 sec) ..... | 300°C          |

## PACKAGE/ORDER INFORMATION

|  |                         |
|--|-------------------------|
|  | ORDER PART NUMBER       |
|  | LT1930ES5<br>LT1930AES5 |
|  | S5 PART MARKING         |
|  | LTKS<br>LTSQ            |

Consult LTC Marketing for parts specified with wider operating temperature ranges.

## ELECTRICAL CHARACTERISTICS

The ● denotes specifications which apply over the full operating temperature range, otherwise specifications are  $T_A = 25^\circ\text{C}$ .  $V_{IN} = 3\text{V}$ ,  $V_{SHDN} = V_{IN}$  unless otherwise noted. (Note 2)

| PARAMETER                     | CONDITIONS                                       | LT1930 |       |       | LT1930A |       |       | UNITS |               |
|-------------------------------|--|--------|-------|-------|---------|-------|-------|-------|---------------|
|                               |  | MIN    | TYP   | MAX   | MIN     | TYP   | MAX   |       |               |
| Minimum Operating Voltage     |  |        | 2.45  | 2.6   |         | 2.45  | 2.6   | V     |               |
| Maximum Operating Voltage     |  |        |       | 16    |         |       | 16    | V     |               |
| Feedback Voltage              |  |        | 1.240 | 1.255 | 1.270   | 1.240 | 1.255 | 1.270 | V             |
|                               |  | ●      | 1.230 |       | 1.280   | 1.230 |       | 1.280 | V             |
| FB Pin Bias Current           | $V_{FB} = 1.255\text{V}$                         | ●      |       | 120   | 360     |       | 240   | 720   | nA            |
| Quiescent Current             | $V_{SHDN} = 2.4\text{V}$ , Not Switching         |        |       | 4.2   | 6       |       | 5.5   | 8     | mA            |
| Quiescent Current in Shutdown | $V_{SHDN} = 0\text{V}$ , $V_{IN} = 3\text{V}$    |        |       | 0.01  | 1       |       | 0.01  | 1     | $\mu\text{A}$ |
| Reference Line Regulation     | $2.6\text{V} \leq V_{IN} \leq 16\text{V}$        |        |       | 0.01  | 0.05    |       | 0.01  | 0.05  | %/V           |
| Switching Frequency           |  | ●      | 1     | 1.2   | 1.4     | 1.8   | 2.2   | 2.6   | MHz           |
|                               |  | ●      | 0.85  |       | 1.6     | 1.6   |       | 2.9   | MHz           |
| Maximum Duty Cycle            |  | ●      | 84    | 90    |         | 75    | 90    |       | %             |
| Switch Current Limit          | (Note 3)   |        | 1     | 1.2   | 2       | 1     | 1.2   | 2.5   | A             |
| Switch $V_{CESAT}$            | $I_{SW} = 1\text{A}$                             |        |       | 400   | 600     |       | 400   | 600   | mV            |
| Switch Leakage Current        | $V_{SW} = 5\text{V}$                             |        |       | 0.01  | 1       |       | 0.01  | 1     | $\mu\text{A}$ |
| SHDN Input Voltage High       |  |        | 2.4   |       |         | 2.4   |       |       | V             |
| SHDN Input Voltage Low        |  |        |       |       | 0.5     |       |       | 0.5   | V             |
| SHDN Pin Bias Current         | $V_{SHDN} = 3\text{V}$<br>$V_{SHDN} = 0\text{V}$ |        |       | 16    | 32      |       | 35    | 70    | $\mu\text{A}$ |
|                               |  |        |       | 0     | 0.1     |       | 0     | 0.1   | $\mu\text{A}$ |

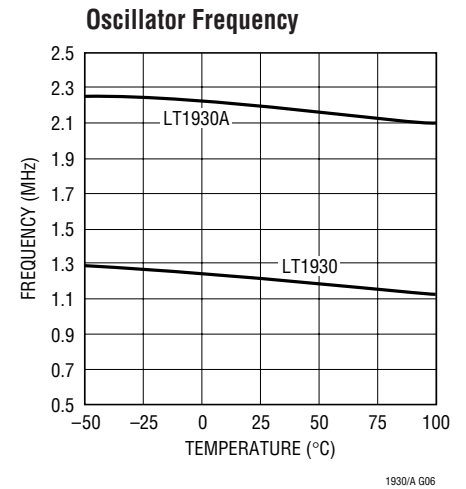
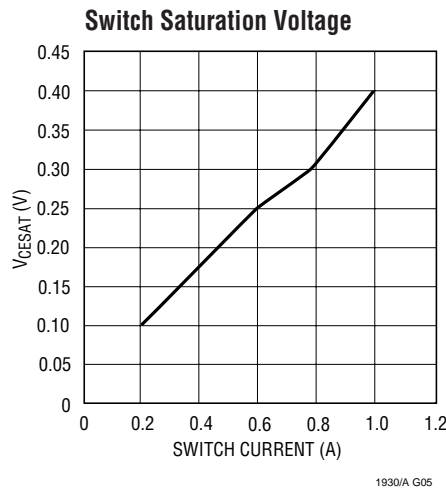
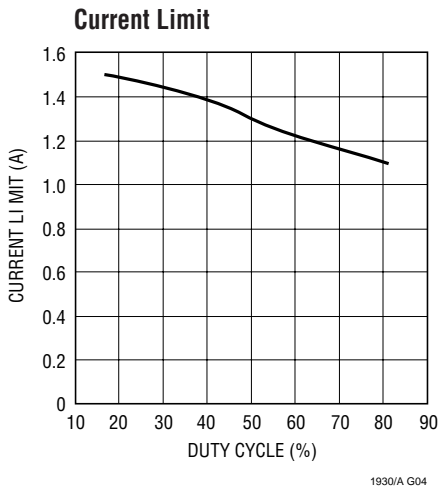
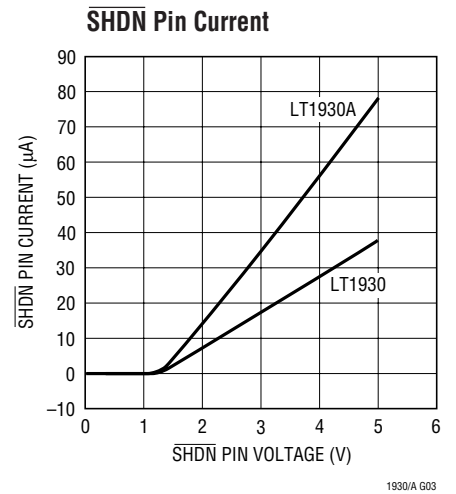
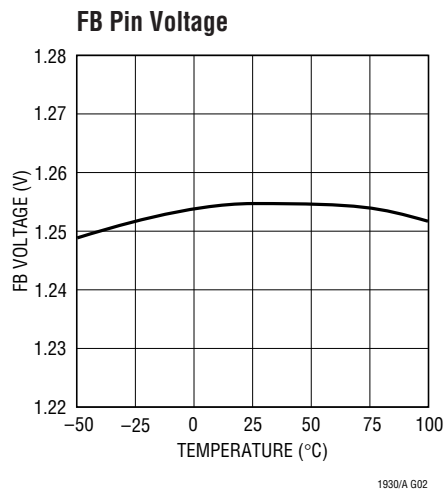
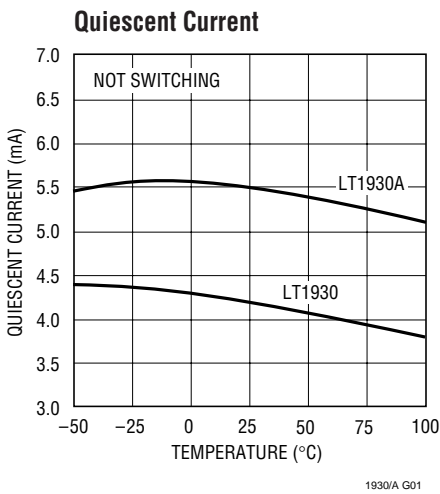
**Note 1:** Absolute Maximum Ratings are those values beyond which the life of a device may be impaired.

**Note 2:** The LT1930E/LT1930AE are guaranteed to meet performance specifications from 0°C to 70°C. Specifications over the -40°C to 85°C

operating temperature range are assured by design, characterization and correlation with statistical process controls.

**Note 3:** Current limit guaranteed by design and/or correlation to static test.

## TYPICAL PERFORMANCE CHARACTERISTICS



## PIN FUNCTIONS

**SW (Pin 1):** Switch Pin. Connect inductor/diode here. Minimize trace area at this pin to reduce EMI.

**GND (Pin 2):** Ground. Tie directly to local ground plane.

**FB (Pin 3):** Feedback Pin. Reference voltage is 1.255V. Connect resistive divider tap here. Minimize trace area at FB. Set  $V_{OUT}$  according to  $V_{OUT} = 1.255V(1 + R1/R2)$ .

**SHDN (Pin 4):** Shutdown Pin. Tie to 2.4V or more to enable device. Ground to shut down.

**V<sub>IN</sub> (Pin 5):** Input Supply Pin. Must be locally bypassed.

## BLOCK DIAGRAM

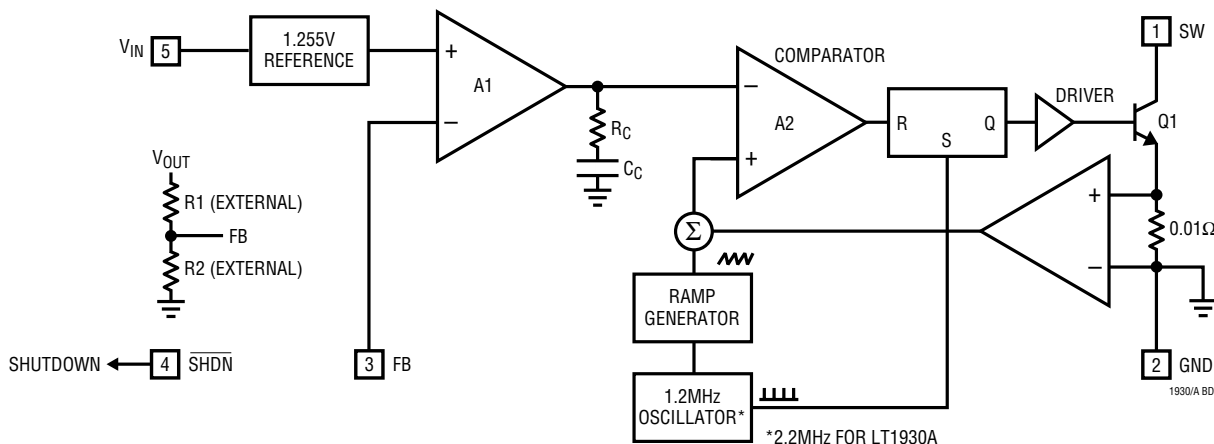


Figure 2. Block Diagram

## OPERATION

The LT1930 uses a constant frequency, current-mode control scheme to provide excellent line and load regulation. Operation can be best understood by referring to the block diagram in Figure 2. At the start of each oscillator cycle, the SR latch is set, which turns on the power switch Q1. A voltage proportional to the switch current is added to a stabilizing ramp and the resulting sum is fed into the positive terminal of the PWM comparator A2. When this voltage exceeds the level at the negative input of A2, the SR latch is reset turning off the power switch. The level at the negative input of A2 is set by the error amplifier A1, and is simply an amplified version of the difference between the feedback voltage and the reference voltage of 1.255V. In

this manner, the error amplifier sets the correct peak current level to keep the output in regulation. If the error amplifier's output increases, more current is delivered to the output; if it decreases, less current is delivered. The LT1930 has a current limit circuit not shown in Figure 2. The switch current is constantly monitored and not allowed to exceed the maximum switch current (typically 1.2A). If the switch current reaches this value, the SR latch is reset regardless of the state of comparator A2. This current limit helps protect the power switch as well as the external components connected to the LT1930.

The block diagram for the LT1930A (not shown) is identical except that the oscillator frequency is 2.2MHz.

## APPLICATIONS INFORMATION

### LT1930 AND LT1930A DIFFERENCES

#### Switching Frequency

The key difference between the LT1930 and LT1930A is the faster switching frequency of the LT1930A. At 2.2MHz, the LT1930A switches at nearly twice the rate of the LT1930. Care must be taken in deciding which part to use. The high switching frequency of the LT1930A allows smaller cheaper inductors and capacitors to be used in a given application, but with a slight decrease in efficiency and maximum output current when compared to the LT1930. Generally, if efficiency and maximum output current are critical, the LT1930 should be used. If application size and cost are more important, the LT1930A will be the better choice. In many applications, tiny inexpensive chip inductors can be used with the LT1930A, reducing solution cost.

#### Duty Cycle

The maximum duty cycle (DC) of the LT1930A is 75% compared to 84% for the LT1930. The duty cycle for a given application using the boost topology is given by:

$$DC = \frac{|V_{OUT}| - |V_{IN}|}{|V_{OUT}|}$$

For a 5V to 12V application, the DC is 58.3% indicating that the LT1930A could be used. A 5V to 24V application has a DC of 79.2% making the LT1930 the right choice. The LT1930A can still be used in applications where the DC, as calculated above, is above 75%. However, the part must be operated in the discontinuous conduction mode so that the actual duty cycle is reduced.

#### INDUCTOR SELECTION

Several inductors that work well with the LT1930 are listed in Table 1 and those for the LT1930A are listed in Table 2. These tables are not complete, and there are many other manufacturers and devices that can be used. Consult each manufacturer for more detailed information and for their entire selection of related parts, as many different sizes and shapes are available. Ferrite core inductors should be used to obtain the best efficiency, as core losses at 1.2MHz are much lower for ferrite cores than for cheaper powdered-

iron types. Choose an inductor that can handle at least 1A without saturating, and ensure that the inductor has a low DCR (copper-wire resistance) to minimize  $I^2R$  power losses. A 4.7μH or 10μH inductor will be the best choice for most LT1930 designs. For LT1930A designs, a 2.2μH to 4.7μH inductor will usually suffice. Note that in some applications, the current handling requirements of the inductor can be lower, such as in the SEPIC topology where each inductor only carries one-half of the total switch current.

**Table 1. Recommended Inductors – LT1930**

| PART         | L (μH) | MAX DCR mΩ | SIZE L × W × H (mm) | VENDOR   |
|--------------|--------|------------|---------------------|--|
| CDRH5D18-4R1 | 4.1    | 57         | 4.5 × 4.7 × 2.0     | Sumida<br>(847) 956-0666<br>www.sumida.com       |
| CDRH5D18-100 | 10     | 124        | 3.2 × 2.5 × 2.0     |  |
| CR43-4R7     | 4.7    | 109        |                     |  |
| CR43-100     | 10     | 182        |                     |  |
| DS1608-472   | 4.7    | 60         | 4.5 × 6.6 × 2.9     | Coilcraft<br>(847) 639-6400<br>www.coilcraft.com |
| DS1608-103   | 10     | 75         |                     |  |
| ELT5KT4R7M   | 4.7    | 240        | 5.2 × 5.2 × 1.1     | Panasonic<br>(408) 945-5660<br>www.panasonic.com |
| ELT5KT6R8M   | 6.8    | 360        |                     |  |

**Table 2. Recommended Inductors – LT1930A**

| PART        | L (μH) | MAX DCR mΩ | SIZE L × W × H (mm) | VENDOR   |
|-------------|--------|------------|---------------------|--|
| LQH3C2R2M24 | 2.2    | 126        | 3.2 × 2.5 × 2.0     | Murata<br>(404) 573-4150<br>www.murata.com       |
| LQH3C4R7M24 | 4.7    | 195        |                     |  |
| CR43-2R2    | 2.2    | 71         | 4.5 × 4.0 × 3.0     | Sumida<br>(847) 956-0666<br>www.sumida.com       |
| CR43-3R3    | 3.3    | 86         |                     |  |
| 1008PS-272  | 2.7    | 100        | 3.7 × 3.7 × 2.6     | Coilcraft<br>(800) 322-2645<br>www.coilcraft.com |
| 1008PS-332  | 3.3    | 110        |                     |  |
| ELT5KT3R3M  | 3.3    | 204        | 5.2 × 5.2 × 1.1     | Panasonic<br>(408) 945-5660<br>www.panasonic.com |

The inductors shown in Table 2 for use with the LT1930A were chosen for small size. For better efficiency, use similar valued inductors with a larger volume. For example, the Sumida CR43 series in values ranging from 2.2μH to 4.7μH will give an LT1930A application a few percentage points increase in efficiency, compared to the smaller Murata LQH3C Series.

## APPLICATIONS INFORMATION

### CAPACITOR SELECTION

Low ESR (equivalent series resistance) capacitors should be used at the output to minimize the output ripple voltage. Multi-layer ceramic capacitors are an excellent choice, as they have extremely low ESR and are available in very small packages. X5R dielectrics are preferred, followed by X7R, as these materials retain the capacitance over wide voltage and temperature ranges. A 4.7μF to 10μF output capacitor is sufficient for most applications, but systems with very low output currents may need only a 1μF or 2.2μF output capacitor. Solid tantalum or OSCON capacitors can be used, but they will occupy more board area than a ceramic and will have a higher ESR. Always use a capacitor with a sufficient voltage rating.

Ceramic capacitors also make a good choice for the input decoupling capacitor, which should be placed as close as possible to the LT1930/LT1930A. A 1μF to 4.7μF input capacitor is sufficient for most applications. Table 3 shows a list of several ceramic capacitor manufacturers. Consult the manufacturers for detailed information on their entire selection of ceramic parts.

**Table 3. Ceramic Capacitor Manufacturers**

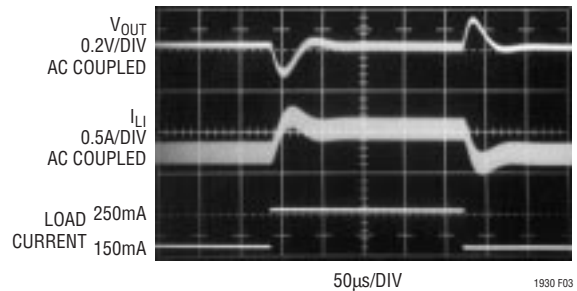
|             |                |                 |
|-------------|----------------|-----------------|
| Taiyo Yuden | (408) 573-4150 | www.t-yuden.com |
| AVX         | (803) 448-9411 | www.avxcorp.com |
| Murata      | (714) 852-2001 | www.murata.com  |

The decision to use either low ESR (ceramic) capacitors or the higher ESR (tantalum or OSCON) capacitors can affect the stability of the overall system. The ESR of any capacitor, along with the capacitance itself, contributes a zero to the system. For the tantalum and OSCON capacitors, this zero is located at a lower frequency due to the higher value of the ESR, while the zero of a ceramic capacitor is at a much higher frequency and can generally be ignored.

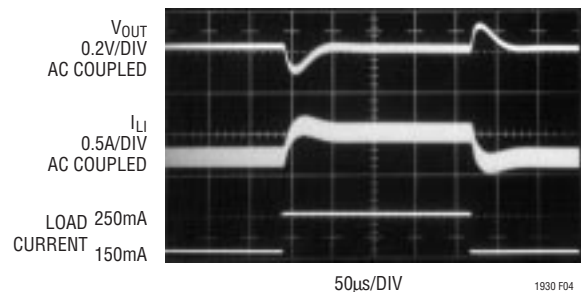
A phase lead zero can be intentionally introduced by placing a capacitor (C3) in parallel with the resistor (R1) between V<sub>OUT</sub> and V<sub>FB</sub> as shown in Figure 1. The frequency of the zero is determined by the following equation.

$$f_z = \frac{1}{2\pi \cdot R1 \cdot C3}$$

By choosing the appropriate values for the resistor and capacitor, the zero frequency can be designed to improve the phase margin of the overall converter. The typical target value for the zero frequency is between 35kHz to 55kHz. Figure 3 shows the transient response of the step-up converter from Figure 1 without the phase lead capacitor C3. The phase margin is reduced as evidenced by more ringing in both the output voltage and inductor current. A 10pF capacitor for C3 results in better phase margin, which is revealed in Figure 4 as a more damped response and less overshoot. Figure 5 shows the transient response when a 33μF tantalum capacitor with no phase lead capacitor is used on the output. The higher output voltage ripple is revealed in the upper waveform as a set of double lines. The transient response is not greatly improved which implies that the ESR zero frequency is too high to increase the phase margin.



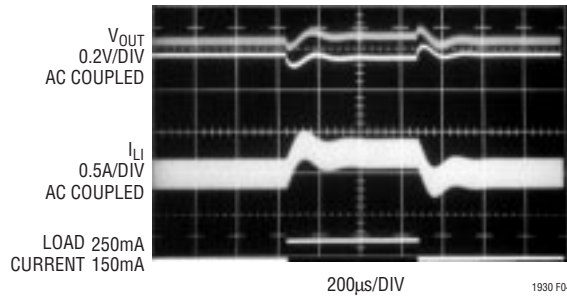
**Figure 3. Transient Response of Figure 1's Step-Up Converter without Phase Lead Capacitor**



**Figure 4. Transient Response of Figure 1's Step-Up Converter with 10pF Phase Lead Capacitor**



## APPLICATIONS INFORMATION



**Figure 5. Transient Response of Step-Up Converter with 33µF Tantalum Output Capacitor and No Phase Lead Capacitor**

### DIODE SELECTION

A Schottky diode is recommended for use with the LT1930/LT1930A. The Motorola MBR0520 is a very good choice. Where the switch voltage exceeds 20V, use the MBR0530 (a 30V diode). Where the switch voltage exceeds 30V, use the MBR0540 (a 40V diode). These diodes are rated to handle an average forward current of 0.5A. In applications where the average forward current of the diode exceeds 0.5A, a Microsemi UPS5817 rated at 1A is recommended.

### SETTING OUTPUT VOLTAGE

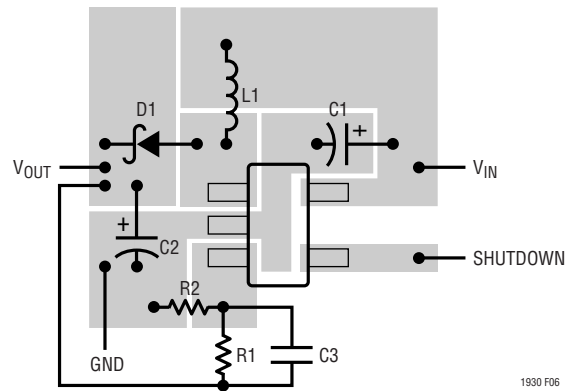
To set the output voltage, select the values of R1 and R2 (see Figure 1) according to the following equation.

$$R1 = R2 \left( \frac{V_{OUT}}{1.255V} - 1 \right)$$

A good value for R2 is 13.3k which sets the current in the resistor divider chain to  $1.255V/13.3k = 94.7\mu A$ .

### LAYOUT HINTS

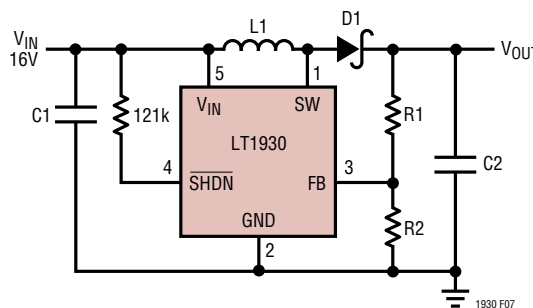
The high speed operation of the LT1930/LT1930A demands careful attention to board layout. You will not get advertised performance with careless layout. Figure 6 shows the recommended component placement.



**Figure 6. Suggested Layout**

### Driving SHDN Above 10V

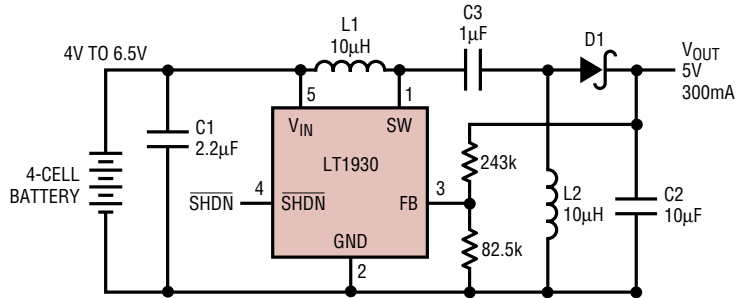
The maximum voltage allowed on the SHDN pin is 10V. If you wish to use a higher voltage, you must place a resistor in series with SHDN. A good value is 121k. Figure 7 shows a circuit where  $V_{IN} = 16V$  and SHDN is obtained from  $V_{IN}$ . The voltage on the SHDN pin is kept below 10V.



**Figure 7. Keeping SHDN Below 10V**

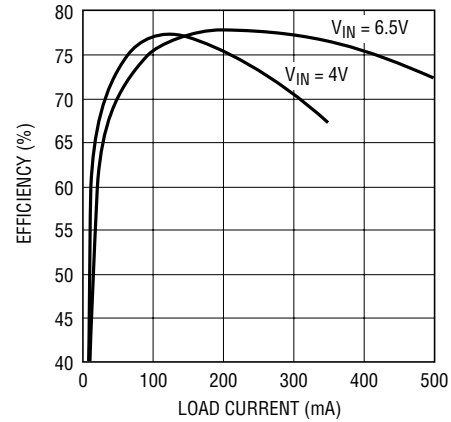
## TYPICAL APPLICATIONS

### 4-Cell to 5V SEPIC Converter



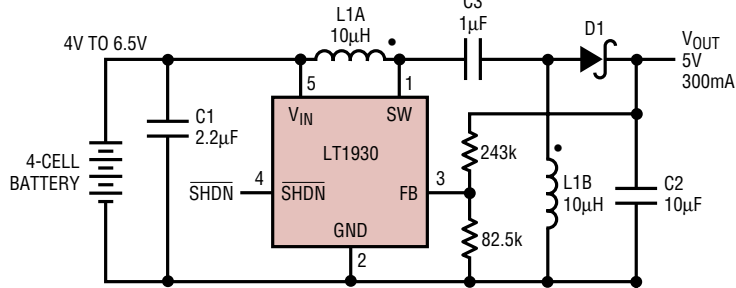
C1: TAIYO-YUDEN X5R LMK212BJ225MG  
 C2: TAIYO-YUDEN X5R JMK316BJ106ML D1: ON SEMICONDUCTOR MBR0520  
 C3: TAIYO-YUDEN X5R LMK212BJ105MG L1, L2: MURATA LQH3C100K24

### Efficiency



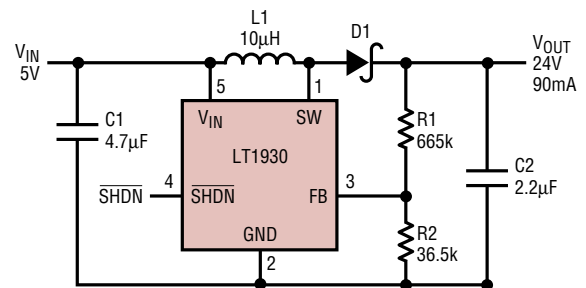
1930 TA02b

### 4-Cell to 5V SEPIC Converter with Coupled Inductors



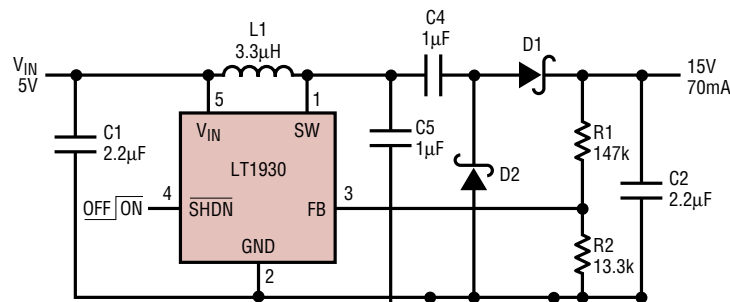
C1: TAIYO-YUDEN X5R LMK212BJ225MG  
 C2: TAIYO-YUDEN X5R JMK316BJ106ML  
 C3: TAIYO-YUDEN X5R LMK212BJ105MG  
 D1: ON SEMICONDUCTOR MBR0520  
 L1: SUMIDA CLS62-100

### 5V to 24V Boost Converter



C1: TAIYO-YUDEN X5R EMK316BJ475ML  
 C2: TAIYO-YUDEN X5R JMK212BJ475MG  
 D1: ON SEMICONDUCTOR MBR0530  
 L1: SUMIDA CR43-100

### ±15V Dual Output Converter with Output Disconnect

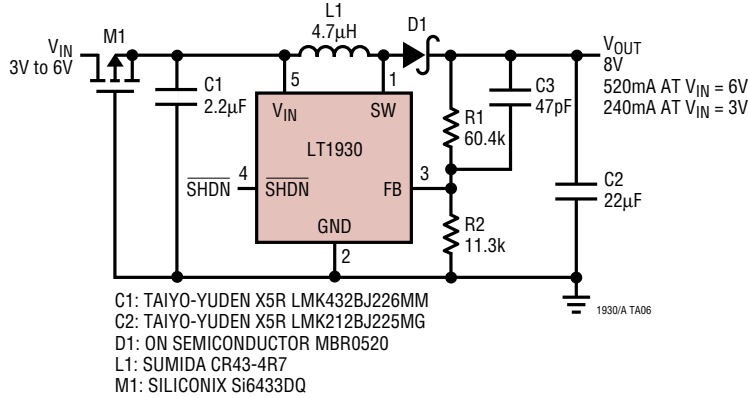


C1: TAIYO-YUDEN X5R LMK212BJ225MG  
 C2, C3: TAIYO-YUDEN X5R EMK316BJ225ML  
 C4, C5: TAIYO-YUDEN X5R TMK316BJ105ML (408) 573-4150  
 D1 TO D4: ON SEMICONDUCTOR MBR0520 (800) 282-9855  
 L1: SUMIDA CR43-3R3 (874) 956-0666

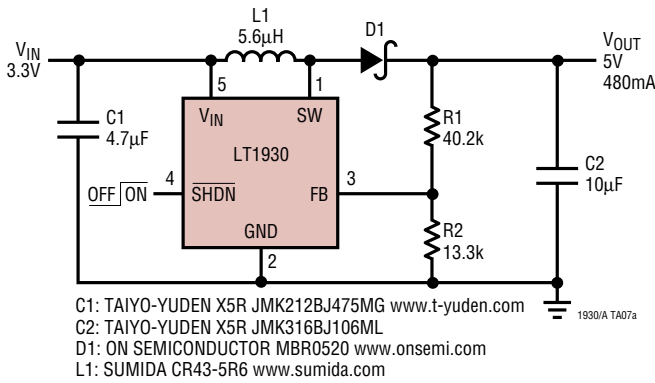


TYPICAL APPLICATIONS

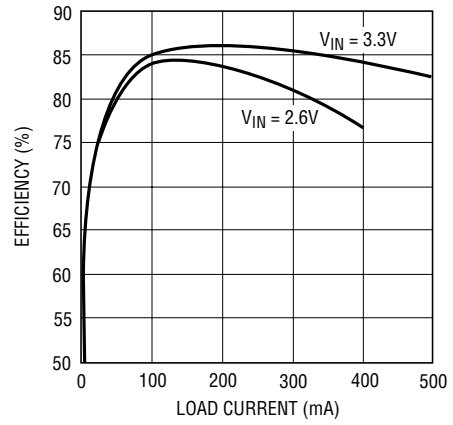
Boost Converter with Reverse Battery Protection



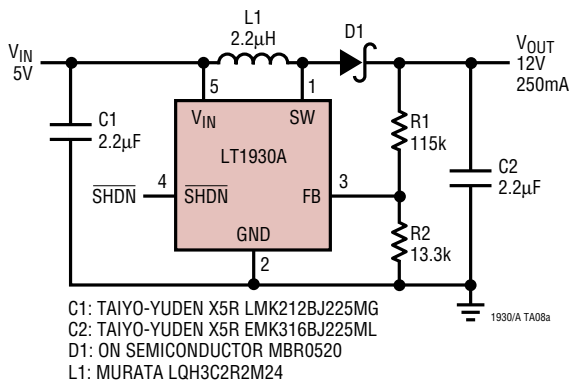
3.3V to 5V Boost Converter



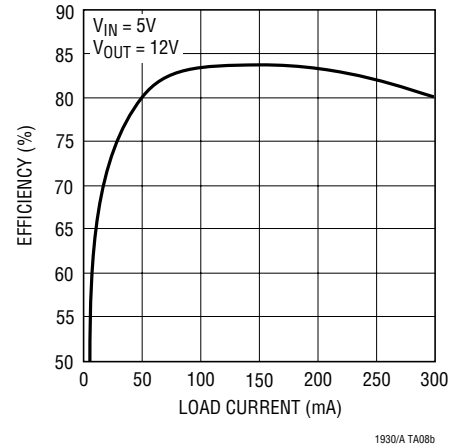
Efficiency



5V to 12V, 250mA Step-Up Converter

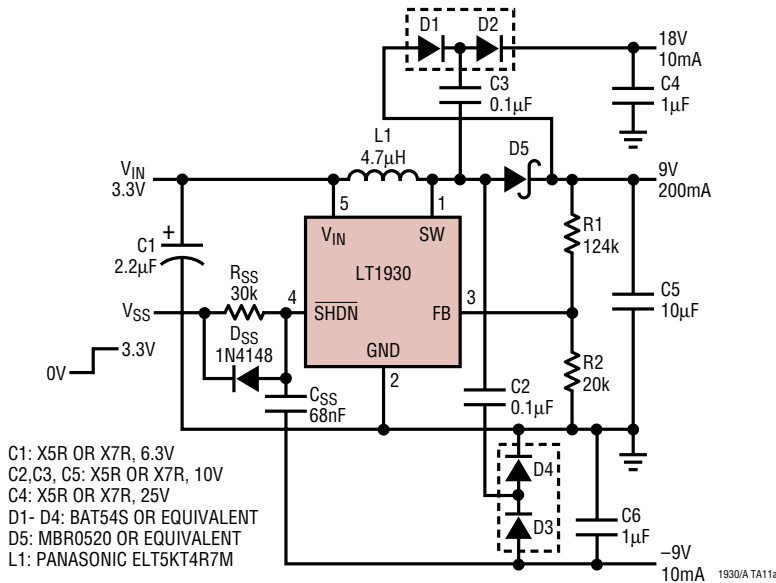


Efficiency

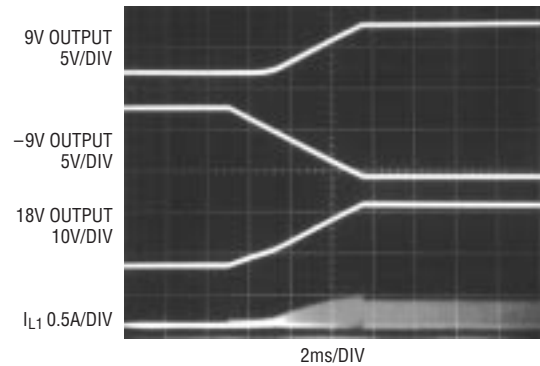


## TYPICAL APPLICATIONS

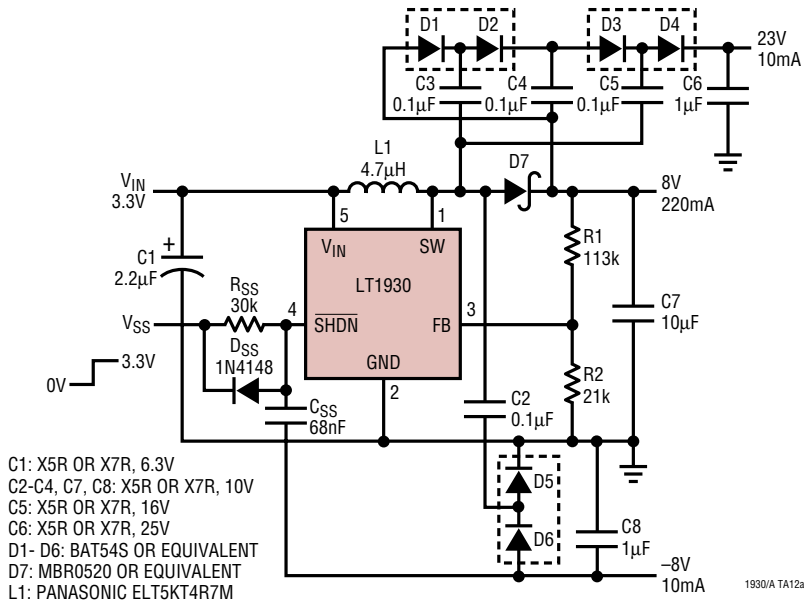
### 9V, 18V, -9V Triple Output TFT-LCD Bias Supply with Soft-Start



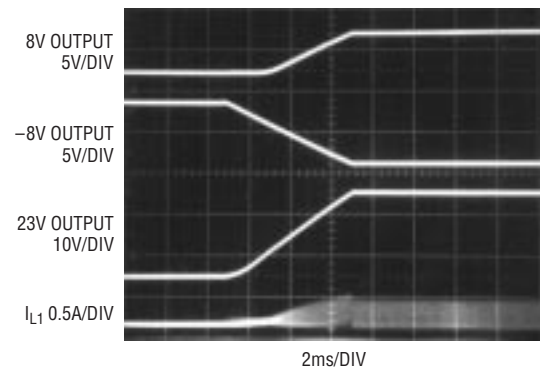
Start-Up Waveforms



### 8V, 23V, -8V Triple Output TFT-LCD Bias Supply with Soft-Start



Start-Up Waveforms

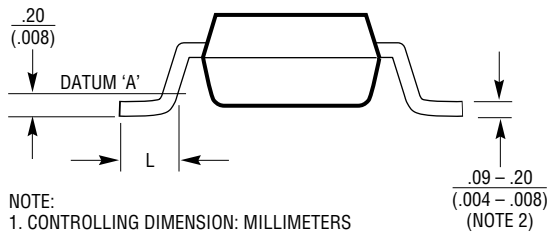
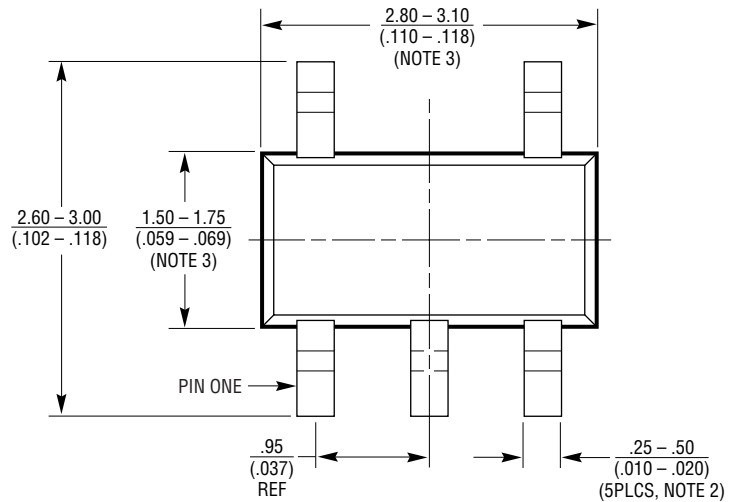


**PACKAGE DESCRIPTION**

**S5 Package  
5-Lead Plastic SOT-23**

(Reference LTC DWG # 05-08-1633)  
(Reference LTC DWG # 05-08-1635)

|           | SOT-23<br>(Original)        | SOT-23<br>(ThinSOT)                |
|-----------|-----------------------------|------------------------------------|
| <b>A</b>  | .90 - 1.45<br>(.035 - .057) | 1.00 MAX<br>(.039 MAX)             |
| <b>A1</b> | .00 - .15<br>(.00 - .006)   | .01 - .10<br>(.0004 - .004)        |
| <b>A2</b> | .90 - 1.30<br>(.035 - .051) | .80 - .90<br>(.031 - .035)         |
| <b>L</b>  | .35 - .55<br>(.014 - .021)  | .30 - .50 REF<br>(.012 - .019 REF) |



- NOTE:
1. CONTROLLING DIMENSION: MILLIMETERS
  2. DIMENSIONS ARE IN MILLIMETERS (INCHES)
  3. DRAWING NOT TO SCALE
  4. DIMENSIONS ARE INCLUSIVE OF PLATING
  5. DIMENSIONS ARE EXCLUSIVE OF MOLD FLASH AND METAL BURR
  6. MOLD FLASH SHALL NOT EXCEED .254mm
  7. PACKAGE EIAJ REFERENCE IS:  
SC-74A (EIAJ) FOR ORIGINAL  
JEDEC MO-193 FOR THIN

S5 SOT-23 0401