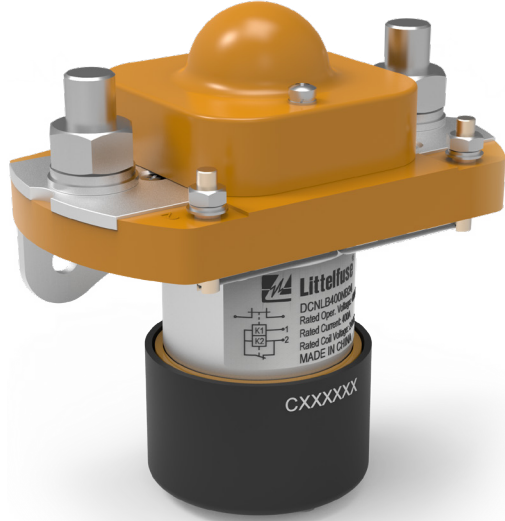


DCNLB SERIES

60V DC MAX CONTACTOR RELAY



Specifications

Max Voltage Rating (V DC):	60
Current Rating Continuous (A):	100, 200
Coil Voltage Rating (V DC):	24, 48, 60
Ingress Protection:	IP 40
Operating Temperature (°C):	-40 to +85

Applications

- Communication Power Supplies
- UPS

Description

Designed for the electric control systems of communication power supplies, uninterruptible power supplies (UPS), engineering machines, and more, the DCNLB Series 48V High-Current DC Contactor Relay is a normally closed relay that is available in single-coil and double-coil configurations. The high-current contactor relay is also available with coil voltage ratings of 24V, 48V, and 60V to suit various applications.

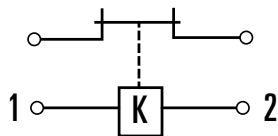
Web Resources

Download 2D print, installation guide and technical resources at: littelfuse.com/DCNLB

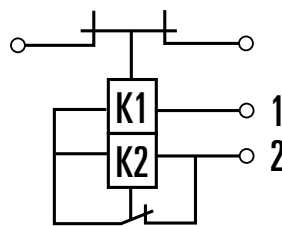
Features and Benefits

- Up to 200A continuous current rating for high-current contact switching
- Able to make and break up to 1600A
- Main contacts are rated for 48V (typical) and 60V (max)
- Coil voltage options include 24V, 48V, and 60V
- Normally close, monostable relay design
- Available in single-coil and double-coil configurations
- Non-polarized contacts

Electrical Diagram



Single Coil



Dual Coil

DCNLB SERIES

60V DC MAX CONTACTOR RELAY

Ordering Information

PART NUMBER	CONTINUOUS CURRENT (A)	VOLTAGE RATING		MOUNTING	COIL VOLTAGE (V DC)	COIL TYPE	AUX CONTACT	POLARIZED
		SYSTEM NOMINAL (V DC)	MAX VOLTAGE (V DC)					
DCNLB100NB48	100	48	60	SIDE MOUNT	48	Single	No	No
DCNLB200NB24	200	48	60	SIDE MOUNT	24	Single	No	No
DCNLB200NB48	200	48	60	SIDE MOUNT	48	Single	No	No
DCNLB200NB60	200	48	60	SIDE MOUNT	60	Single	No	No
DCNLB200NB48-01	200	48	60	SIDE MOUNT	48	Dual	No	No

Performance Data

MAIN CONTACT		
Contact Arrangement	SPST NC	
Rated Operating Voltage	48V DC	
Max Short Circuit Current	DCNLB100NB	400A @ 48V DC
	DCNLB200NB	800A @ 48V DC
Dielectric Withstand Voltage	1000V AC	
Insulation Resistance	≥50MΩ @ 500VDC	
Max Voltage Drop	≤ 50mV @ 100A	

COIL DATA			
Voltage Rating (V DC)	24	48	60
Pickup Voltage @ 25°C (V DC MAX)	15	30	37
Dropout Voltage @ 25°C (V DC MIN)	2	4	5
Hold Current (A)	DCNLB100NB48	0.23	
	DCNLB200NB24	0.4	
	DCNLB200NB48	0.26	
	DCNLB200NB60	0.24	
Coil Watts @ 25°C (W)	DCNLB200NB48-01	0.12	
	DCNLB100NB48	11	
	DCNLB200NB24	10	
	DCNLB200NB48	12	
	DCNLB200NB60	14.5	
Start-Up	DCNLB200NB48-01	230/8	
		180	180
Hold		8	8

LIFE	
Electrical Life	3,000
Mechanical Life	100,000

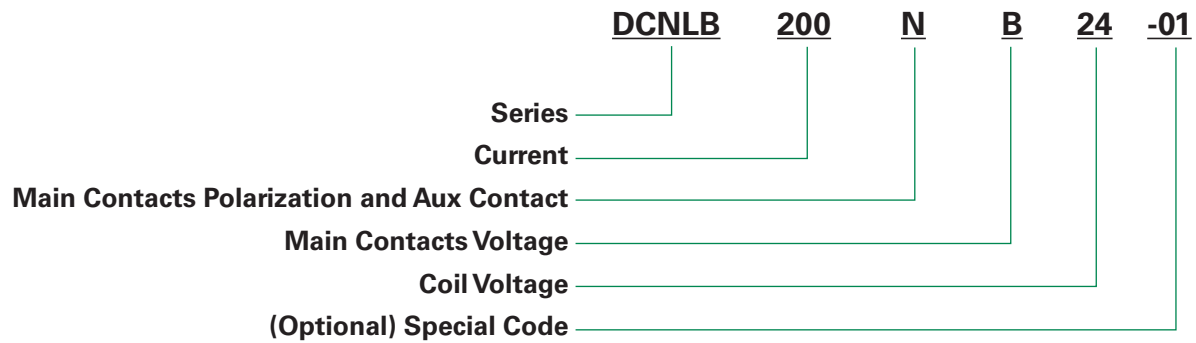
OPERATE / RELEASE TIME		
Release (ms)	DCNLB100NB DCNLB200NB	50
	DCNLB200NB48-01	30

ENVIRONMENTAL DATA		
Shock	3G	
Vibration	1~50Hz (freq.1~10Hz, amp;.25/f ² ; freq.10~50Hz, ampl.250/f ²)	
Operating Ambient Temperature	-40°C~+85°C	
Weight (g)	DCNLB100NB	193.3
	DCNLB200NB	535

DCNLB SERIES

60V DC MAX CONTACTOR RELAY

Part Number System



MAIN CONTACTS POLARIZATION AND AUX CONTACT		
	POLARIZED?	INCLUDE AUX CONTACT?
N:	No	No

MAIN CONTACTS VOLTAGE RATING		
B:	48	V DC

COIL VOLTAGE		
24:	24	V DC
48:	48	V DC
60:	60	V DC