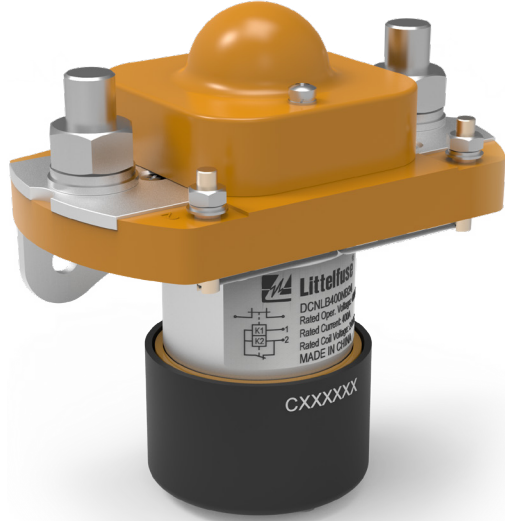


DCNLB SERIES

60V DC MAX CONTACTOR RELAY



Specifications

| | |
|---------------------------------------|------------|
| Max Voltage Rating (V DC): | 60 |
| Current Rating Continuous (A): | 100, 200 |
| Coil Voltage Rating (V DC): | 24, 48, 60 |
| Ingress Protection: | IP 40 |
| Operating Temperature (°C): | -40 to +85 |

Applications

- Communication Power Supplies
- UPS

Description

Designed for the electric control systems of communication power supplies, uninterruptible power supplies (UPS), engineering machines, and more, the DCNLB Series 48V High-Current DC Contactor Relay is a normally closed relay that is available in single-coil and double-coil configurations. The high-current contactor relay is also available with coil voltage ratings of 24V, 48V, and 60V to suit various applications.

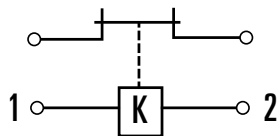
Web Resources

Download 2D print, installation guide and technical resources at: littelfuse.com/DCNLB

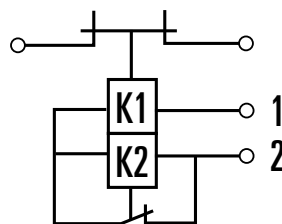
Features and Benefits

- Up to 200A continuous current rating for high-current contact switching
- Able to make and break up to 1600A
- Main contacts are rated for 48V (typical) and 60V (max)
- Coil voltage options include 24V, 48V, and 60V
- Normally close, monostable relay design
- Available in single-coil and double-coil configurations
- Non-polarized contacts

Electrical Diagram



Single Coil



Dual Coil

DCNLB SERIES

60V DC MAX CONTACTOR RELAY

Ordering Information

| PART NUMBER | CONTINUOUS CURRENT (A) | VOLTAGE RATING | | MOUNTING | COIL VOLTAGE (V DC) | COIL TYPE | AUX CONTACT | POLARIZED |
|-----------------|------------------------|-----------------------|--------------------|------------|---------------------|-----------|-------------|-----------|
| | | SYSTEM NOMINAL (V DC) | MAX VOLTAGE (V DC) | | | | | |
| DCNLB100NB48 | 100 | 48 | 60 | SIDE MOUNT | 48 | Single | No | No |
| DCNLB200NB24 | 200 | 48 | 60 | SIDE MOUNT | 24 | Single | No | No |
| DCNLB200NB48 | 200 | 48 | 60 | SIDE MOUNT | 48 | Single | No | No |
| DCNLB200NB60 | 200 | 48 | 60 | SIDE MOUNT | 60 | Single | No | No |
| DCNLB200NB48-01 | 200 | 48 | 60 | SIDE MOUNT | 48 | Dual | No | No |

Performance Data

| MAIN CONTACT | | |
|------------------------------|----------------|---------------|
| Contact Arrangement | SPST NC | |
| Rated Operating Voltage | 48V DC | |
| Max Short Circuit Current | DCNLB100NB | 400A @ 48V DC |
| | DCNLB200NB | 800A @ 48V DC |
| Dielectric Withstand Voltage | 1000V AC | |
| Insulation Resistance | ≥50MΩ @ 500VDC | |
| Max Voltage Drop | ≤ 50mV @ 100A | |

| COIL DATA | | | |
|-----------------------------------|-----------------|-------|-----|
| Voltage Rating (V DC) | 24 | 48 | 60 |
| Pickup Voltage @ 25°C (V DC MAX) | 15 | 30 | 37 |
| Dropout Voltage @ 25°C (V DC MIN) | 2 | 4 | 5 |
| Hold Current (A) | DCNLB100NB48 | 0.23 | |
| | DCNLB200NB24 | 0.4 | |
| | DCNLB200NB48 | 0.26 | |
| | DCNLB200NB60 | 0.24 | |
| Coil Watts @ 25°C (W) | DCNLB200NB48-01 | 0.12 | |
| | DCNLB100NB48 | 11 | |
| | DCNLB200NB24 | 10 | |
| | DCNLB200NB48 | 12 | |
| | DCNLB200NB60 | 14.5 | |
| Start-Up | DCNLB200NB48-01 | 230/8 | |
| | | 180 | 180 |
| Hold | | 8 | 8 |

| LIFE | |
|-----------------|---------|
| Electrical Life | 3,000 |
| Mechanical Life | 100,000 |

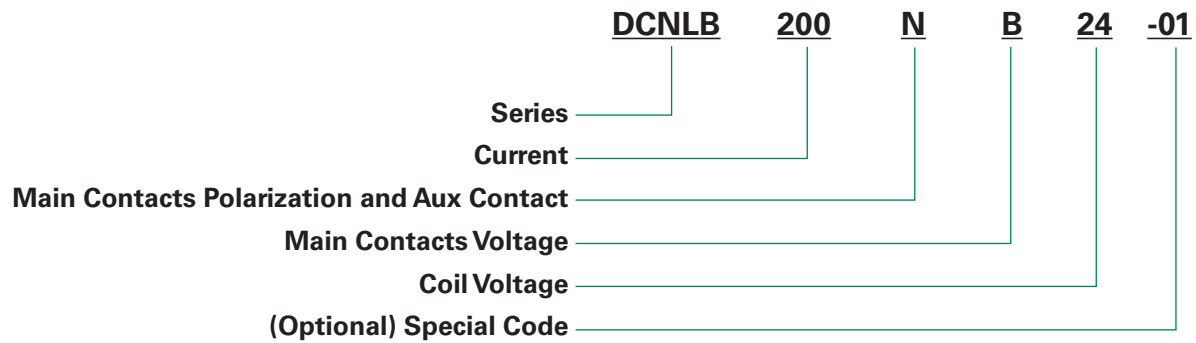
| OPERATE / RELEASE TIME | | |
|------------------------|--------------------------|----|
| Release (ms) | DCNLB100NB DCNLB200NB | 50 |
| | DCNLB200NB48-01 | 30 |

| ENVIRONMENTAL DATA | | |
|-------------------------------|--|-------|
| Shock | 3G | |
| Vibration | 1~50Hz (freq.1~10Hz, amp;.25/f ² ; freq.10~50Hz, ampl.250/f ²) | |
| Operating Ambient Temperature | -40°C~+85°C | |
| Weight (g) | DCNLB100NB | 193.3 |
| | DCNLB200NB | 535 |

DCNLB SERIES

60V DC MAX CONTACTOR RELAY

Part Number System



| MAIN CONTACTS POLARIZATION AND AUX CONTACT | | |
|--|------------|----------------------|
| | POLARIZED? | INCLUDE AUX CONTACT? |
| N: | No | No |

| MAIN CONTACTS VOLTAGE RATING | | |
|------------------------------|----|------|
| B: | 48 | V DC |

| COIL VOLTAGE | | |
|--------------|----|------|
| 24: | 24 | V DC |
| 48: | 48 | V DC |
| 60: | 60 | V DC |