

Datasheet

iCF 1SE3 series

- CF 6.0 standard compatible
- supporting PIO 4/UDMA 6 in True-IDE mode
- Write protection security
- Read disturb management
- Secure Erase
- iPowerGuard
- iDataGuard



Introduction

The Innodisk Industrial CompactFlash® 1SE3 Memory Card (iCF 1SE3) products provide high capacity solid-state flash memory that electrically complies with the True IDE Mode that is electrically compatible with an IDE disk drive. The original CF form factor card can be used in any system that has a CF slot.

Designed to replace traditional rotating disk drives, Innodisk Industrial CompactFlash® 1SE3 Memory Cards are embedded solid-state data storage systems for mobile computing and the industrial work place. The Industrial CompactFlash® features an extremely lightweight, reliable, low-profile form factor. Industrial CompactFlash® 1SE3 (iCF 1SE3) support advanced PIO (0-4), Ultra DMA (0-6) transfer mode, multi-sector transfers, and LBA addressing. Furthermore, the 1SE3 series support iPowerGuard with voltage power-down detection for full power-down robustness

iCF 1SE3 series

Contact us for more information
about the iCF 1SE3

Innodisk is a service-driven provider of industrial embedded flash and DRAM storage products and technologies, with a focus on the cloud computing, industrial/embedded, and aerospace and defense industries.

Headquarters (Taiwan)

5F., No.237, Sec. 1, Datong Rd.,
Xizhi Dist., New Taipei City 221,
Taiwan (R.O.C.)

Tel: +886-2-77033000
Email: sales@innodisk.com

Branch Offices:

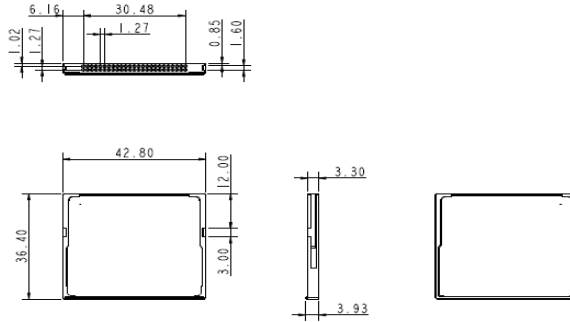
USA
usasales@innodisk.com
+1-510-770-9421
Europe
eusales@innodisk.com
+31-40-3045-400
Japan
jpsales@innodisk.com
+81-3-6667-0161
China
sales_cn@innodisk.com
+86-755-21673689

www.innodisk.com

© 2021 Innodisk Corporation.
All right reserved. Specifications
are subject to change without
prior notice.

20210510

Drawing



Specifications

Interface	PATA
Flash Type	SLC
Capacity	128MB~64GB
Max. Channels	2
Sequential R/W (MB/sec, max.)	60/50
Max. Power Consumption	0.7W
Thermal Sensor	✓
H/W Write Protect	Optional*
ATA Security	✓
S.M.A.R.T.	✓
Dimension (WxLxH)	42.8X 36.4 X 3.3 mm
Environment	Vibration: 20G @7~2000Hz Shock: 1500G @ 0.5ms Storage Temperature: -40°C ~ +85°C MTBF: 3 million hours

Ordering Information

Operation Temp.	1GB	2GB	4GB	8GB	16GB	32GB	64GB
Standard Grade (0°C ~ +70°C)	DECFC-01GYA2AC2%B (W)	DECFC-02GYA2AC2%B (W)	DECFC-04GYA2AC2%B (W)	DECFC-08GYA2AC2DB (W)	DECFC-16GYA2AC2DB (W)	DECFC-32GYA2AC2DB (W)	DECFC-64GYA2AC2DB (W)
Industrial Grade (-40°C ~ +85°C)	DECFC-01GYA2AW2%B (W)	DECFC-02GYA2AW2%B (W)	DECFC-04GYA2AW2%B (W)	DECFC-08GYA2AW2DB (W)	DECFC-16GYA2AW2DB (W)	DECFC-32GYA2AW2DB (W)	DECFC-64GYA2AW2DB (W)

Operation Temp.	128MB	256MB	512MB
Standard Grade (0°C ~ +70°C)	DECFC-128YA1AC2SB	DECFC-256YA1AC2%B	DECFC-512YA1AC2%B
Industrial Grade (-40°C ~ +85°C)	DECFC-128YA2AW2SB	DECFC-256YA2AW2%B	DECFC-512YA2AW2%B

*H/W write protect function is optional.

(For the write protect demand, please place the order by PN: DECFC-xxxYA2Ax2DB(W))

* 256MB to 4GB have both single & dual channel design

innodisk

www.innodisk.com