

Datasheet

mSATA

3TE7 series

- mSATA SATA III solution for industrial field
- High IOPS
- iSMART disk health monitoring
- iPower Guard for protecting unstable start up and shut down.
- iData Guard for abnormal power failure



Introduction

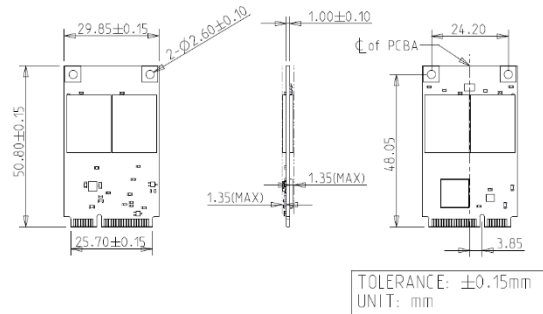
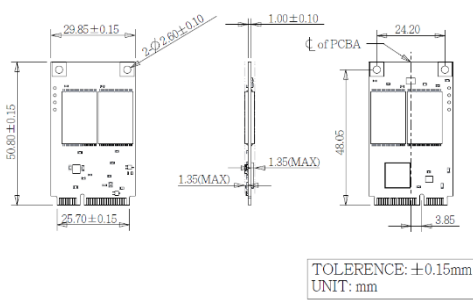
Innodisk mSATA 3TE7 is SATA III 6.0 Gb/s flash based disk, which adopts latest SATA III NAND controller with Innodisk's exclusive L³ FW architecture. The upgraded L³ FW architecture, combining Innodisk signature 4K mapping algorithm L² FW architecture with powerful LDPC technology, makes 3TE7 series have outstanding high IOPS, better data integrity and extended lifespan through reducing the bad block number happening. Built-in thermal sensor and iData Guard ensure data integrity and reliability of mSATA 3TE7 for industrial applications.

mSATA SSD 3TE7 series

Diagram

For 32GB~512GB

For 1TB~2TB



Contact us for more information about the mSATA 3TE7.

Innodisk is a service-driven provider of industrial embedded flash and DRAM storage products and technologies, with a focus on the industrial/embedded, aerospace and defense, and cloud computing industries.

Specifications

Headquarters (Taiwan)

5F., No.237, Sec. 1, Datong Rd., Xizhi Dist., New Taipei City, Taiwan (R.O.C.)
Tel: +886-2-77033000
Email: sales@innodisk.com

Branch Offices:

USA
usasales@innodisk.com
+1-510-770-9421
Europe
eusales@innodisk.com
+31-40-3045-400
Japan
jpsales@innodisk.com
+81-3-6667-0161
China
sales_cn@innodisk.com
+86-755-21673689
www.innodisk.com

© 2018 Innodisk Corporation.
All right reserved. Specifications are subject to change without prior notice.

| | |
|--|--|
| Interface | SATA III |
| Flash Type | 3D TLC |
| Capacity | 32GB~2TB |
| Max. Channels | 4 |
| Sequential R/W (MB/sec, max.)* | 560 / 520 MB/s |
| 4KB Random (QD32) R/W (IOPS)* | 83,000/75,000 |
| Max. Power Consumption | 2W |
| Thermal Sensor | √ |
| External DRAM Buffer | - |
| H/W Write Protect | Optional |
| ATA Security | √ |
| S.M.A.R.T. | √ |
| Dimension (WxLxH) | 29.85 X 50.8 X 3.7 mm |
| Environment | Vibration: 20G @ 7~2000Hz Shock: 1500G @ 0.5ms Storage Temperature: -40°C ~ +85°C MTBF: 3 million hours |
| * Performance based on CrystalDiskMark 6.0.2 with file size 1000MB | |

Ordering Information (Please refer to TPS for detail)

| Operation Temp. | 32GB | 64GB | 128GB | 256GB | 512GB | 1TB | 2TB |
|-------------------------------------|-------------------|-------------------|-------------------|-------------------|-------------------|-------------------|-------------------|
| Standard Grade (0°C ~ +70°C) | DEMSR-32GDK1EC1SL | DEMSR-64GDK1%C1SL | DEMSR-A28DK1%C1DL | DEMSR-B56DK1%C1QL | DEMSR-C12DK1%C*QL | DEMSR-01TDK1GCAQL | DEMSR-02TDK1GCAQQ |
| Wide-Temp. Grade (-20°C ~ +85°C) | NA | DEMSR-64GDK1GW1SL | DEMSR-A28DK1GW1DL | DEMSR-B56DK1GW1QL | DEMSR-C12DK1GW1QL | DEMSR-01TDK1GWAQL | DEMSR-02TDK1GWAQQ |

%. E: 64 layers 3D TLC; G: 96 layers 3D TLC

*. PCB version control

innodisk

www.innodisk.com