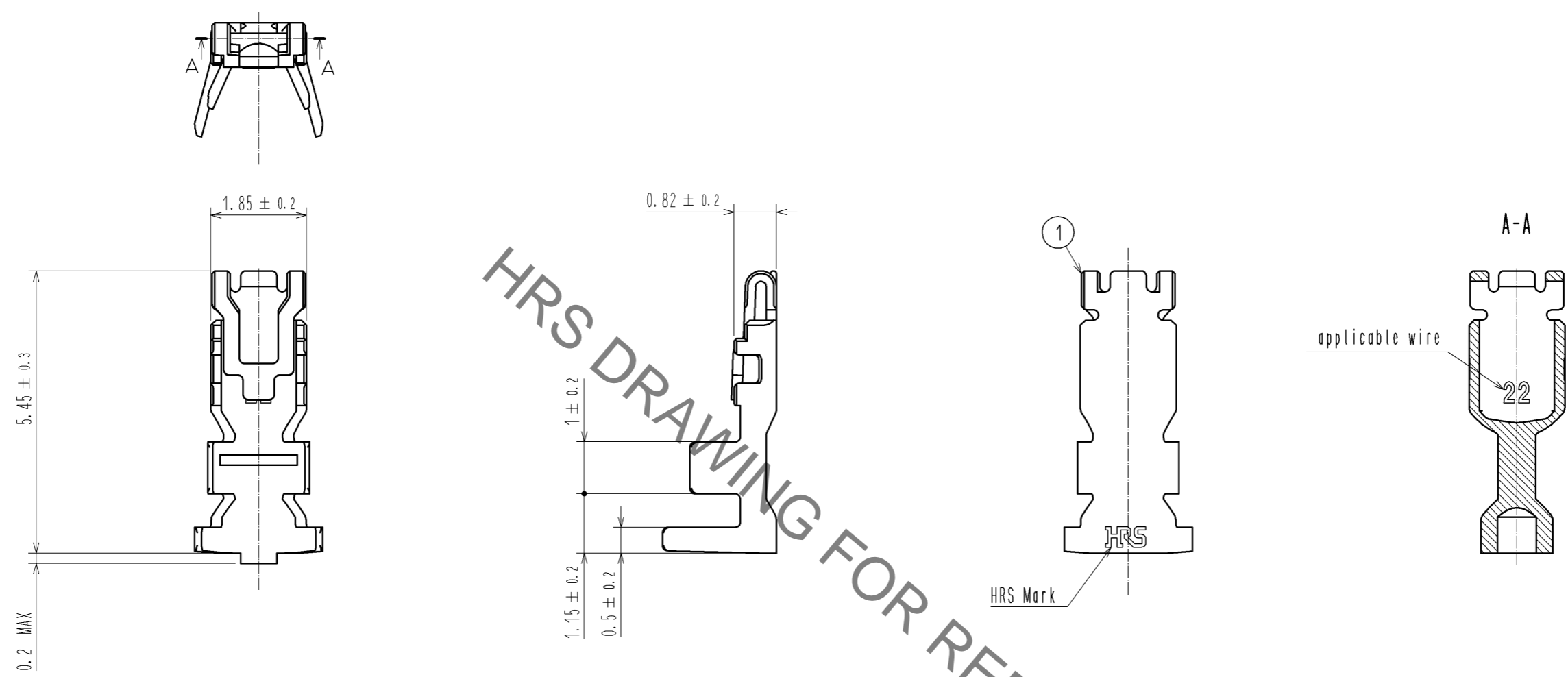


Jan.1.2022 Copyright 2022 HIROSE ELECTRIC CO., LTD. All Rights Reserved.
 In case of consideration for using Automotive equipment / device which demand high reliability, kindly contact our sales window correspondents.



HRS DRAWING FOR REFERENCE

- Notes
- 1Pack : 100 contacts.
 - Always refer to the manuals below for operation of this product.
 For Cable assembly / Cable assembly procedure ETAD-H0778
 For Mating/Unmating / Operation manual ETAD-H0779

NO.	MATERIAL	FINISH .	REMARKS	NO.	MATERIAL	FINISH .	REMARKS
				1	Copper Alloy		Surface :Tin plating 1μm MIN

UNITS	SCALE	COUNT	DESCRIPTION OF REVISIONS	DESIGNED	CHECKED	DATE
mm	10 : 1	△				
HIROSE ELECTRIC CO., LTD.			APPROVED : KI. AKIYAMA	14.08.01	DRAWING NO. EDC3-358515-01	
			CHECED : HK. UMEHARA	14.08.01	PART NO. DF59M-2224PC	
			DESIGNED : SZ. ONO	14.08.01	CODE NO. CL667-0044-3-00	
			DRAWN : SZ. ONO	14.08.01	△ 1/1	