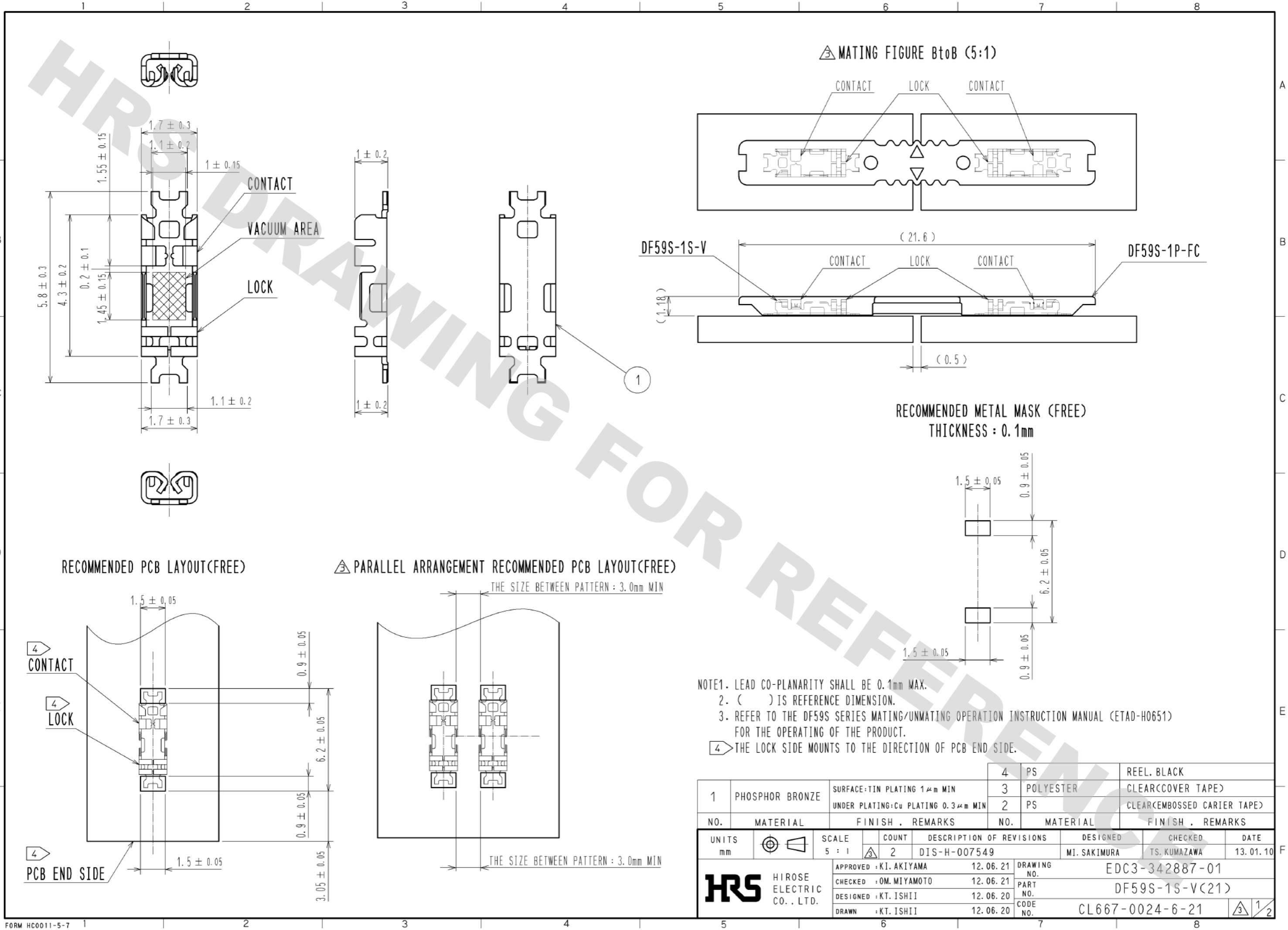
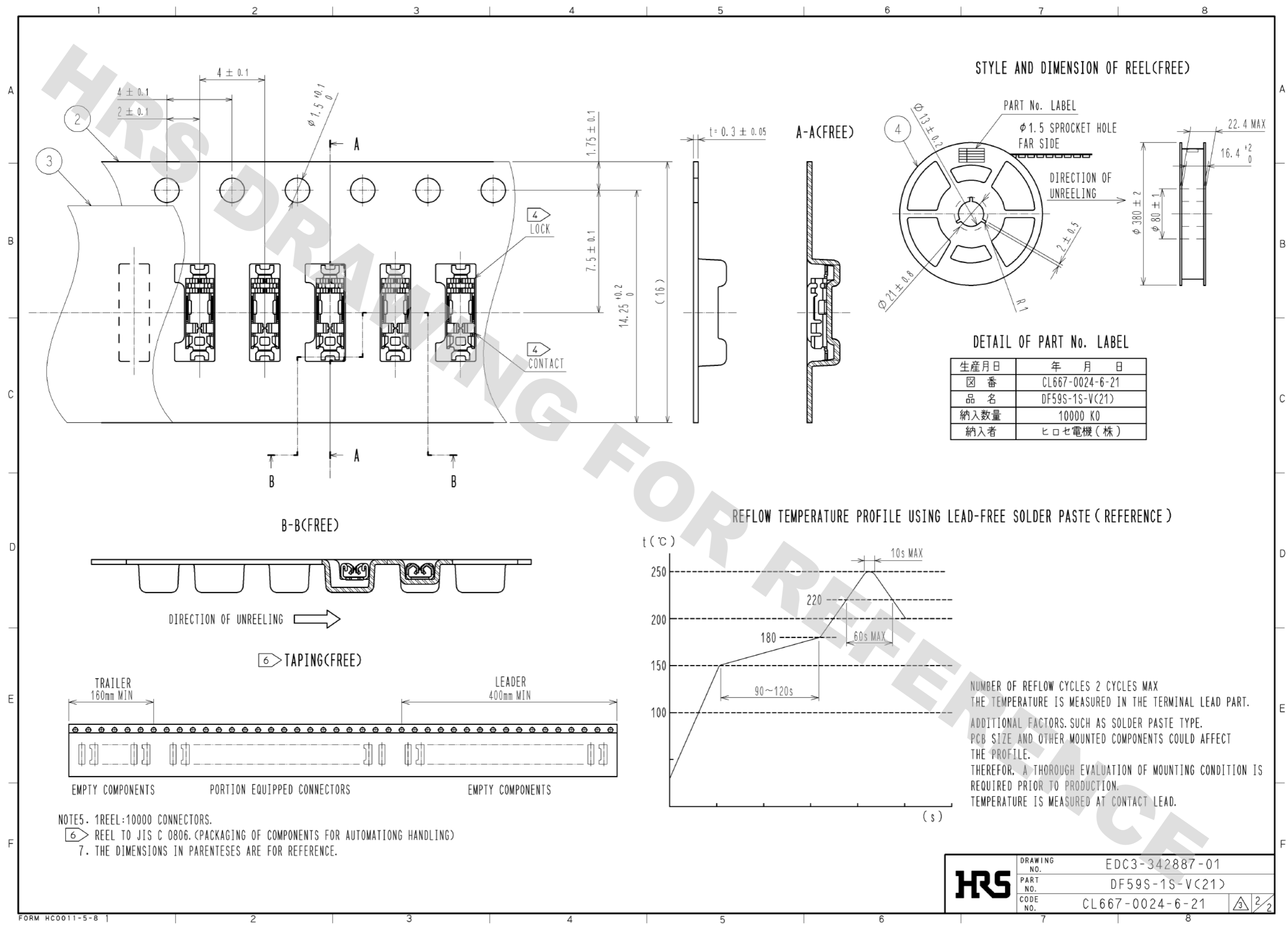


DRAWING FOR REFERENCE: This is subject to change without notice  
05/31/2013



DRAWING FOR REFERENCE: This is subject to change without notice  
05/31/2013



NOTE5. 1REEL:10000 CONNECTORS.  
 6 REEL TO JIS C 0806. (PACKAGING OF COMPONENTS FOR AUTOMATING HANDLING)  
 7. THE DIMENSIONS IN PARENTHESES ARE FOR REFERENCE.

<b>HRS</b>	DRAWING NO.	EDC3-342887-01
	PART NO.	DF59S-1S-V(21)
	CODE NO.	CL667-0024-6-21
		2/2