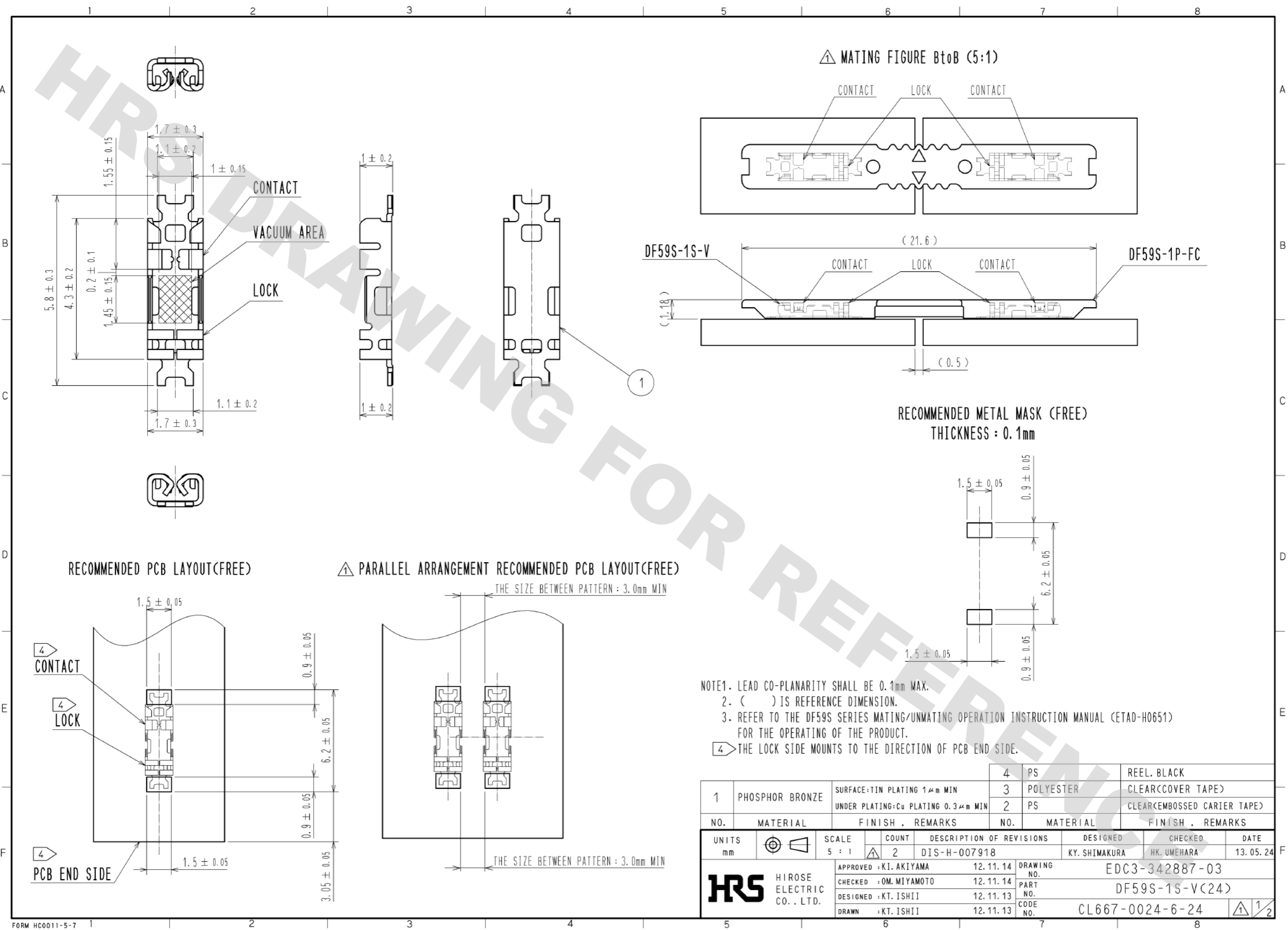


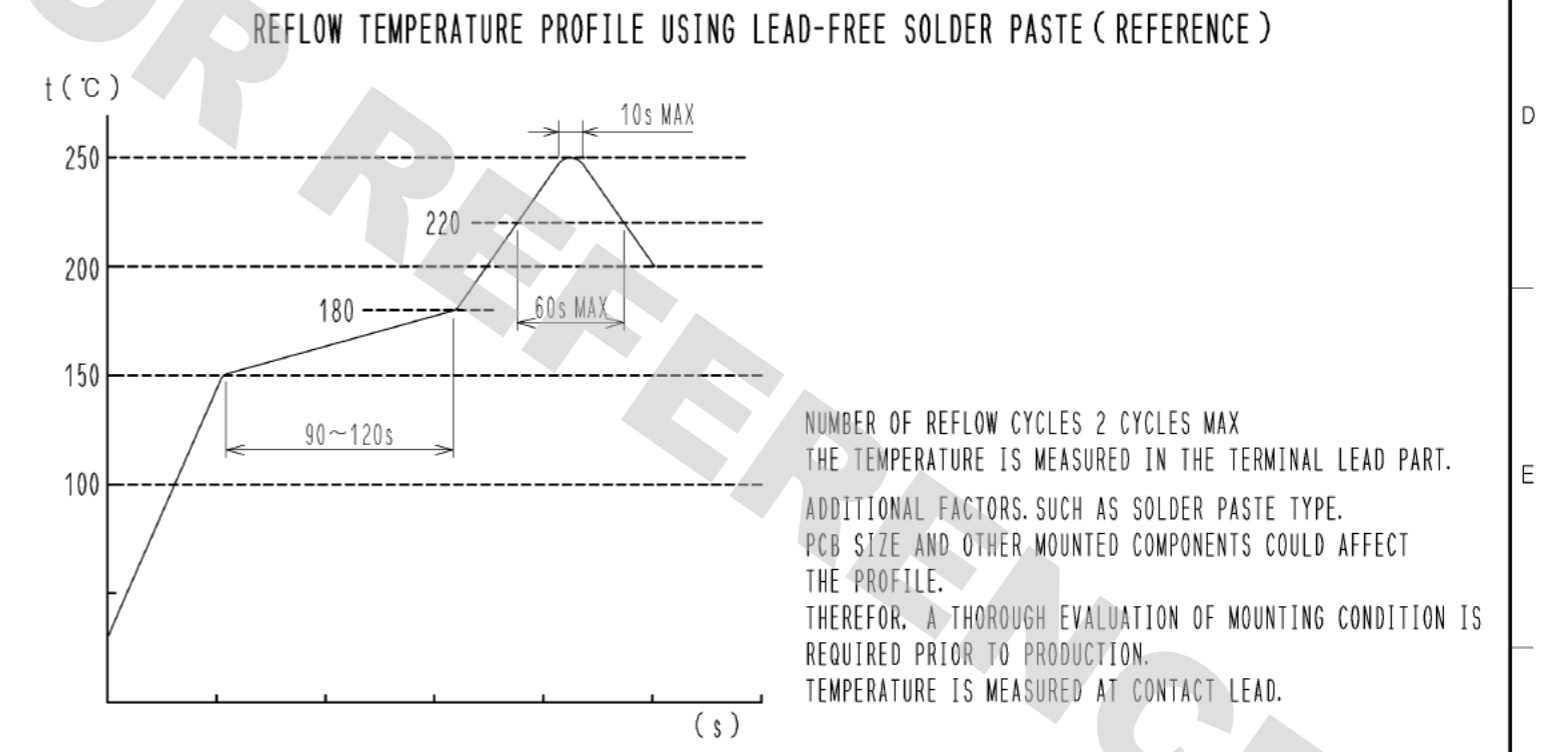
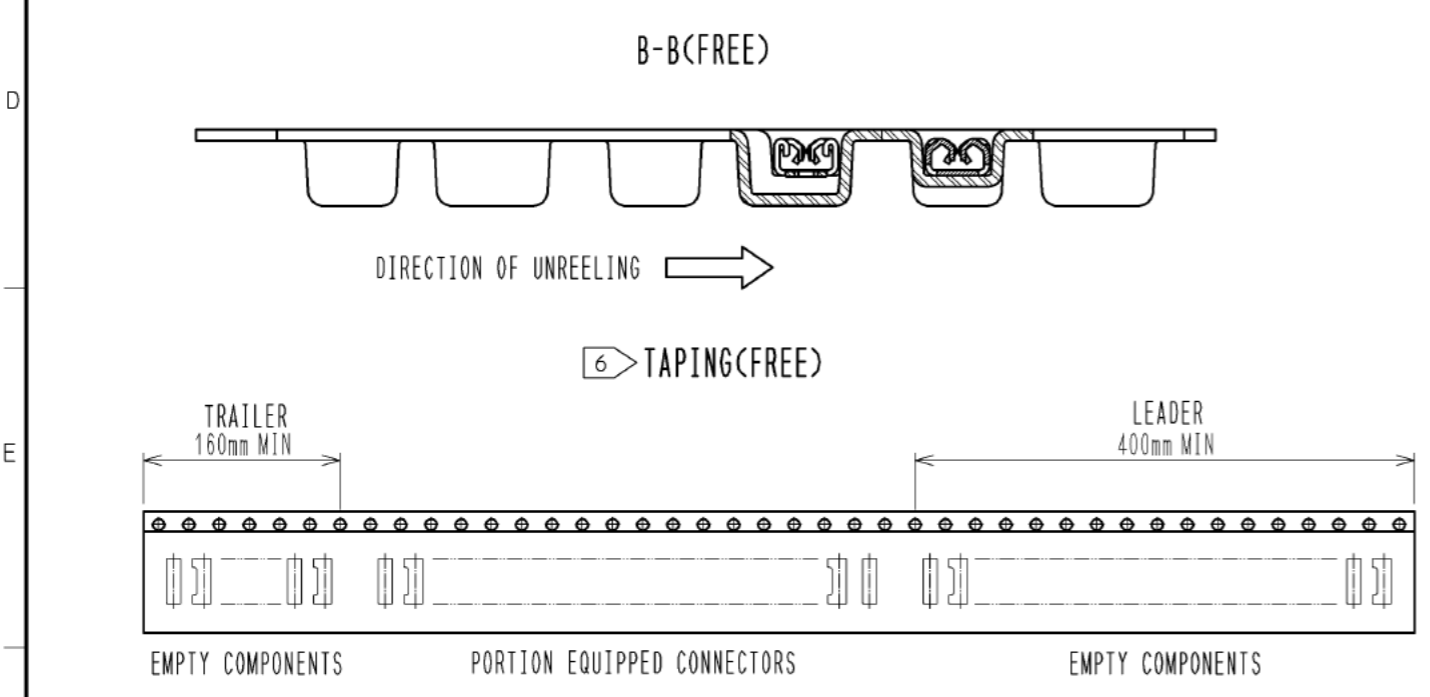
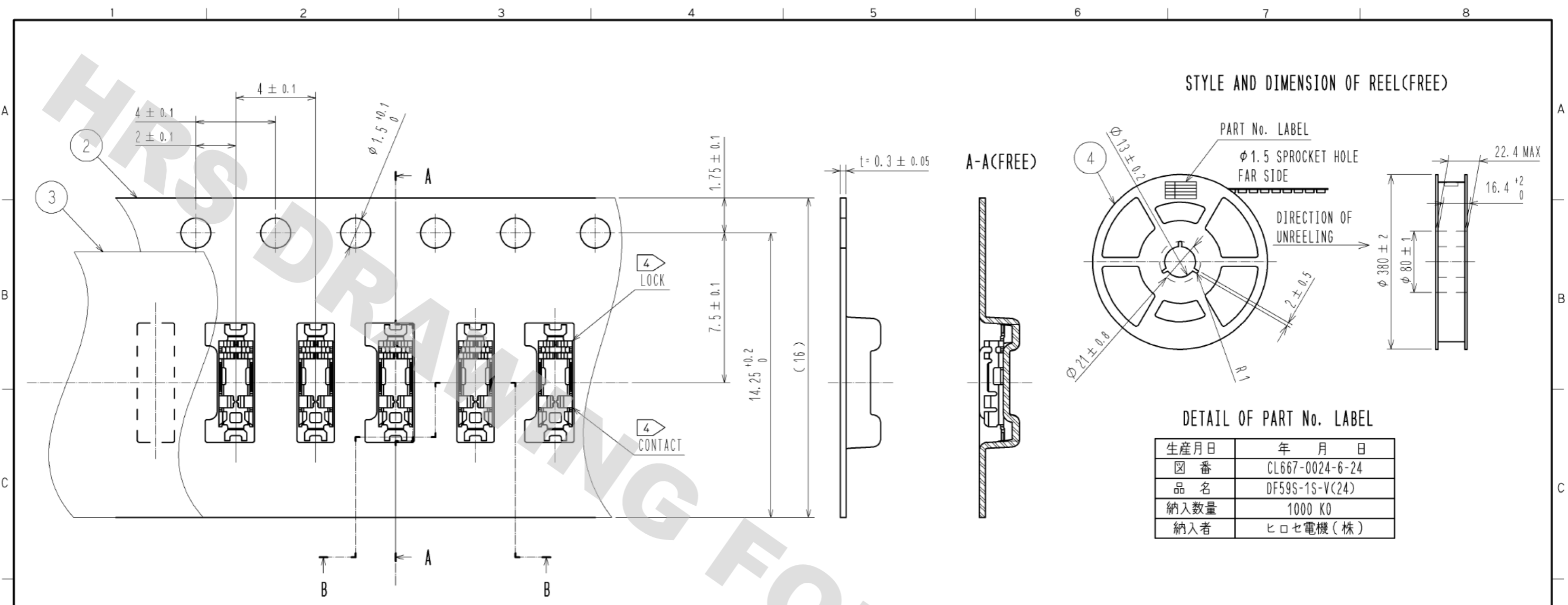
DRAWING FOR REFERENCE: This is subject to change without notice
05/31/2013



NOTE1. LEAD CO-PLANARITY SHALL BE 0.1mm MAX.
 2. () IS REFERENCE DIMENSION.
 3. REFER TO THE DF59S SERIES MATING/UNMATING OPERATION INSTRUCTION MANUAL (ETAD-H0651) FOR THE OPERATING OF THE PRODUCT.
 4 THE LOCK SIDE MOUNTS TO THE DIRECTION OF PCB END SIDE.

1	PHOSPHOR BRONZE	SURFACE:TIN PLATING 1μm MIN UNDER PLATING:Cu PLATING 0.3μm MIN	4 PS 3 POLYESTER 2 PS	REEL. BLACK CLEAR(COVER TAPE) CLEAR(EMBOSSED CARRIER TAPE)				
NO.	MATERIAL	FINISH . REMARKS	NO.	MATERIAL	FINISH . REMARKS			
UNITS mm		SCALE 5 : 1	COUNT 2	DESCRIPTION OF REVISIONS		DESIGNED KY. SHIMAKURA	CHECKED HK. UMEHARA	DATE 13.05.24
HRS HIROSE ELECTRIC CO., LTD.		APPROVED : KI. AKIYAMA 12.11.14	DRAWING NO. EDC3-342887-03		PART NO. DF59S-1S-V(24)		CODE NO. CL667-0024-6-24	
		CHECKED : OM. MIYAMOTO 12.11.14						
		DESIGNED : KT. ISHII 12.11.13						
		DRAWN : KT. ISHII 12.11.13						

DRAWING FOR REFERENCE: This is subject to change without notice
05/31/2013



NOTE5. 1REEL:1000 CONNECTORS.
6 REEL TO JIS C 0806. (PACKAGING OF COMPONENTS FOR AUTOMATING HANDLING)
7. THE DIMENSIONS IN PARENTHESES ARE FOR REFERENCE.

HRS	DRAWING NO.	EDC3-342887-03
	PART NO.	DF59S-1S-V(24)
	CODE NO.	CL667-0024-6-24
		2/2