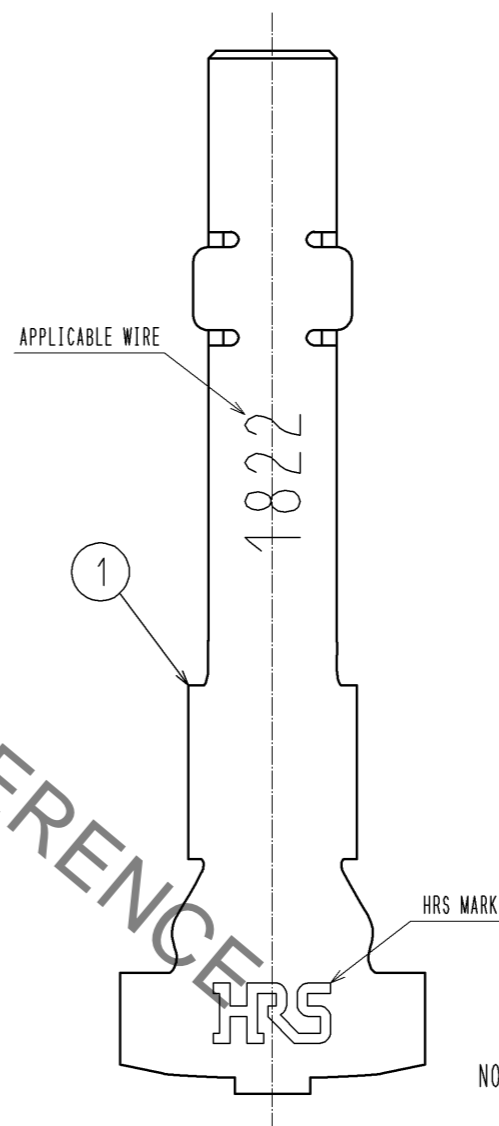
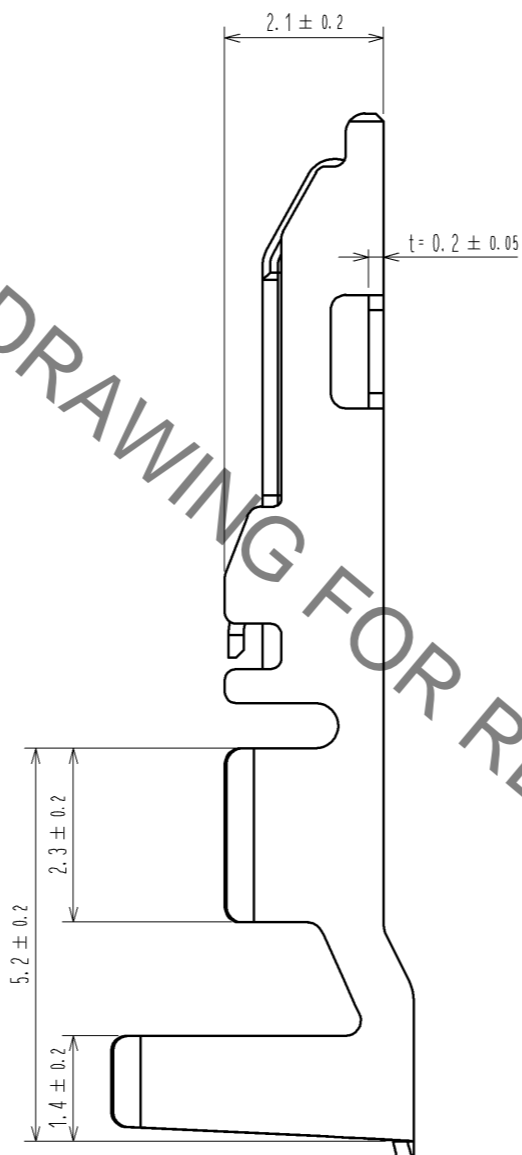
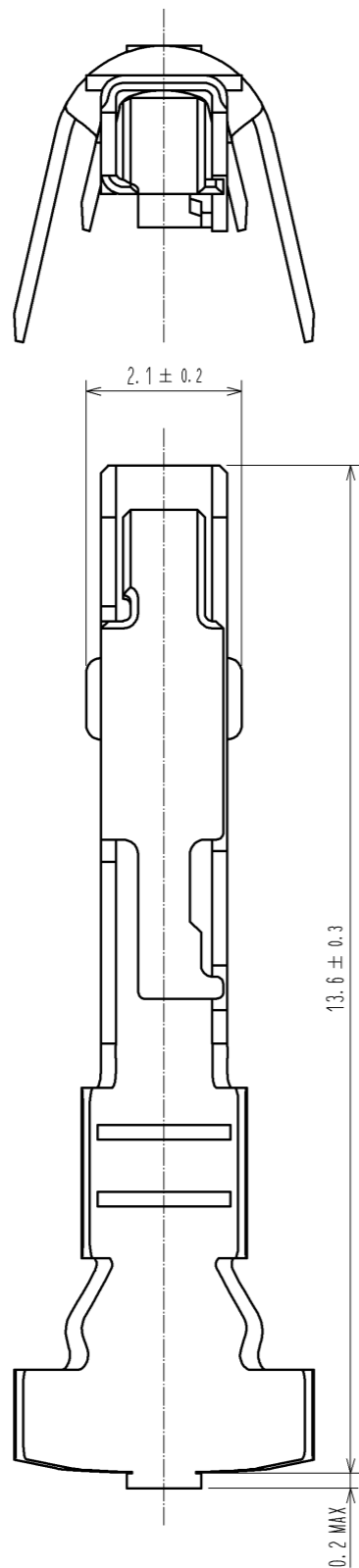


Dec.1.2020 Copyright 2020 HIROSE ELECTRIC CO., LTD. All Rights Reserved.
 In case of consideration for using Automotive equipment / device which demand high reliability, kindly contact our sales window correspondents.



HRS DRAWING FOR REFERENCE

- NOTE 1. 1PACK:100 CONTACTS.
 2. () IS REFERENCE DIMENSION.
 3. UL/c-UL(FILE NO.E52653) APPROVED PRODUCT.



NO.	MATERIAL	FINISH . REMARKS	NO.	MATERIAL	FINISH . REMARKS
			1	PHOSPHOR BRONZE	SURFACE:TIN-PLATING 1μm MIN.

UNITS	SCALE	COUNT	DESCRIPTION OF REVISIONS	DESIGNED	CHECKED	DATE
mm	10 : 1	△				
HRS HIROSE ELECTRIC CO., LTD.		APPROVED : KI. AKIYAMA	14. 02. 26	DRAWING NO. EDC3-351924-00		
		CHECKED : OM. MIYAMOTO	14. 02. 26	PART NO. DF64-1822PC		
		DESIGNED : TS. MIYAKI	14. 02. 26	CODE NO. CL667-1008-5-00		
		DRAWN : TS. MIYAKI	14. 02. 26	△ 1/1		