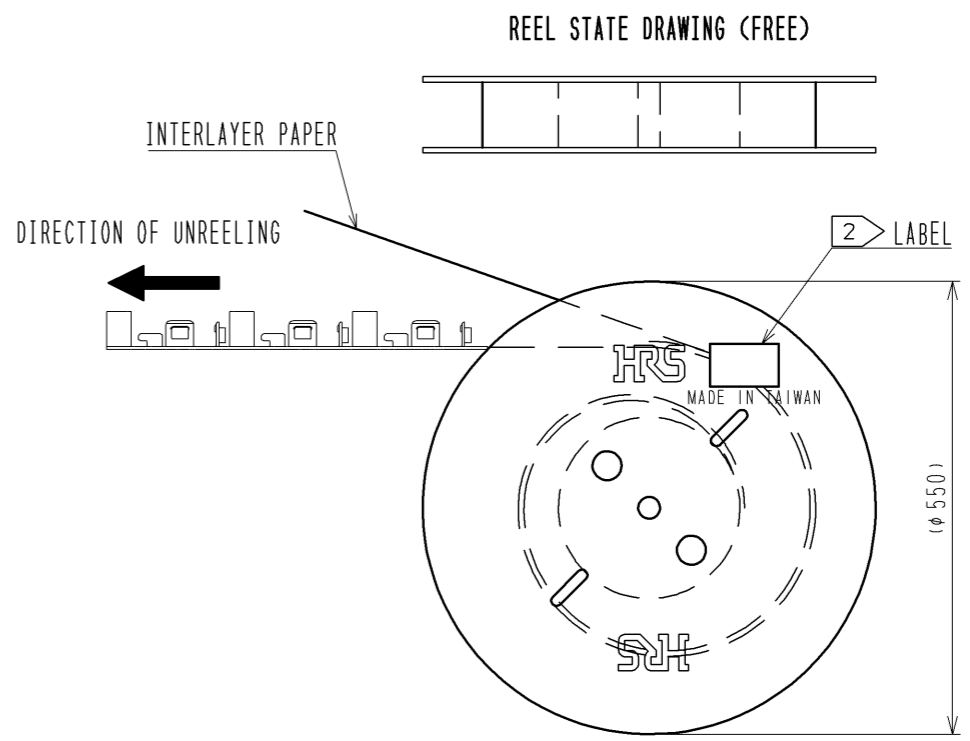
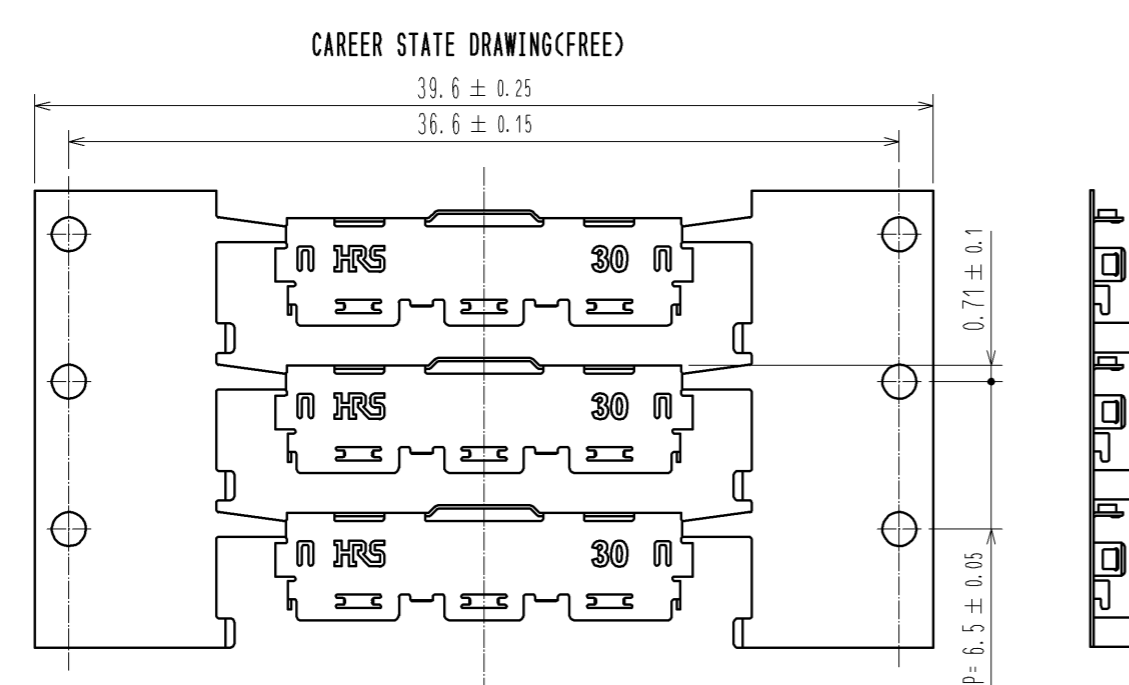
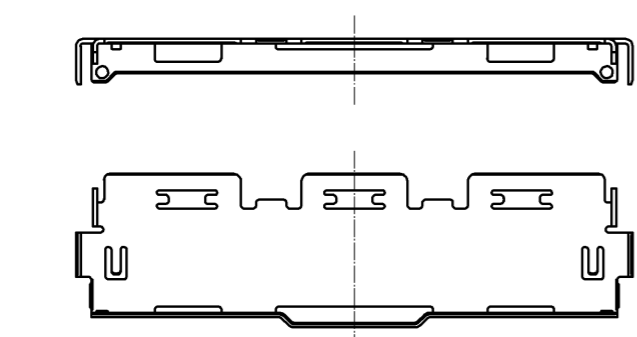
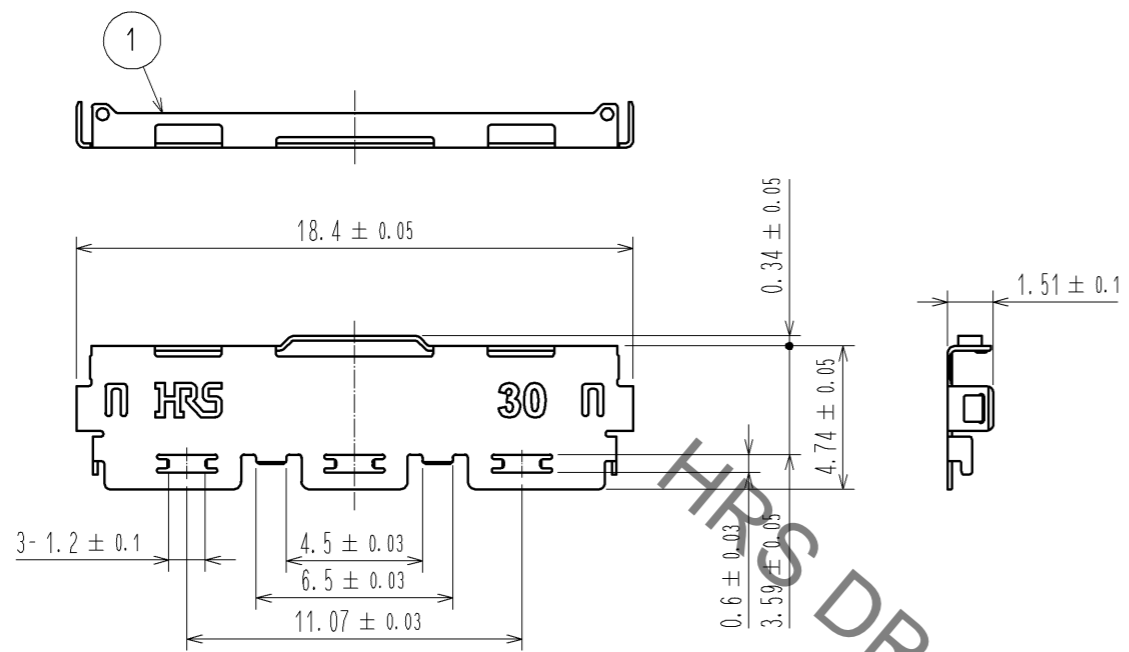


Jan.1.2022 Copyright 2022 HIROSE ELECTRIC CO., LTD. All Rights Reserved.
 In case of consideration for using Automotive equipment / device which demand high reliability, kindly contact our sales window correspondents.



NOTES
 1. PER REEL:10000 COMPONENTS
 2. DETAILS OF THE LABEL ARE SHOWN BELOW.
 3. THE ASSEMBLY IS COMPLETED BY COMBINING TWO PARTS 'CONNECTOR UNIT, AND METAL SHIELDING'. REFER TO THE TABLE FOR EACH ITEM No. PART NAME, PART No AND CODE No.

2 LABEL DETAILS

HRS		INSPECTION 検査
CODE No. 品名コード	CL662-8006-6	
PART NO. 品名	DF80-30P-SHL	
QTY 数量	10,000 PCS	
PECULIAR 仕様		
Lot No		
SPLICE 継ぎ目		

3

ITEM No.	PART NAME	PART No.	CODE No.
-	CONNECTOR UNIT	DF80D-30P-0.5SD(51)	CL662-8018-5-51
1	METAL SHIELDING	DF80-30P-SHL	CL662-8006-6-00

NO.	MATERIAL	FINISH . REMARKS	NO.	MATERIAL	FINISH . REMARKS
			1	STAINLESS	WHOLE AREA : Sn PLATING 1μmMIN UNDER PLATING : Ni PLATING 0.2μmMIN

UNITS mm	SCALE FREE	COUNT 1	DESCRIPTION OF REVISIONS DIS-D-003054	DESIGNED IO. DENPOUYA	CHECKED MH. TSUCHIDA	DATE 13.10.22
HRS	APPROVED : TS. SAKATA	12.04.18	DRAWING NO. EDC3-338298-01			
	CHECED : TS. SAKATA	12.04.18				
	DESIGNED : IO. DENPOUYA	12.04.18				
	DRAWN : IO. DENPOUYA	12.04.18				
			PART NO. DF80-30P-SHL			
			CODE NO. CL662-8006-6-00			