



*ConnectCore™ 9P 9215, Wi-9P  
9215, and 3G 9P 9215*

*Hardware Reference*

90000879\_R

Updated on: 5/22/14

©2013 Digi International Inc.  
All rights reserved.

Digi, Digi International, the Digi logo, a Digi International Company, Digi JumpStart Kit, ConnectCore, NET+, NET+OS, NS9215, XBee, and Digi ESP are trademarks or registered trademarks of Digi International, Inc. in the United States and other countries worldwide. All other trademarks are the property of their respective owners.

Information in this document is subject to change without notice and does not represent a commitment on the part of Digi International.

Digi provides this document "as is," without warranty of any kind, either expressed or implied, including, but not limited to, the implied warranties of fitness or merchantability for a particular purpose. Digi may make improvements and/or changes in this manual or in the product(s) and/or the program(s) described in this manual at any time.

This product could include technical inaccuracies or typographical errors. Changes are periodically made to the information herein; these changes may be incorporated in new editions of the publication.

# Using this Guide

---

This guide provides information about the Digi ConnectCore 9P 9215 Family of embedded core modules.

## Conventions used in this guide

This table describes the typographic conventions used in this guide:

This convention	Is used for
<i>italic type</i>	Emphasis, new terms, variables, and document titles.
monospaced type	Filenames, pathnames, and code examples.

## Digi information

---

### Documentation updates

Please always check the product specific section on the Digi support website for the most current revision of this document: [www.digiembedded.com/support/](http://www.digiembedded.com/support/).

### Customer support

For more information about your Digi product(s), or for customer service and technical support, contact Digi international.

To contact Digi International by	Use
Mail	Digi International 1101 Bren Road East Minnetonka, MN 55343 U.S.A.
World Wide Web	<a href="http://www.digiembedded.com/support/">http://www.digiembedded.com/support/</a>
email	<a href="mailto:www.digiembedded.com/support/">http://www.digiembedded.com/support/</a>
Telephone (U.S.)	(952) 912-3444 or (877) 912-3444
Telephone (other locations)	+1 (952) 912-3444 or (877) 912-3444

# Contents

---

Customer support .....	3
<b>Chapter 1: About the Module .....</b>	<b>12</b>
About the Software .....	13
Digi Embedded Linux and NET+OS .....	14
Module pinout .....	14
<i>Pinout legend: Type</i> .....	14
<i>X1 pinout</i> .....	14
<i>X2 pinout</i> .....	17
Configuration pins – CPU .....	25
<i>Default module CPU configuration</i> .....	25
Configuration pins – Module .....	25
<i>Identification of the module</i> .....	25
<i>Module pin configuration</i> .....	26
Clock generation .....	27
<i>Clock frequencies</i> .....	27
<i>Changing the CPU speed</i> .....	28
Boot process .....	28
Chip selects .....	29
<i>Chip select memory map</i> .....	29
SDRAM banks .....	29
Multiplexed GPIO pins .....	30
<i>Pin notes</i> .....	30
<i>GPIO multiplex table</i> .....	30

Module LEDs .....	35
<i>ConnectCore 9P 9215 LEDs</i> .....	35
<i>ConnectCore Wi-9P 9215 LEDs</i> .....	35
<i>External interrupts</i> .....	36
Interfaces .....	37
<i>10/100 Mbps Ethernet port</i> .....	37
<i>UART</i> .....	37
<i>SPI</i> .....	37
<i>I<sup>2</sup>C bus</i> .....	38
<i>RTC</i> .....	38
<i>WLAN</i> .....	38
<i>ADC</i> .....	38
<i>FIM</i> .....	38
<i>External Address/Data Bus</i> .....	38
<i>Antenna</i> .....	39
ConnectCore Wi-9P 9215 WLAN .....	39
WLAN Antenna Switch .....	40
Power .....	40
<i>Power supply</i> .....	40
<i>Internal voltage</i> .....	40
Digi Plug-and-Play Firmware .....	41
Module pinout .....	41
<i>Pinout legend: Type</i> .....	41
<i>X1 pinout</i> .....	41
<i>X2 pinout</i> .....	44
Configuration pins – Module .....	49
<i>Module pin configuration Dipswitch S4</i> .....	49
Connector X2 Pins Available for a Python Application .....	50
Multiplexed GPIO Pins .....	51
Module LEDs .....	54
<i>External Interrupts</i> .....	54
Interfaces .....	55
<i>10/100 Mbps Ethernet port</i> .....	55
<i>UART</i> .....	55

*RTC* ..... 56  
*WLAN* ..... 56  
*WWAN* ..... 56  
*FIM* ..... 56  
*USB Host* ..... 57  
*Antenna* ..... 57

ConnectCore Wi-9P 9215 WLAN ..... 58

WLAN Antenna Switch ..... 58

ConnectCore 3G 9P 9215 WWAN ..... 59

Power ..... 61

*Power supply* ..... 61  
    *Internal voltage* ..... 61

**Chapter 2: About the Development Board ..... 62**

    What's on the Development Board? ..... 62

    ConnectCore 3G 9P 9215 Specifics..... 63

User interface ..... 64

Switches and Pushbuttons ..... 65

    Reset control, S3 ..... 65

    Power switch, S2 ..... 65

    User pushbuttons, S6 and S7 ..... 66

    Legend for multi-pin switches ..... 66

    Module configuration switches, S4 ..... 66

    Wake-up button, S8 ..... 66

    Serial Port B MEI configuration switches, S1 ..... 67

Jumpers ..... 68

    Jumper functions ..... 69

Battery and Battery Holder ..... 69

LEDs ..... 70

    WLAN LED LE7 ..... 70

Power LEDs, LE3 and LE4 .....	70
User LEDs, LE5 and LE6 .....	71
Serial status LEDs .....	71
Status LEDs Serial Port D LEDs .....	71
Status LEDs Serial Port B LEDs .....	71
Serial UART Ports .....	72
Serial port D, RS232 .....	73
Serial port A, TTL interface .....	73
Serial port A, XBee socket .....	74
Serial port C, TTL interface .....	75
Serial port B, MEI interface .....	76
I <sup>2</sup> C Interface .....	77
I <sup>2</sup> C header .....	77
I <sup>2</sup> C digital I/O expansion .....	78
SPI Interface .....	79
Pin allocation .....	80
Current Measurement Option .....	81
How the CMO works .....	81
JTAG Interface .....	82
Standard JTAG ARM connector, X13 .....	83
PoE module connectors - IEEE802.3af .....	84
The 802.3af PoE Application Kit .....	85
X9 .....	85
X26 .....	85
POE_GND .....	86
Power Jack, X24 .....	86



Ethernet Interface .....	87
RJ-45 pin allocation, X19 .....	88
LEDs .....	88
WLAN Interface .....	89
WWAN Interface .....	90
SIM Installation .....	91
Peripheral (Expansion) Headers .....	92
Peripheral application header, X33 .....	93
Module and Test Connectors .....	94
Module connectors .....	94
Test connectors .....	94
X10 pinout .....	95
X11 pinout .....	96
X20 pinout .....	97
X21 pinout .....	98
<b>Appendix A: Specifications .....</b>	<b>99</b>
Mechanical Information .....	99
ConnectCore 9P 9215 .....	99
ConnectCore Wi-9P 9215 .....	99
ConnectCore 3G 9P 9215 .....	100
Network Interface .....	100
Ethernet .....	100
WLAN Interface .....	100
WWAN Interface .....	102
Environmental Information .....	104
ConnectCore 9P 9215 .....	104



ConnectCore Wi-9P 9215 & ConnectCore 3G 9P 9215 .....	104
Thermal Specifications .....	105
Additional design suggestions .....	107
Safety Statements .....	108
Power Requirements .....	109
ConnectCore 9P 9215 .....	109
ConnectCore Wi-9P 9215 .....	109
ConnectCore 3G 9P 9215 .....	109
IEEE802.11 a/b/g WLAN .....	110
WWAN Activity .....	110
ConnectCore 9P 9215 and ConnectCore Wi-9P 9215 Typical Power Save Current/Power Measurements .....	111
ConnectCore 9P 9215 .....	111
ConnectCore Wi-9P 9215 .....	111
ConnectCore 3G 9P 9215 Typical Power Save Current /Power Measurements .....	112
ConnectCore 3G 9P 9215 .....	112
Typical Module Current/Power Measurements .....	113
ConnectCore 9P 9215 .....	113
ConnectCore Wi-9P 9215 .....	113
Layout Recommendation .....	114
ConnectCore 9P 9215 .....	114
Top, bottom and side views .....	114
Extended Footprint Option .....	115
ConnectCore Wi-9P 9215 .....	116
Top view .....	116
Bottom view .....	117



Side view .....	117
ConnectCore 3G 9P 9215 .....	118
Topview .....	118
Bottom view .....	119
Side view .....	119
Reset and Edge Sensitive Input Timing Requirements .....	120
ConnectCore Wi-9P 9215 Antenna Specifications: 2 dBi Dipole .....	121
Attributes .....	121
Dimensions .....	121
Antenna strength (radiation pattern) diagram .....	122
ConnectCore Wi-9P 9215 Antenna Specifications: 5.5 dBi Dipoles .....	123
Attributes .....	123
Dimensions .....	123
Radiation pattern: H-Plane (2.0 and 5.0 GHz) .....	124
Radiation pattern: E-plane (2.0 and 5.0 GHz) .....	125
ConnectCore 3G 9P 9215 Cellular Antenna .....	126
Attributes .....	126
Dimensions .....	126
ConnectCore 3G 9P 9215 GPS Antenna .....	127
Attributes .....	127
<b>Appendix B: Certifications .....</b>	<b>128</b>
FCC Part 15 Class B .....	128
Radio Frequency Interface (RFI) (FCC 15.105) .....	128
Labeling Requirements (FCC 15.19) .....	129
RF Exposure .....	129
Modifications (FCC 15.21) .....	129

Industry Canada .....	129
Indoor/Outdoor .....	130
Declaration of Conformity .....	130
Qualcomm Gobi 3000 Module Certifications .....	131
International EMC Standards .....	132
<b>Appendix C: Change Log .....</b>	<b>133</b>
Revision B .....	133
Revision C .....	133
Revision D .....	133
Revision E .....	134
Revision F .....	134
Revision G .....	134
Revision H .....	134
Revision I .....	134
Revision J .....	134
Revision K .....	134
Revision L .....	134
Revision M .....	135
Revision N .....	135
Revision P .....	135
Revision R .....	135

# About the Module

## C H A P T E R 1

The ConnectCore 9P 9215 Family of modules delivers powerful network-enabled core processor solutions with up to 16 MB of NOR flash, up to 32 MB SDRAM, a rich set of integrated peripherals, and superior design flexibility.

At the heart of the modules is a Digi 32-bit ARM9-based Digi NS9215 processor running at 150 MHz. Key features include 10/100 Mbit Ethernet, two on-chip Flexible Interface Modules (FIMs), 256-bit AES accelerator, power management modes with dynamic clock scaling, and a rich set of on-chip peripherals. Based on Digi 802.11 baseband technology, the ConnectCore Wi-9P 9215 also provides an additional 802.11a/b/g interface with enterprise-grade WPA2/802.11i support.

The ConnectCore 3G 9P 9215 module allows you to instantly add intelligent cellular communication to your products.

Built on leading Qualcomm Gobi 3000 technology, the module delivers a pre-certified embedded cellular connectivity solution without the traditional carrier/network limitations. Selecting cellular network technology and carriers is now a matter of software configuration and service provisioning, any time.

The unique FIMs on the Digi NS9215 processor are two independent 300 MHz DRPIC165X processor cores that allow customers to dynamically select application-specific interfaces in software. The growing list of supported interfaces includes UART, SD/SDIO, CAN bus, USB-device low-speed, 1-Wire<sup>®</sup>, USB device low-speed, parallel bus interface, and others.

Utilizing the Digi NET+<sup>™</sup> ARM processor and secure 802.11a/b/g WLAN technology, the family of ConnectCore 9P 9215 modules offers the industry's only network-enabled core module with true long-term product availability to meet the extended life cycle requirements of embedded product designs.

For further information about the Digi NS9215, see the Digi NS9215 Hardware Reference Manual.

### About the Software

---

The ConnectCore 9P 9215 Family of modules comes in distinct flavors of software: Embedded Development Firmware; or the Digi Plug-and-Play Firmware (ConnectCore Wi-9P 9215 only.)

The Embedded Development Firmware is used for the NET+OS<sup>®</sup> or Digi Embedded Linux Development systems. These modules require a developer to load system software, compile and debug their applications using the Digi ESP<sup>™</sup> Development Environment. In this environment, applications are developed in ANSI C and use the various libraries and services to create custom applications, with resolution down to the device driver.

In the Digi Plug-and-Play Firmware, the firmware is fixed. These modules require either some minor configuration or the loading and launching of Python applications that alter the general behavior of the system. In this environment, fast turn around and minimal development should be expected, however, the level of customization is limited to the Python API and/or the configuration methods.

The information within this chapter is broken down into two sections based on software type. For embedded NET+OS or Digi Embedded Linux users see page 14; for Digi Plug-and-Play Firmware users see page 41.

## Digi Embedded Linux and NET+OS

This section describes the features and functionality of modules utilizing embedded NET+OS or Digi Embedded Linux Development Environments only. If you are using a module that utilizes Digi Plug-and-Play Firmware see page 41.

Once you have read through all of the embedded NET+OS / Digi Embedded Linux related sections, proceed to Chapter 2.

### Module pinout

The module has two 80 pin connectors, X1 and X2. The following tables describe each pin, its properties, and its use on the Development Board.

#### Pinout legend: Type

I	Input
O	Output
I/O	Input or output
P	Power

#### X1 pinout

X1 pin number	Type	Module Functionality	Comments
1	P	GND	
2	P	GND	
3	I	RSTIN#	10k pull-up on module
4	O	SRESET#	Output of the reset controller push pull with 470R current limiting resistor
5	O	RSTOUT#	Output of logical AND function between NS9215 RESET_DONE and NS9215 RESET_OUT#
6	I	TCK	JTAG - 10k pull-up on module
7	I	TMS	JTAG - 10k pull-up on module
8	I	TDI	JTAG - 10k pull-up on module
9	O	TDO	JTAG - 10k pull-up on module
10	I	TRST#	JTAG - 2k2 pull-down on module
11	O	RTCK	JTAG - Optional
12	I	OCD_EN#	10k pull-up on module
13	I	LITTLE# / BIG ENDIAN	2k2 series resistor on module

X1 pin number	Type	Module Functionality	Comments
14	I	WLAN_DISABLE#	Normally connected to X2-15
15	I	SW_CONF0	2k2 series resistor on module
16	I	SW_CONF1	2k2 series resistor on module
17	I	SW_CONF2	2k2 series resistor on module
18	I	SW_CONF3	2k2 series resistor on module
19	O	LED_WWAN#	Reserved
20	P	GND	
21	I/O	BD0	Buffered Data - only active when either CS0# or CS2# is active NS9215 D[31:16]
22	I/O	BD1	
23	I/O	BD2	
24	I/O	BD3	
25	I/O	BD4	
26	I/O	BD5	
27	I/O	BD6	
28	I/O	BD7	
29	I/O	BD8	
30	I/O	BD9	
31	I/O	BD10	
32	I/O	BD11	
33	I/O	BD12	
34	I/O	BD13	
35	I/O	BD14	
36	I/O	BD15	
37	P	GND	
38	O	BA0	Buffered Address always active
39	O	BA1	
40	O	BA2	
41	O	BA3	
42	O	BA4	
43	O	BA5	
44	O	BA6	
45	O	BA7	

X1 pin number	Type	Module Functionality	Comments
46	O	BA8	
47	O	BA9	
48	O	BA10	
49	O	BA11	
50	O	BA12	
51	O	BA13	
52	O	BA14	
53	O	BA15	
54	O	BA16	
55	O	GND	
56	O	EXT_OE#	
57	O	EXT_WE#	
58	O	EXT_CSO#	
59	O	EXT_CS2#	
60	O	BE2#	NS9215 BE2#
61	O	BE3#	NS9215 BE3#
62	I	EXT_WAIT#	10k pull-up on module
63	O	EXT_CLK#	Connected over a 22R resistor to NS9215 CLK_OUT1 pin
64	P	GND	
65	I	ETH_TPIN	
66	O	ETH_ACTIVITY#	Low active signal with 330R resistor on module
67	I	ETH_TPIP	
68	O	ETH_LINK#	Low active signal with 330R resistor on module
69	O	ETH_TPON	
70	O	ETH_TPOP	
71	P	GND	
72	P	USB_VBUS	Power / See Note 1
73	I	USB_OC#	See Note 1
74	I/O	USB_P	See Note 1
75	I/O	USB_N	See Note 1
76	O	USB_PWR#	See Note 1
77	I	Reserved	



X1 pin number	Type	Module Functionality	Comments
78	P	VRTC	Backup Battery for RTC, for 3V cell. Can be left floating, if RTC backup not needed.
79	P	VLIO	Mobile: Power from Li-Ion Battery (2.5V-5.5V) Non-Mobile: connected to 3.3V
80	P	GND	

**Note 1:** ConnectCore 3G 9P 9215 USB circuit only.

## X2 pinout

The following table shows the GPIO multiplexing capabilities for the Embedded Development Firmware module.

X2 pin number	Type	Module Functionality	I/O Multiplexing	Comments
1	P	GND		
2	P	GND		
3	I/O	DCDA# SPI_EN# GPIO0 XBEE_ON_SLEEP#	DCDA# DMA0_DONE PIC_0_GEN_IO[0] GPIO0 SPI_EN	
4	I/O	CTSA# GPIO1	CTSA# EIRQ0 PIC_0_GEN_IO[1] GPIO1	EIRQ0 - Reserved on wireless variant
5	I/O	DSRA# GPIO2 XBEE_RESET#	DSRA# EIRQ1 PIC_0_GEN_IO[2] GPIO2	
6	I/O	RXDA SPI_RXD GPIO3	RXDA DMA0_PDEN PIC_0_GEN_IO[3] GPIO3 SPI_RX	
7	I/O	RIA# ERIQ2 GPIO4	RIA# EIRQ2 Timer6_in GPIO4 SPI_CLK	<b>Note:</b> This pin is used to force execution of a backup image for NET+OS, and should not be pulled down at start-up if used with NET+OS.



X2 pin number	Type	Module Functionality	I/O Multiplexing	Comments
8	I/O	RTSA# SPI_CLK GPIO5	RTSA# RS485CTLA EIRQ3 Timer6_Out GPIO5 SPI_CLK	
9	I/O	DTRA# GPIO6 SLEEP_RQ	DTRA# TXCLKA DMA0_REQ Timer7_In GPIO6 PIC_DBG_DATA_OUT	
10	I/O	TXDA SPI_TXD GPIO7	TXDA Timer8_In Timer7_Out GPIO7 SPI_TX	
11	I/O	DCDC# TXCLKC GPIO8	DCDC# DMA1_DONE Timer8_Out GPIO8 SPIB_EN	
12	I/O	CTSC# GPIO9	CTSC# I2C_SCK EIRQ0 GPIO9 PIC_DBG_DATA_IN	EIRQ0 - Reserved on wireless variant
13	I/O	DSRC# GPIO10	DSRC# QDCI EIRQ1 GPIO10 PIC_DBG_CLK	
14	I/O	RXDC GPIO11	RXDC DMA1_DP EIRQ2 GPIO11 SPI_RXboot	

X2 pin number	Type	Module Functionality	I/O Multiplexing	Comments
15	I/O	RIC# RXCLKC GPIO12	RIC# RXCLKC I2C_SDA RST_DONE GPIO12 SPI_CLK	When booting, NS9215 RIC# signal is default configured as Output, RST_DONE. To avoid input/output conflicts, put a series resistor on this signal if necessary.
16	I/O	RTSC# RXCLKC GPIO13	RTSC# QDCQ Ext Timer Event Out Ch 9 GPIO13 SPI_CLKboot	
17	I/O	DTRC# TXCLKC GPIO14	DTRC# TXCLKC DMA1_REQ PIC_0_CAN_RXD GPIO14 SPI_TXDboot	
18	I/O	TXDC GPIO15	TXDC Timer9_In PIC_0_CAN_TXD GPIO15 SPI_ENboot	
19	I/O	DCDB# GPIO51	DCDB# PIC_0_BUS_1[8] PIC_1_BUS_1[8] GPIO51	
20	I/O	CTSB# GPIO52	CTSB# PIC_0_BUS_1[9] PIC_1_BUS_1[9] GPIO52	
21	I/O	DSRB# GPIO53	DSRB# PIC_0_BUS_1[10] PIC_1_BUS_1[10] GPIO53	
22	I/O	RXDB GPIO54	RXDB PIC_0_BUS_1[11] PIC_1_BUS_1[11] GPIO54	



X2 pin number	Type	Module Functionality	I/O Multiplexing	Comments
23	I/O	RIB# GPIO55	RIB# PIC_0_BUS_1[12] PIC_1_BUS_1[12] GPIO55	
24	I/O	RTSB# GPIO56	RTSB# RS485CTLB PIC_0_BUS_1[13] PIC_1_BUS_1[13] GPIO56	
25	I/O	DTRB# GPIO57	TXCLKB DTRB# PIC_0_BUS_1[14] PIC_1_BUS_1[14] GPIO57	
26	I/O	TXDB GPIO58	TXDB PIC_0_BUS_1[15] PIC_1_BUS_1[15] GPIO58	
27	I/O	DCDD# GPIO59	DCDD# PIC_0_BUS_1[16] PIC_1_BUS_1[16] GPIO59	
28	I/O	CTSD# GPIO60	CTSD# PIC_0_BUS_1[17] PIC_1_BUS_1[17] GPIO60	
29	I/O	DSRD# GPIO61	DSRD# PIC_0_BUS_1[18] PIC_1_BUS_1[18] GPIO61	
30	I/O	RXDDD GPIO62	RXDD PIC_0_BUS_1[19] PIC_1_BUS_1[19] GPIO62	
31	I/O	RID# GPIO63	RID# PIC_0_BUS_1[20] PIC_1_BUS_1[20] GPIO63	

X2 pin number	Type	Module Functionality	I/O Multiplexing	Comments
32	I/O	RTSD# GPIO64	RTSD# RS485CTLD PIC_0_BUS_1[21] PIC_1_BUS_1[21] GPIO64	
33	I/O	DTRD# GPIO65	TXCLKD DTRD# PIC_0_BUS_1[22] PIC_1_BUS_1[22] GPIO65	
34	I/O	TXDD GPIO66	TXDD PIC_0_BUS_1[23] PIC_1_BUS_1[23] GPIO66	
35	I/O	GPIO67	PIC_0_CLK[1] PIC_0_CLK[0] EIRQ3 GPIO67	
36	I/O	GPIO68	PIC_0_GEN_IO[0] PIC_1_GEN_IO[0] PIC_1_CAN_RXD GPIO68	
37	I/O	GPIO69	PIC_0_GEN_IO[1] PIC_1_GEN_IO[1] PIC_1_CAN_TXD GPIO69	
38	I/O	GPIO70	PIC_0_GEN_IO[2] PIC_1_GEN_IO[2] PWM0 GPIO70	
39	I/O	GPIO71	PIC_0_GEN_IO[3] PIC_1_GEN_IO[3] PWM1 GPIO71	
40	I/O	GPIO72	PIC_0_GEN_IO[4] PIC_1_GEN_IO[4] PWM2 GPIO72	

X2 pin number	Type	Module Functionality	I/O Multiplexing	Comments
41	I/O	GPIO73	PIC_0_GEN_IO[5] PIC_1_GEN_IO[5] PWM3 GPIO73	
42	I/O	GPIO74	PIC_0_GEN_IO[6] PIC_1_GEN_IO[6] Timer0_In GPIO74	
43	I/O	GPIO75	PIC_0_GEN_IO[7] PIC_1_GEN_IO[7] Timer1_In GPIO75	
44	I/O	GPIO76	PIC_0_CTL_IO[0] PIC_1_CTL_IO[0] Timer2_In GPIO76	
45	I/O	GPIO77	PIC_0_CTL_IO[1] PIC_1_CTL_IO[1] Timer3_In GPIO77	
46	I/O	GPIO78	PIC_0_CTL_IO[2] PIC_1_CTL_IO[2] Timer4_In GPIO78	
47	I/O	GPIO79	PIC_0_CTL_IO[3] PIC_1_CTL_IO[3] Timer5_In GPIO79	
48	I/O	GPIO80	PIC_0_BUS_0[0] PIC_1_BUS_0[0] Timer6_In GPIO80	
49	I/O	USER_BUTTON1# GPIO81	PIC_0_BUS_0[1] PIC_1_BUS_0[1] Timer7_In GPIO81	
50	I/O	USER_LED1# GPIO82	PIC_0_BUS_0[2] PIC_1_BUS_0[2] Timer8_In GPIO82	

X2 pin number	Type	Module Functionality	I/O Multiplexing	Comments
51	I/O	GPIO83	PIC_0_BUS_0[3] PIC_1_BUS_0[3] Timer9_In GPIO83	
52	I/O	USER_BUTTON2# GPIO84	PIC_0_BUS_0[4] PIC_1_BUS_0[4] Timer0_Out GPIO84	
53	I/O	USER_LED2# GPIO85	PIC_0_BUS_0[5] PIC_1_BUS_0[5] Timer1_Out GPIO85	
54	I/O	GPIO86	PIC_0_BUS_0[6] PIC_1_BUS_0[6] Timer2_Out GPIO86	
55	I/O	GPIO87	PIC_0_BUS_0[7] PIC_1_BUS_0[7] Timer3_Out GPIO87	
56	I/O	GPIO93	PIC_0_BUS_0[13] PIC_1_BUS_0[13] Timer9_Out GPIO93	
57	I/O	GPIO94	PIC_0_BUS_0[14] PIC_1_BUS_0[14] QDCI GPIO94	
58	I/O	GPIO95	PIC_0_BUS_0[15] PIC_1_BUS_0[15] QDCQ GPIO95	
59	I/O	CAN0_RXD GPIO96	PIC_0_BUS_1[0] PIC_1_BUS_1[0] PIC_0_CAN_RXD GPIO96	
60	I/O	CAN0_TXD GPIO97	PIC_0_BUS_1[1] PIC_1_BUS_1[1] PIC_0_CAN_TXD GPIO97	

X2 pin number	Type	Module Functionality	I/O Multiplexing	Comments
61	I/O	CAN1_RXD GPIO98	PIC_0_BUS_1[2] PIC_1_BUS_1[2] PIC_1_CAN_RXD GPIO98	
62	I/O	CAN1_TXD GPIO99	PIC_0_BUS_1[3] PIC_1_BUS_1[3] PIC_1_CAN_TXD GPIO99	
63	I/O	GPIO100	PIC_0_BUS_1[4] PIC_1_BUS_1[4] PWM4 GPIO100	
64	I/O	EIRQ3# GPIO101	PIC_0_BUS_1[5] PIC_1_BUS_1[5] EIRQ3 GPIO101	
65	I/O	I2C_SCL GPIO102	PIC_0_BUS_1[6] PIC_1_BUS_1[6] I2C_SCL GPIO102	4k7 pull-up on module
66	I/O	I2C_SDA GPIO103	PIC_0_BUS_1[7] PIC_1_BUS_1[7] I2C_SDA GPIO103	4k7 pull-up on module
67	I	ADC_IN0	VIN0_ADC	
68	I	ADC_IN1	VIN1_ADC	
69	I	ADC_IN2	VIN2_ADC	
70	I	ADC_IN3	VIN3_ADC	
71	I	ADC_IN4	VIN4_ADC	
72	I	ADC_IN5	VIN5_ADC	
73	I	ADC_IN6	VIN6_ADC	
74	I	ADC_IN7	VIN7_ADC	
75	P	VSS_ADC		Connected on module to AGND through 0Ω resistor
76	P	VREF_ADC		100nF decoupling capacitor between VREF_ADC and VSS_ADC
77	P	V <sub>DD</sub> +3.3V		



X2 pin number	Type	Module Functionality	I/O Multiplexing	Comments
78	P	V <sub>DD</sub> +3.3V		
79	P	GND		
80	P	GND		

### Configuration pins — CPU

None of the 64 GPIO pins on connector X2 disturb CPU boot strap functions. The boot strap functions are controlled by address signals. A user can not disturb boot strap functions from the outside if the module configuration signals, described below, are correctly configured.

#### Default module CPU configuration

The user has access to six configuration signals:

- LITTLE#/BIG\_ ENDIAN which allows the user to select the endianness of the module
- OCD\_EN# which allows the user to activate on-chip debugging
- SW\_CONF [3:0] which are reserved for the user; the user software can read out these signals through the GEN ID register (@ 0xA090\_0210).

### Configuration pins — Module

The ConnectCore 9P 9215 Family of modules support the following JTAG signals: TCK, TMS, TDI, TDO, TRST#, and RTCK. Selection can be made between ARM debug mode and boundary scan mode with the signal OCD\_EN#.

#### Identification of the module

In order to make it easier for software to recognize a module and especially a hardware variant of the module, a specific bit field made of 4 bits has been reserved on the module. This bit field can be read out through GEN ID register and corresponds to A[12:9]. These configuration signals use the internal CPU pull-up resistor and can be pulled down through external population option 2k2 resistors.

In the same way, 3 bits are available on the module to identify the SDRAM configuration scheme. These bits correspond to A[19:17]. It is impossible for the user to disturb either the variant specific or SDRAM configuration specific bits from outside.

In addition, the ConnectCore 9P 9215 Family of modules have reserved 4 bits for special platform identification. This bit field can be read out through GEN ID register and corresponds to A[16:13]. Configuration of these signals is done through the SW\_CONF pins. SW\_CONF0 is connected to A13 through a 2k2 series resistor, and so on for the further SW\_CONF pins. Therefore, this bit can be set high by leaving the



corresponding SW\_CONF pin unconnected and set low by connecting the corresponding SW\_CONF pin directly low.

These pins are available for user defined application or platform specific software configurations.

## Module pin configuration

Signal name	Function	PU/PD	Comment
LITTLE#/BIG_ENDIAN	Set module endianness. 0 module boots in little endian mode. 1 module boots in big endian mode.	PU	Signal LITTLE#/BIG_ENDIAN is connected to GPIO_A3/A27 through a 2k2 series resistor.
OCD_EN#	JTAG / Boundary scan function select 0 ARM debug mode, BISTEN# set to high 1 Boundary scan mode, BISTEN# set to low	PU 10K	
SW_CONF0	This pin is a user/application defined software configuration pin.		Connected to A13 through a 2k2 series resistor. Read bit 4 of GEN ID register (@0xA0900210).
SW_CONF1	This pin is a user/application defined software configuration pin.		Connected to A14 through a 2k2 series resistor. Read bit 5 of GEN ID register (@0xA0900210).
SW_CONF2	This pin is a user/application defined software configuration pin.		Connected to A15 through a 2k2 series resistor. Read bit 6 of GEN ID register (@0xA0900210).
SW_CONF3	This pin is a user/application defined software configuration pin.		Connected to A16 through a 2k2 series resistor. Read bit 7 of GEN ID register (@0xA0900210).

## Clock generation

### Clock frequencies

Hardware strapping determines the initial powerup PLL settings. The table below summarizes the default clock frequencies for the ConnectCore 9P 9215 and ConnectCore Wi-9P 9215 modules:

#### Hardware strapping:

"PLL reference clock divider setting:

A[4:0] = 0x1D (0b11101)

NR = 5

"PLL output divider setting:

A[6:5] = 0x3 (0b11)

OD = 0

"PLL bypass setting:

A[7] = 0x1 (0b1)

Normal operation

#### PLL frequency formula:

$PLL\ V_{co} = (RefClk / NR + 1) * (NF + 1)$

$ClkOut = PLL\ V_{co} / (OD + 1)$

RefClk (Crystal) = 29.4912MHz

NF = 0x3C (reset value - can only be changed by software).

$PLL\ V_{co} = (29.4912 / 6) * 61 = 299.8272\ MHz$

$ClkOut = 299.8272\ MHz$

#### Resulting clock settings:

PIC clock = 299.8272 MHz

CPU clock = 299.8272 MHz / 2 = 149.9136 MHz

AHB clock = 149.9136 MHz / 2 = 74.9568 MHz



## Changing the CPU speed

After power-up, software can change the PLL settings by writing to the PLL configuration register (@ 0xA090\_0188).

**Important:** When PLL parameters are changed, a reset is provided for the PLL to stabilize. Applications using this feature need to be aware that the SDRAM contents will be lost. See reset behavior in the table below.

Reset Behavior	RESET _n pin	SRESET _n pin	PLL Config Reg. Update	Watchdog Time-Out Reset
SPI boot	YES	YES	YES	YES
Strapping PLL	YES	NO	NO	NO
Other strappings (Endianess)	YES	NO	NO	NO
GPIO configuration	YES	NO	NO	NO
Other (ASIC) registers	YES	YES	YES	YES
SDRAM keeps its contents	NO	YES	NO	YES

## Boot process

The ConnectCore 9P 9215 and ConnectCore Wi-9P 9215 modules boot directly from NOR flash. The start-up code is located at address 0x00000000 during the boot process. When the system is booted, the SDRAM is remapped to address 0x00000000 and NOR Flash to 0x50000000 by modifying the address map in the AHB decoder.

## Chip selects

The module has eight chip selects: four for dynamic memory and four for static memory. Each chip select has a 256MB range.

### Chip select memory map

Name	CPU Sig. name	Pin	Address range	Size [Mb]	Usage	Comments
SDM_CS0#	CS1#	D6	0x00000000–0x0FFFFFFF	256	SDRAM bank 0	First bank on module
SDM_CS1#	CS3#	B5	0x10000000–0x1FFFFFFF	256	not used	
SDM_CS2#	CS5#	A4	0x20000000–0x2FFFFFFF	256	not used	
SDM_CS3#	CS7#	B4	0x30000000–0x3FFFFFFF	256	not used	
EXT_CS0#	CS0#	C6	0x40000000–0x4FFFFFFF	256	external, CS0#	
INT_CS1#	CS2#	B6	0x50000000–0x5FFFFFFF	256	NOR-Flash	Program memory on module
EXT_CS2#	CS4#	C5	0x60000000–0x6FFFFFFF	256	external, CS2#	
INT_CS3#	CS6#	A3	0x70000000–0x7FFFFFFF	256	internal, CS3#	Reserved for internal usage

## SDRAM banks

The modules provide connection to 1 SDRAM chip, connected to CS1# (SDM\_CS0#). The other SDRAM chip selects are not used. The standard module has one of these SDRAM onboard: 1Mx16x4-banks. A13 is the highest address connected. BA0 and BA1 are connected to A21 and A22, respectively.

## Multiplexed GPIO pins

The 108 GPIO pins (including address bits A24 through A27) available on the module connector are multiplexed with other functions, such as:

- UART
- SPI
- Ethernet
- DMA
- I<sup>2</sup>C port
- Timers and interrupt inputs
- Memory bus data

### Pin notes

- GPIO [15:0] has five multiplex modes.
- GPIO [103:16] and GPIO\_A [3:0] have four multiplex modes.
- Using a pin as GPIO may result in the loss of some functionalities. Certain functions are duplicated to enhance the likelihood of the pin being used without sacrificing other vital functions.
- Using original and (dup) functions in parallel is not recommended.
- Default function of GPIOs after CPU power-up is function 03, except GPIO12 (function 02-reset\_done) and GPIO [31:16] (function 00 - DATA[15:0]).

### GPIO multiplex table

In the GPIO multiplex table below,

- the default function is written in bold,
- # means low active signal,
- (dup) means the function is available multiple times.

Port name, Function 03	Alternate function 00	Alternate function 01	Alternate function 02	Alternate function 04 (only GPIO00 ...GPIO15)	On module, default used as
GPIO0	DCDA#	DMA0_DONE	PIC_0_GEN_IO[0]	SPI_EN# (dup)	DCDA# / SPI_EN#
GPIO1	CTSA#	EIRQ0	PIC_0_GEN_IO[1]	EIRQ0 - Reserved on wireless variant	CTSA#
GPIO2	DSRA#	EIRQ1	PIC_0_GEN_IO[2]	Reserved	DSRA#
GPIO3	RXDA#	DMA0_PDEN	PIC_0_GEN_IO[3]	SPI_RXD (dup)	RXDA / SPI_RXD
GPIO4	RIA#	EIRQ2	Timer6_In	SPI_CLK (dup)	RIA# / SPI_CLK
GPIO5	RTSA# / 485CTLA	EIRQ3	Timer6_Out	SPI_CLK (dup)	RTSA#

Port name, Function 03	Alternate function 00	Alternate function 01	Alternate function 02	Alternate function 04 (only GPIO00 ...GPIO15)	On module, default used as
GPIO6	TXCLKA / DTRA#	DMA0_REQ	Timer7_In	PIC_DBG_DATA_OUT	DTRA#
GPIO7	TXDA	Timer8_In	Timer7_Out	SPI_TXD (dup)	TXDA / SPI_TXD
GPIO8	DCDC# / TXCLKC	DMA1_DONE	Timer8_Out	SPI_EN# (dup)	DCDC#
GPIO9	CTSC#	I2C_SCL	EIRQ0 (dup) Reserved on wireless variant	PIC_DBG_DATA_IN	CTSC#
GPIO10	DSRC#	QDCI	EIRQ1 (dup)	PIC_DBG_CLK	DSRC#
GPIO11	RXDC#	DMA1_PDEN	EIRQ2 (dup)	SPI_RXD (boot)	RXDC
GPIO12	RXCLKC / RIC#	I2C_SDA	RESET_DONE	SPI_CLK (dup)	RIC# <sup>1</sup>
GPIO13	RXCLKC / RTSC# /485CTLC	QDCQ	Timer9_out	SPI_CLK (boot)	RXCLKC / RTSC#
GPIO14	TXCLKC / DTRC#	DMA1_REQ	PIC_0_CAN_RXD	SPI_TXD (boot)	TXCLKC
GPIO15	TXDC	Timer9_In	PIC_0_CAN_TXD	SPI_EN# (boot)	TXDC
GPIO16	D0	DCDB#	EIRQ0 (dup) Reserved on wireless variant		Reserved for upper data lines
GPIO17	D1	CTSB#	EIRQ1 (dup)		Reserved for upper data lines
GPIO18	D2	DSRB#	EIRQ2 (dup)		Reserved for upper data lines
GPIO19	D3	RXDB	EIRQ3 (dup)		Reserved for upper data lines
GPIO20	D4	RIB#	DMA0_DONE (dup)		Reserved for upper data lines
GPIO21	D5	RTSB# / 485CTLB	DMA0_PDEN (dup)		Reserved for upper data lines
GPIO22	D6	TXCLKB / DTRB#	DMA1_DONE (dup)		Reserved for upper data lines
GPIO23	D7	TXDB	PIC_1_CAN_RXD		Reserved for upper data lines
GPIO24	D8	DCDD#	PIC_1_CAN_TXD		Reserved for upper data lines
GPIO25	D9	CTSD#	RESET_DONE (dup)		Reserved for upper data lines
GPIO26	D10	DSRD#	PIC_1_GEN_IO[0]		Reserved for upper data lines



Port name, Function 03	Alternate function 00	Alternate function 01	Alternate function 02	Alternate function 04 (only GPIO00 ...GPIO15)	On module, default used as
GPIO27	D11	RXDD	PIC_1_GEN_IO[1]		Reserved for upper data lines
GPIO28	D12	RID#	PIC_1_GEN_IO[2]		Reserved for upper data lines
GPIO29	D13	RTSD# / 485CTLD	PIC_1_GEN_IO[3]		Reserved for upper data lines
GPIO30	D14	TXCLKD / DTRD#	Reserved		Reserved for upper data lines
GPIO31	D15	TXDD	Reserved		Reserved for upper data lines
GPIO32	MII_MDC	PIC_0_GEN_IO[0]	Reserved		MII Interface
GPIO33	MII_TXC	PIC_0_GEN_IO[1]	Reserved		MII Interface
GPIO34	MII_RXC	PIC_0_GEN_IO[2]	Reserved		MII Interface
GPIO35	MII_MDIO	PIC_0_GEN_IO[3]	Reserved		MII Interface
GPIO36	MII_RXDV	PIC_0_GEN_IO[4]	Reserved		MII Interface
GPIO37	MII_RXER	PIC_0_GEN_IO[5]	Reserved		MII Interface
GPIO38	MII_RXD0	PIC_0_GEN_IO[6]	Reserved		MII Interface
GPIO39	MII_RXD1	PIC_0_GEN_IO[7]	Reserved		MII Interface
GPIO40	MII_RXD2	PIC_1_GEN_IO[0]	Reserved		MII Interface
GPIO41	MII_RXD3	PIC_1_GEN_IO[1]	Reserved		MII Interface
GPIO42	MII_TXEN	PIC_1_GEN_IO[2]	Reserved		MII Interface
GPIO43	MII_TXER	PIC_1_GEN_IO[3]	Reserved		MII Interface
GPIO44	MII_TXD0	PIC_1_GEN_IO[4]	Reserved		MII Interface
GPIO45	MII_TXD1	PIC_1_GEN_IO[5]	Reserved		MII Interface
GPIO46	MII_TXD2	PIC_1_GEN_IO[6]	Reserved		MII Interface
GPIO47	MII_TXD3	PIC_1_GEN_IO[7]	Reserved		MII Interface
GPIO48	MII_COL	Reserved	Reserved		MII Interface
GPIO49	MII_CRS	Reserved	Reserved		MII Interface
GPIO50	MII_PHY_Int	PIC_1_CLK (I)	PIC_1_CLK(0)		MII Interface
GPIO51	DCDB# (dup)	PIC_0_BUS_1[8]	PIC_1_BUS_1[8]		DCDB#
GPIO52	CTSB# (dup)	PIC_0_BUS_1[9]	PIC_1_BUS_1[9]		CTSB#
GPIO53	DSRB# (dup)	PIC_0_BUS_1[10]	PIC_1_BUS_1[10]		DSRB#
GPIO54	RXDB (dup)	PIC_0_BUS_1[11]	PIC_1_BUS_1[11]		RXDB



## Chapter 1

Port name, Function 03	Alternate function 00	Alternate function 01	Alternate function 02	Alternate function 04 (only GPIO00 ...GPIO15)	On module, default used as
GPIO55	RIB# (dup)	PIC_0_BUS_1[12]	PIC_1_BUS_1[12]		RIB#
GPIO56	RTSB# / 485CTLB (dup)	PIC_0_BUS_1[13]	PIC_1_BUS_1[13]		RTSB#
GPIO57	TXCLKB (dup) / DTRB# (dup)	PIC_0_BUS_1[14]	PIC_1_BUS_1[14]		DTRB#
GPIO58	TXDB (dup)	PIC_0_BUS_1[15]	PIC_1_BUS_1[15]		TXDB
GPIO59	DCDD# (dup)	PIC_0_BUS_1[16]	PIC_1_BUS_1[16]		DCDD#
GPIO60	CTSD# (dup)	PIC_0_BUS_1[17]	PIC_1_BUS_1[17]		CTSD#
GPIO61	DSRD# (dup)	PIC_0_BUS_1[18]	PIC_1_BUS_1[18]		DSRD#
GPIO62	RXDD (dup)	PIC_0_BUS_1[19]	PIC_1_BUS_1[19]		RXDD
GPIO63	RID# (dup)	PIC_0_BUS_1[20]	PIC_1_BUS_1[20]		RID#
GPIO64	RTSD# / 485CTLD (dup)	PIC_0_BUS_1[21]	PIC_1_BUS_1[21]		RTSD#
GPIO65	TXCLKD (dup) / DTRD# (dup)	PIC_0_BUS_1[22]	PIC_1_BUS_1[22]		DTRD#
GPIO66	TXDD (dup)	PIC_0_BUS_1[23]	PIC_1_BUS_1[23]		TXDD
GPIO67	PIC_0_CLK (I)	PIC_0_CLK (O)	EIRQ3 (dup)		PIC_0_CLK
GPIO68	PIC_0_GEN_IO[0]	PIC_1_GEN_IO[0]	PIC_1_CAN_RXD		PIC_0_GEN_IO[0]
GPIO69	PIC_0_GEN_IO[1]	PIC_1_GEN_IO[1]	PIC_1_CAN_TXD		PIC_0_GEN_IO[1]
GPIO70	PIC_0_GEN_IO[2]	PIC_1_GEN_IO[2]	PWM0		PIC_0_GEN_IO[2]
GPIO71	PIC_0_GEN_IO[3]	PIC_1_GEN_IO[3]	PWM1		PIC_0_GEN_IO[3]
GPIO72	PIC_0_GEN_IO[4]	PIC_1_GEN_IO[4]	PWM2		PIC_0_GEN_IO[4]
GPIO73	PIC_0_GEN_IO[5]	PIC_1_GEN_IO[5]	PWM3		PIC_0_GEN_IO[5]
GPIO74	PIC_0_GEN_IO[6]	PIC_1_GEN_IO[6]	Timer0_In		PIC_0_GEN_IO[6]
GPIO75	PIC_0_GEN_IO[7]	PIC_1_GEN_IO[7]	Timer1_In		PIC_0_GEN_IO[7]
GPIO76	PIC_0_CTL_IO[0]	PIC_1_CTL_IO[0]	Timer2_In		PIC_0_CTL_IO[0]
GPIO77	PIC_0_CTL_IO[1]	PIC_1_CTL_IO[1]	Timer3_In		PIC_0_CTL_IO[1]
GPIO78	PIC_0_CTL_IO[2]	PIC_1_CTL_IO[2]	Timer4_In		PIC_0_CTL_IO[2]
GPIO79	PIC_0_CTL_IO[3]	PIC_1_CTL_IO[3]	Timer5_In		PIC_0_CTL_IO[3]
GPIO80	PIC_0_BUS_0[0]	PIC_1_BUS_0[0]	Timer6_In (dup)		Timer6_In
GPIO81	PIC_0_BUS_0[1]	PIC_1_BUS_0[1]	Timer7_In (dup)		Timer7_In
GPIO82	PIC_0_BUS_0[2]	PIC_1_BUS_0[2]	Timer8_In (dup)		Timer8_In
GPIO83	PIC_0_BUS_0[3]	PIC_1_BUS_0[3]	Timer9_In (dup)		Timer9_In

Port name, Function 03	Alternate function 00	Alternate function 01	Alternate function 02	Alternate function 04 (only GPIO00 ...GPIO15)	On module, default used as
GPIO84	PIC_0_BUS_0[4]	PIC_1_BUS_0[4]	Timer0_Out		Timer0_Out
GPIO85	PIC_0_BUS_0[5]	PIC_1_BUS_0[5]	Timer1_Out		Timer1_Out
GPIO86	PIC_0_BUS_0[6]	PIC_1_BUS_0[6]	Timer2_Out		Timer2_Out
GPIO87	PIC_0_BUS_0[7]	PIC_1_BUS_0[7]	Timer3_Out		Timer3_Out
GPIO88	PIC_0_BUS_0[8]	PIC_1_BUS_0[8]	Timer4_Out		User LED 0 => LED 1 (on module)
GPIO89	PIC_0_BUS_0[9]	PIC_1_BUS_0[9]	Timer5_Out		User LED 1 => LED 2 (on module)
GPIO90	PIC_0_BUS_0[10]	PIC_1_BUS_0[10]	Timer6_Out (dup)		GPIO reserved on module
GPIO91	PIC_0_BUS_0[11]	PIC_1_BUS_0[11]	Timer7_Out (dup)		Reserved NAND_R/B#
GPIO92	PIC_0_BUS_0[12]	PIC_1_BUS_0[12]	Timer8_Out (dup)		GPIO reserved on module
GPIO93	PIC_0_BUS_0[13]	PIC_1_BUS_0[13]	Timer9_Out (dup)		Timer9_Out
GPIO94	PIC_0_BUS_0[14]	PIC_1_BUS_0[14]	QDCI (dup)		QDCI
GPIO95	PIC_0_BUS_0[15]	PIC_1_BUS_0[15]	QDCQ (dup)		QDCQ
GPIO96	PIC_0_BUS_1[0]	PIC_1_BUS_1[0]	PIC_0_CAN_RXD		PIC_0_CAN_RXD
GPIO97	PIC_0_BUS_1[1]	PIC_1_BUS_1[1]	PIC_0_CAN_TXD		PIC_0_CAN_TXD
GPIO98	PIC_0_BUS_1[2]	PIC_1_BUS_1[2]	PIC_1_CAN_RXD		PIC_1_CAN_RXD
GPIO99	PIC_0_BUS_1[3]	PIC_1_BUS_1[3]	PIC_1_CAN_TXD		PIC_1_CAN_TXD
GPIO100	PIC_0_BUS_1[4]	PIC_1_BUS_1[4]	PWM4		PWM4
GPIO101	PIC_0_BUS_1[5]	PIC_1_BUS_1[5]	EIRQ3 (dup)		EIRQ3
GPIO102	PIC_0_BUS_1[6]	PIC_1_BUS_1[6]	I2C_SCL (dup)		I2C_SCL
GPIO103	PIC_0_BUS_1[7]	PIC_1_BUS_1[7]	I2C_SDA (dup)		I2C_SDA
GPIO_A0	A24	I2C_SCL dupe	EIRQ0 (dup)		EIRQ0 - Reserved on wireless variant
GPIO_A1	A25	I2C_SDA dupe	EIRQ1 (dup)		Reserved EIRQ1 - USB
GPIO_A2	A26	CS0_WE#	EIRQ2 (dup)		GPIO reserved on module
GPIO_A3	A27	CS0_OE#	UART_REFCLK		Little/Big Endian

<sup>1</sup> Put a series resistor on the Development Board in this case to avoid input/output conflict between RESET\_DONE (output/boot default) and RIC# (input/configuration default).

## Module LEDs

The ConnectCore 9P 9215 Family of modules have two on module LEDs: LE1 and LE2. For each module variant, the default use varies:

- **ConnectCore 9P 9215:** LE1 will flash a repeating blink pattern in a major system failure; for example, a processor exception or power-on self test failure.
- **ConnectCore Wi-9P 9215:** To indicate WLAN-related information, such as association status and network activity.

### ConnectCore 9P 9215 LEDs

ID	Connects to	Default	Description
LE1	GPIO88	Off	Setting to output logic “0” turns on the LED.
LE2	GPIO89	Off	Setting to output logic “0” turns on the LED.

### ConnectCore Wi-9P 9215 LEDs

ID	Color	LED	Blink pattern	Status / Activity
LE1	Green	Link integrity	On	The unit is associated to an access point (infrastructure mode)
			Slow	The unit is in ad-hoc mode
			Quick	The unit is scanning for a network
LE2	Yellow	Network activity	Blinking	Network traffic is received or transmitted
			Off	Network is idle

**Note:** The network activity LED is used for diagnostic purposes during boot-up.

## External interrupts

The ConnectCore 9P 9215 Family of modules provide access to four external interrupts signals, which are multiplexed with other functions on the GPIO pins.

External interrupt	GPIO multiplexing	Other functions, 1st position	Comments
EIRQ0	GPIO1	X2.4	EIRQ0 is used in ConnectCore Wi-9P 9215 as radio chip interrupt and is not available for use.
	GPIO9	X2.12	
	GPIO16		
	GPIO_A0		
EIRQ1	GPIO2	X2.5	
	GPIO10	X2.13	
	GPIO17		
	GPIO_A1		
EIRQ2	GPIO4	X2.7	
	GPIO11	X2.14	
	GPIO18		
	GPIO_A2		
EIRQ3	GPIO5	X2.8	EIRQ3# is used on the Development Board to implement I <sup>2</sup> C I/O expander interrupt functionality.
	GPIO67	X2.35	
	GPIO101	X2.64	
	GPIO19		

## Interfaces

### 10/100 Mbps Ethernet port

The Digi NS9215 processor's 10/100 Mbps Ethernet MAC allows a glueless connection of a 3.3V MII PHY chip that generates the physical Ethernet signals.

The module has a MII PHY chip in a 56-pin QFN package on board. By default, the module does not have a transformer or Ethernet connector; the Development Board must provide these parts. However, it's possible to populate a specific RJ45 connector with magnetics on the module. The appropriate RJ-45 is Midcom MIC2412A-5108W-LF3.

A PHY clock of 25 MHz is generated in the PHY chip with a 25 MHz crystal.

GPIO90 is controlling the PHY RESET# signal. This GPIO has a 2k2 pull-down resistor to GND populated on the module. GPIO90 must be asserted high before PHY can be used. When not used, the PHY can be put in low-power mode by asserting GPIO90 low.

The PHY address on the MII bus is 0x7 (0b00111).

In addition to providing access to the Ethernet signals coming out of the PHY, the module also supports two status LEDs: ETH\_ACTIVITY# and ETH\_LINK#.

### UART

The ConnectCore 9P 9215 and ConnectCore Wi-9P 9215 modules provide up to four UART ports, used in asynchronous mode:

- Port A = GPIO0 through GPIO7
- Port B = GPIO51 through GPIO58
- Port C = GPIO8 through GPIO15
- Port D = GPIO59 through GPIO66

The module supports baud rates up to 1.8432 Mbps in asynchronous mode. Each UART has a 64-byte TX and RX FIFO available.

### SPI

The following interfaces are only available on the ConnectCore 9P 9215 and ConnectCore Wi-9P 9215.

The module provides one SPI port which can be used in either master or slave mode.

- Master: 33.33 Mbps
- Slave: 7.50 Mbps

The SPI module is made of four signals: RXD, TXD, CLK and CS#.



## **I<sup>2</sup>C bus**

The I<sup>2</sup>C bus is completely free on the module - no EEPROM and no RTC - since the RTC is in the processor.

The I<sup>2</sup>C clock is max 400kHz.

I<sup>2</sup>C signals are provided on the module with 4k7 pull-up resistors.

## **RTC**

The RTC is integrated in the processor and has its own 32.768 KHz clock crystal.

- When powered by VBAT, an RTC unit will function until VBAT (X1.78) reaches a threshold of 2.3 - 2.4V - then the internal unit switches off.
- The battery current without +3.3V power applied is up to 40µA. The current is used to power the RTC, 32.768kHz oscillator and 64-byte internal RAM.
- When the Development Board ships from the factory the battery is disabled. To enable the battery, place a jumper on the Development Board at J2.

## **WLAN**

In addition to the wired Ethernet interface, the ConnectCore Wi-9P 9215 module also offers an integrated dual-diversity 802.11a/b/g interface with data rates up to 54 Mbps. Two U.FL antenna connectors are provided on the module.

## **ADC**

The ADC on the module provides 12-bit resolution / 1 MHz conversion capabilities, single-ended 8:1 multiplexed inputs, rail-to-rail input range, 12-bit output (DMA/direct), and external reference.

## **FIM**

The Flexible Interface Modules (FIM) are based on two independent 8-bit DRPIC1655X cores running at 300 MHz maximum core clock (4x NS9215 bus speed) with 192-byte data and 2 KB program SRAM. The FIMs allow the flexible software-based selection of Digi-provided application specific hardware interfaces such as UART, SD/SDIO, 1-Wire, CAN bus, and others.

## **External Address/Data Bus**

The modules provide a 17-bit address and 16-bit data bus with 2 external chip selects for peripheral connections.





## WLAN Antenna Switch

The antenna switch is a digitally controlled 2.4 GHz, 50 ohm, multi-function solid state switch, controlled by software.

The receive port can be switched between antenna 1 or antenna 2.

The transmit port can be switched between antenna 1 or antenna 2.

The switch can handle >28dBm of signal on the transmit port. The insertion loss of the antenna switch is <0.5dB and the receive to transmit port isolation is >23dB.

## Power

### Power supply

The module has +3.3V and VLIO supply pins.

VLIO can be connected either to a Li-Ion battery (2.5V - 5.5V) in a mobile application, or it can be connected directly to +3.3V. Connecting VLIO to a battery causes efficiency to be gained without an additional voltage regulator.

### Internal voltage

The internal 1.8V core voltage is generated through a high-efficiency synchronous step-down converter, which uses VLIO as input voltage. The core voltage regulator can provide up to 600mA.



## Digi Plug-and-Play Firmware

This section describes the features and functionality of modules utilizing Digi Plug-and-Play Firmware only. If you are using a module that utilizes the embedded NET+OS or Linux software see page 14.

Once you have read through all the Digi Plug-and-Play Firmware related sections, proceed to Chapter 2.

**Note:** Digi Plug-and-Play Firmware is only available for the ConnectCore Wi-9P 9215.

### Module pinout

The module has two 80 pins connectors, X1 and X2. The next tables describe each pin, its properties, and its use on the Development Board.

#### Pinout legend: Type

I	Input
O	Output
I/O	Input or output
P	Power

#### X1 pinout

X1 pin number	Type	Module functionality	Comments
1	P	GND	
2	P	GND	
3	I	RSTIN#	10k pull-up on module
4	O	SRESET#	Output of the reset controller push pull with 470R current limiting resistor
5	O	RSTOUT#	Output of logical AND function between NS9215 RESET_DONE and NS9215 RESET_OUT#
6	I	TCK	Not Connected, Reserved
7	I	TMS	Not Connected, Reserved
8	I	TDI	Not Connected, Reserved
9	O	TDO	Not Connected, Reserved
10	I	TRST#	Not Connected, Reserved
11	O	RTCK	Not Connected, Reserved
12	I	OCD_EN#	Not Connected, Reserved



X1 pin number	Type	Module functionality	Comments
13	I	LITTLE# / BIG ENDIAN	Not Connected, Reserved
14	I	WLAN_DISABLE#	For ConnectCore Wi-9P 921 low active WLAN Disable signal. For ConnectCore 3G 9P 9215 normally connected to X2-15.
15	I	SW_CONF0	2k2 series resistor on module
16	I	SW_CONF1	2k2 series resistor on module
17	I	SW_CONF2	2k2 series resistor on module
18	I	SW_CONF3	2k2 series resistor on module
19	O	(WLAN_LED#)	Active low signal coming from low-active WLAN signal. This signal comes directly from the Piper chip without series resistor. Not connected, for the ConnectCore 3G 9P 9215.
20	P	GND	
21	I/O	BD0	Not Connected, Reserved
22	I/O	BD1	Not Connected, Reserved
23	I/O	BD2	Not Connected, Reserved
24	I/O	BD3	Not Connected, Reserved
25	I/O	BD4	Not Connected, Reserved
26	I/O	BD5	Not Connected, Reserved
27	I/O	BD6	Not Connected, Reserved
28	I/O	BD7	Not Connected, Reserved
29	I/O	BD8	Not Connected, Reserved
30	I/O	BD9	Not Connected, Reserved
31	I/O	BD10	Not Connected, Reserved
32	I/O	BD11	Not Connected, Reserved
33	I/O	BD12	Not Connected, Reserved
34	I/O	BD13	Not Connected, Reserved
35	I/O	BD14	Not Connected, Reserved
36	I/O	BD15	Not Connected, Reserved
37	P	GND	
38	O	BA0	Not Connected, Reserved
39	O	BA1	Not Connected, Reserved
40	O	BA2	Not Connected, Reserved
41	O	BA3	Not Connected, Reserved
42	O	BA4	Not Connected, Reserved

X1 pin number	Type	Module functionality	Comments
43	O	BA5	Not Connected, Reserved
44	O	BA6	Not Connected, Reserved
45	O	BA7	Not Connected, Reserved
46	O	BA8	Not Connected, Reserved
47	O	BA9	Not Connected, Reserved
48	O	BA10	Not Connected, Reserved
49	O	BA11	Not Connected, Reserved
50	O	BA12	Not Connected, Reserved
51	O	BA13	Not Connected, Reserved
52	O	BA14	Not Connected, Reserved
53	O	BA15	Not Connected, Reserved
54	O	BA16	Not Connected, Reserved
55	O	GND	
56	O	EXT_OE#	Not Connected, Reserved
57	O	EXT_WE#	Not Connected, Reserved
58	O	EXT_CSO#	Not Connected, Reserved
59	O	EXT_CS2#	Not Connected, Reserved
60	O	BE2#	Not Connected, Reserved
61	O	BE3#	Not Connected, Reserved
62	I	EXT_WAIT#	Not Connected, Reserved
63	O	EXT_CLK#	Not Connected, Reserved
64	P	GND	
65	I	ETH_TPIN	
66	O	ETH_ACTIVITY#	Low active signal with 330R resistor on module
67	I	ETH_TPIP	
68	O	ETH_LINK#	Low active signal with 330R resistor on module
69	O	ETH_TPON	
70	O	ETH_TPOP	
71	P	GND	
72	P		Reserved for the ConnectCore 3G 9P 9215: +3.3V additional power supply pin
73	I	USB_OC#	Reserved for the ConnectCore 3G 9P 9215: USB_OC# over current input



X1 pin number	Type	Module functionality	Comments
74	I/O	USB_P	Reserved for the ConnectCore 3G 9P 9215: USB_P OTG channel
75	I/O	USB_N	Reserved for the ConnectCore 3G 9P 9215: USB_N OTG channel
76	O	USB_PWR#	Reserved for the ConnectCore 3G 9P 9215: USB_PWR#
77	I	Reserved	
78	P	VRTC	Backup Battery for RTC, for 3V cell. Can be left floating, if RTC backup not needed.
79	P	VLIO	Mobile: Power from Li-Ion Battery (2.5V-5.5V) Non-Mobile: connected to 3.3V
80	P	GND	

## X2 pinout

The following table shows the GPIO multiplexing capabilities for the Digi Plug-and-Play Firmware module:

X2 pin number	Type	Module Functionality	I/O Multiplexing	Comments
1	P		GND	
2	P		GND	
3	I/O	DCDA# SPI_EN# GPIO0 XBEE_ON_SLEEP#	GPIO0 DCDA	See Note 1
4	I/O	CTSA# GPIO1	GPIO1 CTSA	See Note 1
5	I/O	DSRA# GPIO2 XBEE_RESET#	GPIO2 DSRA	See Note 1
6	I/O	RXDA SPI_RXD GPIO3	GPIO3 RXDA	See Note 1
7	I/O	RIA# ERIQ2 GPIO4	GPIO4 RIA EIRQ2	See Note 1 and Note 4

X2 pin number	Type	Module Functionality	I/O Multiplexing	Comments
8	I/O	RTSA# SPI_CLK GPIO5	GPIO5 RTSA	See Note 1
9	I/O	DTRA# GPIO6 SLEEP_RQ	GPIO6 DTRA	See Note 1
10	I/O	TXDA SPI_TXD GPIO7	GPIO7 TXDA	See Note 1
11	I/O	DCDC# TXCLKC GPIO8	GPIO8 DCDC	See Note 2
12	I/O	CTSC# GPIO9	GPIO9 CTSC	See Note 2
13	I/O	DSRC# GPIO10	GPIO10 DSRC	See Note 2
14	I/O	RXDC GPIO11	GPIO11 RXDC	See Note 1
15	I/O	RIC# RXCLKC GPIO12	GPIO12 RIC	See Note 3
16	I/O	RTSC# RXCLKC GPIO13	GPIO13 RTSC	See Note 2
17	I/O	DTRC# TXCLKC GPIO14	GPIO14 DTRC	See Note 1
18	I/O	TXDC GPIO15	GPIO15 TXDC	See Note 2
19	I/O	DCDB# GPIO51	GPIO51 DCDB	See Note 1
20	I/O	CTSB# GPIO52	GPIO52 CTSB	See Note 1
21	I/O	DSRB# GPIO53	GPIO53 DSRB	See Note 1
22	I/O	RXDB GPIO54	GPIO54 RXDB	See Note 1

X2 pin number	Type	Module Functionality	I/O Multiplexing	Comments
23	I/O	RIB# GPIO55	GPIO55 RIAB	See Note 1
24	I/O	RTSB# GPIO56	GPIO56 RTSB	See Note 1
25	I/O	DTRB# GPIO57	GPIO57 DTRB	See Note 1
26	I/O	TXDB GPIO58	GPIO58 TXDB	See Note 1
27	I/O	DCDD# GPIO59	GPIO59 DCDD	See Note 1
28	I/O	CTSD# GPIO60	GPIO60 CTSD	See Note 1
29	I/O	DSRD# GPIO61	GPIO61 DSRD	See Note 1
30	I/O	RXDDD GPIO62	GPIO62 RXDD	See Note 1
31	I/O	RID# GPIO63	GPIO63 RIAD	See Note 1
32	I/O	RTSD# GPIO64	GPIO64 RTSD	See Note 1
33	I/O	DTRD# GPIO65	GPIO65 DTRD	See Note 1
34	I/O	TXDD GPIO66	GPIO66 TXDD	See Note 1
35	I/O	GPIO67	GPIO67	See Note 1
36	I/O	GPIO68	GPIO68 FIM_UART_0_TXD	See Note 1 and Note 5
37	I/O	GPIO69	GPIO6 FIM_UART_0_RXD	See Note 1 and Note 5
38	I/O	GPIO70	GPIO7 FIM_UART_0_RTS	See Note 1 and Note 5
39	I/O	GPIO71	GPIO71 FIM_UART_0_CTS	See Note 1 and Note 5
40	I/O	GPIO72	GPIO72 FIM_UART_1_TXD	See Note 1 and Note 5
41	I/O	GPIO73	GPIO73 FIM_UART_1_RXD	See Note 1 and Note 5

X2 pin number	Type	Module Functionality	I/O Multiplexing	Comments
42	I/O	GPIO74	GPIO74 FIM_UART_1_RTS	See Note 1 and Note 5
43	I/O	GPIO75	GPIO75 FIM_UART_1_CTS	See Note 1 and Note 5
44	I/O	GPIO76	GPIO76	See Note 1
45	I/O	GPIO77	GPIO77	See Note 1
46	I/O	GPIO78	GPIO78	See Note 1
47	I/O	GPIO79	GPIO79	See Note 1
48	I/O	GPIO80	GPIO80	See Note 1
49	I/O	USER_BUTTON1# GPIO81	GPIO81	This pin is reserved as a soft reset input, active low.
50	I/O	USER_LED1# GPIO82	GPIO82	See Note 1
51	I/O	GPIO83	GPIO83	
52	I/O	USER_BUTTON2# GPIO84	GPIO84	See Note 1
53	I/O	USER_LED2# GPIO85	GPIO85	
54	I/O	GPIO86	GPIO86	
55	I/O	GPIO87	GPIO87	
56	I/O	GPIO93	GPIO93	
57	I/O	GPIO94	GPIO94	
58	I/O	GPIO95	GPIO95	
59	I/O	CAN0_RXD GPIO96	CAN_RX0	See Note 5
60	I/O	CAN0_TXD GPIO97	CAN_TX0	See Note 5
61	I/O	CAN1_RXD GPIO98	CAN_RX1	See Note 5
62	I/O	CAN1_TXD GPIO99	CAN_TX1	See Note 5
63	I/O	GPIO100	GPIO100	See Note 1
64	I/O	EIRQ3# GPIO101	GPIO101	See Note 1
65	I/O	I2C_SCL GPIO102	GPIO102	4k7 pull-up on module

X2 pin number	Type	Module Functionality	I/O Multiplexing	Comments
66	I/O	I2C_SDA GPIO103	GPIO103	4k7 pull-up on module
67	I	ADC_IN0	VIN0_ADC	Not Connected, Reserved
68	I	ADC_IN1	VIN1_ADC	Not Connected, Reserved
69	I	ADC_IN2	VIN2_ADC	Not Connected, Reserved
70	I	ADC_IN3	VIN3_ADC	Not Connected, Reserved
71	I	ADC_IN4	VIN4_ADC	Not Connected, Reserved
72	I	ADC_IN5	VIN5_ADC	Not Connected, Reserved
73	I	ADC_IN6	VIN6_ADC	Not Connected, Reserved
74	I	ADC_IN7	VIN7_ADC	Not Connected, Reserved
75	P	AGND_ADC	VSS_ADC	Not Connected, Reserved
76	P	VRED_ADC	VREF_ADC	Not Connected, Reserved
77	P	AGND_ADC	3.3V	
78	P	VREF_ADC	3.3V	
79	P		GND	
80	P		GND	

**Note 1:** This pin is defined in the table of the “Multiplexed GPIO Pins” section on page 51.

**Note 2:** For the ConnectCore 3G 9P 9215, the following pins are outputs with fixed functionality, and can be used to drive LEDs:

X2-11: Cellular link activity output.

X2-12: Cellular 3G connectivity indicator.

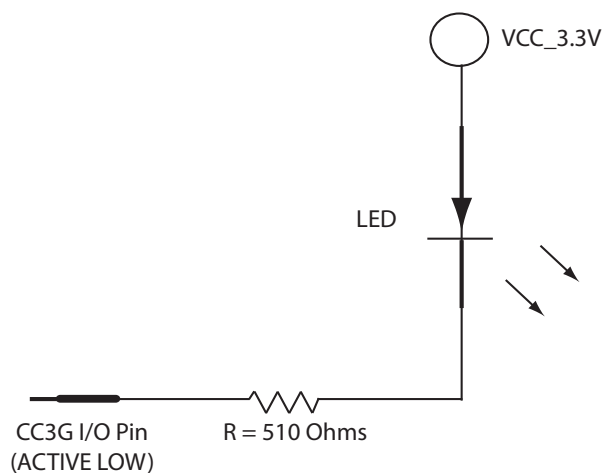
X2-13: Cellular signal strength (1st bar).

X2-16: Cellular signal strength (2nd bar).

X2-18: Cellular signal strength (3rd bar).

These signals are “ACTIVE LOW” and are intended to be used with LEDs to indicate cellular states. It is recommended to connect these IO pins in a “sinking circuit” as indicated in the figure on the next page:





**Note 3:** For the ConnectCore 3G 9P 9215, this pin is the cellular disable output and should be tied directly to CELL\_DISABLE\_N, pin X1-14.

**Note 4:** EIRQ2 is default configured to support the Wake-up button on the Development Board.

**Note 5:** See the “FIM” section on page 56 for more information.

## Configuration pins — Module

### Module pin configuration Dipswitch S4

Signal name	Function	PU/PD	Comment
LITTLE#/BIG_ENDIAN	Must be set to BIG_ENDIAN	PU	Signal LITTLE#/BIG_ENDIAN is connected to GPIO_A3/A27 through a 2k2 series resistor.
OCD_EN#	Not used	PU 10K	Not Connected, Reserved
SW_CONF0	See Note 1		Connected to A13 through a 2k2 series resistor.
SW_CONF1	See Note 1		Connected to A14 through a 2k2 series resistor.
SW_CONF2	See Note 1		Connected to A15 through a 2k2 series resistor.
SW_CONF3	See Note 1		Connected to A16 through a 2k2 series resistor.

**Note 1:** This pin is defined in the "Connector X2 Pins Available for a Python Application" section, which describes how the setting of this strapping will affect the capabilities of various I/O pins.



## Connector X2 Pins Available for a Python Application

The connector X2 GPIO pins are referenced in Python as the pin number on the X2 connector, not the GPIO number. For example, GPIO67 is connected to connector X2 pin 35. To control GPIO67, you will reference it using "X2\_35".

The ConnectCore 3G 9P 9215 module can be strapped to enable zero to three serial ports. The ConnectCore Wi-9P 9215 and the ConnectCore 9P 9215 modules can be strapped to enable zero to four serial ports. Serial port strapping is defined by the SW\_CONF0, SW\_CONF1, SW\_CONF2 and SW\_CONF3 switch settings on Dipswitch S4 which is next to the JTAG connector. The default is to have two serial ports enabled (Port B and Port D).

If Port A is defined as a serial port, it cannot be used by ZigBee. ZigBee is only available under the following conditions:

1. Port A is not strapped to be a serial port.
2. ZigBee is enabled.

Use Dipswitch S4 to configure the number of serial ports that are enabled. Changes to Dipswitch S4 are only sensed after a hard reset.

SW_CONF0	SW_CONF1	SW_CONF2	SW_CONF3	Number of Serial Ports Enabled
OFF	ON	ON	ON	0
ON	OFF	ON	ON	1 - Port B
ON	ON	ON	ON	2 - Port B, Port D (factory)
OFF	OFF	ON	ON	3 - Port B, Port D, Port A
ON	ON	OFF	ON	4 - Port B, Port D, Port A, Port C

Four serial ports are only available on the ConnectCore 9P 9215 and ConnectCore Wi-9P 9215.

Serial Port A must not be strapped as a serial port if Wake-up functionality is used. See the "External Interrupts" section on page 54 for more information.

The fewer serial ports enabled, the more GPIO pins available for a Python application.

**Available GPIO pins per number of serial ports enabled**

Product	0 Serial Ports	1 Serial Port	2 Serial Ports	3 Serial Ports	4 Serial Ports
ConnectCore 3G 9P 9215	42	34	26	18	N/A
ConnectCore 9P 9215 and ConnectCore Wi-9P 9215	50	42	34	26	18

If you are migrating to the ConnectCore 3G 9P 9215 from the ConnectCore Wi-9P 9215 or the ConnectCore 9P 9215, connector pins "X2\_11" - "X2\_18" will no longer be accessible. If you are migrating from the ConnectCore 3G 9P 9215 to the ConnectCore Wi-9P 9215 or the ConnectCore 9P 9215, connector pins "X2\_11" - "X2\_18" will now be accessible.

## Multiplexed GPIO Pins

The table below shows the available GPIOs available through the GPIO Python API.

The first column in the table lists the pin on the module connector. The second column lists the GPIO available when configured for zero serial ports. The third column for one port, and so on.

Some pins have dual purpose, such as GPIO68, which could also be used for EXT\_SIM\_VCC. So if the external SIM function is being used, GPIO68 is not available.

Module Pin (Python Name)	0 Serial Ports	1 Serial Port	2 Serial Ports	3 Serial Ports	4 Serial Ports	Comments
X2-3	GPIO0	GPIO0	GPIO0	DCDA	DCDA	If XBEE is enabled this signal is not available. Instead, it is used as XBEE_ON_SLEEP.
X2-4	GPIO1	GPIO1	GPIO1	CTSA	CTSA	If XBEE is enabled this signal is not available. Instead, it is used as XBEE_CTS.
X2-5	GPIO2	GPIO2	GPIO2	DSRA	DSRA	If XBEE is enabled this signal is not available. Instead, it is used as XBEE_DSR.
X2-6	GPIO3	GPIO3	GPIO3	RXDA	RXDA	If XBEE is enabled this signal is not available. Instead, it is used as XBEE_RXD.
X2-7	GPIO4	GPIO4	GPIO4	RIA	RIA	If XBEE is enabled this signal is not available. Instead, it is used as XBEE_RI.
X2-8	GPIO5	GPIO5	GPIO5	RTSA	RTSA	If XBEE is enabled this signal is not available. Instead, it is used as XBEE_RTS.



Module Pin (Python Name)	0 Serial Ports	1 Serial Port	2 Serial Ports	3 Serial Ports	4 Serial Ports	Comments
X2-9	GPIO6	GPIO6	GPIO6	DTRA	DTRA	If XBEE is enabled this signal is not available. Instead, it is used as XBEE_DTR.
X2-10	GPIO7	GPIO7	GPIO7	TXDA	TXDA	If XBEE is enabled this signal is not available. Instead, it is used as XBEE_TXD.
X2-11	GPIO8	GPIO8	GPIO8	GPIO8	DCDC	Cellular link activity output for ConnectCore 3G 9P 9215.
X2-12	GPIO9	GPIO9	GPIO9	GPIO9	CTSC	Cellular 3G connectivity indicator for ConnectCore 3G 9P 9215.
X2-13	GPIO10	GPIO10	GPIO10	GPIO10	DSRC	Cellular signal strength (1st bar) for ConnectCore 3G 9P 9215.
X2-14	GPIO11	GPIO11	GPIO11	GPIO11	RXDC	Not available for ConnectCore 3G 9P 9215.
X2-15	GPIO12	GPIO12	GPIO12	GPIO12	RIC	Not available for ConnectCore 3G 9P 9215.
X2-16	GPIO13	GPIO13	GPIO13	GPIO13	RTSC	Cellular signal strength (2nd bar) for ConnectCore 3G 9P 9215.
X2-17	GPIO14	GPIO14	GPIO14	GPIO14	DTRC	Not available for ConnectCore 3G 9P 9215.
X2-18	GPIO15	GPIO15	GPIO15	GPIO15	TXDC	Cellular signal strength (3rd bar) for ConnectCore 3G 9P 9215.
X2-19	GPIO51	DCDB	DCDB	DCDB	DCDB	
X2-20	GPIO52	CTSB	CTSB	CTSB	CTSB	
X2-21	GPIO53	DSRB	DSRB	DSRB	DSRB	
X2-22	GPIO54	RXDB	RXDB	RXDB	RXDB	
X2-23	GPIO55	RIB	RIB	RIB	RIB	
X2-24	GPIO56	RTSB	RTSB	RTSB	RTSB	
X2-25	GPIO57	DTRB	DTRB	DTRB	DTRB	
X2-26	GPIO58	TXDB	TXDB	TXDB	TXDB	
X2-27	GPIO59	GPIO59	DCDD	DCDD	DCDD	
X2-28	GPIO60	GPIO60	CTSD	CTSD	CTSD	
X2-29	GPIO61	GPIO61	DSRD	DSRD	DSRD	
X2-30	GPIO62	GPIO62	RXDD	RXDD	RXDD	
X2-31	GPIO63	GPIO63	RID	RID	RID	

Module Pin (Python Name)	0 Serial Ports	1 Serial Port	2 Serial Ports	3 Serial Ports	4 Serial Ports	Comments
X2-32	GPIO64	GPIO64	RTSD	RTSD	RTSD	
X2-33	GPIO65	GPIO65	DTRD	DTRD	DTRD	
X2-34	GPIO66	GPIO66	TXDD	TXDD	TXDD	
X2-35	GPIO67	GPIO67	GPIO67	GPIO67	GPIO67	
X2-36	GPIO68	GPIO68	GPIO68	GPIO68	GPIO68	
X2-37	GPIO69	GPIO69	GPIO69	GPIO69	GPIO69	
X2-38	GPIO70	GPIO70	GPU070	GPIO70	GPIO70	
X2-39	GPIO71	GPIO71	GPIO71	GPIO71	GPIO71	
X2-40	GPIO72	GPIO72	GPIO72	GPIO72	GPIO72	
X2-41	GPIO73	GPIO73	GPIO73	GPIO73	GPIO73	
X2-42	GPIO74	GPIO74	GPIO74	GPIO74	GPIO74	
X2-43	GPIO75	GPIO75	GPIO75	GPIO75	GPIO75	
X2-44	GPIO76	GPIO76	GPIO76	GPIO76	GPIO76	
X2-45	GPIO77	GPIO77	GPIO77	GPIO77	GPIO77	
X2-46	GPIO78	GPIO78	GPIO78	GPIO78	GPIO78	
X2-47	GPIO79	GPIO79	GPIO79	GPIO79	GPIO79	
X2-48	GPIO80	GPIO80	GPIO80	GPIO80	GPIO80	
X2-50	GPIO82	GIO82	GPIO82	GPIO82	GPIO82	User LED1
X2-52	GPIO84	GPIO84	GPIO84	GPIO84	GPIO84	User button2
X2-63	GPIO100	GPIO100	GPIO100	GPIO100	GPIO100	
X2-64	GPIO101	GPIO101	GPIO101	GPIO101	GPIO101	

## Module LEDs

The ConnectCore 9P 9215, the ConnectCore Wi-9P 9215 and ConnectCore 3G 9P 9215 modules have two on module LEDs: LE1 and LE2. During startup, LE1 will flash a repeating blink pattern for a major system failure; for example, a processor exception or power on self test failure. If startup is successful, you will see three blinks.

After startup, LE1 is available at the Python programming layer, via the `user_led_set()` function if you are using the ConnectCore 9P 9215 or the ConnectCore 3G 9P 9215 module.

After startup, LE1 and LE2 are used as follows for the ConnectCore Wi-9P 9215.

ID	Color	LED	Blink Pattern	Status/Activity
LE1	Green	Link Integrity	On	The unit is associated to an access point (infrastructure mode)
			Slow	The unit is in ad-hoc mode
			Quick	The unit is scanning for a network
LE2	Yellow	Network Activity	Blinking	Network traffic is received or transmitted
			Off	Network is idle

## External Interrupts

The Wake-up button can be used to exit from power-save mode. Serial Port A must NOT be strapped as a serial port if Wake-up functionality is used. EIRQ2 is default configured to support the Wake-up button on the Development Board.

## Interfaces

### 10/100 Mbps Ethernet port

The Digi NS9215 processor's 10/100 Mbps Ethernet MAC allows a glueless connection of a 3.3V MII PHY chip that generates the physical Ethernet signals.

The module has a MII PHY chip in a 56-pin QFN package on board. By default, the module does not have a transformer or Ethernet connector; the base board must provide these parts. However, it's possible to populate a specific RJ45 connector with magnetics on the module. The appropriate RJ-45 is Midcom MIC2412A-5108W-LF3.

A PHY clock of 25 MHz is generated in the PHY chip with a 25 MHz crystal.

GPIO90 is controlling the PHY RESET# signal. This GPIO has a 2k2 pull-down resistor to GND populated on the module. GPIO90 must be asserted high before PHY can be used. When not used, the PHY can be put in low-power mode by asserting GPIO90 low.

The PHY address on the MII bus is 0x7 (0b00111).

The module does not only provide access to the Ethernet signals coming out of the PHY, but supports also two status LEDs: ETH\_ACTIVITY# and ETH\_LINK#.

### UART

The ConnectCore 9P 9215 and ConnectCore Wi-9P 9215 modules provide up to four UART ports, the ConnectCore 3G 9P 9215 module provides up to three UART ports, used in asynchronous mode:

- Port A = X2\_3 to X2\_10
- Port B = X2\_19 to X2\_26
- Port C = X2\_11 to X2\_18 (Not available on the ConnectCore 3G 9P 9215)
- Port D = X2\_27 to X2\_34

The module supports baud rates up to 1.8432 Mbps in asynchronous mode. Each UART has a 64-byte TX and RX FIFO available.

For Python applications, the following table shows a cross reference with Python logical programmatic com port (i.e. "com0") to the physical com port (i.e. "Serial Port B").

**Port to Open in Python Applications**

Product	Serial Port A	Serial Port B	Serial Port C	Serial Port D	FIM 0	FIM 1
ConnectCore 3G 9P 9215	"com2"	"com0"	N/A	"com1"	"com3"	"com4"
ConnectCore 9P 9215 and ConnectCore Wi-9P 9215	"com2"	"com0"	"com3"	"com1"	"com4"	"com5"



## RTC

The RTC is integrated in the processor and has its own 32.768 KHz clock crystal.

- When powered by VBAT, RTC unit will function until VBAT (X1.78) reaches a threshold of 2.3 - 2.4V - then the internal unit switches off.
- The battery current without +3.3V power applied is up to 40µA. The current is used to power the RTC, 32.768kHz oscillator and 64-byte internal RAM.
- When the Development Board ships from the factory the battery is disabled. To enable the battery, place a jumper on the Development Board at J2.

## WLAN

In addition to the wired Ethernet interface, the ConnectCore Wi-9P 9215 module also offers an integrated dual-diversity 802.11a/b/g interface with data rates up to 54 Mbps. Two U.FL antenna connectors are provided on the module.

## WWAN

The ConnectCore 3G 9P 9215 offers 3G connection technologies by using the Qualcomm Gobi PCIe module.

## FIM

The Flexible Interface Modules (FIM) are based on two independent 8-bit DRPIC1655X cores running at 300 MHz maximum core clock (4x NS9215 bus speed) with 192-byte data and 2 KB program SRAM. The FIMs allow the flexible software-based selection of Digi-provided application specific hardware interfaces such as UART, SD/SDIO, 1-Wire, CAN bus, and others.

To use the FIMS (Flexible Interface Modules) for CAN bus or additional serial ports, you will be using the FIM Application Kit. The FIM application kit is not supplied with the development kit. You need to purchase "Product: Application Kit - FIM". There are two available FIMs that can be used in combinations of CAN bus and serial port(s).

The FIM Application Kit provides interfaces to test the different firmware implemented on the FIMs of the ConnectCore 3G 9P 9215, ConnectCore Wi-9P 9215 and ConnectCore 9P 9215 modules. The FIMs are 8-bit microcontrollers embedded in the main microcontroller of the modules.

The current implementation does not support dual CAN bus. CAN bus is only supported on FIM0, and can only be accessed using Python. Both Serial FIM0 and Serial FIM1 can be used for additional serial ports. The ports can only be accessed using Python. For more detailed information, see the links below:

- FIM Application Kit Quick Start Guide:  
[http://ftp1.digi.com/support/documentation/90001076\\_A.pdf](http://ftp1.digi.com/support/documentation/90001076_A.pdf)



- FIM Application Kit Hardware Reference Manual:  
[http://ftp1.digi.com/support/documentation/90001074\\_A.pdf](http://ftp1.digi.com/support/documentation/90001074_A.pdf)
- FIM Application Kit Schematics:  
[http://ftp1.digi.com/support/documentation/90001104\\_A.pdf](http://ftp1.digi.com/support/documentation/90001104_A.pdf)

### USB Host

The ConnectCore 3G 9P 9215 has a high speed USB Host controller, capable of handling external mass storage devices (i.e., USB Flash Drivers) or a Digi Watchport Camera.

### Antenna

**Note:** When disconnecting U.FL connectors, the use of U.FL plug extraction tool (Hirose P/N U.FL-LP-N-2 or U.FL-LP(V)-N-2) is strongly recommended to avoid damage to the U.FL connectors on the ConnectCore Wi-9P 9215 and ConnectCore 3G 9P 9215 modules.

To mate U.FL connectors, the mating axes of both connectors must be aligned. The "click" will confirm fully mated connection.

Do not attempt insertion at an extreme angle.



### ConnectCore 3G 9P 9215 WWAN

The ConnectCore 3G 9P 9215 Development Board and module contains several RF connectors, as well as the two connectors located on the Gobi 3000 module (refer to the diagrams on the following page).

**Cellular RF Path:** The cellular RF path is established when the Gobi 3000 module MAIN connector is cabled directly to the back of the ConnectCore 3G 9P 9215 J2 connector. The cellular antenna is connected to J2.

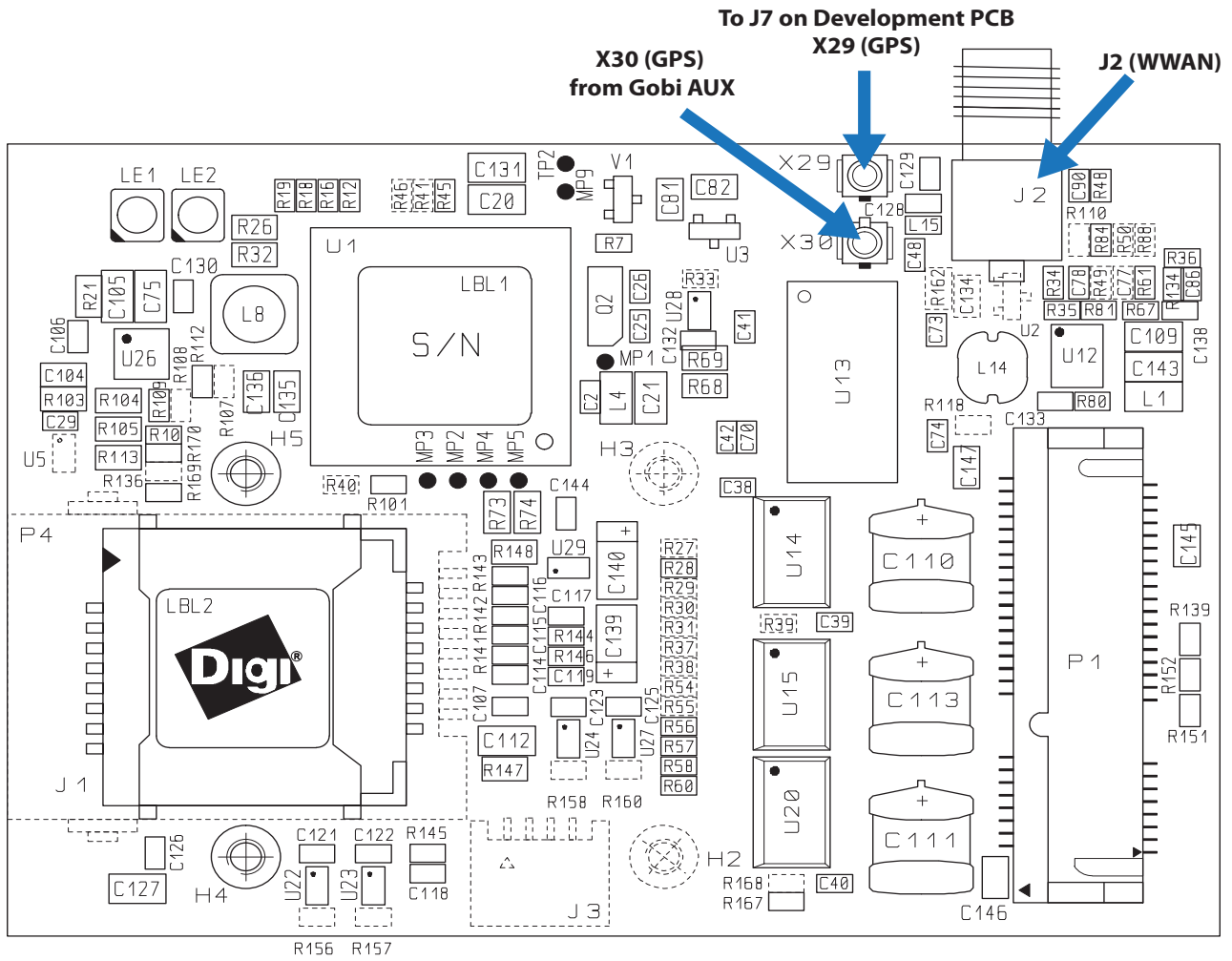
**Note:** This is how the module is certified and any deviation from this configuration will require re-certification.)

**GPS RF Path:** The GPS RF path has two possible configurations, based on the GPS antenna: Active and Passive. Digi supplies an Active antenna.

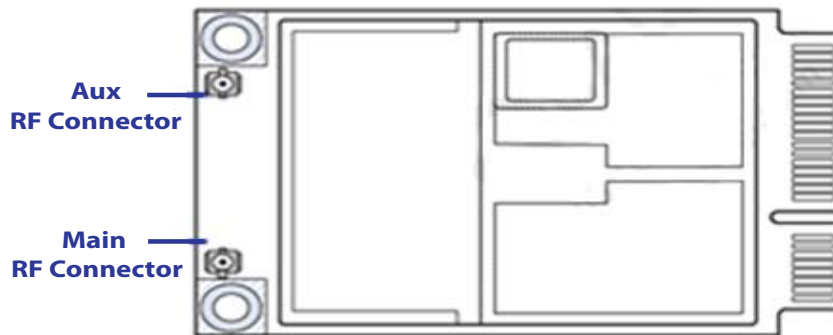
When using an active GPS antenna, the Gobi 3000 module AUX connector is cabled to the ConnectCore 3G 9P 9215 X30 connector, and the ConnectCore 3G 9P 9215 X29 connector is cabled to the Development Board Cellular Secondary connector X31. When an Active GPS antenna is connected to the Development Board at J7, GPS traffic is then available to the module.

When using a Passive GPS antenna, the Gobi 3000 AUX connector could be cabled directly to the Development Board Cellular Secondary connector X31. A Passive GPS antenna is connected at J7.

## ConnectCore 3G 9P 9215 Module



## Gobi 3000 Module



### Power

#### Power supply

The module has +3.3V and VLIO supply pins.

VLIO can be connected either to a Li-Ion battery (2.5V - 5.5V) in a mobile application, or it can be connected directly to +3.3V. Connecting VLIO to a battery causes efficiency to be gained without an additional voltage regulator.

#### Internal voltage

The internal 1.8V core voltage is generated through a high-efficiency synchronous step-down converter, which uses VLIO as input voltage. The core voltage regulator can provide up to 600mA.

# About the Development Board

## C H A P T E R 2

The ConnectCore 9P 9215 Development Board supports the ConnectCore 9P 9215 Family of modules. This chapter describes the components of the Development Board and explains how to configure the board for your requirements.

The Development Board has two 4x20 pin connectors that are 1:1 copies of the module pins.

### What's on the Development Board?

- RJ-45 Ethernet connector
- Four RP-SMA antenna connectors.
  - Connection to module via U.FL connectors
- Four serial interface connectors:
  - 1 x UART B MEI (RS232/RS4xx) with status LEDs on SUB-D 9-pin connector (X6)
  - 1 x UART D RS232 with status LEDs, on SUB-D 9-pin connector (X3)
  - 1 x UART C with TTL levels shared with HDLC signals on 10-pin header (X5)
  - 1 x UART A with TTL levels shared with SPI signals on 10-pin header (X4)
- Socket for XBee<sup>®</sup> module
- Peripheral application header
  - Including access to 16-bit data/10-bit address bus signals
- Headers with 1:1 copies of the module pins (X1/X2)
- Two user pushbuttons, two user LEDs, one wake-up button
- Eight-position configuration dip switches

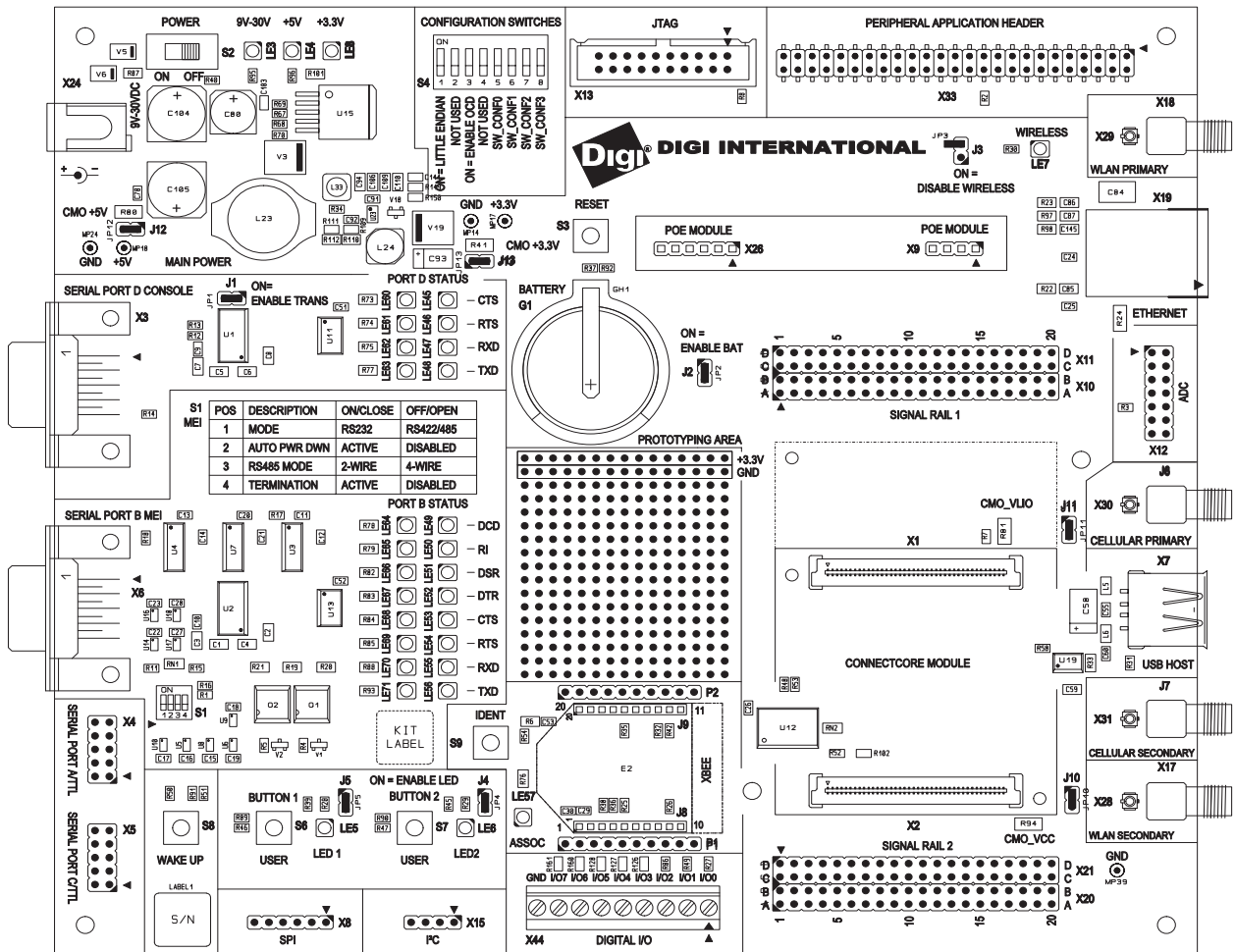
- Four each for hardware/software configuration
  - GPIO screw-flange connector
  - +9/30VDC power supply
- Current measurement option
  - Development Board + module, and module alone
  - 3.3V coincell battery with socket
  - PoE connectors for optional 802.3af PoE Application Kit (P/N DG-ACC-POE)
  - Prototyping area (15 x 28 holes) with +3.3V and GND connections

## ConnectCore 3G 9P 9215 Specifics

- USB host connector
- 2 x SMA antenna connectors for cellular/GPS antennas

Connection to module via U.FL connectors

## ConnectCore 9P 9215 Development Board



## User interface

---

The ConnectCore 9P 9215 Development Board implements two user buttons and two user LEDs, in addition to those provided on the module.

The user LEDs on the Development Board can be enabled or disabled by population option jumper J4 & J5.

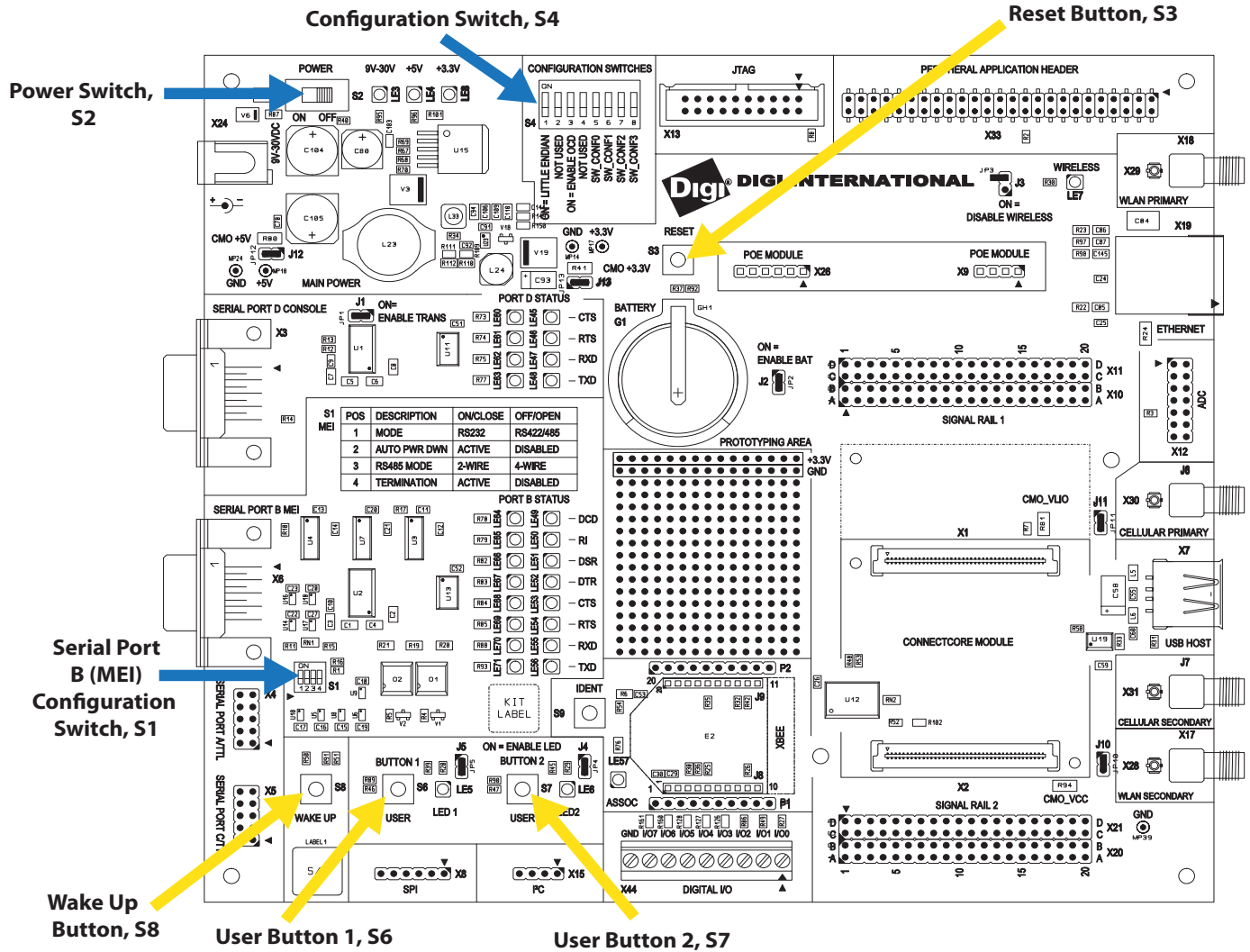
The table below shows which NS9215 GPIO is available for implementing the user interface.

Signal name	GPIO used	Comments
USER_BUTTON1	GPIO81	10k pull-up to +3.3V on the Development Board
USER_LED1#	GPIO82	Remove jumper J5 to isolate (and disable) LED (LE5)
USER_BUTTON2	GPIO84	10k pull-up to +3.3V on the Development Board
USER_LED2#	GPIO85	Remove jumper J4 to isolate (and disable) LED (LE6)



# Switches and Pushbuttons

## ConnectCore 9P 9215 Development Board



### Reset control, S3

The reset pushbutton, S3, resets the module. On the module, RSTOUT# and PWRGOOD are produced for peripherals. A pushbutton allows manual reset by connecting RSTIN# to ground.

### Power switch, S2

The Development Board has an ON/OFF switch, S2. The power switch, S2, can switch both 9V-30V input power supply and 12V coming out of the PoE module. However, if a power plug is connected in the DC power jack, the PoE module is disabled.

## User pushbuttons, S6 and S7

Use the user pushbuttons to interact with the applications running on the ConnectCore 9P 9215 and ConnectCore Wi-9P 9215 modules. Use these module signals to implement the pushbuttons:

Signal name	Switch (pushbutton)	GPIO used
USER_PUSH_BUTTON_1	S6	GPIO81
USER_PUSH_BUTTON_2	S7	GPIO84

**Note:** User Button 1 has reserved functionality. A quick button press causes a soft reset. Holding the button at power-up for 20 seconds, then releasing, will factory default the module.

## Legend for multi-pin switches

Switches 1 and 4 are multi-pin switches. In the description tables for these switches, the pin is designated as *S[switch number].[pin number]*. For example, pin 1 in switch 4 is specified as S4.1.

## Module configuration switches, S4

Use S4 to configure the module:

Switch pin	Function
S4.1	On = Little endian Off = Big endian
S4.2	Not used
S4.3	On = ARM Debug Off = Boundary Scan
S4.4	Not used
S4.5 – S4.8	Used for application configuration settings.

**Note:** When running Linux based applications, always select Little Endian. All other applications must use Big Endian. Failure to do so will prevent your board from running or booting.

## Wake-up button, S8

The wake-up pushbutton, S8, generates an external interrupt to the module's NS9215 processor using the EIRQ2 signal.

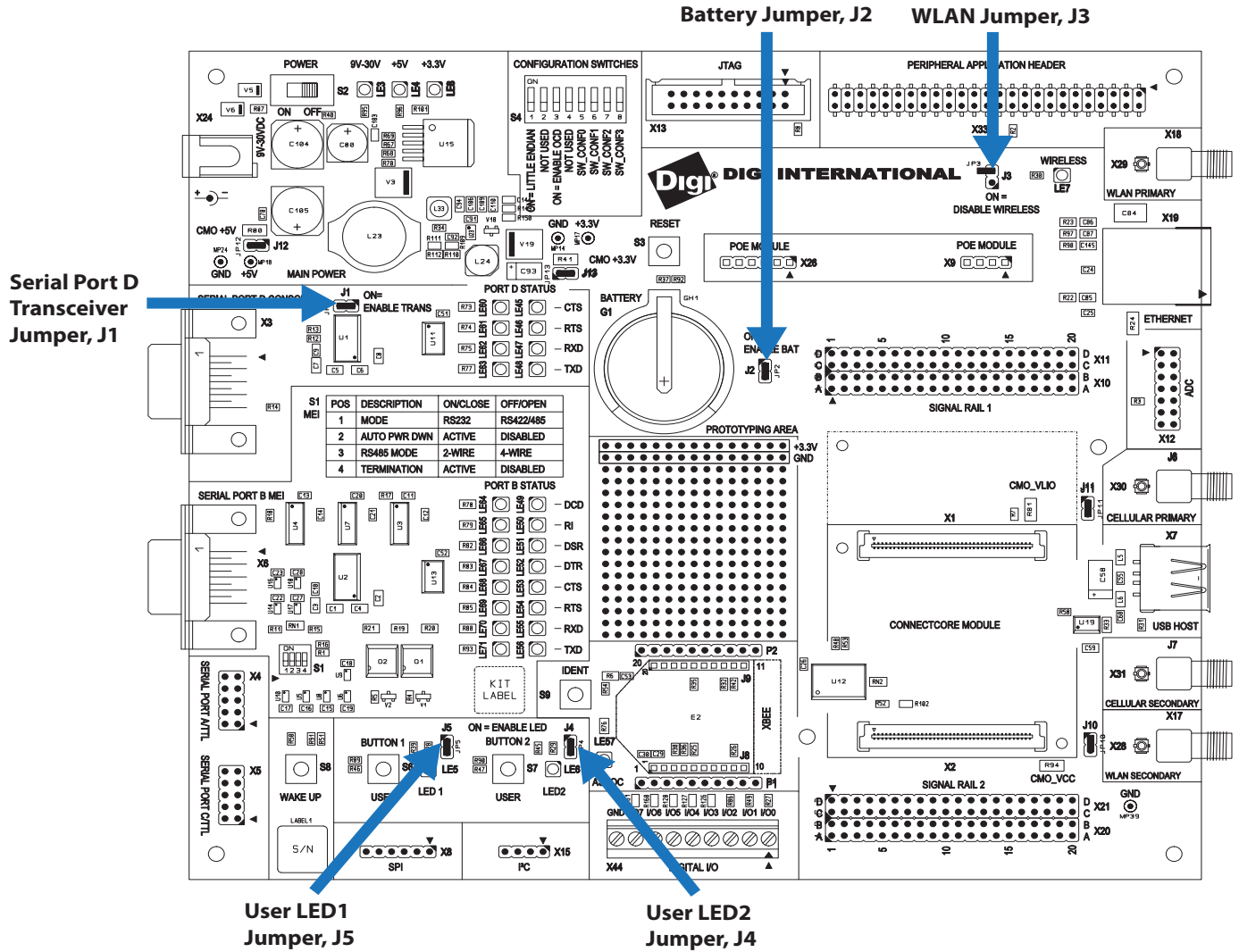
## Serial Port B MEI configuration switches, S1

Use S1 to configure the line interface for serial port B MEI:

Switch pin	Function	Comments
S1.1	On = RS232 transceiver enabled RS422/RS485 transceivers disabled Off = RS232 transceiver disabled RS422/RS485 transceivers enabled	
S1.2	On = Auto Power Down enabled Off = Auto Power Down disabled	Auto Power Down is not supported on this board. This signal is only accessible to permit the user to completely disabled the MEI interface for using the signals for other purposes. To disable the MEI interface, go into RS232 mode (S1.1 = ON) and activate the Auto Power Down feature (S1.2 = ON) - be sure that no cable is connected to connector X3.
S1.3	On = 2-wire interface (RS422/RS485) Off = 4-wire interface (RS422)	
S1.4	On = Termination on Off = No termination	

# Jumpers

## ConnectCore 9P 9215 Development Board



## Jumper functions

Jumper	Name	If connection made	Default
J1	Enable transceiver	This jumper allows a user to disable the console RS232 transceiver.	Connection made = console active
J2	Battery enable	Supplies the real time clock with 3V from the battery (lithium coin cell battery, G1) even if the board is switched off. This is for keeping time in the RTC.	Connection not made = Backup battery disabled
J3	WLAN_DISABLE#	Disables the WiFi unit on the module.	Connection made = WLAN disabled
J4	USER_LED2#	Enables User LED2 (LE6) to show the status of this signal (lit if low).	Connection made = User LED2 enabled
J5	USER_LED1#	Enables User LED1 (LE5) to show the status of this signal (lit if low).	Connection made = User LED1 enabled

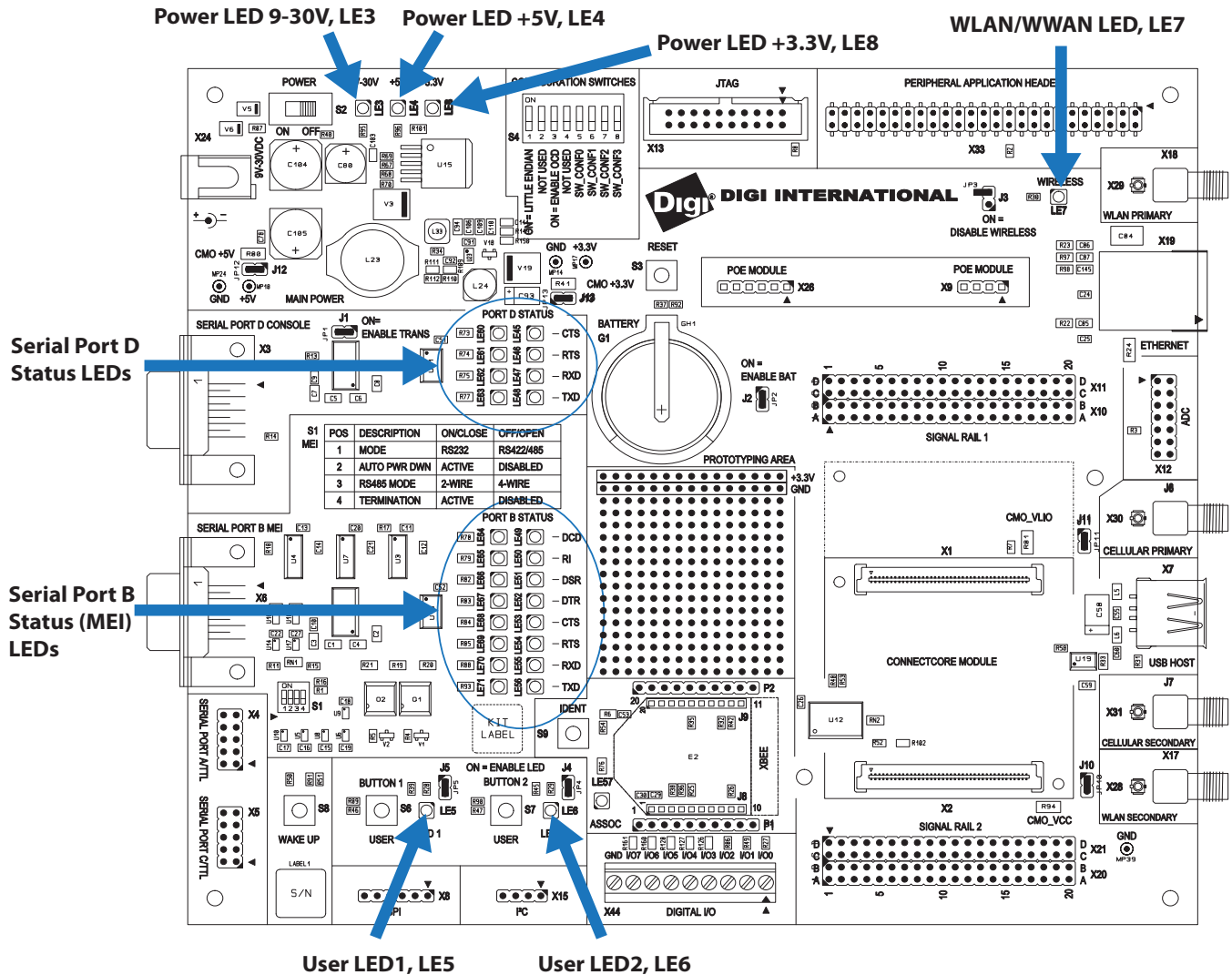
**Note:** The User LEDs are specific to the ConnectCore 3G 9P 9215 module:  
 USER\_LED2 - indicated GPS lock  
 USER\_LED1 - available through the Python GPIO API

## Battery and Battery Holder

Battery Holder	Battery
Coin-Cell Holder for CR2477 Battery, THT	Lithium coin cell, CR2477, 24mm, 950mAh
Keystone 1025-7	Panasonic CR2477
Ettinger 15.61.252	Renata CR2477N

# LEDs

## ConnectCore 9P 9215 Development Board



### WLAN LED LE7

LED indicating WLAN activity.

### Power LEDs, LE3 and LE4

The power LEDs are all red LEDs. These power supplies must be present and cannot be switched:

ConnectCore 3G 9P 9215 - LED indicating WWAN activity (directly connected to the PCIe connector pin 42).

- LE3 ON indicates the +9VDC / +30VDC power is present.
- LE4 ON indicates the +5VDC power is present.

- LE8 ON indicates the +3.3VDC power is present.

### User LEDs, LE5 and LE6

The user LEDs are controlled through applications running on the ConnectCore 9P 9215 Family of modules, if jumpers J5 and J4 are inserted. Use these module signals to implement the LEDs:

Signal name	LED	GPIO used
USER_LED1#	LE5	GPIO82
USER_LED2#	LE6	GPIO85

**Note:** On the ConnectCore 3G 9P 9215, USER\_LED2 is reserved for the GPS lock indication.

### Serial status LEDs

The Development Board has two sets of serial port LEDs — four for serial port D and eight for serial port B. The LEDs are connected to the TTL side of the RS232 or RS422/485 transceivers.

- Green means corresponding signal high.
- Red means corresponding signal low.
- The intensity and color of the LED will change when the voltage is switching.

### Status LEDs Serial Port D LEDs

LED reference	Function
RED	GREEN
LE60	LE45
LE61	LE46
LE62	LE47
LE63	LE48
	CTSD#/GPIO60
	RTSD#/GPIO64
	RXDD/GPIO62
	TXDD/GPIO66

### Status LEDs Serial Port B LEDs

LED reference	Function
RED	GREEN
LE64	LE49
LE65	LE50
LE66	LE51
LE67	LE52
LE68	LE53
	DCDB#/GPIO51
	RIB#/GPIO55
	DSRB#/GPIO53
	DTRB#/GPIO57
	CTSB#/GPIO52

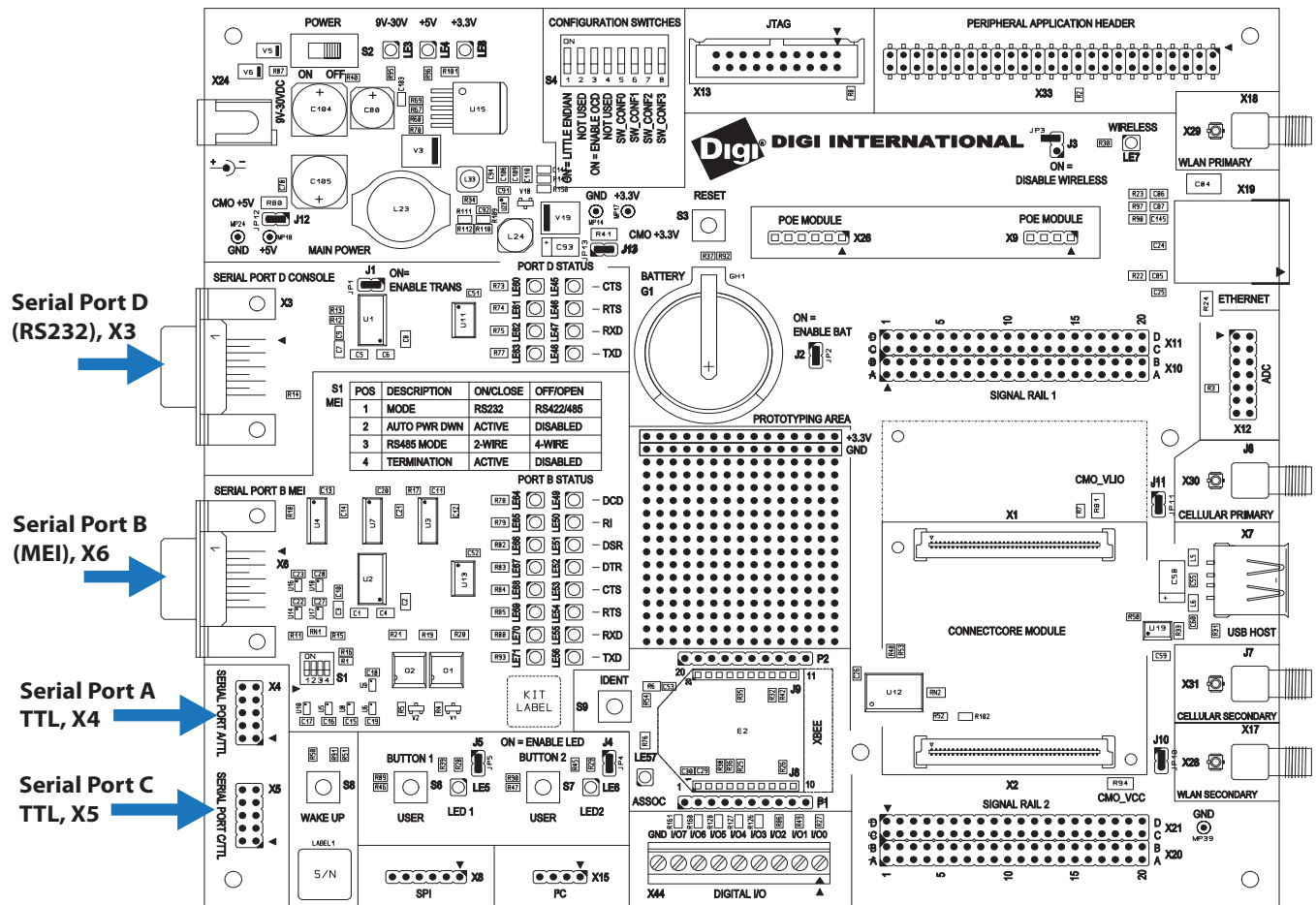
LED reference	Function	
LE69	LE54	RTSB#/GPIO56
LE70	LE55	RXDB/GPIO54
LE71	LE56	TXDB/GPIO58

**Note:** For more information please see the ConnectCore 9P 9215 schematics document online.

## Serial UART Ports

The Development Board supports the four serial ports available on the ConnectCore 9P 9215 and ConnectCore Wi-9P 9215 modules, including the three serial ports available on the Connect Core 3G 9P 9215. (ConnectCore 9P 9215 Port C is not available on the Connect Core 3G 9P 9215.)

### ConnectCore 9P 9215 Development Board





### Serial port D, RS232

The serial (UART) port D connector, X3, is a DB9 male connector and is also used as the standard console. This asynchronous serial port is DTE and requires a null-modem cable to connect to a computer serial port.

The serial port D interface corresponds to NS9215 UART port D. The line driver is enabled or disabled using jumper J1.

Serial port D pins are allocated as shown:

Pin	Function	Connector X2 Pin	Defaults to
1	DCD#	X2_27	GPIO59
2	RXD	X2_30	GPIO62
3	TXD	X2_34	GPIO66
4	DTR#	X2_33	GPIO65
5	GND		
6	DSR#	X2_29	GPIO61
7	RTS#	X2_32	GPIO64
8	CTS#	X2_28	GPIO60
9	RIB#	X2_31	GPIO63

By default, Serial D signals are configured to their respective GPIO signals.

It is the responsibility of the driver to configure them properly.

### Serial port A, TTL interface

The serial (UART) port A interface is a TTL interface connected to a 2x5 pin, 0.1" connector, X4. The connector supports only TTL level.

The serial port A interface corresponds to NS9215 UART port A.

Serial port A pins are allocated as shown:

Pin	Function	Connector X2 Pin	Defaults to	Comment
1	DCDA#/SPI_EN#	X2_3	GPIO0	Can be programmed as SPI enable to X4
2	DSRA#	X2_5	GPIO2	
3	RXDA/SPI_RXD	X2_6	GPIO3	Can be programmed as SPI receive data to X4
4	RTSA#/SPI_CLK	X2_8	GPIO5	Can be programmed as SPI clock to X4
5	TXDA/SPI_TXD	X2_10	GPIO7	Can be programmed as SPI transmit data to X4
6	CTSA#	X2_4	GPIO1	
7	DTRA#	X2_9	GPIO6	
8	RIA#/EIRQ2	X2_7	GPIO4	This signal is default configured to support the wake-up button on the Development Board..

Pin	Function	Connector X2 Pin	Defaults to	Comment
9	GND			
10	3.3V			

By default, Serial A signals are configured to their respective GPIO signals. It is the responsibility of the driver to configure them properly.

Serial port A must not be connected if SPI, WakeUp, or XBee module functionality is used.

### Serial port A, XBee socket

The XBee socket consists of two separate connectors J8 and J9. The XBee pinning counts counter-clockwise, so pin 1 of J9 is pin 20 of the module. All pins are connected 1:1 to a pin row to enable the usage of unconnected pins.

Pin	Function	Connector X2 Pin	Defaults to	Comments
1	VCC			Onboard 3.3V
2	RXDA/SPI_RXD/GPIO3	X2_6	GPIO3	Can be programmed as SPI receive data to X4
3	TXDA/SPI_TXD/GPIO7	X2_10	GPIO7	Can be programmed as SPI transmit data to X4
4	NC			
5	DSRA#/GPIO2/ XBEE_RESET#	X2_5	GPIO2	
6	NC			
7	NC			
8	NC			
9	DTRA#/GPIO6/SLEEP_RQ	X2_9	GPIO6	
10	GND			
11	NC			
12	CTSA#/GPIO01	X2_4	GPIO1	
13	DCDA#/SPI_EN#/GPIO0/ XBEE_ON_SLEEP#	X2_3	GPIO0	
14	NC			
15	ASSOC		ASSOC	LED output of XBEE module (LE57 on dev-board)
16	RTSA#/SPI_CLK/GPIO5	X2_8	GPIO5	Can be programmed as SPI clock on X4

Pin	Function	Connector X2 Pin	Defaults to	Comments
17	NC			
18	NC			
19	NC			
20	IDNET		IDENT	Connected to S9 on dev-board

### Serial port C, TTL interface

The serial (UART) port C interface is a TTL interface connected to a 2x5 pin, 0.1" connector, X5. The connector supports only TTL level.

The serial port C interface corresponds to the NS9215 UART port C. The signals are shared with the HDLC interface.

Serial port C pins are allocated as shown:

Pin	Function	Connector X2 Pin	Defaults to	Comments
1	DCDC#/TXCLKC	X2-11	GPIO8.	
2	DSRC#	X2-13	GPIO10.	
3	RXDC#	X2-14	GPIO11	
4	RTSC#/RXCLKC	X2-16	GPIO13	
5	TXDC	X2-18	GPIO15	
6	CTSC#	X2-12	GPIO9	
7	DTRC#/TXCLKC	X2-17	GPIO14	
8	RIC#/RXCLKC/GPIO 12	X2-15	RESET_DONE (see note)	
9	GND			
10	3.3V			

**Note:** If using GPIO12 as RIC#, be sure to populate a series resistor on the Development Board. This is necessary to avoid conflict between the default configuration of the GPIO when booting (RESET\_DONE / output) and the chosen configuration once booted (RIC# / input).

By default, Serial C signals are configured to their respective GPIO signals, except for GPIO12. It is the responsibility of the driver to configure them properly.



## Serial port B, MEI interface

The serial (UART) port B connector, X6, is a DB9 male connector. This asynchronous serial port is DTE and requires a null-modem cable to connect to a computer serial port.

The serial port B MEI (Multiple Electrical Interface) interface corresponds to NS9215 UART port B. The line drivers are configured using switch S1.

Note that all pins on S1 contribute to the line driver settings for this port.

Serial port B pins are allocated as shown:

Pin	RS232 function	RS232 default	Connector X2 Pin	RS485 function	RS485 default
1	DCD#	GPIO51	X2-19	CTS-	n/a
2	RXD	GPIO54	X2-22	RX+	GPIO54
3	TXD	GPIO58	X2-26	TX+	GPIO58
4	DTR#	GPIO57	X2-25	RTS-	n/a
5	GND			GND	
6	DSR#	GPIO53	X2-21	RX-	n/a
7	RTS#	GPIO56	X2-24	RTS+	GPIO56
8	CTS#	GPIO52	X2-20	CTS+	GPIO52
9	RI#	GPIO55	X2-23	TX-	n/a

By default, Serial B signals are configured to their respective GPIO signals.

It is the responsibility of the driver to configure them properly.



## I<sup>2</sup>C digital I/O expansion

The Development Board provides a 3.81mm (1.50") green terminal block, X44, for additional digital I/Os. The I<sup>2</sup>C I/O port chip is on-chip ESD-protected, and provides an open drain interrupt output.

The I/O expander is a Philips PCA9554D at I<sup>2</sup>C address 0x20 / 0x21. The pins are allocated as shown:

Pin	Signal
1	IO_0
2	IO_1
3	IO_2
4	IO_3
5	IO_4
6	IO_5
7	IO_6
8	IO_7
9	GND





## Pin allocation

SPI connector pins are allocated as shown:

Pin	Signal
1	+3.3V
2	TXDA/SPI_TXD/GPIO7
3	RXDA/SPI_RXD/GPIO3
4	RTSA#/SPI_CLK/GPIO5
5	DCDA#/SPI_EN#/GPIO0
6	GND



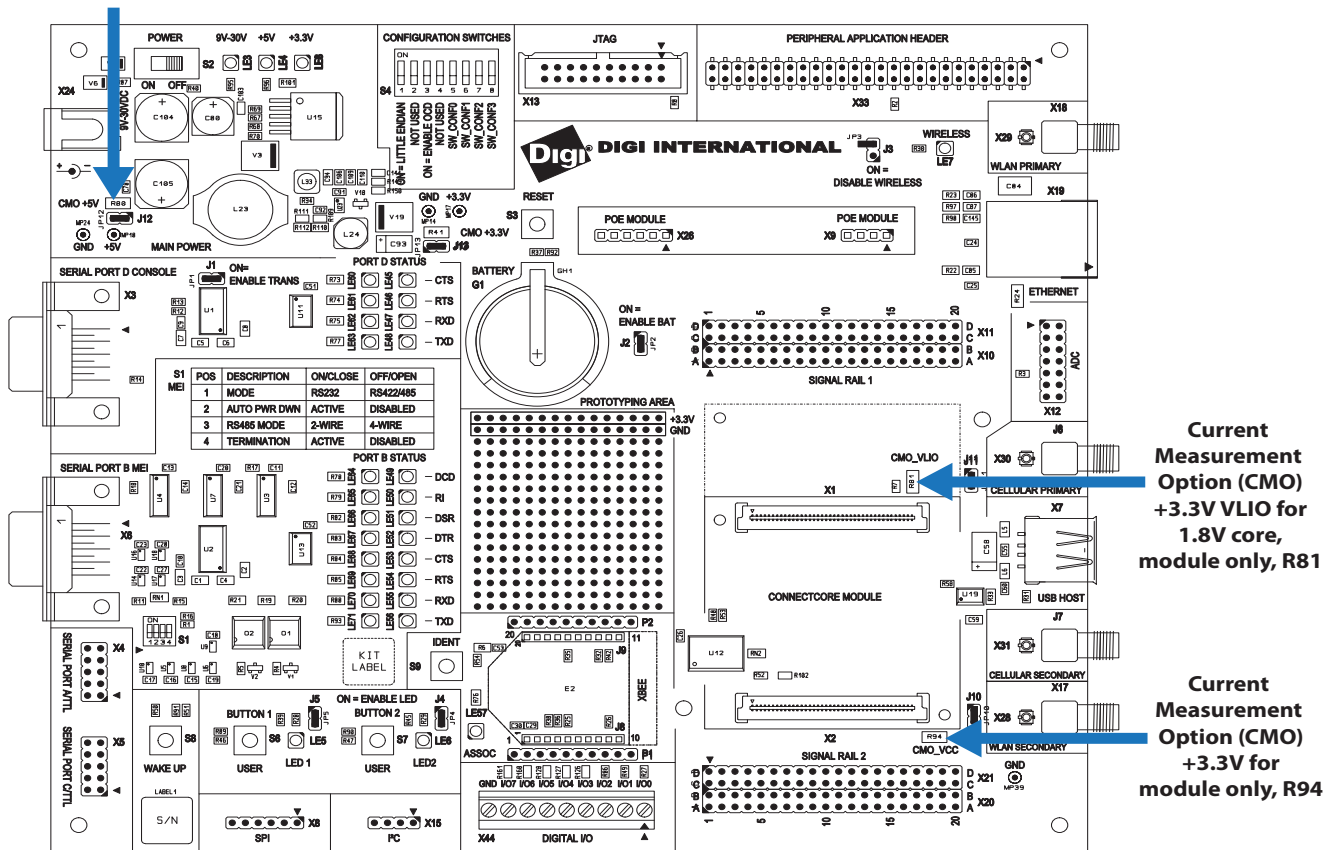
## Current Measurement Option

The Current Measurement Option uses 0.025R ohm series resistors to measure the current. The ConnectCore 9P 9215 Development Board allows a user to measure:

- the current used by the Development Board and module (through R80), and
- the current used by the internal NS9215 1.8V core generated from VLIO using a high-efficiency synchronous step-down converter (through R81)

### ConnectCore 9P 9215 Development Board

Current Measurement Option (CMO) +3.3V development board and module, R80



### How the CMO works

To measure the load current used on different power supplies, measure DC voltage across the sense (CMO) resistor. The value of the resistor is 0.025R ± 1%. Calculate the current using this equation:  $I = U/R$

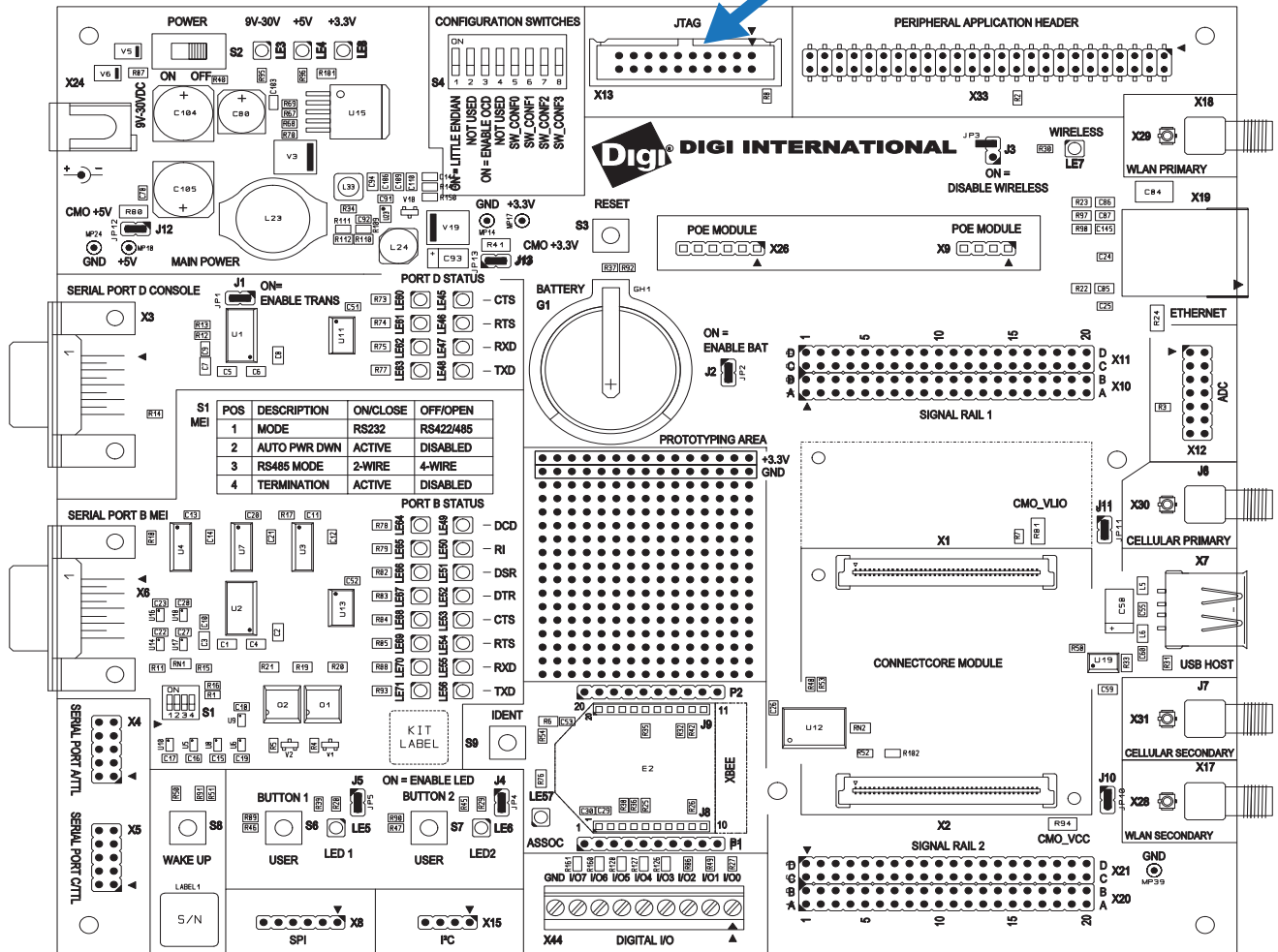
where

- $I$  = current in Amps
- $U$  = measured voltage in Volts
- $R$  = 0.025 Ohms

# JTAG Interface

## ConnectCore 9P 9215 Development Board

JTAG Multi-Ice Connector, X13



### Standard JTAG ARM connector, X13

The standard JTAG ARM connector is a 20-pin header and can be used to connect development tools such as Digi's JTAG Link, ARM's Multi-ICE, Abatron BDI2000, and others.

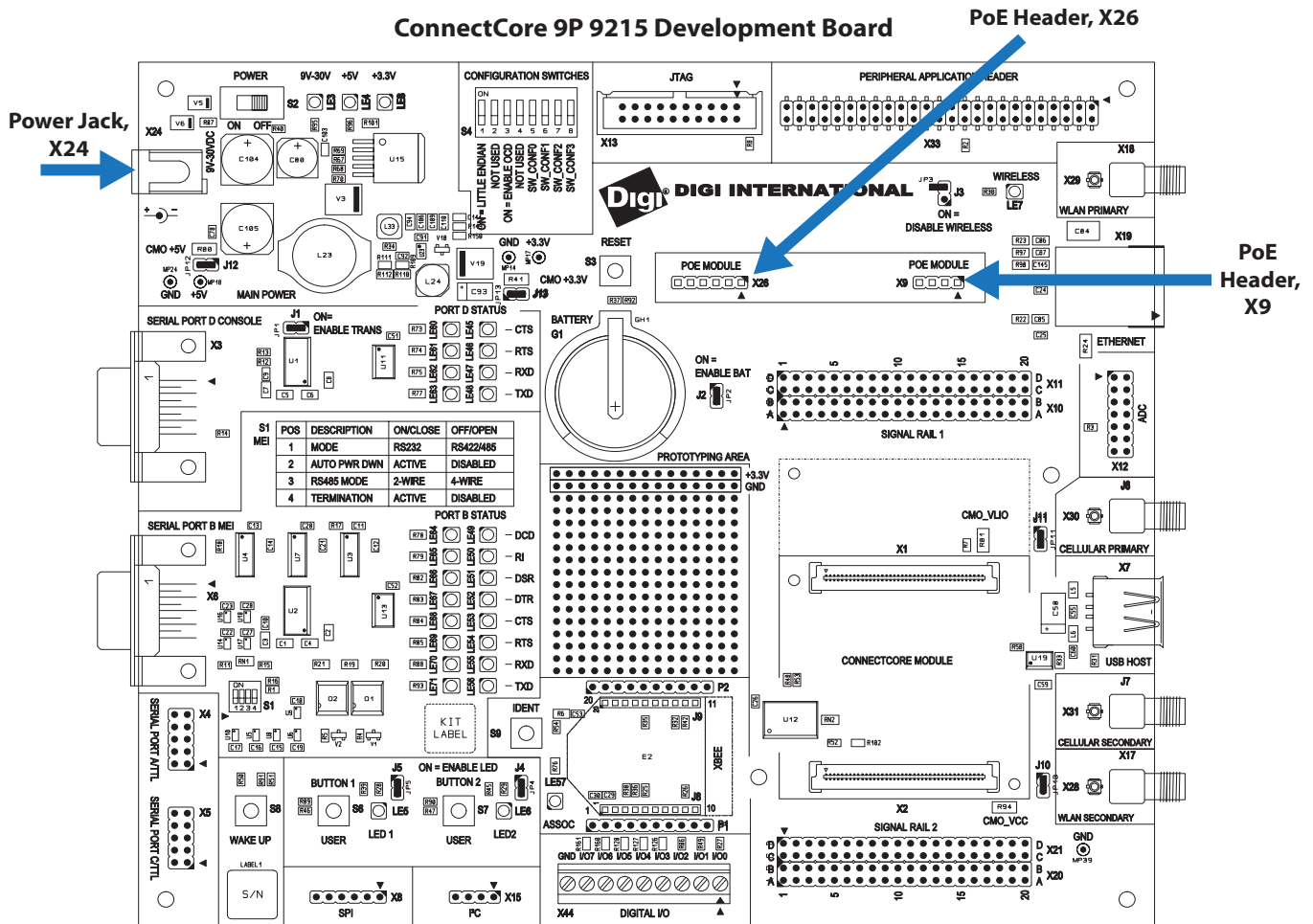
Pin	Signal	Pin	Signal
1	+3.3V	2	+3.3V
3	TRST#	4	GND
5	TDI	6	GND
7	TMS	8	GND
9	TCK	10	GND
11	RTCK (optional)	12	GND
13	TDO	14	GND
15	SRESET#	16	GND
17	No connect	18	GND
19	No connect	20	GND

## PoE module connectors - IEEE802.3af

The Development Board has two PoE module connectors, X9 and X26. The PoE module is an optional accessory item that can be plugged on the Development Board through two connectors:

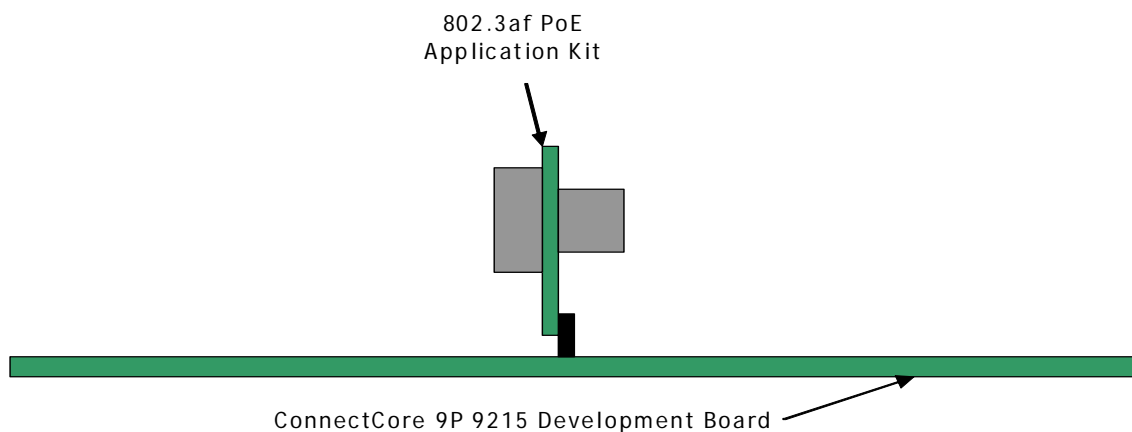
- X9, input connector: Provides access to the PoE signals coming from the Ethernet interface.
- X26, output connector: Provides the output power supply from the PoE module.

**Note:** The PoE interface is only available for the ConnectCore 9P 9215 module.



### The 802.3af PoE Application Kit

Plug in the 802.3af PoE Application Kit (P/N DG-ACC-POE) at a right angle to the Development Board, as shown in the following drawing:



#### X9

PoE input connector pins are allocated as shown:

Pin	Signal
1	POE_TX_CT
2	POE_RX_CT
3	POE_RJ45_4/5
4	POE_RJ45_7/8

#### X26

PoE output connector pins are allocated as shown:

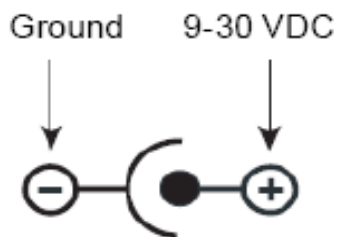
Pin	Signal
1	+12V_PoE
2	+12V_PoE
3	GND
4	GND
5	PoE_GND
6	PoE_GND

**POE\_GND**

The Development Board provides access to POE\_GND allowing it to be turned off when power is provided through the power jack, X26.4 and X26.5.

**Power Jack, X24**

The power jack is a barrel connector with 9-30VDC operating range. The power jack is labeled X24 on the Development Board. The following figure schematically represents the power jack's polarity.

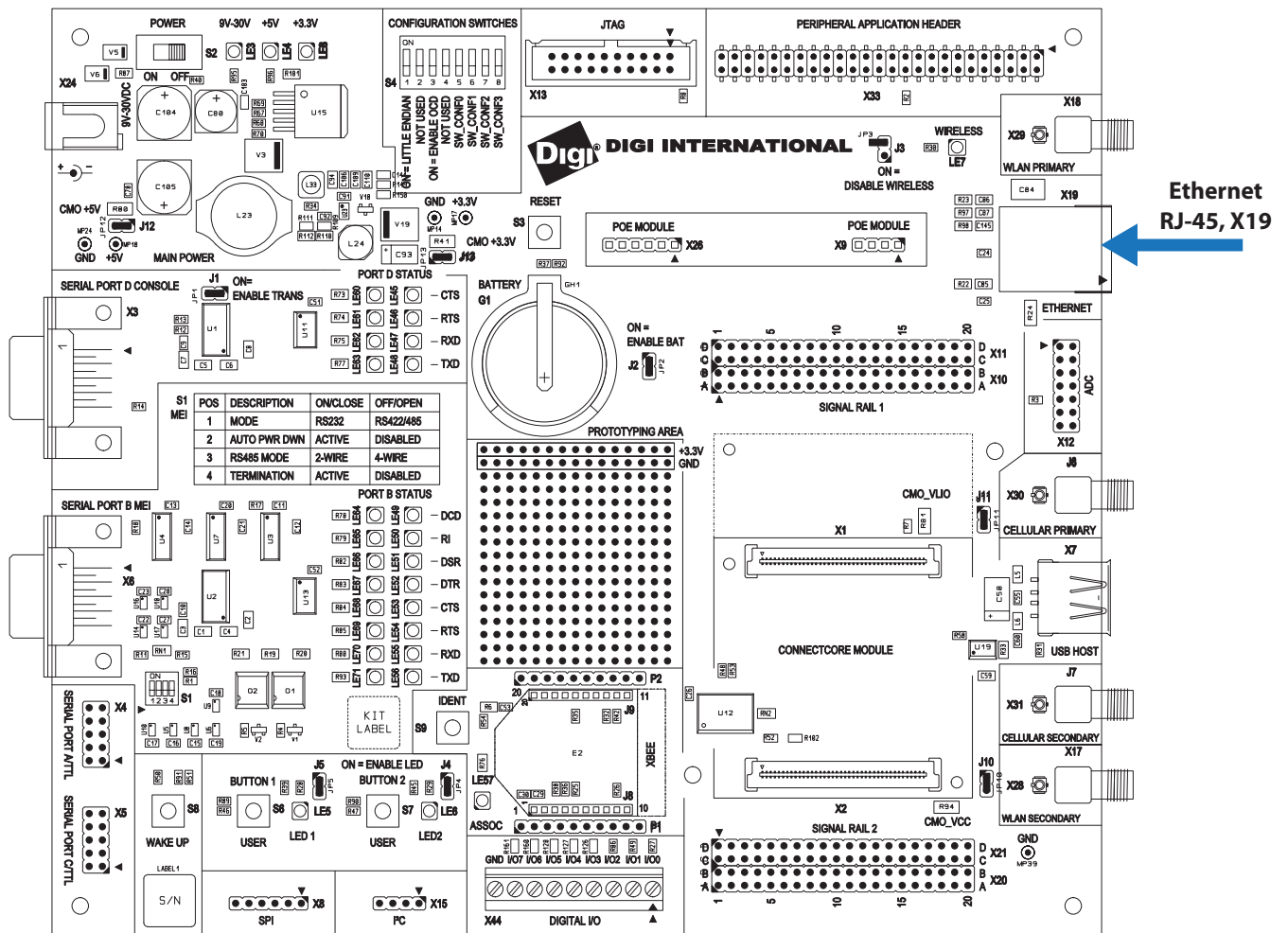


# Ethernet Interface

The module provides the 10/100 Ethernet PHY chip. The Development Board provides the 1:1 transformer and Ethernet connector.

The Ethernet connector is an 8-wire RJ-45 jack, labeled X19 on the Development Board. The connector has eight interface pins, as well as two integrated LEDs that provide link status and network activity information.

## ConnectCore 9P 9215 Development Board





## RJ-45 pin allocation, X19

RJ-45 connector pins are allocated as shown:

Pin	Signal	802.3af End-Span (Mode A)	802.3af Mid-Span (Mode B)	Description
1	TXD+	Negative $V_{Port}$		Transmit data +
2	TXD-	Negative $V_{Port}$		Transmit data -
3	RXD+	Positive $V_{Port}$		Receive data +
4	EPWR+		Positive $V_{Port}$	Power from switch +
5	EPWR+		Positive $V_{Port}$	Power from switch +
6	RXD-	Positive $V_{Port}$		Receive data -
7	EPWR-		Negative $V_{Port}$	Power from switch -
8	EPWR-		Negative $V_{Port}$	Power from switch -

## LEDs

The RJ-45 connector has two LEDs located near the outer lower corners of the connector. These LEDs are not programmable.

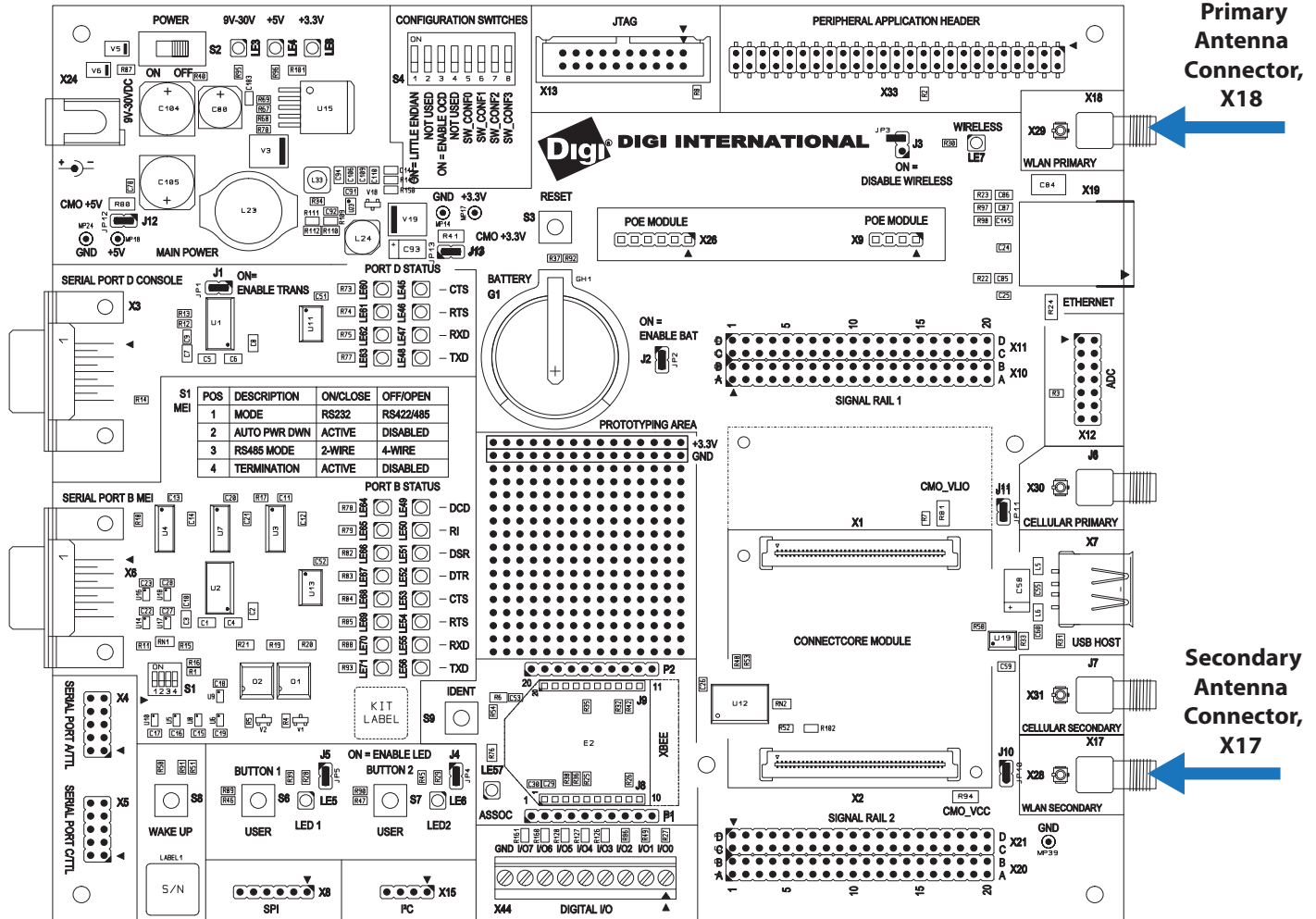
LED	Description
Yellow	Network activity (speed): Flashing when network traffic detected; Off when no network traffic detected.
Green	Network link: On indicates an active network link; Off indicates that no network link is present.



## WLAN Interface

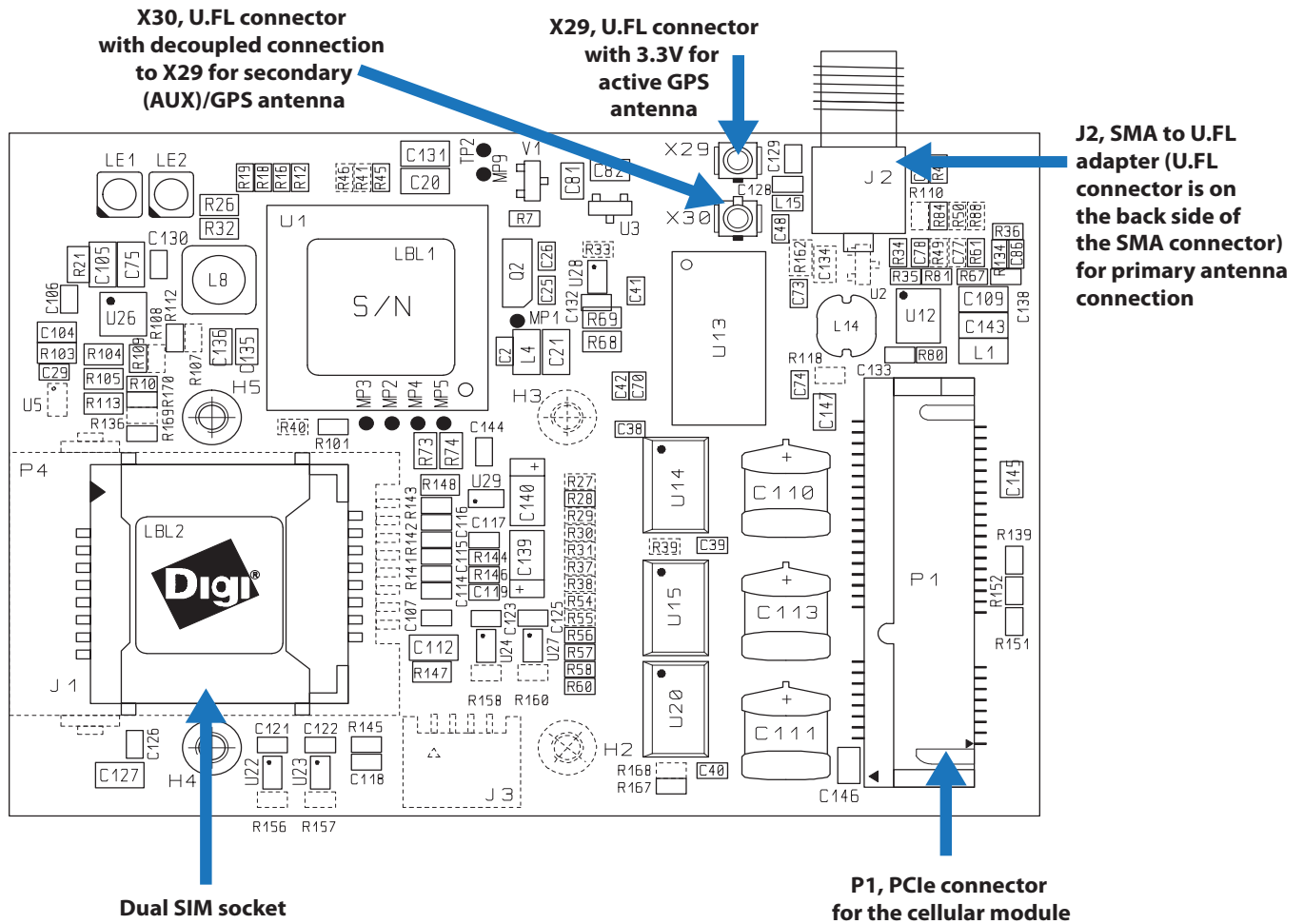
For the ConnectCore Wi-9P 9215, attach the antenna to the primary connector [X18] and the secondary connector [X17] on the Development Board (see the figure below for details).

ConnectCore 9P 9215 Development Board



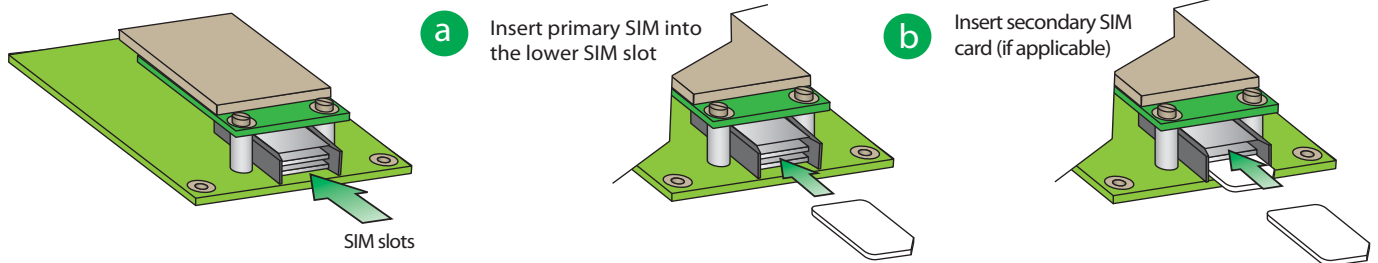


ConnectCore 3G 9P 9215 Module



**SIM Installation**

If you have not done so already, insert your SIM card(s) as shown (GSM/GPRS networks only):

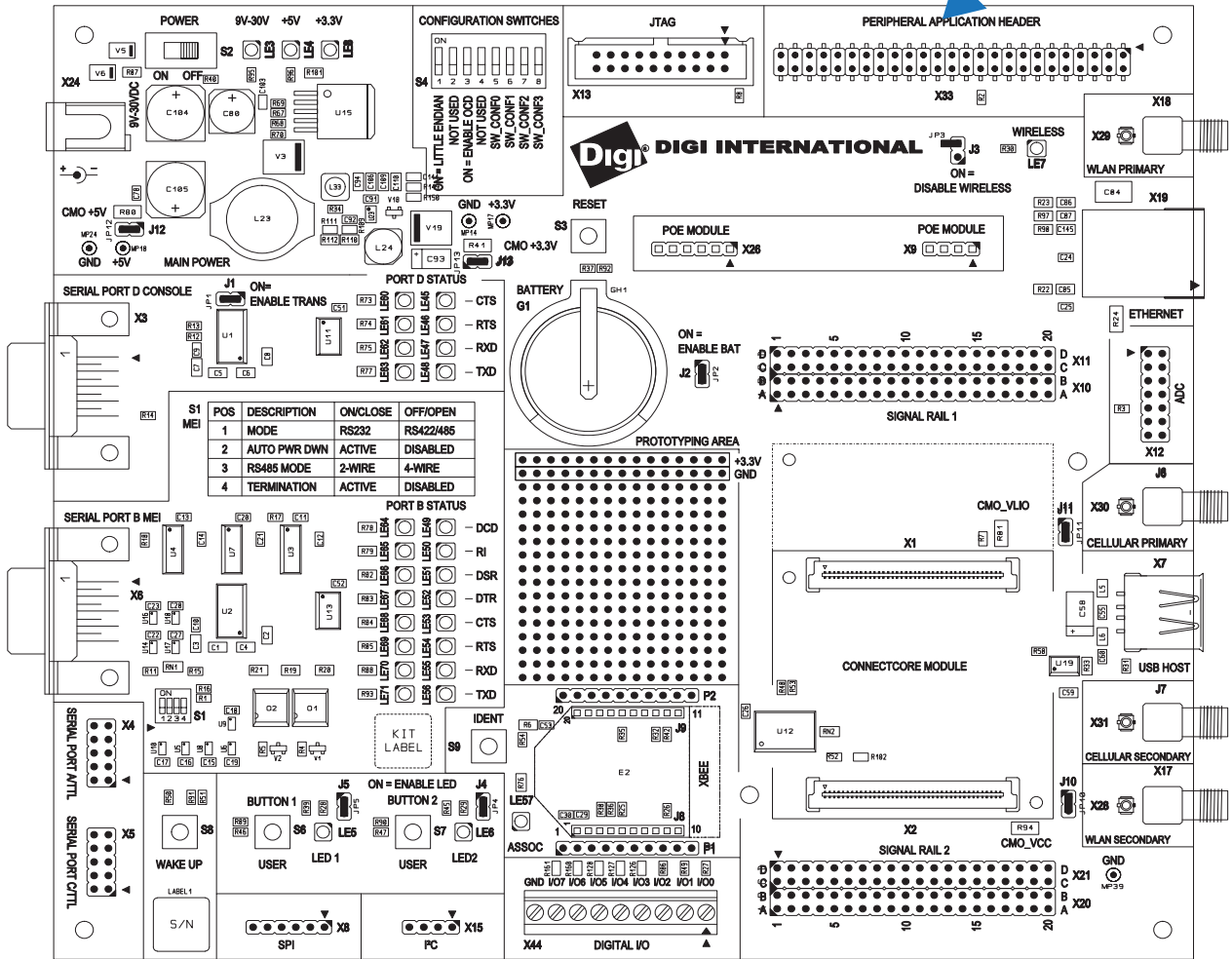


**Note:** The correct orientation for the SIMs is notched-side out, SIM cards are not included in your Digi JumpStart Kit®.

# Peripheral (Expansion) Headers

## ConnectCore 9P 9215 Development Board

Peripheral Application Header, X33



The Development Board provides one, 2x25-pin, 0.10" (2.54mm) pitch header for supporting application-specific daughter cards/expansion boards:

- X33, Peripheral application header:** Provides access to an 16-bit data bus, 10-bit address bus, and control signals (such as CE#, IRQ#, WE#), as well as I<sup>2</sup>C and power (+3.3V). Using these signals, you can connect Digi-specific extension modules or your own daughter card to the module's address/data bus.

## Peripheral application header, X33

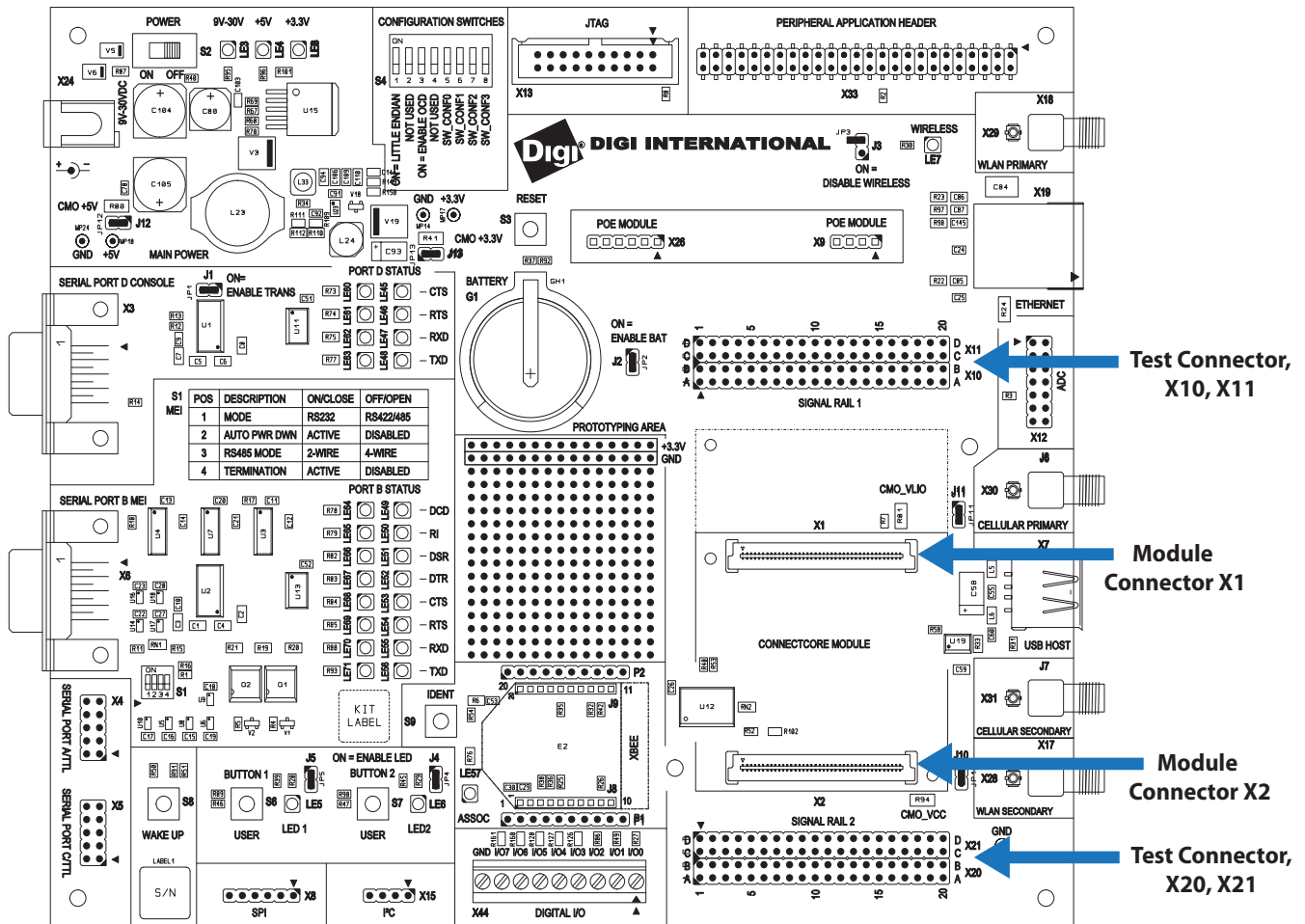
Peripheral application pins are allocated as shown:

Pin	Signal	Pin	Signal
1	GND	2	BDO
3	BD1	4	BD2
5	BD3	6	GND
7	BD4	8	BD5
9	BD6	10	BD7
11	GND	12	BD8
13	BD9	14	BD10
15	BD11	16	GND
17	BD12	18	BD13
19	BD14	20	BD15
21	GND	22	* 8-bit / 16-bit# GND selects 16-bit data bus
23	GND	24	+3.3V
25	+3.3V	26	BA0
27	BA1	28	BA2
29	BA3	30	GND
31	BA4	32	BA5
33	BA6	34	BA7
35	GND	36	BA8
37	BA9	38	GND
39	EXT_CS0#	40	I2C_SDA/GPIO103
41	EXT_WE#	42	EXT_OE#
43	I2C_SCL/GPIO102	44	EIRQ3/GPIO101
45	+3.3V	46	+3.3V
47	GPIO86	48	GPIO87
49	EXT_CLK	50	GND

# Module and Test Connectors

The ConnectCore 9P 9215 Family of modules plug into the module connectors X1 and X2 on the Development Board.

## ConnectCore 9P 9215 Development Board



### Module connectors

See "Module pinout" on page 41 for related information.

### Test connectors

The Development Board provides two 4x20 pin test connectors, labeled X10/X11 and X20/X21. These connectors are 1:1 copies of the module pins and are used for measurement or test purposes.

- X10 and X11 correspond to module connector X1.
- X20 and X21 correspond to module connector X2.

## X10 pinout

X10 pin	Signal	X10 pin	Signal
A1	GND	B1	GND
A2	RSTOUT#	B2	TCK
A3	TDO	B3	TRST#
A4	LITTLE#/BIG_ENDIAN	B4	WLAN_DISABLE#
A5	SW_CONF2	B5	SW_CONF3
A6	BD0	B6	BD1
A7	BD4	B7	BD5
A8	BD8	B8	BD9
A9	BD12	B9	BD13
A10	GND	B10	BA0
A11	BA3	B11	BA4
A12	BA7	B12	BA8
A13	BA11	B13	BA12
A14	BA15	B14	BA16
A15	EXT_WE#	B15	EXT_CS0#
A16	BE3#	B16	EXT_WAIT#
A17	NC	B17	NC
A18	NC	B18	NC
A19		B19	
A20		B20	VBAT

\*USB and Ethernet signals are not connected to this connector due to signal quality.

## X11 pinout

X11 pin	Signal	X11 pin	Signal
C1	RSTIN#	D1	SRESET#
C2	TMS	D2	TDI
C3	RTCK	D3	OCD_EN#
C4	SW_CONF0	D4	SW_CONF1
C5	WLAN_LED# (CC Wi-9P 9215)	D5	GND
C6	BD2	D6	BD3
C7	BD6	D7	BD7
C8	BD10	D8	BD11
C9	BD14	D9	BD15
C10	BA1	D10	BA2
C11	BA5	D11	BA6
C12	BA9	D12	BA10
C13	BA13	D13	BA14
C14	GND	D14	EXT_OE#
C15	EXT_CS2#	D15	BE2#
C16	EXT_CLK	D16	GND
C17	NC	D17	NC
C18	GND	D18	
C19		D19	
C20	3.3V	D20	GND

\*USB and Ethernet signals are not connected to this connector due to signal quality.



## X20 pinout

X20 pin	Signal	X20 pin	Signal
A1	GND	B1	GND
A2	DSRA#/GPIO2	B2	RXDA/SPI_RXD/GPIO3
A3	DTRA#/GPIO6	B3	TXDA/SPI_TXD/GPIO7
A4	DSRC#/GPIO10	B4	RXDC/GPIO11
A5	DTRC#/TXCLKC/GPIO14	B5	TXDC/GPIO15
A6	DSRB#/GPIO53	B6	RXDB/GPIO54
A7	DTRB#/GPIO57	B7	TXDB/GPIO58
A8	DSRD#/GPIO61	B8	RXDD/GPIO62
A9	DTRD#/GPIO65	B9	TXDD/GPIO66
A10	GPIO69	B10	GPIO70
A11	GPIO73	B11	GPIO74
A12	GPIO77	B12	GPIO78
A13	USER_BUTTON1#/GPIO81	B13	USER_LED1#/GPIO82
A14	USER_LED2#/GPIO85	B14	GPIO86
A15	GPIO94	B15	GPIO95
A16	CAN1_RXD/GPIO98	B16	CAN1_TXD/GPIO99
A17	I2C_SCL/GPIO102	B17	I2C_SDA/GPIO103
A18	ADC_IN2	B18	ADC_IN3
A19	ADC_IN6	B19	ADC_IN7
A20	+3.3V	B20	+3.3V

## X21 pinout

X21 pin	Signal	X21 pin	Signal
C1	DCDA#/SPI_EN/GPIO0	D1	CTSA#/GPIO1
C2	RIA#/EIRO2/GPIO4	D2	RTSA#/SPI_CLK/GPIO5
C3	DCDC#/TXCLKC/GPIO8	D3	CTSC#/GPIO9
C4	RIC#/RXCLKC/GPIO12	D4	RTSC#/RCLKC/GPIO13
C5	DCDB#/GPIO51	D5	CTSB#/GPIO52
C6	RIB#/GPIO55	D6	RTSB#/GPIO56
C7	DCDD#/GPIO59	D7	CTSD#/GPIO60
C8	RID#/GPIO63	D8	RTSD#/GPIO64
C9	GPIO67	D9	GPIO68
C10	GPIO71	D10	GPIO72
C11	GPIO75	D11	GPIO76
C12	GPIO79	D12	GPIO80
C13	GPIO83	D13	USER_BUTTON2#/GPIO84
C14	GPIO87	D14	GPIO93
C15	CAN0_RXD/GPIO96	D15	CAN0_TXD/GPIO97
C16	GPIO100	D16	EIR03#/GPIO101
C17	ADC_IN0	D17	ADC_IN1
C18	ADC_IN4	D18	ADC_IN5
C19	AGND_ADC	D19	VREF_ADC
C20	GND	D20	GND



# Appendix A: Specifications

This appendix provides environmental, mechanical, safety and power information for the ConnectCore 9P 9215 Family of modules.

## Mechanical Information

---

### ConnectCore 9P 9215

The module size is 50 x 50mm.

Two board-to-board connectors are used on the module. The distance between the module and the Development Board depends on the counterpart on the Development Board; the minimum distance is 5mm.

The height of the parts mounted on the bottom side of the module does not exceed 2.5mm. The height of the parts mounted on the top side of the module does not exceed 2.5mm if X3 is not populated, or 14 mm if X3 is populated.

### ConnectCore Wi-9P 9215

The module size is 50 x 70mm.

Two board-to-board connectors are used on the module. The distance between the module and the Development Board depends on the counterpart on the Development Board; the minimum distance is 5mm.

The height of the parts mounted on the bottom side of the module does not exceed 2.5mm. The height of the parts mounted on the top side of the modules does not exceed 5mm if X3 is not populated, or 14 mm if X3 is populated.

## ConnectCore 3G 9P 9215

The module size is 50 x 70mm.

Two board-to-board connectors are used on the module. The distance between the module and the Development Board depends on the counterpart on the Development Board; the minimum distance is 5mm.

The height of the parts mounted on the bottom side of the module does not exceed 2.5mm. The height of the parts mounted on the top side of the modules does not exceed 10mm including the cellular module.

## Network Interface

### Ethernet

- Standard: IEEE 802.3
- Physical layer: 10/100Base-T
- Data rate: 10/100 Mbps
- Mode: Full or half duplex

### WLAN Interface

**Note:** This WLAN Interface information applies to the ConnectCore Wi-9P 9215 module only.

- Standard: IEEE802.11a/b/g
- Frequency: 2.412GHz - 5.875GHz
- Data Rates Supported
  - 1, 2, 5.5, 6, 9, 11, 12, 18, 24, 36, 48, 54 Mbps
- Media Access Protocol
  - Carrier-Sense Multiple Access with Collision Avoidance (CSMA/CA)
- Wireless Medium
  - 802.11b/g: Direct Sequence-Spread Spectrum (DSSS) and Orthogonal Frequency Divisional Multiplexing (OFDM)
  - 802.11a: OFDM
- DFS Client
  - This module supports the DFS Client only between the 5.25 and 5.35GHz bands. It does not support being a DFS Master, nor can it be connected to an ad hoc network in these bands.
- Modulation DSSS
  - Differential Binary Phase Shift Keying (DBPSK) @ 1 Mbps
  - Differential Quadrature Phase Shift Keying (DQPSK) @ 2 Mbps



- Complementary Code Keying (CCK) @ 5.5 and 11 Mbps OFDM
- BPSK @ 6 and 9 Mbps
- QPSK @ 12 and 18 Mbps
- 16-Quadrature Amplitude Modulation (QAM) @ 24 and 36 Mbps
- 64-QAM @ 48 and 54 Mbps
- Frequency Bands
  - 2.412 to 2.472 GHz (ETSI)
  - 2.412 to 2.462 GHz (FCC)
  - 5.150 to 5.250 GHz (ETSI)
  - 5.250 to 5.350 GHz (ETSI) excluding TPC and DFS Client
  - 5.470 to 5.725 GHz (ETSI) excluding TPC and DFS Client
  - 5.725 to 5.875 GHz (ETSI) excluding TPC and DFS Client
  - 5.15 to 5.350 GHz (FCC UNII1 and UNII2)
  - 5.470 to 5.725 GHz
  - 5.725 to 5.850 GHz (FCC)
- Receive Sensitivity 802.11a (typical @ 25°C)

CH	5200	5500	5785
<b>6 Mbps</b>	-85	-85	-85
<b>54 Mbps</b>	-65	-65	-65

- Receive Sensitivity 802.11g (typical 25°C)
  - -84 dBm @ 6 Mbps
  - -81 dBm @ 9 Mbps
  - -80 dBm @ 12 Mbps
  - -80 dBm @ 18 Mbps
  - -78 dBm @ 24 Mbps
  - -76 dBm @ 36 Mbps
  - -70 dBm @ 48 Mbps
  - -68 dBm @ 54 Mbps
- Receive Sensitivity 802.11b (typical 25°C)
  - -86 dBm @ 1 Mbps
  - -86 dBm @ 2 Mbps
  - -84 dBm @ 5.5 Mbps
  - -80 dBm @ 11 Mbps

- Available Transmit Power Settings  
(Maximum power setting will vary according to individual country regulations).  
Typical ( $\pm 2$  dBm) 25°C  
802.11b/g:
    - 14 dBm (~25 mW) @ 1, 2, 5.5, and 11 Mbps
    - 12 dBm (~16 mW) @ 6, 12, 18, 24, 36, 48, and 54 Mbps
    - 6 dBm (~4 mW) @ 6, 12, 18, 24, 36, 48, and 54 Mbps
 802.11a:
    - 6 dBm for all channels
- Note:** During manufacturing, EVM values are verified up to -23 dBm rms for band A.
- Available Transmit Power Settings (Typical ( $\pm 2$  dBm) @ 25°C)
- Note:** Maximum power setting will vary according to individual country regulations.
- Connector: 2 x U.FL
- Note:** Please use the HIROSE U.FL-LP-N-2 extraction tool for removing a U.FL cable from the ConnectCore Wi-9P 9215 or ConnectCore 3G 9P 9215 modules.

## WWAN Interface

**Note:** This WWAN Interface information applies to the ConnectCore 3G 9P 9215 module only.

2G/3G cellular connectivity based on Qualcomm Gobi 3000:

Technology	Bands
1xEV-DO Rev A 1xRTT Rev 0	BC0 - 800 MHz - US cell
	BC1 - 1900MHz - US PCS
	BC4 - 1800 MHz - KPCS
	BC6 - 2100 MHz - IMT
UMTS/HSDPA/HSUPA	B9 - 1700 MHz - Japan 1700 MHz
	B8 - 900 MHz
	B6 - 900 MHz - Japan 800 MHz
	B4 - 1700/2100 - AWS
	B5 - 850 MHz - US Cell
	B3 - 1800 MHz - KPCS
	B2 - 1900 MHz - US PCS



Technology	Bands
GSM/GPRS/EDGE	850 MHz
	900 MHz
	1800 MHz
	1900 MHz
Simultaneous GPS	

**Note:** D = Rx diversity supported  
X = band class supported without Rx diversity  
blank = band class not supported

Supported Data Rates:

Gobi Operating Mode	Peak FL Data Rate	Peak RL Data Rate
CDMA 1xRTT	153 kbps	153 kbps
CDMA 1xEV-DO	3.1 Mbps	1.8 Mbps
WCDMA	384 kbps	384 kbps
HSDPA/HSUPA	7.2 Mbps	2.0 Mbps
GSM	14.1 kbps	14.1 kbps
GPRS	115 kbps	115 kbps
EDGE	384 kbps	384 kbps



## Environmental Information

---

The module board assemblies meet all functional requirements when operating in the environments provided below.

**Note:** Please refer to the thermal specifications in this manual for additional information about operating temperature conditions

### ConnectCore 9P 9215

- Operating temperature: -40°C to +85°C max
- Storage temperature: -40°C to +125°C
- Relative humidity: 5% to 95%, non-condensing
- Altitude: 0 to 12,000 feet

### ConnectCore Wi-9P 9215 & ConnectCore 3G 9P 9215

- Operating temperature: -40°C to +85°C max
- Storage temperature: -40°C to +125°C
- Relative humidity: 5% to 95%, non-condensing
- Altitude: 0 to 12,000 feet
- Qualcomm Gobi3000 operating temperature: -30°C to +70°C
- Qualcomm Gobi3000 storage temperature: -55°C to +100°C
- Qualcomm Gobi3000 relative humidity: 10% to 90%, non-condensing



## Thermal Specifications

The table below shows the specific standard operating temperature ranges for the entire ConnectCore 9P 9215 Family of embedded core modules.

Standard Operating Temperature Ranges	
Product	Operating Temperature Range
ConnectCore 9P 9215	-40 to +85°C
ConnectCore Wi-9P 9215	-40 to +65°C @ 100% Duty Cycle (WLAN) -40 to +85°C @ 33% Duty Cycle (WLAN)
ConnectCore 3G 9P 9215	-30 to +70°C

The lower standard operating temperature range is specified without restrictions, except condensation must not occur.

The upper operating temperature limit depends on the host PCB layout and surrounding environmental conditions. To simplify the customer's design process, a maximum component case temperature has been specified.

Maximum Component Case Temperature		
Product	Component	Maximum Case Temperature
ConnectCore 9P 9215	U1	120°C
ConnectCore Wi-9P 9215	U16	95°C
ConnectCore 3G 9P 9215	U1	120°C



When attaching thermocouples, please abide by the following guidelines:

- Carefully remove any labels or other foreign material from the component.
- Ensure an adhesive with high thermal conductivity is used. Use as little adhesive as possible.
- Make sure the thermocouple is touching the case of the component and not "floating" in the adhesive.
- The use of precision, fine-wire K-type thermocouples is strongly recommended
  - Omega Engineering P/N 5TC-TT-K-36-72, or similar

### **Additional design suggestions**

The following list provides additional design guidance with respect to thermal management in applications with operating temperatures at the high end or beyond the specified standard ambient temperature range.

- Providing air movement will improve heat dissipation.
- The host PCB plays a large part in dissipating the heat generated by the module. A large copper plane located will improve the heat dissipation capabilities of the PCB.
- If the design allows, added buried PCB planes will also improve heat dissipation. The copper planes create a larger surface to spread the heat into the surrounding environment.

## Safety Statements

---

### To avoid contact with electrical current:

- Never install electrical wiring during an electrical storm.
- Use a screwdriver and other tools with insulated handles.
- Wear safety glasses or goggles.
- Installation of inside wiring may bring you close to electrical wire, conduit, terminals, and other electrical facilities. Extreme caution must be used to avoid electrical shock from such facilities. Avoid contact with all such facilities.
- Protectors and grounding wire placed by the service provider must not be connected to, removed, or modified by the customer.
- Do not touch or move the antenna(s) while the unit is transmitting or receiving.
- Do not hold any component containing a radio such that the antenna is very close to or touching any exposed parts of the body, especially the face or eyes, while transmitting.
- Do not operate a portable transmitter near unshielded blasting caps or in an explosive environment unless it is a type especially qualified for such use.
- Any external communications wiring you may install needs to be constructed to all relevant electrical codes. In the United States, this is the National Electrical Code Article 800. Contact a licensed electrician for details.



## Power Requirements

### ConnectCore 9P 9215

Parameter	Limits		
Input voltage (Vcc)	3.3V±10% (3.00V to 3.60V)		
Input current	660mA max		
Input low voltage	0.0V	<V <sub>IL</sub>	<0.3*Vcc
Input high voltage	0.7*Vcc	<V <sub>IH</sub>	<Vcc
Output low voltage (@I <sub>ol</sub> =100uA)	0.0V	<V <sub>OL</sub>	<0.2V
Output high voltage (@I <sub>oh</sub> =100uA)	Vcc-0.2V	<V <sub>OH</sub>	<Vcc

### ConnectCore Wi-9P 9215

Parameter	Limits		
Input voltage (Vcc)	3.3V±10% (3.00V to 3.60V)		
Input current	1A max		
Input low voltage	0.0V	<V <sub>IL</sub>	<0.3*Vcc
Input high voltage	0.7*Vcc	<V <sub>IH</sub>	<Vcc
Output low voltage	0.0V	<V <sub>OL</sub>	<0.4V
Output high voltage	Vcc-0.4V	<V <sub>OH</sub>	<Vcc

### ConnectCore 3G 9P 9215

Parameter	Limits		
Input voltage (Vcc)	3.3V±10% (3.00V to 3.60V)		
Input current	1.9A max		
Input low voltage	0.0V	<V <sub>IL</sub>	<0.3*Vcc
Input high voltage	0.7*Vcc	<V <sub>IH</sub>	<Vcc
Output low voltage	0.0V	<V <sub>OL</sub>	<0.4V
Output high voltage	Vcc-0.4V	<V <sub>OH</sub>	<Vcc

## IEEE802.11 a/b/g WLAN

The ConnectCore Wi-9P 9215 provides access to an IEEE802.11a/b/g WLAN interface. The whole circuitry is located on the module. The user can track WLAN activity through the WLAN-LED# signal. The user can also disable the RF power amplifier by activating the WLAN-DISABLE# signal.

Two U.FL connectors are available for dual-diversity.

The WLAN baseband controller can be reset through GPIO92. When this signal is low, the baseband controller is in reset mode. When high, the controller is active.

The interrupt signal connected to the baseband controller is GPIO\_A0.

## WWAN Activity

The ConnectCore3G 9P 9215 provides access to a PCIe 3G module. The entire 3G circuitry is located on the module. The user can track WWAN activity through the LED\_WWAN# signal. The user can also disable the 3G module by activating the CELL\_DISABLE\_N signal.

Not including the Gobi modem there are three U.FL connectors for a WWAN antenna and a GPS antenna available on the ConnectCore 3G 9P 9215 module. Including the Gobi modem there are five U.FL connectors available.



## ConnectCore 9P 9215 and ConnectCore Wi-9P 9215 Typical Power Save Current/Power Measurements

The following information illustrates typical power consumption for the ConnectCore 9P 9215 and ConnectCore Wi-9P 9215 modules. These measurements were made using the NET+OS napsave sample application in function `applicationStart()`, with the module's Ethernet connected to a 100Mb network. For the ConnectCore Wi-9P 9215 module, WiFi is enabled and associated.

### ConnectCore 9P 9215

	Module and Dev Board <sup>1</sup>	Module only <sup>2</sup>
Normal operational mode <sup>3</sup>	1.63W (496mA)	1.45W (443mA)
Sleep mode <sup>4</sup>	.346W (105mA)	.151W (46mA)

### ConnectCore Wi-9P 9215

	Module and Dev Board <sup>1</sup>	Module only <sup>2</sup>
Normal operational mode <sup>3</sup>	2.69W (816mA)	2.36W (716mA)
Sleep mode <sup>4</sup>	0.73W (220mA)	0.46W (138mA)

<sup>1</sup> This measurement was taken from the R80 current sense resistor (0.025 ohm) on the JumpStart Kit Development Board.

<sup>2</sup> This measurement represents only the current of the VLIO and +3.3V inputs to the module, measured from the two current sense resistors R81 and R94 (0.025 ohm) located on the JumpStart Kit Development Board.

<sup>3</sup> This is the default power consumption mode when entering application `Start()`, as measured with the napsave sample application. The value of the NS9215 Clock Configuration register (A090017C) is 02012015 hexadecimal. (Note 02012015 enables USART B, UART D, the Ethernet MAC, the I/O Hub, and Memory Clock 0).

<sup>4</sup> This measurement was produced by selecting the “Deep Sleep/Wakeup with an External IRQ” menu option in the napsave sample application.



## ConnectCore 3G 9P 9215 Typical Power Save Current /Power Measurements

The following information illustrates typical power consumption for the ConnectCore 3G 9P 9215 module. These measurements were made using a Python application, which made a call into `digipowercontrol.system_power_set(0)`, which placed the module into a deep sleep mode.

### ConnectCore 3G 9P 9215

	Module and Dev Board <sup>1</sup>	Module only <sup>2</sup>
Normal operational mode <sup>4</sup>	2.60W (800mA)	2.30W (708mA)
Sleep mode <sup>3,4</sup>	0.61W (184mA)	0.463W (140mA)

<sup>1</sup> This measurement was taken from the R80 current sense resistor (0.025 ohm) on the JumpStart Kit Development Board.

<sup>2</sup> This measurement represents only the current of the VLIO and +3.3V inputs to the module, measured from the two current sense resistors R81 and R94 (0.025 ohm) located on the JumpStart Kit Development Board.

<sup>3</sup> This measurement was made using the Python `digipowercontrol.system_power_set(0)` API, which places the module into a deep sleep mode.

<sup>4</sup> These measurements were made with an ethernet cable plugged in and no external USB devices connected.

## Typical Module Current/Power Measurements

The following information illustrates typical power consumption using various NS9215 power management mechanisms. These measurements were taken with all NS9215 I/O clocks disabled except UART B, UART D, Ethernet MAC, I/O Hub, and the Memory Clock; the Ethernet connected to a 100Mb network and the WLAN interface associated with an access point, using a standard module plugged into a JumpStart Kit Development Board, with nominal voltage applied.

### ConnectCore 9P 9215

	VLIO <sup>1</sup>	+3.3V <sup>1</sup>	Total Power
With FIMs (DRPIC) enabled <sup>4</sup>	1.27W (384mA @ 3.3V)	.561W (170mA @ 3.3V)	1.83W
Full clock scaling mode <sup>4</sup>	.904W (274mA @ 3.3V)	.561W (170mA @ 3.3V)	1.47W

### ConnectCore Wi-9P 9215

	VLIO <sup>1</sup>	+3.3V <sup>1</sup>	Total Power
With all clocks enabled <sup>2,4</sup>	1.43W (432mA @ 3.3V)	1.17W (354mA @ 3.3V)	2.6W
Default configuration <sup>3,4</sup>	1.13W (343mA @ 3.3V)	1.17W (354mA @ 3.3V)	2.30W

<sup>1</sup> VLIO is supplying the core voltage regulator. This typical measurement was made with VLIO and +3.3V set to 3.3V. VLIO can vary between 2.5V to 5.0V. +3.3V can vary between 3.1V to 3.6V.

<sup>2</sup> This is power consumption with all clocks on, NS9215 Clock Configuration register (A090017C) set to 02013BFF hexadecimal.

<sup>3</sup> This is the default power consumption. Note the default value of the NS9215 Clock Configuration register (A090017C) is 02012015 hexadecimal.

<sup>4</sup> FIM is the Flexible Interface Module. DRPIC is a high performance 8-bit RISC Microcontroller.

## Layout Recommendation

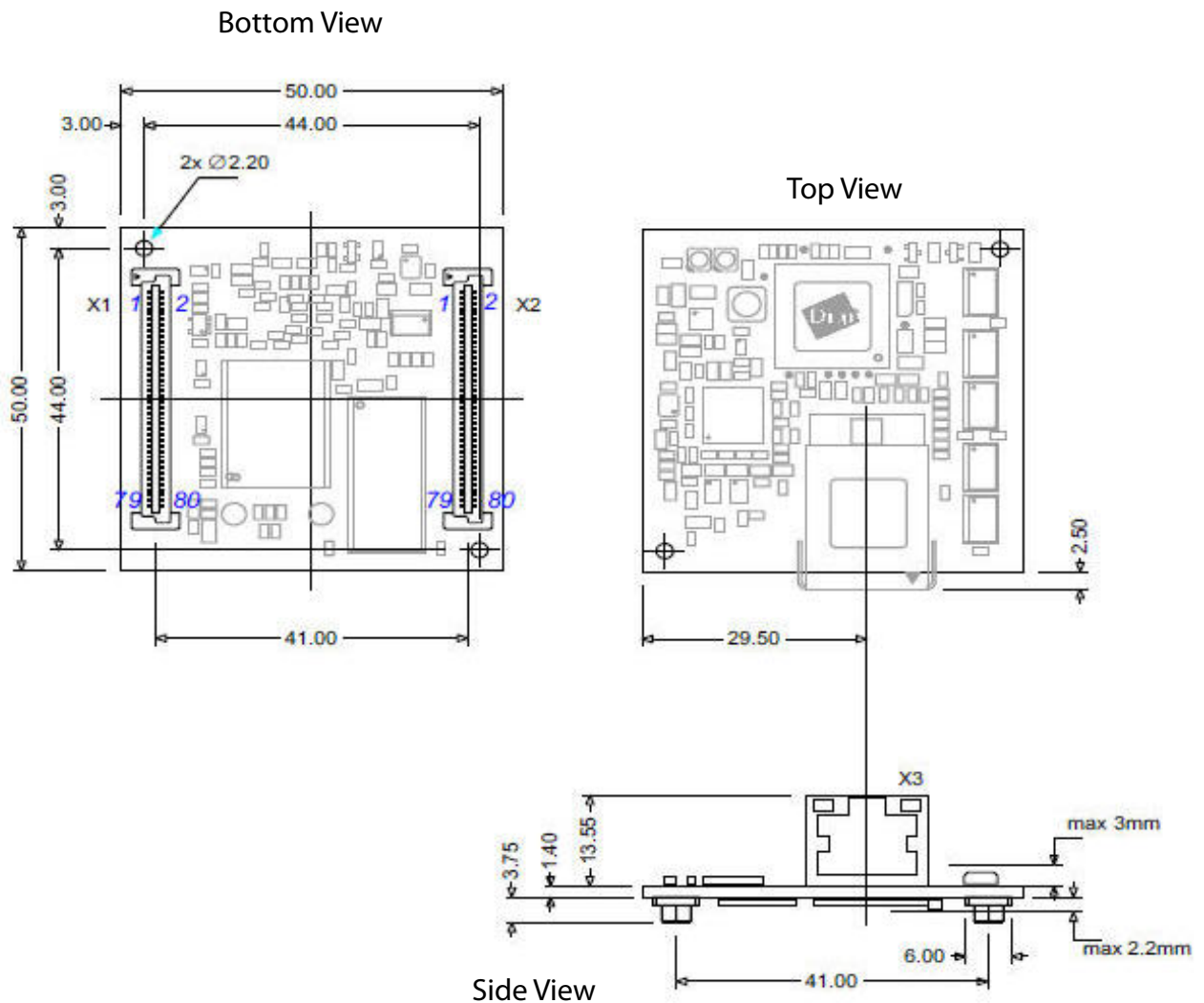
Below are the mechanical dimensions of the ConnectCore 9P 9215 Family of modules.

The layout of the JumpStart board is consistent with the recommendations from Berg/FCI for the mating connector (Berg/FCI 61083-084409LF). There is a 41mm separation between the two module connectors. Drawing number 61083 on the FCI web page: [www.fciconnect.com](http://www.fciconnect.com) shows the manufacturer recommended layout.

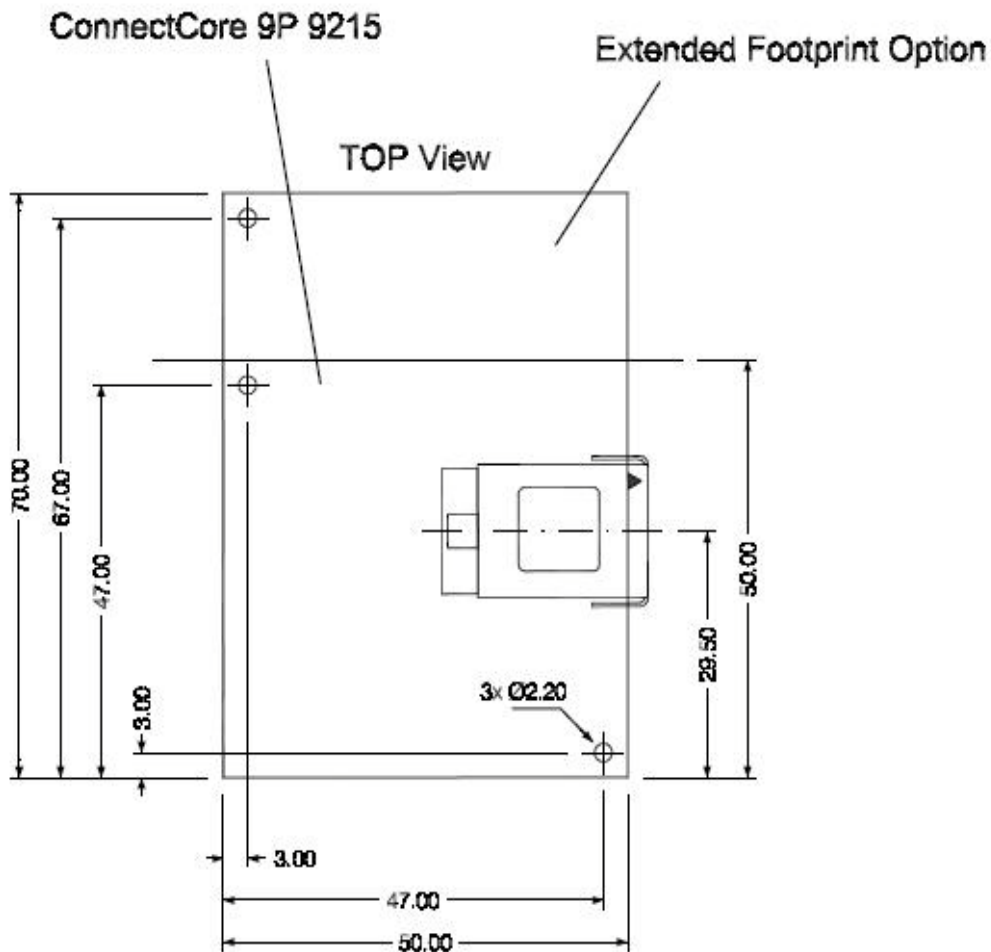
**Note:** Measurements are in millimeters.

### ConnectCore 9P 9215

#### Top, bottom and side views



## Extended Footprint Option

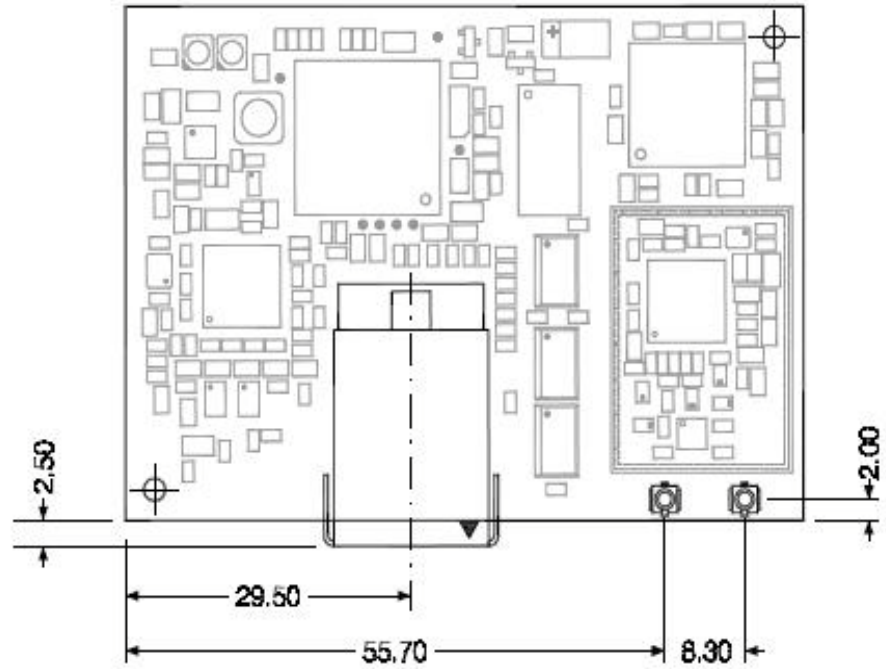


Device	Berg/FCI connector
ConnectCore 9P 9215 module	61082-081409LF
ConnectCore 9P 9215 JumpStart board (mating connector on the Development Board)	61083-084409LF
Device	Berg/FCI connector
ConnectCore 9P 9215 - Wi-9P 9215 module	61082-081409LF
ConnectCore Wi-9P 9215 JumpStart board (mating ConnectCore 9P 9215 - Wi-9P 9215 JumpStart board)	61083-084409LF

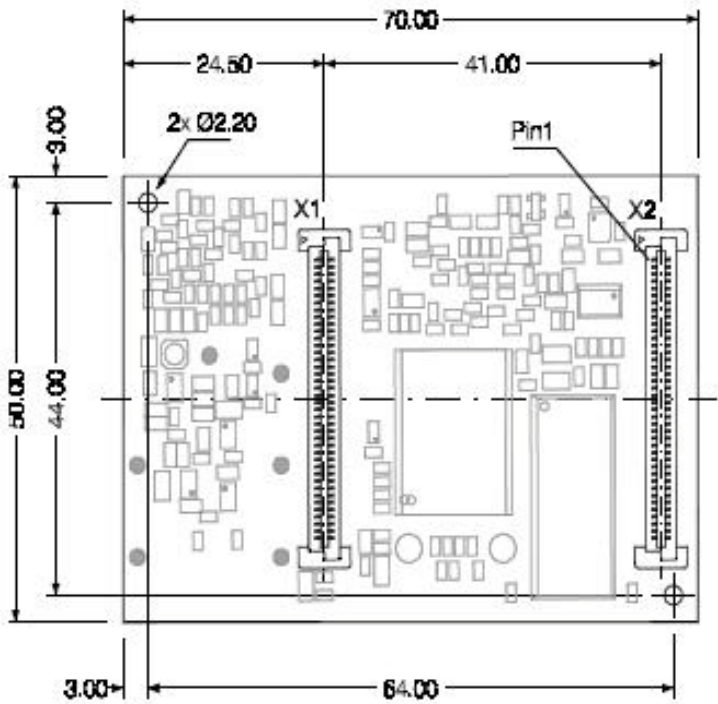
## ConnectCore Wi-9P 9215

Below are the mechanical dimensions of the ConnectCore Wi-9P 9215 module.

### Top view

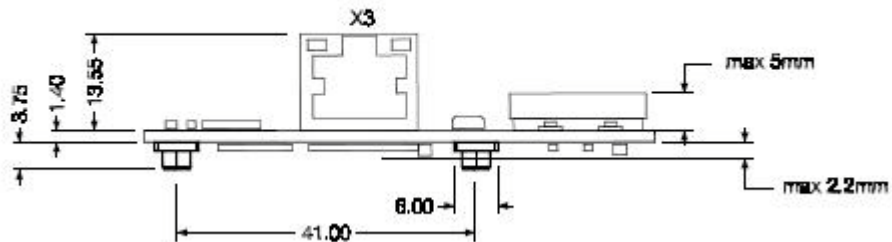


**Bottom view**



**Side view**

SIDE view

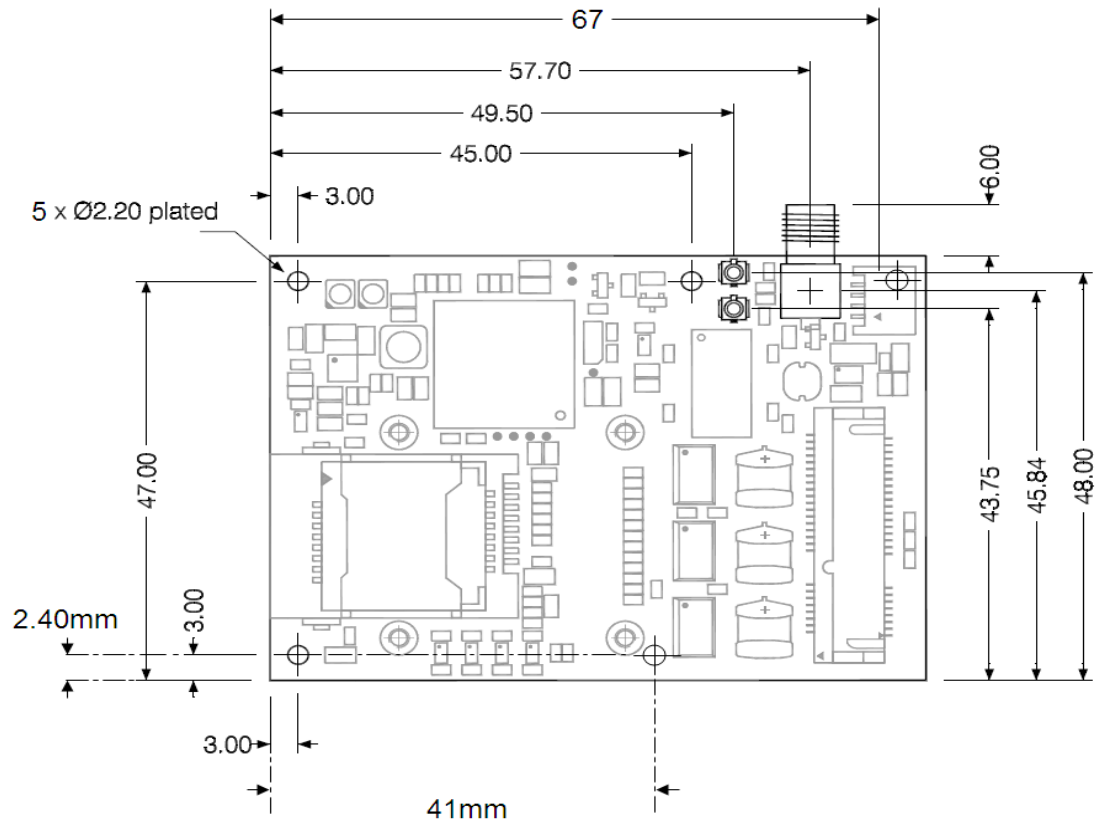


Device	Berg/FCI connector
ConnectCore Wi-9P 9215	61082-081409LF
ConnectCore Wi-9P 9215 Development Board (mating ConnectCore 9P 9215 - Wi-9P 9215 JumpStart board)	61083-084409LF

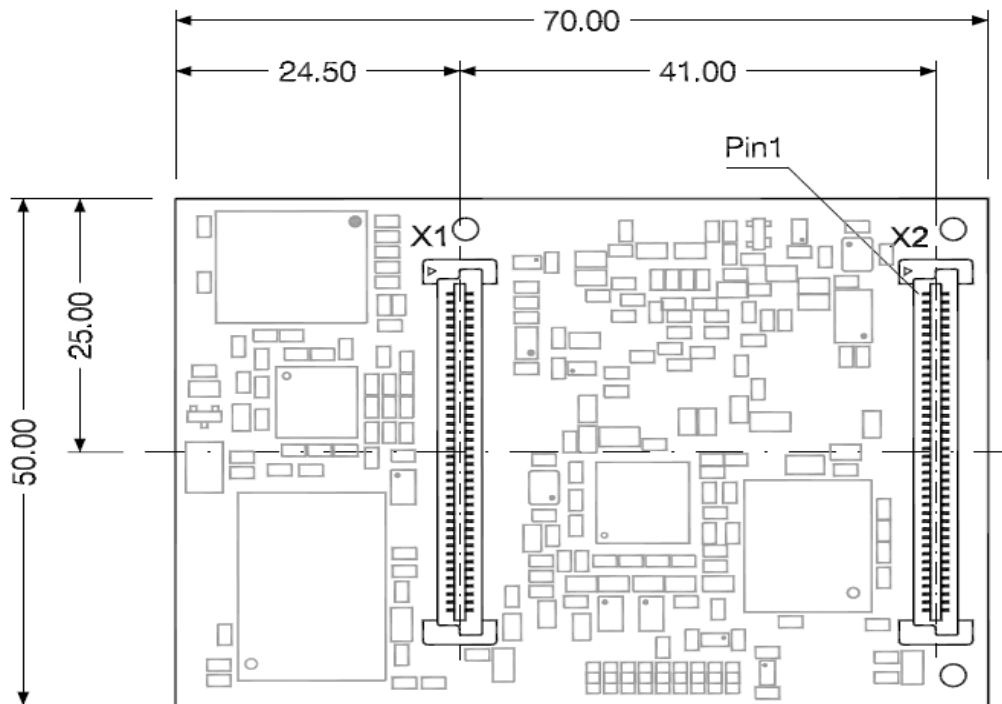
## ConnectCore 3G 9P 9215

Below are the mechanical dimensions of the ConnectCore 3G 9P 9215 module.

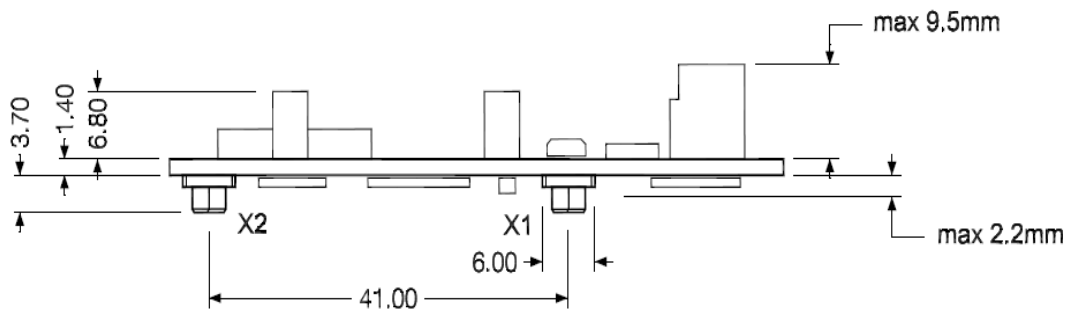
### Topview



### Bottom view



### Side view



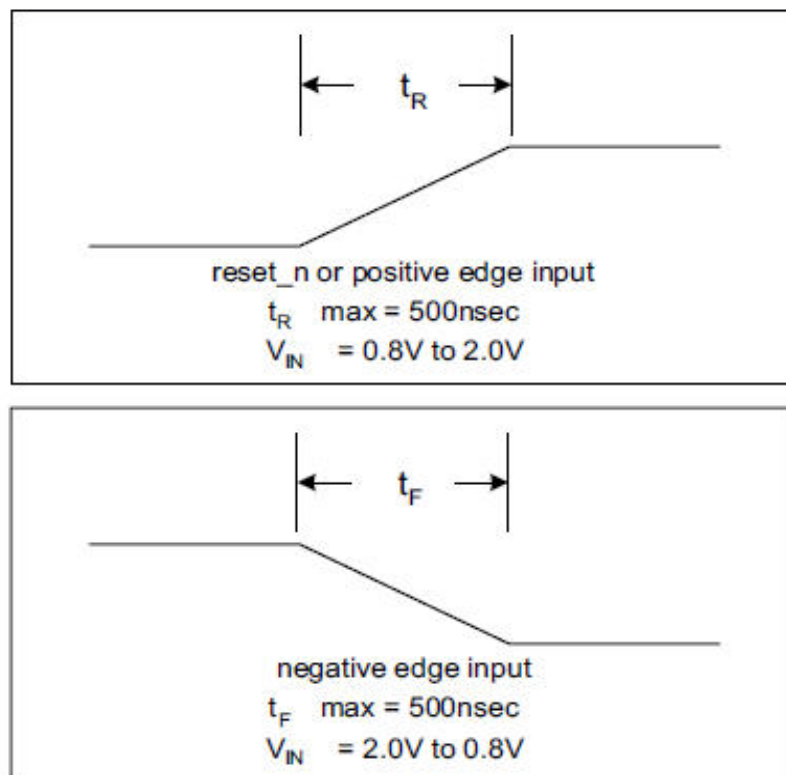
Device	Berg/FCI connector
ConnectCore 3G 9P 9215	61082-081409LF
ConnectCore 3G 9P 9215 Development Board (mating ConnectCore 9P 9215 - Wi-9P 9215 JumpStart board)	61083-084409LF



## Reset and Edge Sensitive Input Timing Requirements

The ConnectCore 9P 9215 Family of modules' critical timing requirement is the rise and fall time of the input. If the rise time is too slow for the reset input, the hardware strapping options may be registered incorrectly. If the rise time of a positive-edge-triggered external interrupt is too slow, then an interrupt may be detected on both the rising and falling edge of the input signal.

A maximum rise and fall time must be met to ensure that reset and edge sensitive inputs are handled correctly. With Digi processors, the maximum is 500 nanoseconds as shown:



On the ConnectCore 9P 9215 Development Board there was a measurement of 220ns rise time and 10ns fall time.

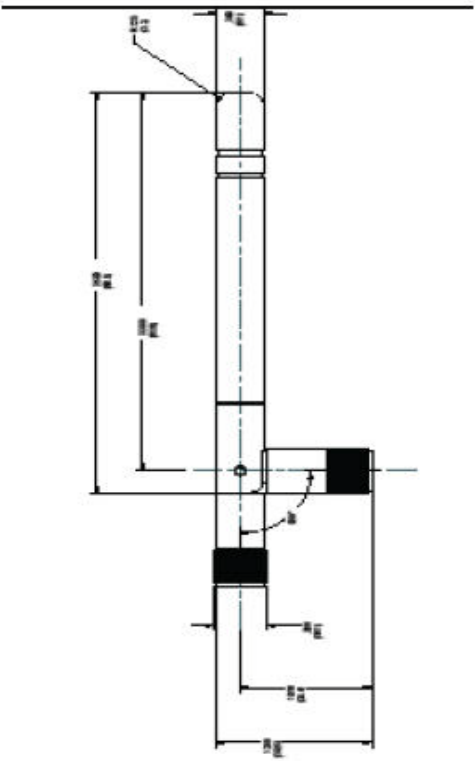
# ConnectCore Wi-9P 9215 Antenna Specifications: 2 dBi Dipole

## Attributes

Attribute	Property
Frequency	2.4~2.5 GHz
Power output	2W
DB gain	2 dBi
VSWR	< or = 2.0
Dimension	108.5 mm x 10.0 mm
Weight	10.5g
Temperature rating	-40°~+80° C
Part number	DG-ANT-20DP-BG

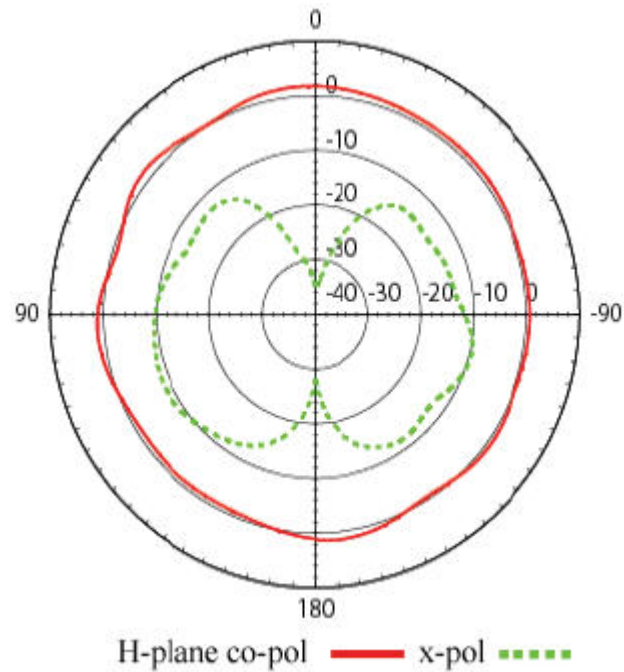
## Dimensions

**Note:** Dimensions are provided for reference purposes only. The actual antenna may vary.



### Antenna strength (radiation pattern) diagram

This diagram below shows the strength of the signal received by the whip antenna on both a horizontal and vertical plane. The diagram shows the magnetic field when the antenna is in a vertical position. The red solid line represents the horizontal plane and the green dotted line represents the vertical plane. You can see in the illustration that at 90 degrees, the signal strength is 0 (as expected).



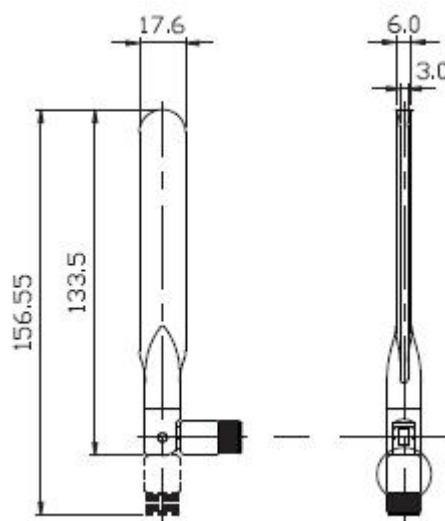
## ConnectCore Wi-9P 9215 Antenna Specifications: 5.5 dBi Dipoles

### Attributes

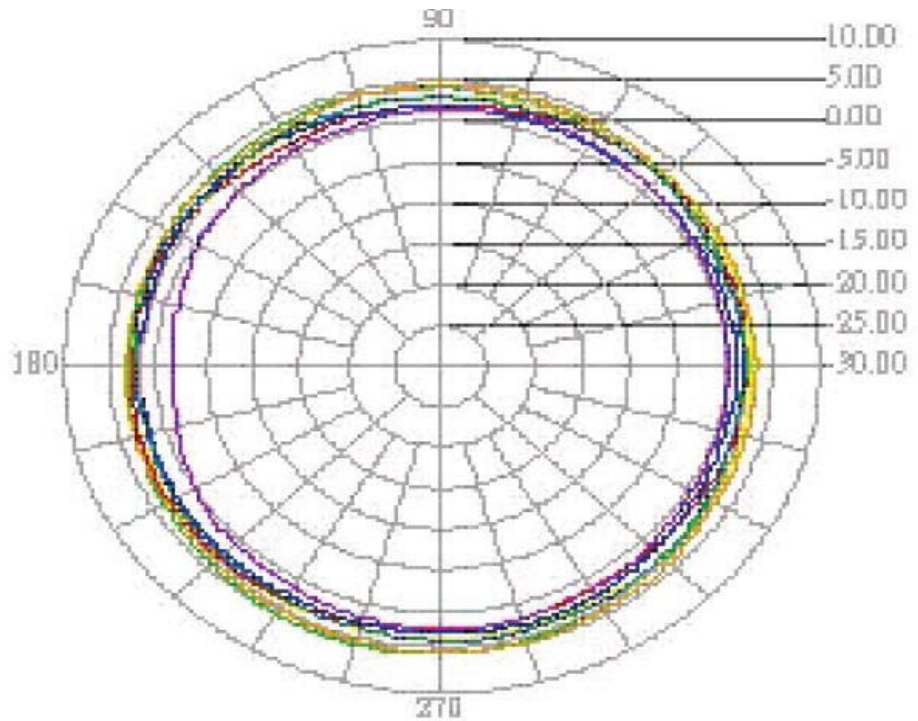
Attributes	Band 1	Band 2
Frequency	2.4~2.5 GHz	5.15~5.35 GHz 5.725~5.85 GHz
VSWR	2.0 max	
Return loss	-10 dB max	
DB gain	5 dBi (Typ)	
Polarization	Linear	
Power output	1W	
Dimension	See measurements in the drawing after the table	
Operating temperature	-20°~+65°C	
Storage temperature	-20°~+65°C	
Part number	DG-ANT-50DP-AG	

### Dimensions

**Note:** Dimensions are provided for reference purposes only. The actual antenna may vary.

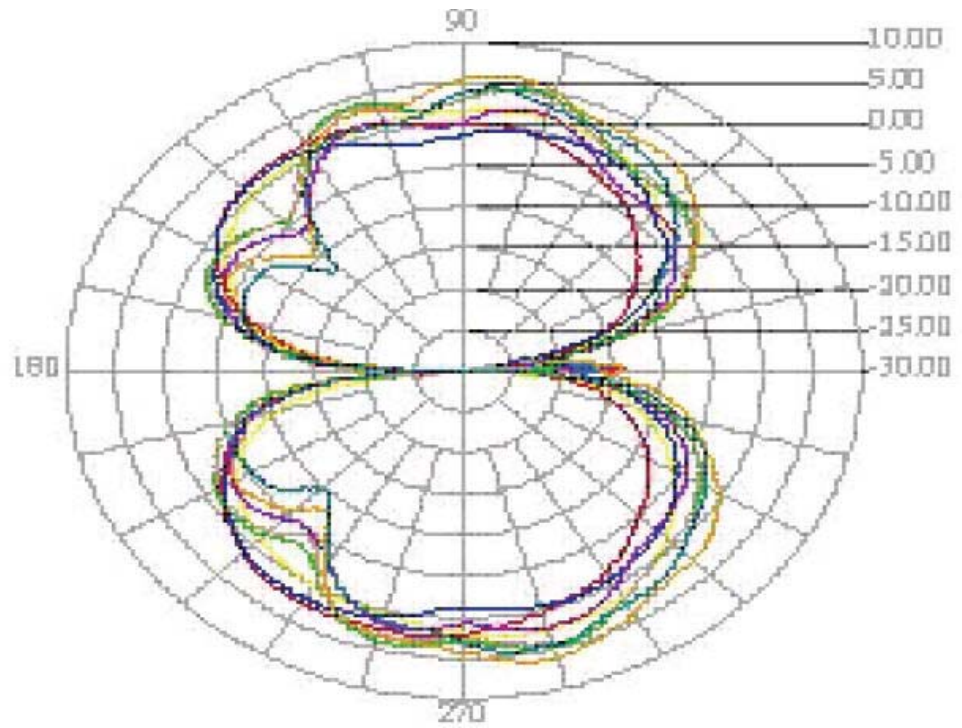


**Radiation  
pattern: H-  
Plane (2.0 and  
5.0 GHz)**



Color	Freq (MHz)	Peak (dBi)	Angle (o)	Avg (dBi)
Yellow	2400.0	3.39	257.68	2.98
Red	2450.00	3.17	214.74	2.37
Blue	2500.00	2.79	288.0	1.96
Purple	5150.00	2.25	280.42	0.82
Green	5200.00	5.23	252.63	2.71
Light brown	5250.00	4.51	272.84	3.16
Orange	5750.00	5.03	267.79	3.88
Aqua	5850.00	3.83	276.63	2.74

**Radiation pattern: E-plane (2.0 and 5.0 GHz)**



Color	Freq (MHz)	Peak (dBi)	Angle (o)	Avg (dBi)
Yellow	2400.0	2.60	283.22	-1.10
Red	2450.00	2.57	240.42	-1.36
Blue	2500.00	1.92	237.27	-1.78
Purple	5150.00	2.37	78.67	-1.91
Green	5200.00	4.80	79.30	0.32
Light brown	5250.00	4.49	79.93	-0.01
Orange	5750.00	6.34	283.85	1.08
Aqua	5850.00	4.67	283.22	-0.46

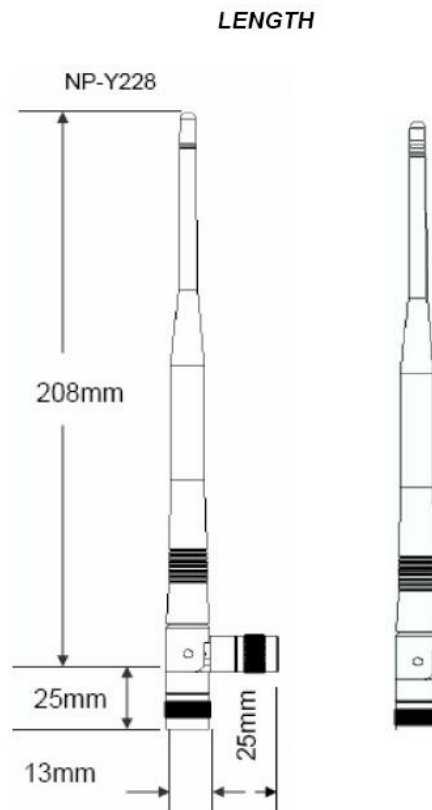
## ConnectCore 3G 9P 9215 Cellular Antenna

### Attributes

Attributes	Band 1	Band 2
Frequency	824 - 896	1710 - 1990
VSWR	$\leq 2.0 :1$	
dBi gain	2	3
Polarization	Vertical	
Impedance	50 Ohm	
Power Output	See measurements in the drawing following this table	
Operating Temperature	-30° C to +70° C	
Storage Temperature	-40° C to +85° C	
Part number	<b>DC-ANT-DBDP3</b>	

### Dimensions

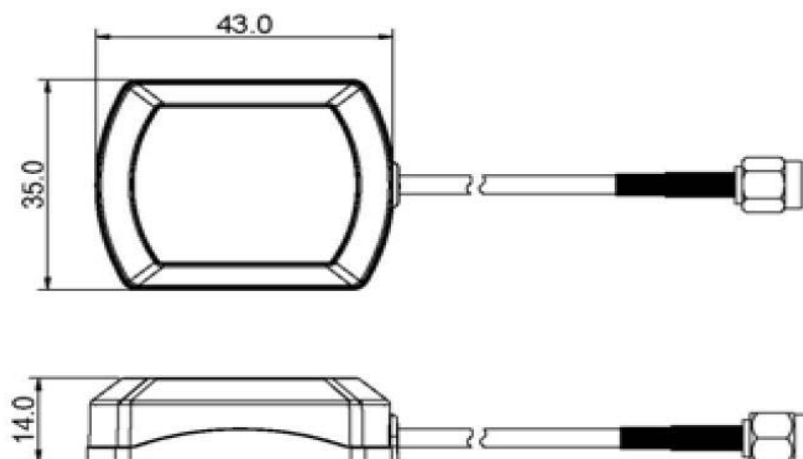
**Note:** Dimensions are provided for reference purposes only. The actual antenna may vary.



## ConnectCore 3G 9P 9215 GPS Antenna

### Attributes

Parameter	Specification
Frequency	1575 ± 3 MHz
VSWR	max. 2
Bandwidth	min 10 MHz
Impedance	50 Ohm
Peak Gain	4 dBic min. (on 7cm x 7cm ground plane)
Gain Coverage	≥ -4dBic at $-90^\circ \leq \theta \leq -90^\circ$ (over 75% volume)
Power Handling	1 watt
Polarization	RHCP
Amplifier Gain	typ. 27 dB (without cable)
Noise Figure	typ. 1.5 dB
Output VSWR	max 2.0
Filtering	-35 dB (± 100 MHz)
DC Voltage	2.7 to 6.0 VDC
DC Current	typ 8.5 mA, ± 4.5 mA
Operating Temperature	-40° C to +85° C
Storage Temperature	-40° C to +85° C
Vibration	Sine, Sweep, 1G (0-P), 10-150?Hz each axis
Humidity	95% ~100% RH
Part Number	76000842







# Appendix B: Certifications

The ConnectCore 9P 9215 Family of modules comply with the standards cited in this section.

## FCC Part 15 Class B

---

### **Radio Frequency Interface (RFI) (FCC 15.105)**

The ConnectCore 9P 9215, ConnectCore Wi-9P 9215, and ConnectCore 3G 9P 9215 modules have been tested and found to comply with the limits for Class B digital devices pursuant to Part 15 Subpart B, of the FCC rules. These limits are designed to provide reasonable protection against harmful interference in a residential environment. This equipment generates, uses, and can radiate radio frequency energy, and if not installed and used in accordance with the instruction manual, may cause harmful interference to radio communications. However, there is no guarantee that interference will not occur in a particular installation. If this equipment does cause harmful interference to radio or television reception, which can be determined by turning the equipment off and on, the user is encouraged to try and correct the interference by one or more of the following measures:

- Reorient or relocate the receiving antenna.
- Increase the separation between the equipment and receiver.
- Connect the equipment into an outlet on a circuit different from that to which the receiver is connected.
- Consult the dealer or an experienced radio/TV technician for help.

### Labeling Requirements (FCC 15.19)

This device complies with Part 15 of FCC rules. Operation is subject to the following two conditions: (1) this device may not cause harmful interference, and (2) this device must accept any interference received, including interference that may cause undesired operation.

If the FCC ID is not visible when installed inside another device, then the outside of the device into which the module is installed must also display a label referring to the enclosed module FCC ID. This exterior label can use wording such as the following: "Contains Transmitter Module FCC ID: MCQ-50M1589/ IC: 1846A-50M1589".

### RF Exposure

RF exposure considerations require that a 20 cm separation distance between users and the installed antenna location shall be maintained at all times when the module is energized. OEM installers must consider suitable module and antenna installation locations in order to assure this 20 cm separation, and end users must be also be advised of the requirement.

### Modifications (FCC 15.21)

Changes or modifications to this equipment not expressly approved by Digi may void the user's authority to operate this equipment.

### Industry Canada

This digital apparatus does not exceed the Class B limits for radio noise emissions from digital apparatus set out in the Radio Interference Regulations of the Canadian Department of Communications.

Le present appareil numerique n'emet pas de bruits radioelectriques depassant les limites applicables aux appareils numeriques de la class B prescrites dans le Reglement sur le brouillage radioelectrique edicte par le ministere des Communications du Canada.

The maximum antenna gain permitted in the bands 5250-5350 MHz and 5470-5725 MHz to comply with the e.i.r.p. limit is, according to RSS-210 section A9.2(2):

- 250mW conducted power
- 1.0W max EIRP

This limit is met with the highest gain antenna listed, World Products Inc WPANTE3.

The maximum antenna gain permitted in the band 5725-5825 MHz to comply with the e.i.r.p. limit specified for non point-to-point operation is, according to RSS-210 section A9.2(3):

- 1W conducted power.
- 4.0W max EIRP.

This limit is met with the highest gain antenna listed, World Products Inc WPANTE3.



OEM installers and users are cautioned to take note that high-power radars are allocated as primary users (meaning they have priority) of the bands 5250-5350 MHz and 5650-5850 MHz and these radars could cause interference and/or damage to devices operating in these frequency bands.

### Indoor/Outdoor

When the ConnectCore Wi-9P 9215 module is installed in devices that can be used outdoors, the channels in the band 5150-5250 MHz must be disabled to comply with US and Canadian regulatory requirements. The OEM users are encouraged to inform end users of this restriction as well.

### Declaration of Conformity

(In accordance with FCC Dockets 96-208 and 95-19)

**Manufacturer's Name:** Digi International  
**Corporate Headquarters:** 11001 Bren Road East  
 Minnetonka MN 55343  
**Manufacturing Headquarters:** 10000 West 76th Street  
 Eden Prairie MN 55344

Digi International declares that the product:

**Product Name** ConnectCore 9P 9215  
**Model Numbers:** FS-3029  
 FS-3038

and the product:

**Product Name** ConnectCore Wi- 9P 9215  
**Model Numbers:** FS-3044

to which this declaration relates, meet the requirements specified by the Federal Communications Commission as detailed in the following specifications:

- Part 15, Subpart B, for Class B equipment
- FCC Docket 96-208 as it applies to Class B personal
- Personal computers and peripherals

The products listed above have been tested at an External Test Laboratory certified per FCC rules and have been found to meet the FCC, Part 15, Class B, Emission Limits. Documentation is on file and available from the Digi International Homologation Department.

**ConnectCore 3G 9P 9215:****Qualcomm  
Gobi 3000  
Module  
Certifications**

- TIA/EIA IS-98E (CDMA2000)
- TIA/EIA IS-866 (1xEV-DO)
- TS 25.101 (UMTS)
- TS 45.005 (GSM)
- CTIA/GCF/PTCRB
- FCC
  - 47 CFR Part 1, RF radiation exposure limits
  - 47 CFR Part 2, equipment authorization
  - 47 CFR Part 15, unintentional radiators
  - 47 CFR Part 22, cellular
  - 47 CFR Part 24, PCS
- CE
  - EMC protection requirements
    - EN 301 489-1, common technical requirements
    - EN 301 489-7, GSM and DCS
    - EN 301 489-24, WCDMA 2100
    - EN 301 489-25, CDMA2000
  - Effective use of spectrum to avoid unwanted interference requirements
    - EN 301 908-1, general requirements
    - EN 301 908-2, WCDMA 2100
    - EN 301 908-4, CDMA2000
    - EN 301 511 GSM900/1800
    - EN 301 607-1 GSM900/1800
- UICC: TS 51.101 & IEC-6801-3
  - Compliance dependent on platform characteristics
- USB 2.0 High Speed
  - Compliance dependent on platform characteristics
- Safety: EN 50360/61 full carrier certification
- Microsoft WHQL certification
- ROHS compliance



## International EMC Standards

The ConnectCore 9P 9215, ConnectCore Wi-9P 9215, and ConnectCore 3G 9P 9215 modules meet the following standards:

Standards	ConnectCore 9P 9215
<b>Emissions</b>	FCC Part 15 Subpart B ICES-003
<b>Immunity</b>	EN 55022 EN 55024
<b>Safety</b>	UL 60950-1 CSA C22.2, No. 60950-1 EN60950-1



# Appendix C: Change Log

The following changes were made to this document in revisions listed below.

## Revision B

---

- 1 Deleted the following non-applicable text: “Onboard flash: The module has 8Mx16 NOR by 2Mx16 NOR flash onboard. Greater sizes can optionally be populated, if available. ”
- 2 Replaced “Current measurements with FIM (DRPIC) enabled” and “Current measurements with FIM (DRPIC) disabled” with “Typical module current / power measurements” and “Typical power save module / JumpStart board current / power consumption measurements.”

## Revision C

---

- 1 On page 9 updated Digi information.
- 2 On page 43 within Serial Port B MEI configuration switches table, deleted no applicable reference to RS422/RS485 regarding S1.1.
- 3 On page 48 corrected Serial UART ports figure callout arrows.
- 4 On page 60 regarding POWE\_GND, corrected from X24 to X26.4 and X26.5.
- 5 On page 72 corrected figure of module top.

## Revision D

---

- 1 Made additions necessary to accomodate additional device, CCWi-9P 9215.



## Revision E

---

- 1 Made corrections to current draw information.

## Revision F

---

- 1 Minor data corrections were made and Canadian certifications information was expanded.

## Revision G

---

- 1 On page 92, corrected FCC ID number.

## Revision H

---

- 1 On page 87, corrected the 5.5 dBi Dipoles antenna's part number within the attributes table.

## Revision I

---

- 1 Removed "5V tolerant" from the I<sup>2</sup>C digital I/O expansion section.

## Revision J

---

- 1 Revised the WLAN Interface section of Appendix A.

## Revision K

---

- 1 Added ConnectCore 3G 9P 9215 information to the manual.

## Revision L

---

- 1 Revised the Strapping Options table in Appendix C.

- 2 Revised the Configuration Pins section text of Chapter 1.
- 3 Revised the User Interface section of Chapter 2.
- 4 Added text describing the WWAN Interface section of Chapter 2.
- 5 Renamed the Typical Power Save Current /Power Measurements section ConnectCore 9P 9215 and ConnectCore Wi-9P 9215 Typical Power Save Current/ Power Measurements in Appendix A. Also, added the ConnectCore 3G 9P 9215 Typical Power Save Current/ Power Measurements section to Appendix A.
- 6 Revised the Typical Module Current/ Power Measurements section of Appendix A.

## Revision M

---

- 1 Revised bullet 17 of the Features and Functionality section of Chapter 1.

## Revision N

---

- 1 Added information for Digi Plug-and-Play software users to Chapter 1.
- 2 Added ConnectCore 3G 9P 9215 GPS antenna information to Appendix A.
- 3 Added 802.11a available transmit power settings to Appendix A.

## Revision P

---

**Note:** Revision O is not used.

- 1 Revised the “Module Functionality” and “I/O Multiplexing” descriptions for pins 1, 2, 45, 76, 77, 78, 79, and 80 in the X2 Pinout table of Chapter 1.

## Revision R

---

**Note:** Revision Q is not used.

- 1 Added a comment to all tables of Chapter 1 containing EIRQ0 regarding this item’s availability.

