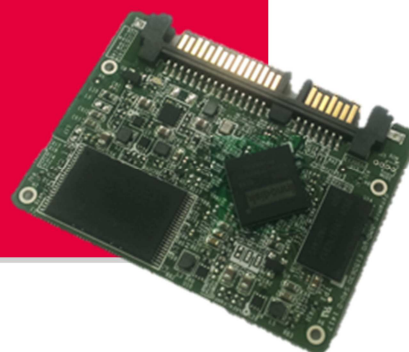


Datasheet

# SATA Slim 3MG2-P\_AES series

- SATA III solution for industrial field
- Hardware-based AES 256bits key
- iData Guard protection
- iSMART disk health monitoring
- Compliant with TCG OPAL 2.0
- Compliant with IEEE 1667
- Excellent data transfer speed
- Compatible with JEDEC MO-297 standard



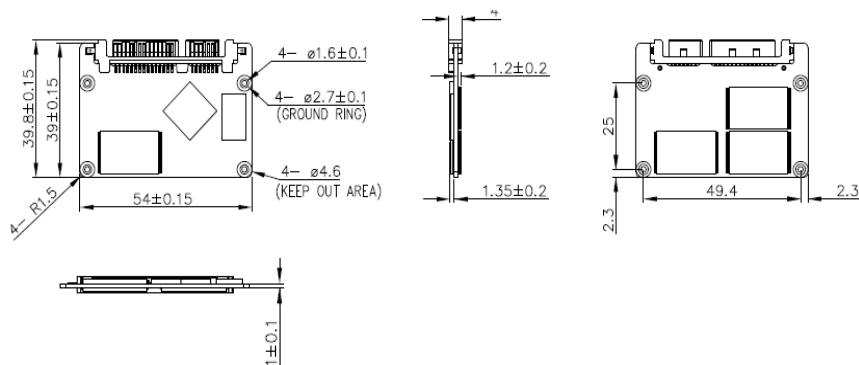
## Introduction

Innodisk SATA Slim 3MG2-P is SATA III 6Gb/s Flash based disk, which designed with standard SATA interface (7+15 SATA connector), and compatible with JEDEC MO-297 standard. Innodisk SATA Slim 3MG2-P is designed with AES engine, which is built-in the controller. When controller receives the data package from host, AES engine encrypts the data package and saves the encrypted data into NAND flash. Thus, unauthorized personal has no access to decrypt the data in NAND flash. Innodisk SATA Slim 3MG2-P supports several standard features, including TRIM, NCQ, and S.M.A.R.T and compliant with TCG OPAL 2.0 and IEEE 1667.

# SATA Slim 3MG2-P series Drawing

Contact us for more information  
about the SATA Slim 3MG2-P

Innodisk is a service-driven provider of industrial embedded flash and DRAM storage products and technologies, with a focus on the industrial/embedded, aerospace and defense, and cloud computing industries.



## Headquarters (Taiwan)

5F., No.237, Sec. 1, Datong Rd.,  
Xizhi Dist., New Taipei City 221,  
Taiwan (R.O.C.)

Tel: +886-2-77033000  
Email: sales@innodisk.com

## Branch Offices:

USA  
[usasales@innodisk.com](mailto:usasales@innodisk.com)  
+1-510-770-9421

Europe  
[eusales@innodisk.com](mailto:eusales@innodisk.com)  
+31-040-282-1818

Japan  
[jpsales@innodisk.com](mailto:jpsales@innodisk.com)  
+81-3-6667-0161

China  
[sales\\_cn@innodisk.com](mailto:sales_cn@innodisk.com)  
+86-755-2167-3689  
[www.innodisk.com](http://www.innodisk.com)

© 2016 Innodisk Corporation.  
All right reserved. Specifications  
are subject to change without  
prior notice.

Interface	SATA III
Flash Type	MLC
Capacity	32GB~512GB
Max. Channels	4
Sequential R/W (MB/sec, max.)*	530/370 MB/s
4KB Random (QD32) R/W (IOPS)**	73,000/73,000
Max. Power Consumption	2.9W (5V x 590 mA )
Thermal Sensor	√
External DRAM Buffer	√
H/W Write Protect	Optional
Pin7 Power	-
ATA Security	√
S.M.A.R.T.	√
DEVSLP Mode	√ (min. power consumption 3mW)
Slumber Mode	√ (min. power consumption 30mW)
Dimension (WxLxH)	54.0 X 39.0 X 4.0 mm
Environment	Vibration: 20G @7~2000Hz Shock: 1500G @ 0.5ms Storage Temperature: -55°C ~ +95°C MTBF: 3 million hours
* Sequential performance based on CystalDiskMark 3.01 with file size 1000MB	
** Random performance based on Iometer with Queue Depth 32	

20160407

## Ordering Information

Operation Temp.	32GB	64GB	128GB	256GB	512GB
Standard Grade (0°C ~+70°C)	DGSLM-32GD82BC1QC	DGSLM-64GD82BC1QC	DGSLM-A28D82BC1QC	DGSLM-B56D82BC1QC	DGSLM-C12D82SCAQN
	DGSLM-32GD82SCADN	DGSLM-64GD82SCAQN	DGSLM-A28D82SCAQN	DGSLM-B56D82SCAQN	
Industrial Grade (-40°C ~+85°C)	DGSLM-32GD82BW1QC	DGSLM-64GD82BW1QC	DGSLM-A28D82BW1QC	DGSLM-B56D82BW1QC	DGSLM-C12D82SWAQN
	DGSLM-32GD82SWADN	DGSLM-64GD82SWAQN	DGSLM-A28D82SWAQN	DGSLM-B56D82SWAQN	

innodisk

[www.innodisk.com](http://www.innodisk.com)