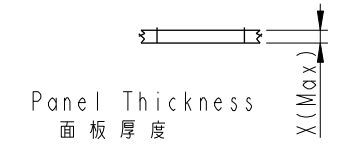
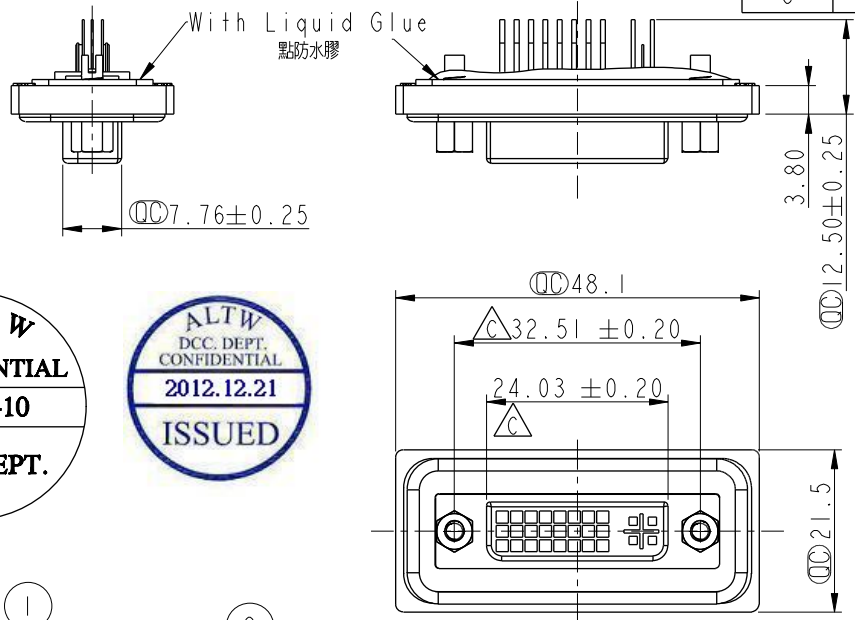
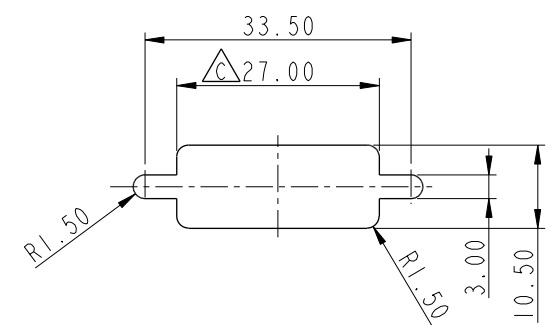


REV.	ECN NO.	DATE	SIGN	DESCRIPTION
A		2005/11/16	DAVID	Released Rev.A
B	LE3-710146	2006/12/13	Gao Ling	Move O-ring to ZSE00100842
C	LEN12C0092	2012/12/10	Ruru	Modify Dimension

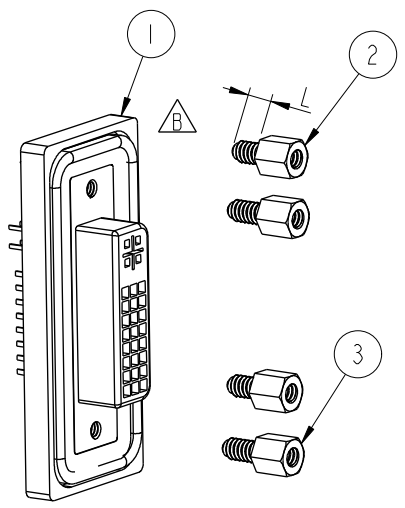
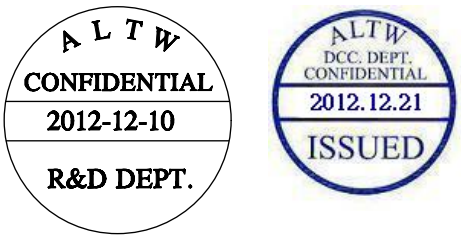


Screw L=5.0 For Panel Thickness Under 1.2mm  
適用板厚為1.2mm以下

Screw L=6.0 For Panel Thickness Between 1.2~2.0mm  
適用板厚為1.2~2.0mm



Recommended Panel Cut-Out  
建議挖孔尺寸



- Note:
- \*  $\varnothing$  Important Dimension.
  - \* Waterproof Rate : IP68  
IP68: 1M of depth of water 24 hours  
(防水等級 : IP68)  
(IP68: 1 米水深 24 小時)
  - \* Do Mating Test After Glued  
點膠後, 須作對插測試
  - \* Add glue can't highly exceed pin  
(點膠高度不得蓋過pin針)
  - \* DVI Conn. : Black Core , Nylon66
  - \* Plastic Jacket : Black , Nylon+GF
  - \* Pin : Copper Alloy , Gold Plated
  - \* Ring : Light Blue, Silicone
  - \* Screw : Copper Alloy, Nickel Plated, #4-40 UNC

UNIT:mm		TITLE		ITEM NO		DRAWN BY		DATE	
		Female DVI2S Connector(24+5)		DID-29PFFS-SL8001		Ruru		2012-12-19	
TOLERANCE		SCALE	SIZE	SHEET	DWG NO	CHECKED BY	DATE		
.X ±0.25		1:1	A4	1 OF 1	DID-29PFFS-SL8001	Rita	2012-12-19		
.XX ±0.1		REV.	WC-REV.		CUSTOMER	APPROVED BY	DATE		
.XXX ±0.05		C	B.3		ALTW	Maslow	2012-12-19		
ANGLES ±1		$\varnothing$ : Inspection item							

**Amphenol LTW**  
安費諾亮泰企業股份有限公司

THIS DOCUMENT IS SUBJECT TO CHANGE WITHOUT NOTICE. IT IS CONFIDENTIAL AND A PROPERTY OF Amphenol LTW. DISCLOSURE TO THIRD PARTY HAS TO BE AUTHORIZED BY Amphenol LTW.