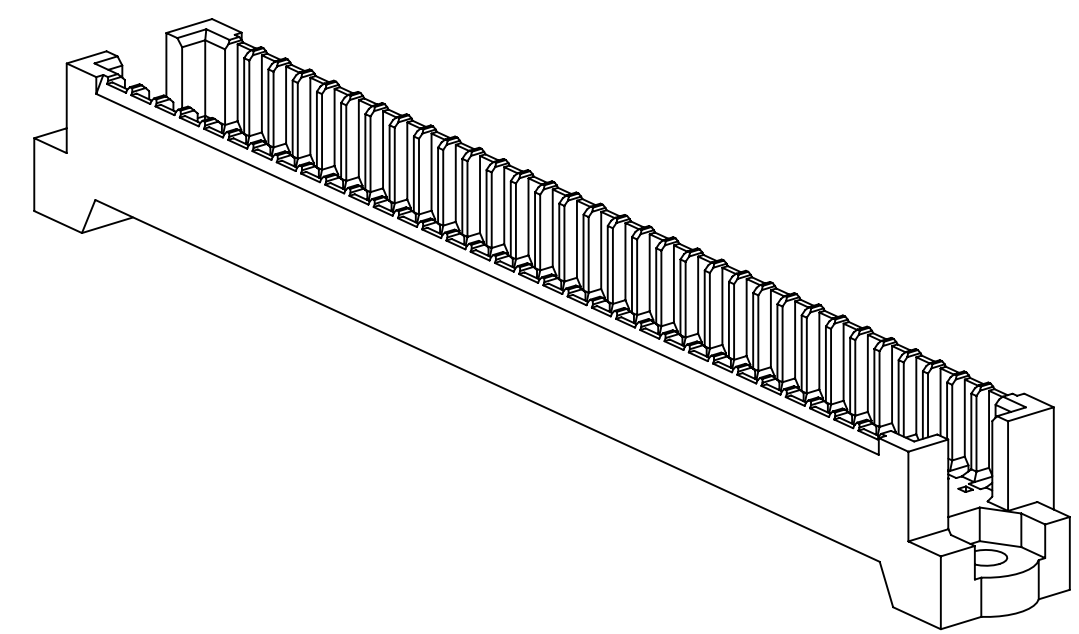
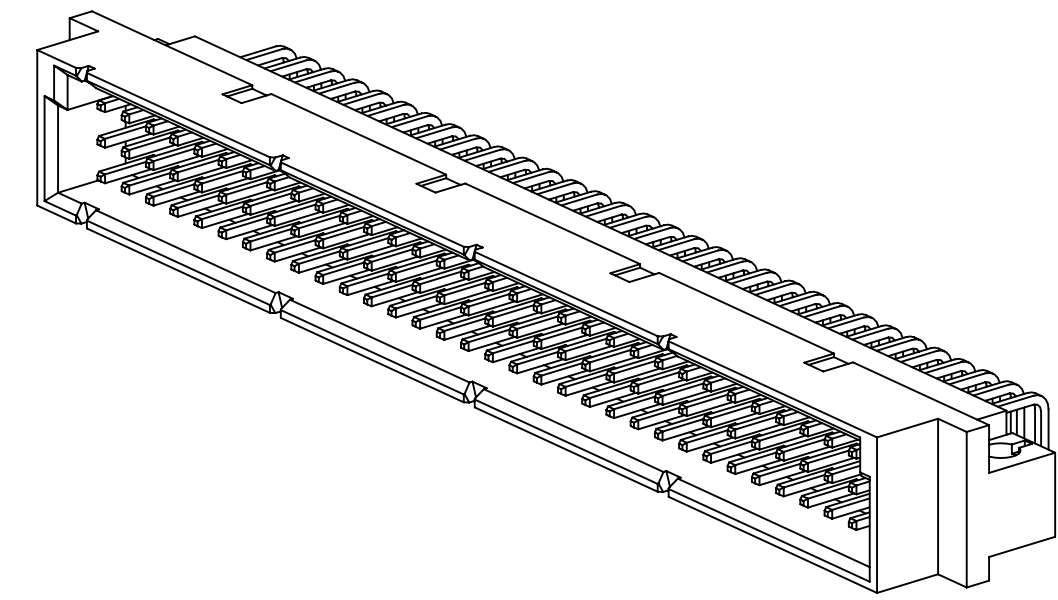


3M™ DIN C-FORM & R-FORM PLUG, DIN 41612 SERIES  
 VERTICAL, RIGHT ANGLE, SOLDER TAIL OR PRESS-FIT TERMINATION, .100" BACKPLANE REAR PLUG

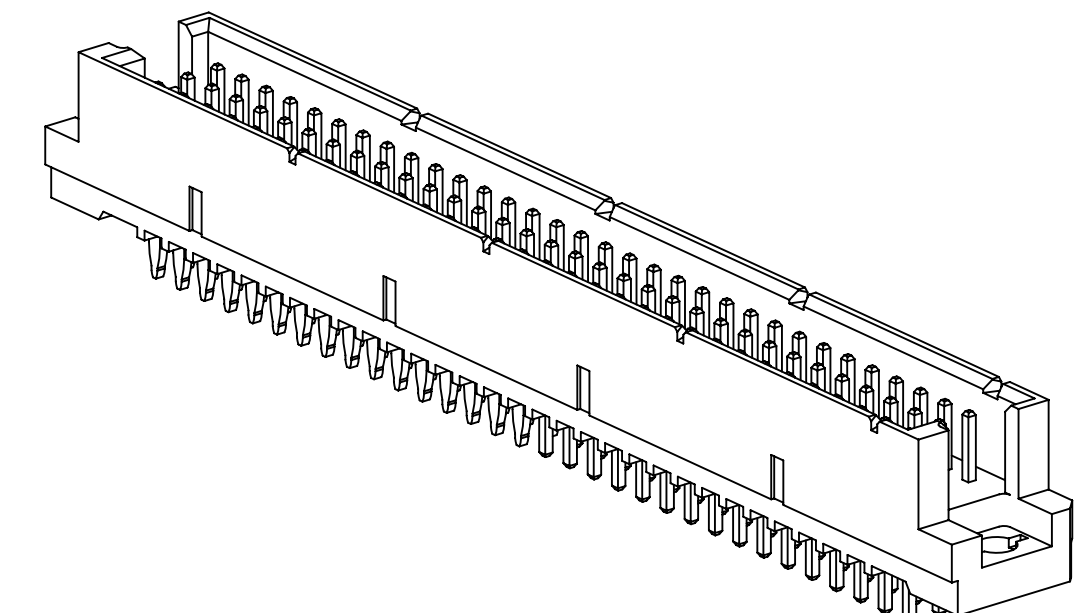
NOTES  
 1. REGULATORY INFORMATION:  
 VISIT 3M.com/regs  
 2. IN THE EVENT OF CONFLICT  
 BETWEEN THIS DATA AND THAT  
 CONTAINED IN THE PRODUCT  
 SPECIFICATION, THE PRODUCT  
 SPECIFICATION TAKES PRECEDENT.



DIN-XXXSH-XXX-X  
 .100" BACKPLANE, REAR PLUG SHROUD



DIN-XXXCPX-XXX  
 RIGHT ANGLE VERSION



DIN-XXXRPX-XXX  
 VERTICAL VERSION

2 PHYSICAL :

INSULATOR: GLASS FILLED POLYESTER (PBT)  
 MATERIAL: GLASS FILLED POLYESTER (PBT)  
 FLAMMABILITY: UL94V-0  
 COLOR: GRAY  
 CONTACT: COPPER ALLOY  
 MATERIAL: COPPER ALLOY  
 PLATING: 50μ" MIN. NICKEL  
 UNDER PLATING: SEE ORDERING INFORMATION  
 WIPING AREA: SEE ORDERING INFORMATION  
 TERMINATION AREA: SEE ORDERING INFORMATION

2 ELECTRICAL :

CURRENT RATING: 3.0A AT 30°C T-RISE ABOVE AMBIENT  
 CONTACT RESISTANCE: ≤ 20mΩ  
 INSULATION RESISTANCE: ≥ 5,000 MΩ, 500 V<sub>DC</sub>  
 WITHSTANDING VOLTAGE: 1,000V<sub>AC</sub> FOR 1 MINUTE

2 ENVIRONMENTAL :

TEMPERATURE RATING: -55°C TO 125°C  
 PROCESS TEMPERATURE RATING: MAX. INSULATOR TEMPERATURE 191°C  
 (SOLDER WAVE PROCESS ONLY)

MM [ INCH ]		
TOLERANCE - UNLESS NOTED		
	X	.XX
MM	±.50	±.25 ±.15
[ INCH ]	±.020	±.010 ±.006
[ ] = DIM. FOR REFERENCE ONLY		

3M ELECTRONICS MATERIALS SOLUTIONS DIVISION  
 INTERCONNECT SOLUTIONS  
<http://www.3M.com/interconnect>

3M IS A TRADEMARK OF 3M COMPANY.  
 FOR TECHNICAL, SALES OR ORDERING  
 INFORMATION CALL 800-225-5373

DIMENSIONS: MM [ INCHES ]  
 [ INCHES ] IS REF. ONLY

UL FILE NO: E68080

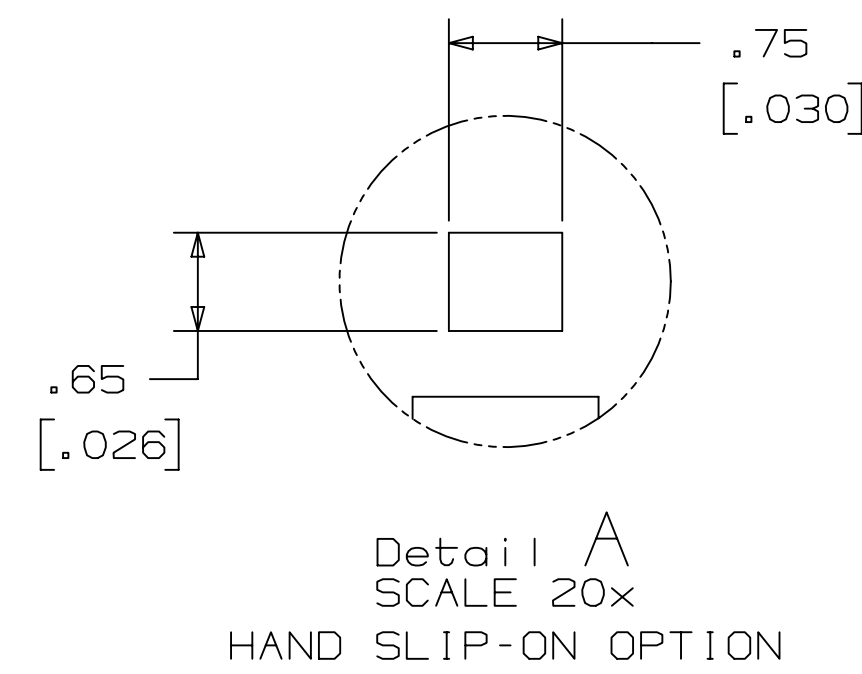
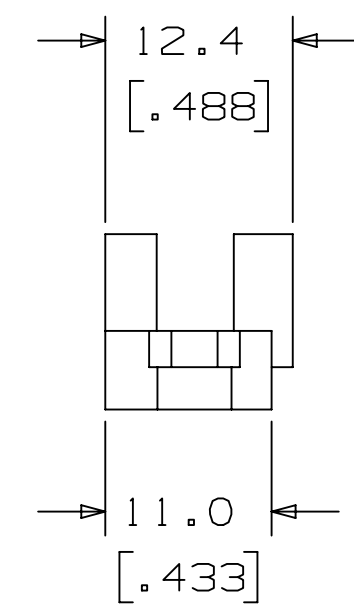
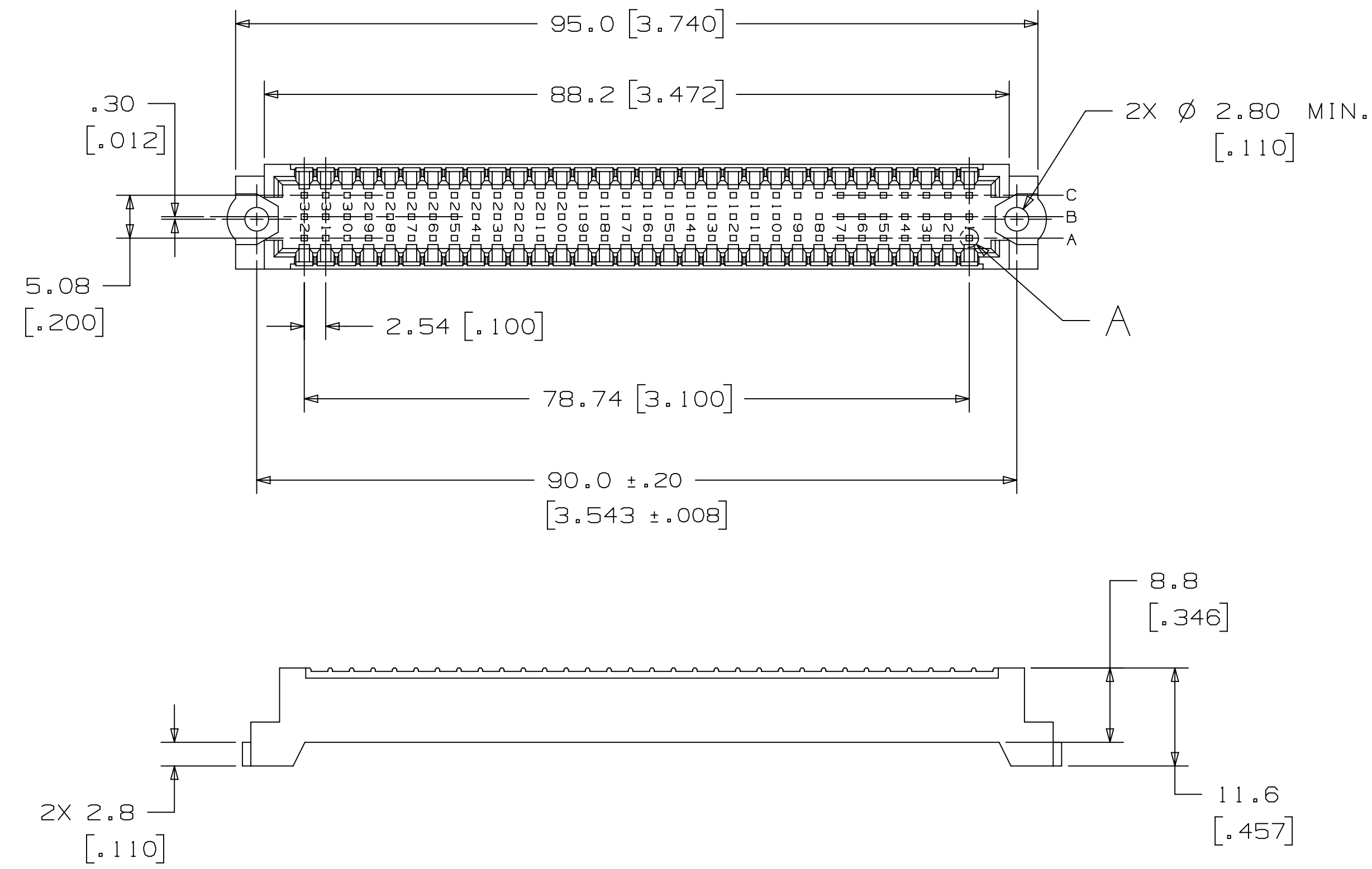
REV	ECO	ISSUE DATE AND DESCRIPTION	DRFT	CHKD
C	97226	MAY 25, 2021 REVISED INSULATION RESISTANCE	JNC	SAN
B	73823	MAY 30, 2017 REMOVE PLATING SH & FJ	JNC	WL
A	72454	FEB 24, 2017 PRODUCTION RELEASE	JNC	WL

DESIGN REFERENCE	NEXT ASSEMBLY	DRFT	DATE	CHKD	DATE
		CASTIGLIONE	FEB 20, 2017	W. LEE	FEB 20, 2017
DIVISION	DIVISION CODE	3M Center St. Paul, MN 55144 © 3M COPYRIGHT 2021 This document and the information it contains are 3M property and may not be reproduced or further distributed without 3M permission, or used or disclosed other than for 3M authorized purposes. All rights reserved.			
DO NOT SCALE DRAWING	SCALE 2/1	TOLERANCES EXCEPT AS NOTED	INCHES .00 ± .000 ± .0000 ± MILLIMETERS 0 ± .00 ± .000 ± .000 ±		
THIRD ANGLE PROJECTION	INTERPRET PER ASME Y14.5 - 2018	MAX. SURFACE ROUGHNESS	TITLE DIN C & R-FORM PLUG, RA, VERT, SOLDER TAIL OR PRESS-FIT		
MARKED ONLY			CAGE NUMBER	SIZE	DRAWING NO.
			D		78-5100-2671-5
			MODEL	REV.	
				C	

78-5100-2671-5  
DRAWING NUMBER

A

3M™ DIN C-FORM & R-FORM PLUG, DIN 41612 SERIES  
 VERTICAL, RIGHT ANGLE, SOLDER TAIL OR PRESS-FIT TERMINATION, .100" BACKPLANE REAR PLUG



ORDERING INFORMATION  
 C-FORM AND R-FORM SHROUD VERSION  
 DIN-XXXSH-XXX-X

CONTACT QUANTITY:  
 096 = 3 X 32

PIN FIT OPTION:  
 Q = HAND PRESS-FIT

BODY HEIGHT:  
 457 = 11.6 [.457]

THIS DIAGRAM SERVES ONLY FOR PART NUMBER DESCRIPTIVE DEFINITIONS.  
 PLEASE CONTACT YOUR LOCAL SALES REPRESENTATIVE FOR CUSTOMER SPECIFIC  
 PRODYCT CONFIGURATIONS.

REV	ECO	ISSUE DATE AND DESCRIPTION	DRFT	CHKD
C	97226	MAY 25, 2021 REVISED INSULATION RESISTANCE	JNC	SAN
B	73823	MAY 30, 2017 REMOVE PLATING SH & FJ	JNC	WL
A	72454	FEB 24, 2017 PRODUCTION RELEASE	JNC	WL

DESIGN REFERENCE	NEXT ASSEMBLY	DRFT	CHKD	DATE	DATE	DATE
		CASTIGLIONE		FEB 20, 2017	MFG	FEB 20, 2017
					W. LEE	FEB 20, 2017

DO NOT SCALE DRAWING	SCALE 2/1	TOLERANCES EXCEPT AS NOTED	
THIRD ANGLE PROJECTION	INTERPRET PER ASME Y14.5 - 2018	MILLIMETERS	
MAX SURFACE ROUGHNESS	ALL SURFACES	INCHES	
<input checked="" type="checkbox"/> MARKED ONLY			

	© 3M COPYRIGHT 2021 This document and the information it contains are 3M property and may not be reproduced or further distributed without 3M permission, or used or disclosed other than for 3M authorized purposes. All rights reserved.
TITLE	DIN C & R-FORM PLUG, RA, VERT, SOLDER TAIL OR PRESS-FIT
CAGE NUMBER	D78-5100-2671-5
SIZE	C
DRAWING NO.	
REV.	C

78-5100-2671-5  
DRAWING NUMBER

A

SHT 2 OF 5

3M™ DIN C-FORM & R-FORM PLUG, DIN 41612 SERIES  
 VERTICAL, RIGHT ANGLE, SOLDER TAIL OR PRESS-FIT TERMINATION, .100" BACKPLANE REAR PLUG

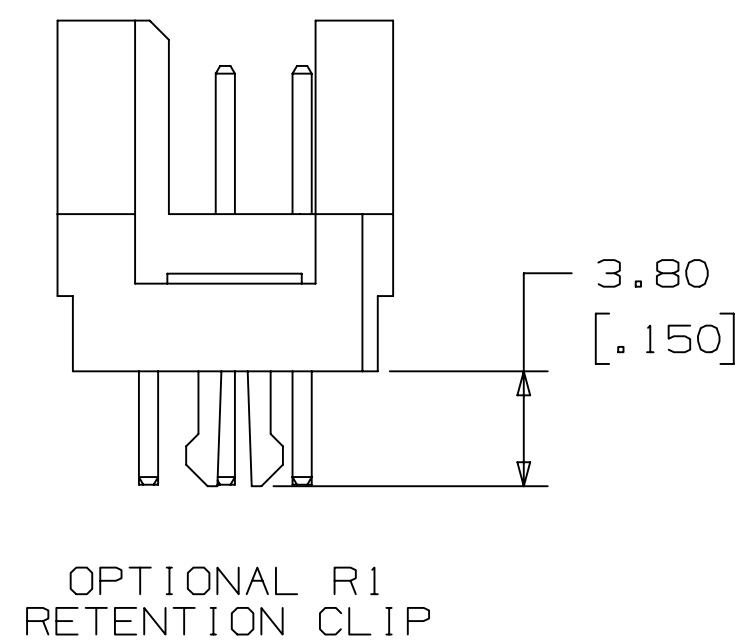
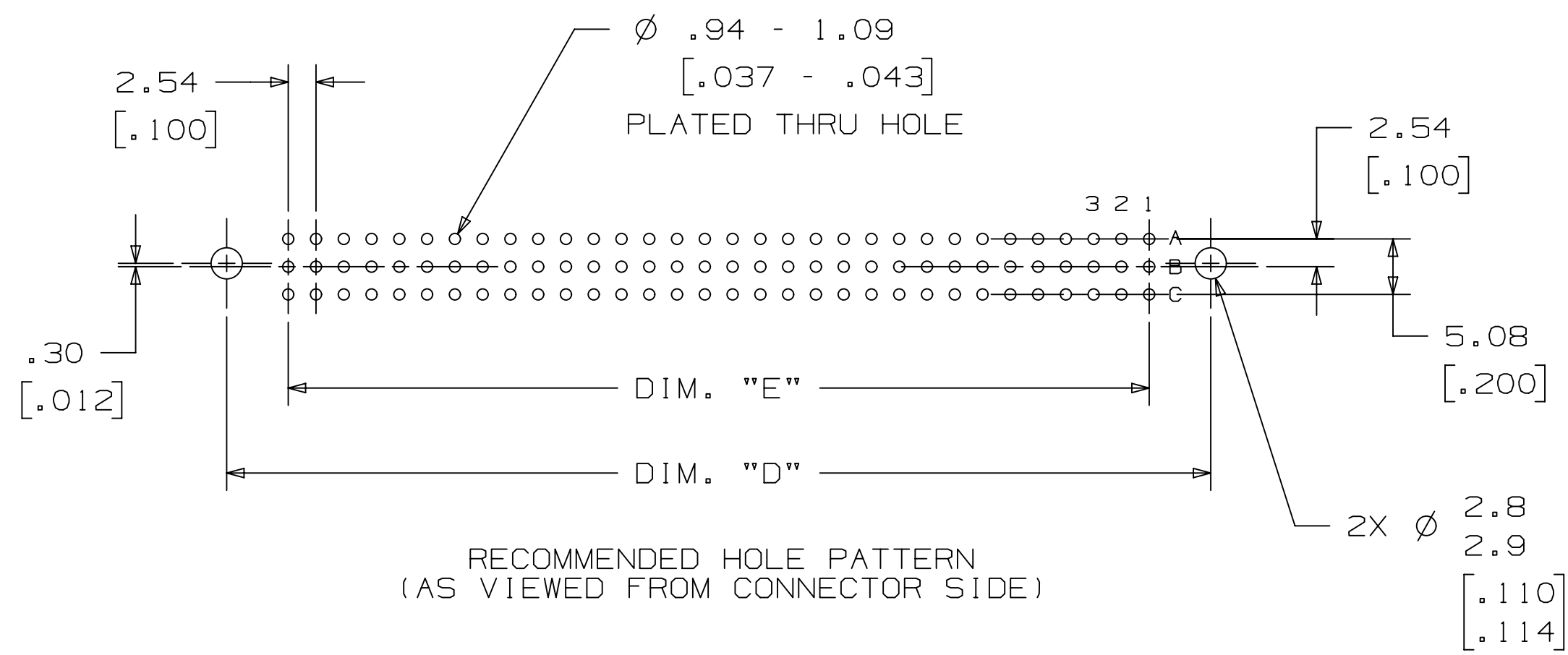
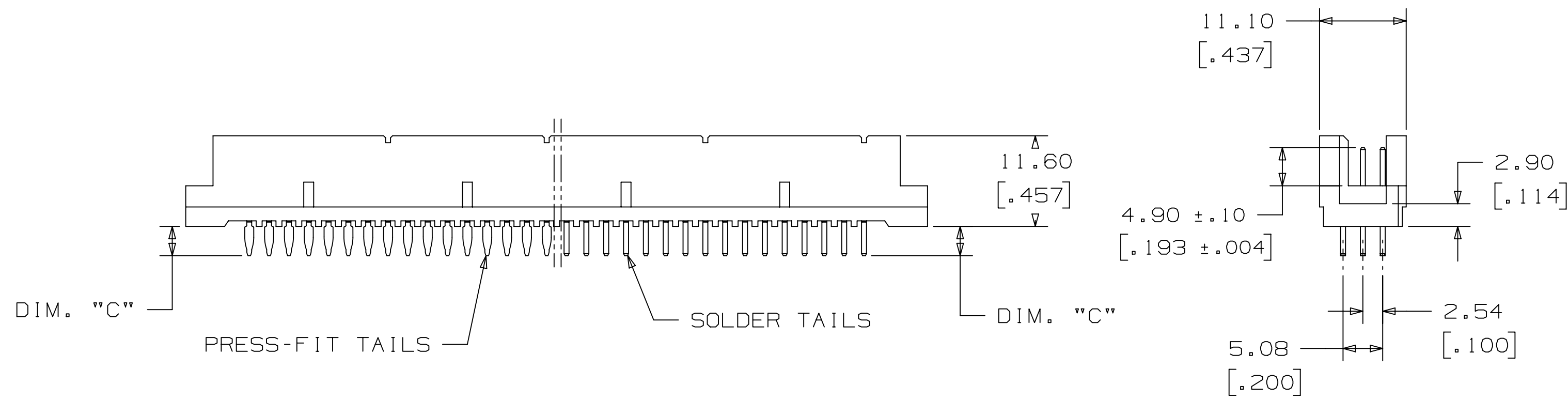
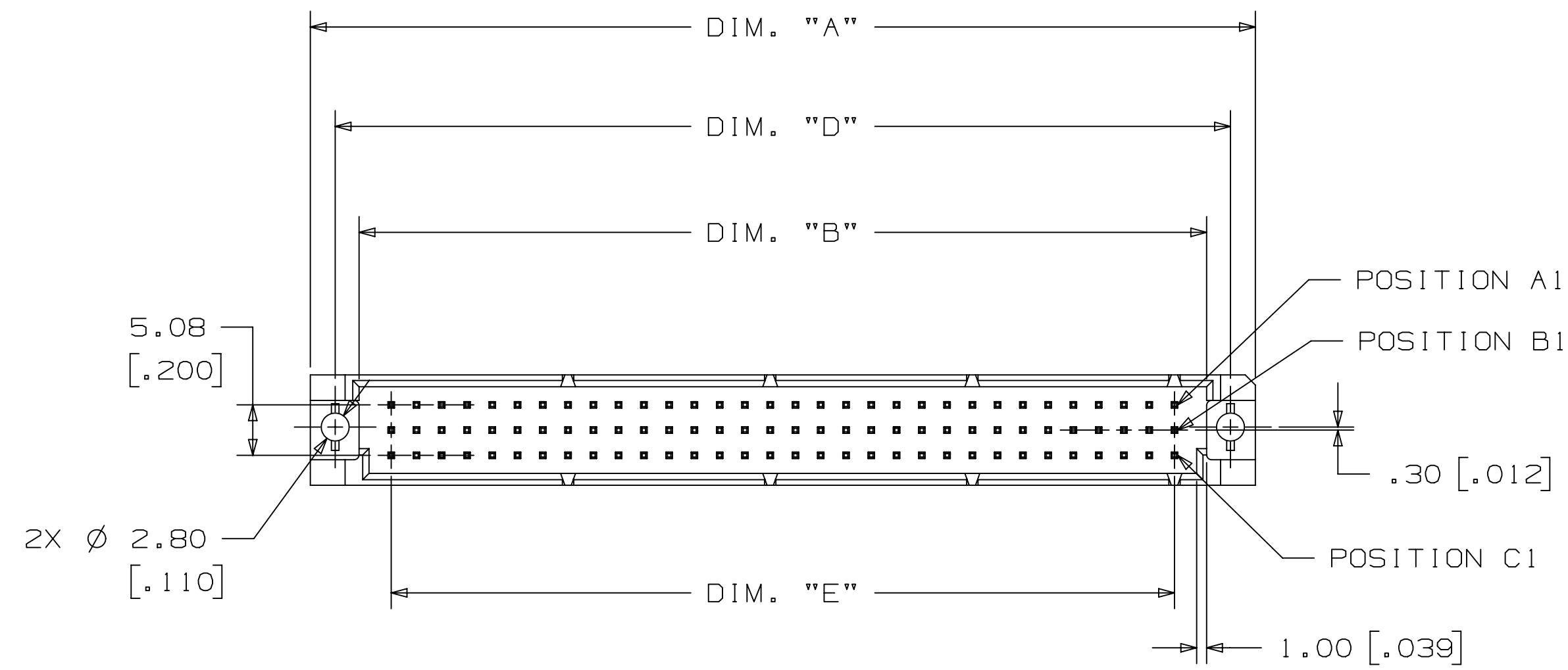


TABLE 1						
CONTACT QTY.	PART NUMBER	DIM. "A"	DIM. "B"	DIM. "D"	DIM. "E"	CONTACT QTY.
16	DIN-016RPA-XXX-XXXX	54.40 [ 2.142 ]	44.60 [ 1.756 ]	50.00 [ 1.969 ]	38.10 [ 1.500 ]	16
32	DIN-032RPB-XXX-XXXX	54.40 [ 2.142 ]	44.60 [ 1.756 ]	50.00 [ 1.969 ]	38.10 [ 1.500 ]	32
48	DIN-048RPC-XXX-XXXX	54.40 [ 2.142 ]	44.60 [ 1.756 ]	50.00 [ 1.969 ]	38.10 [ 1.500 ]	48
32	DIN-032RPD-XXX-XXXX	54.40 [ 2.142 ]	44.60 [ 1.756 ]	50.00 [ 1.969 ]	38.10 [ 1.500 ]	32
16	DIN-016RPE-XXX-XXXX	54.40 [ 2.142 ]	44.60 [ 1.756 ]	50.00 [ 1.969 ]	38.10 [ 1.500 ]	16
32	DIN-032RPA-XXX-XXXX	95.00 [ 3.740 ]	85.20 [ 3.354 ]	90.00 [ 3.543 ]	78.74 [ 3.100 ]	32
64	DIN-064RPB-XXX-XXXX	95.00 [ 3.740 ]	85.20 [ 3.354 ]	90.00 [ 3.543 ]	78.74 [ 3.100 ]	64
96	DIN-096RPC-XXX-XXXX	95.00 [ 3.740 ]	85.20 [ 3.354 ]	90.00 [ 3.543 ]	78.74 [ 3.100 ]	96
64	DIN-064RPD-XXX-XXXX	95.00 [ 3.740 ]	85.20 [ 3.354 ]	90.00 [ 3.543 ]	78.74 [ 3.100 ]	64
32	DIN-032RPE-XXX-XXXX	95.00 [ 3.740 ]	85.20 [ 3.354 ]	90.00 [ 3.543 ]	78.74 [ 3.100 ]	32
40	DIN-040RPA-XXX-XXXX	115.40 [ 4.543 ]	105.52 [ 4.154 ]	110.32 [ 4.343 ]	99.06 [ 3.900 ]	40
80	DIN-080RPB-XXX-XXXX	115.40 [ 4.543 ]	105.52 [ 4.154 ]	110.32 [ 4.343 ]	99.06 [ 3.900 ]	80
120	DIN-120RPC-XXX-XXXX	115.40 [ 4.543 ]	105.52 [ 4.154 ]	110.32 [ 4.343 ]	99.06 [ 3.900 ]	120
80	DIN-080RPD-XXX-XXXX	115.40 [ 4.543 ]	105.52 [ 4.154 ]	110.32 [ 4.343 ]	99.06 [ 3.900 ]	80
40	DIN-040RPE-XXX-XXXX	115.40 [ 4.543 ]	105.52 [ 4.154 ]	110.32 [ 4.343 ]	99.06 [ 3.900 ]	40

ORDERING INFORMATION  
 R-FORM VERSION

DIN-XXXXRPX-XXX-XX

CONTACT QUANTITY:  
 (SEE TABLE 1)

PLATING:

- A = A ROW ONLY (SEE NOTE)
- B = ROWS A & C FILLED
- C = ROWS A, B & C FILLED
- D = ROWS A & B FILLED
- E = B ROW ONLY (SEE NOTE)

- KR = 30-40µ" GOLD ON CONTACT AREA  
 120-200µ" MATTE TIN ON TERMINAL
- HM = 3µ" GOLD ON CONTACT AREA, 7µ" MIN. PdNi  
 120-200µ" MATTE TIN ON TERMINAL
- KV = 30µ" GOLD ON CONTACT AREA, 1-3µ" GOLD  
 ON BOARD TERMINATION

TERMINATION OPTIONS:  
 SEE TABLE 2

- NOTE:
- 1) A AND E OPTIONS ARE CURRENTLY NOT COVERED IN UL FILE NO. E68080.
  - 2) EARLY MATE LATE BREAK (EMLB) AND SELECTIVE LOADING OPTIONS AVAILABLE.
  - 3) MATES WITH C-FORM AND R-FORM SOCKETS.

THIS DIAGRAM SERVES ONLY FOR PART NUMBER DESCRIPTIVE DEFINITIONS.  
 PLEASE CONTACT YOUR LOCAL SALES REPRESENTATIVE FOR CUSTOMER SPECIFIC  
 PRODUCT CONFIGURATIONS.

TABLE 2		
SOLDER TERMINATION OPTION NO.	DIM. "C"	COMMENTS
R1	3.75 [ .148 ]	WITH RETENTION CLIP
S1	3.75 [ .148 ]	NO RETENTION CLIP
W	14.70 [ .579 ]	NO RETENTION CLIP
PRESS-FIT TERMINATION OPTION NO.	DIM. "C"	COMMENTS
DPS	5.00 [ .197 ]	
DPW1	13.25 [ .522 ]	

C	97226	MAY 25, 2021	JNC	SAN
B	73823	MAY 30, 2017	JNC	WL
A	72454	FEB 24, 2017	JNC	WL

DESIGN REFERENCE	NEXT ASSEMBLY	REV	ECO	ISSUE DATE AND DESCRIPTION	DRFT	CHKD
XXXX		000		FEB 20, 2017		
DIVISION	DIVISION CODE	This document and the information it contains are 3M property and may not be reproduced or further distributed without 3M permission, or used or disclosed other than for 3M authorized purposes. All rights reserved.				
DO NOT SCALE DRAWING	SCALE 2/1	TOLERANCES EXCEPT AS NOTED	<b>3M</b> 3M Center St. Paul, MN 55144			
THIRD ANGLE PROJECTION	INCHES	0 ±	TITLE DIN C & R-FORM PLUG, RA, VERT, SOLDER TAIL OR PRESS-FIT			
INTERPRET PER ASME Y14.5 - 2018	MILLIMETERS	0 ±	CAGE NUMBER D 78-5100-2671-5			
MAX SURFACE ROUGHNESS ALL SURFACES	0 ±	0.00 ±	MODEL SHT 3 OF 5			
MARKED ONLY	ANGLES	0 ±				

78-5100-2671-5  
 DRAWING NUMBER

A

3M™ DIN C-FORM & R-FORM PLUG, DIN 41612 SERIES  
 VERTICAL, RIGHT ANGLE, SOLDER TAIL OR PRESS-FIT TERMINATION, .100" BACKPLANE REAR PLUG

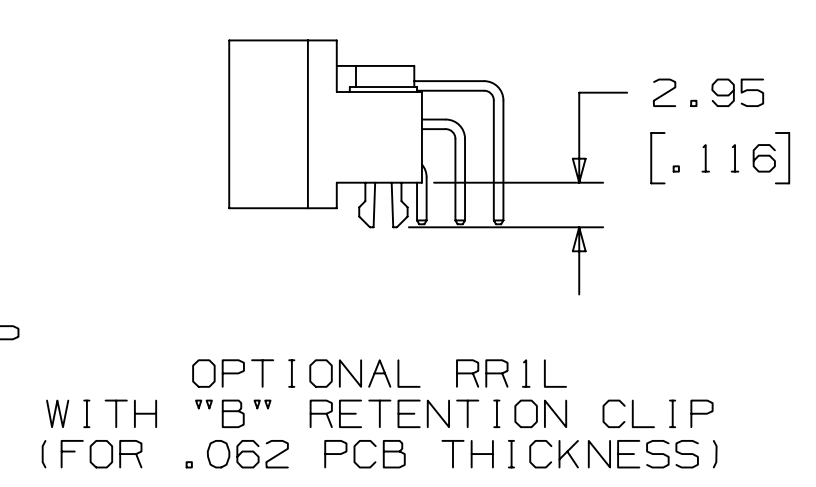
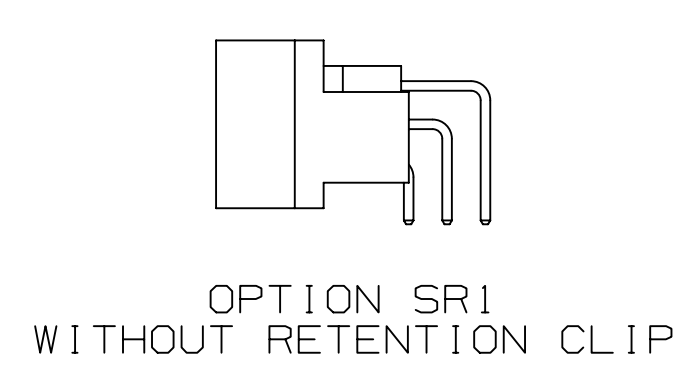
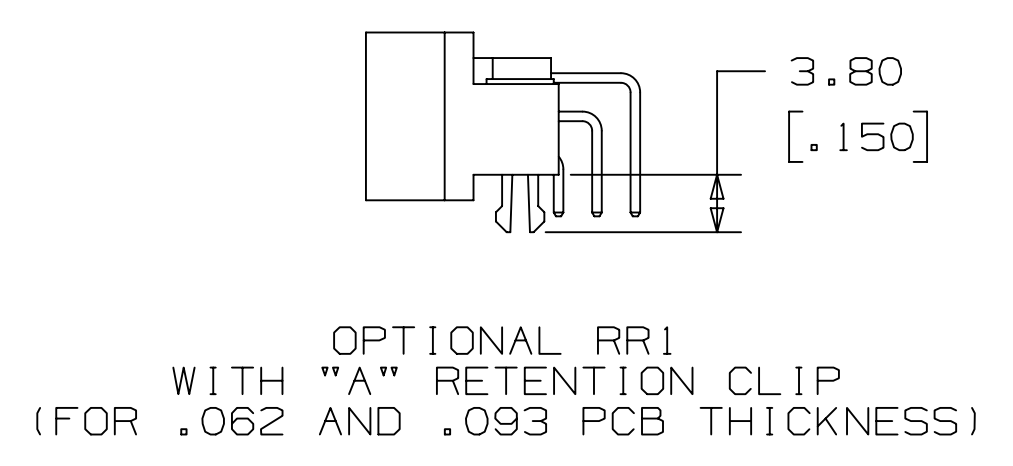
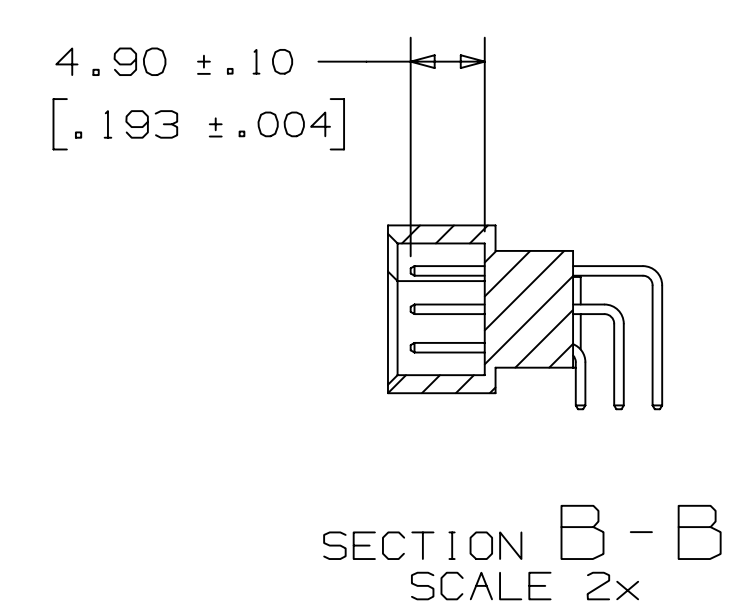
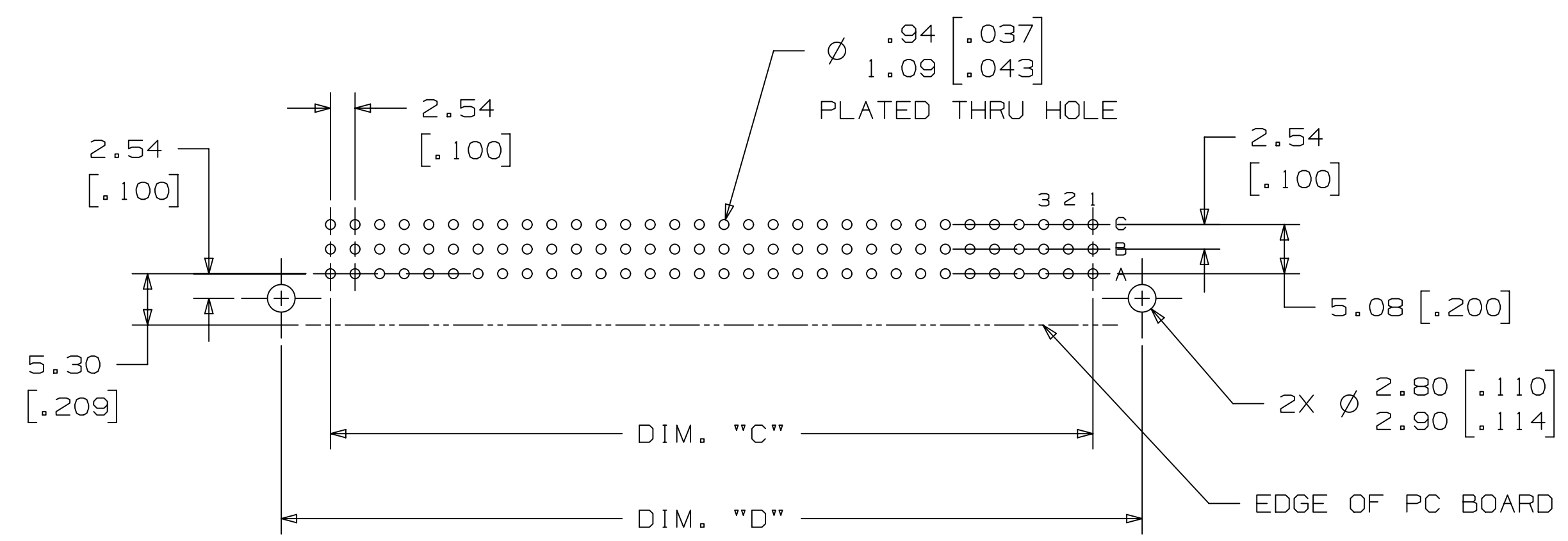
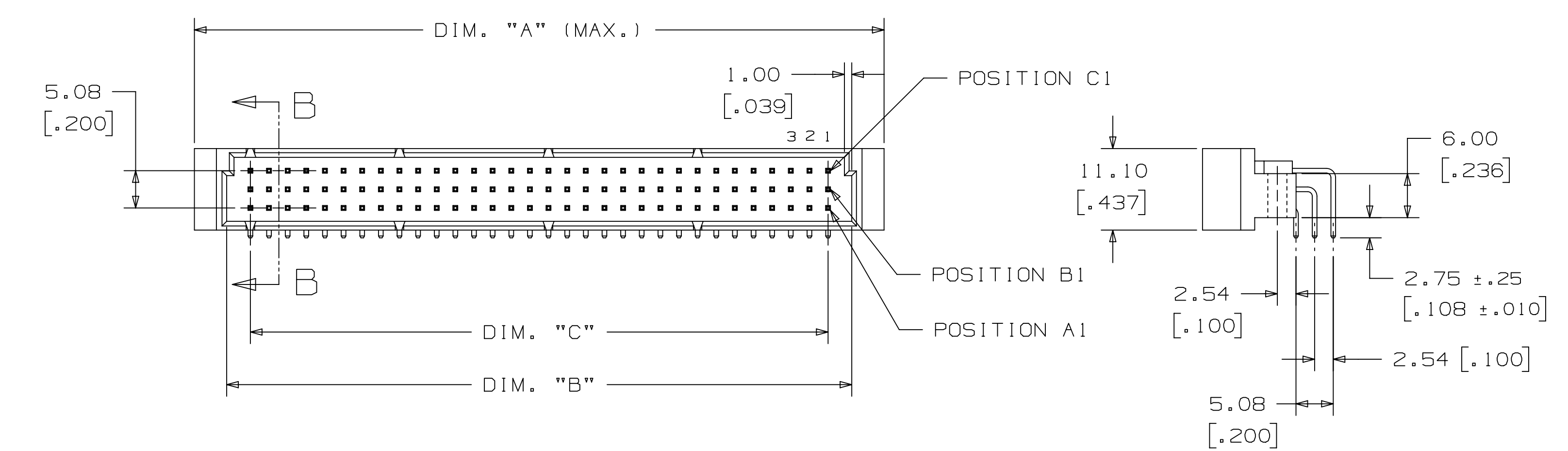
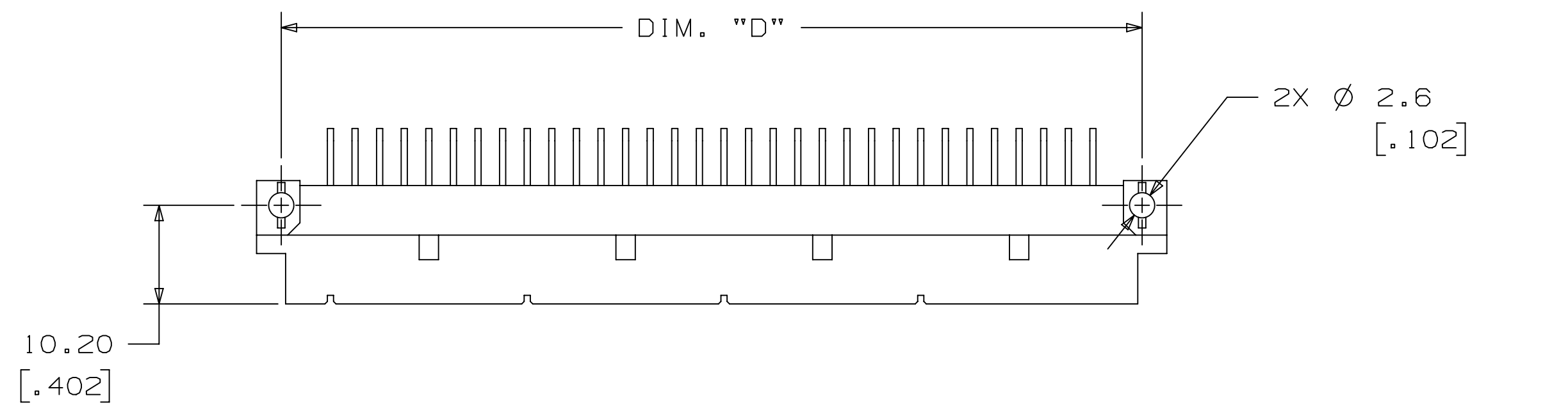


TABLE 1						
CONTACT QTY.	PART NUMBER	DIM. "A"	DIM. "B"	DIM. "C"	DIM. "D"	CONTACT QTY.
16	DIN-016CPA-XXX-XXXX	54.40 [2.142]	44.56 [1.754]	38.10 [1.500]	48.26 [1.900]	16
32	DIN-032CPB-XXX-XXXX	54.40 [2.142]	44.56 [1.754]	38.10 [1.500]	48.26 [1.900]	32
48	DIN-048CPC-XXX-XXXX	54.40 [2.142]	44.56 [1.754]	38.10 [1.500]	48.26 [1.900]	48
32	DIN-032CPD-XXX-XXXX	54.40 [2.142]	44.56 [1.754]	38.10 [1.500]	48.26 [1.900]	32
16	DIN-016CPE-XXX-XXXX	54.40 [2.142]	44.56 [1.754]	38.10 [1.500]	48.26 [1.900]	16
32	DIN-032CPA-XXX-XXXX	94.00 [3.701]	85.20 [3.354]	78.74 [3.100]	88.90 [3.500]	32
64	DIN-064CPB-XXX-XXXX	94.00 [3.701]	85.20 [3.354]	78.74 [3.100]	88.90 [3.500]	64
96	DIN-096CPC-XXX-XXXX	94.00 [3.701]	85.20 [3.354]	78.74 [3.100]	88.90 [3.500]	96
64	DIN-064CPD-XXX-XXXX	94.00 [3.701]	85.20 [3.354]	78.74 [3.100]	88.90 [3.500]	64
32	DIN-032CPE-XXX-XXXX	94.00 [3.701]	85.20 [3.354]	78.74 [3.100]	88.90 [3.500]	32

ORDERING INFORMATION  
 C-FORM VERSION  
 DIN-XXXCPX-XXX-XX

CONTACT QUANTITY: (SEE TABLE 1)  
 PLATING:  
 KR = 30-40µ" GOLD ON CONTACT AREA  
 120-200µ" MATTE TIN ON TERMINAL  
 HM = 3µ" GOLD ON CONTACT AREA, 7µ" MIN. PdNi  
 120-200µ" MATTE TIN ON TERMINAL

TERMINATION OPTIONS:  
 SOLDER TAIL TERMINATION  
 SR1 = .275 [.108]  
 RRIL = 2.75 [.108] WITH 'B' RETENTION CLIP  
 RRI = 2.75 [.108] WITH 'A' RETENTION CLIP

NOTE:  
 1) A AND E OPTIONS ARE CURRENTLY NOT COVERED IN UL FILE NO. E68080.  
 2) EARLY MATE LATE BREAK (EMLB) OPTIONS AVAILABLE.  
 3) MATES WITH C-FORM AND R-FORM SOCKETS.

THIS DIAGRAM SERVES ONLY FOR PART NUMBER DESCRIPTIVE DEFINITIONS.  
 PLEASE CONTACT YOUR LOCAL SALES REPRESENTATIVE FOR CUSTOMER SPECIFIC  
 PRODUCT CONFIGURATIONS.

REV	ECO	ISSUE DATE AND DESCRIPTION	DRFT	CHKD
97226		MAY 25, 2021 REVISED INSULATION RESISTANCE	JNC	SAN
73823		MAY 30, 2017 REMOVE PLATING SH & FJ	JNC	WL
72454		FEB 24, 2017 PRODUCTION RELEASE	JNC	WL
DRFT	CASTIGLIONE	DATE FEB 20, 2017	MFG	DATE
CHKD		DATE	APPLY	DATE FEB 20, 2017
W. LEE				

DESIGN REFERENCE NEXT ASSEMBLY

DO NOT SCALE DRAWING

THIRD ANGLE PROJECTION

MAX. SURFACE ROUGHNESS

SCALE 2/1

TOLERANCES EXCEPT AS NOTED

INCHES

MILLIMETERS

MARKED ONLY

3M Center St. Paul, MN 55144

© 3M COPYRIGHT 2021

This document and the information it contains are 3M property and may not be reproduced or further distributed without 3M permission, or used or disclosed other than for 3M authorized purposes. All rights reserved.

TITLE: DIN C & R-FORM PLUG, RA, VERT, SOLDER TAIL OR PRESS-FIT

CAGE NUMBER: D78-5100-2671-5

REV. C

MODEL

DET

YES NO SHT 4 OF 5