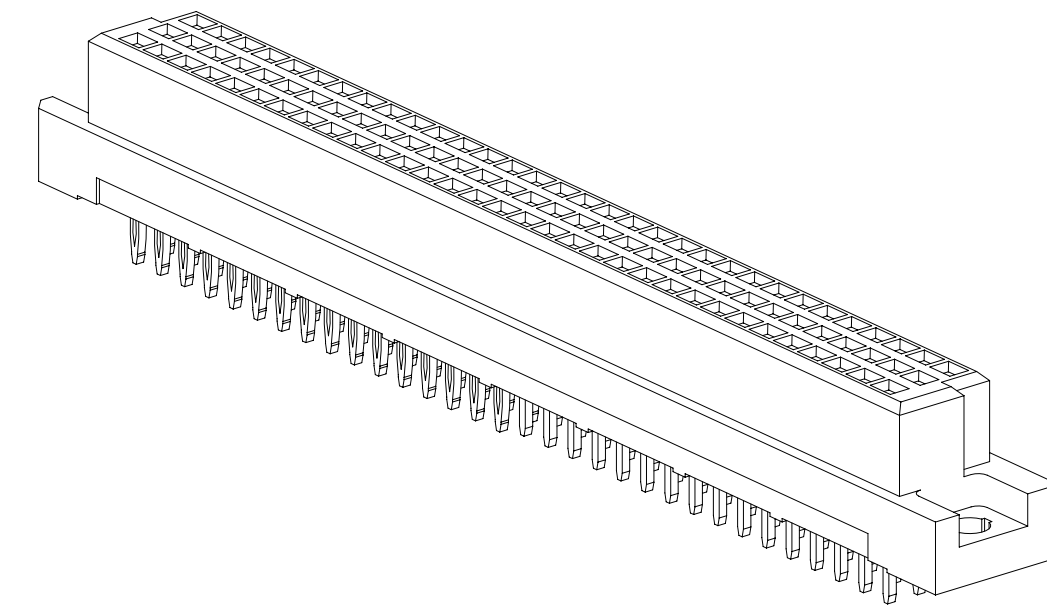
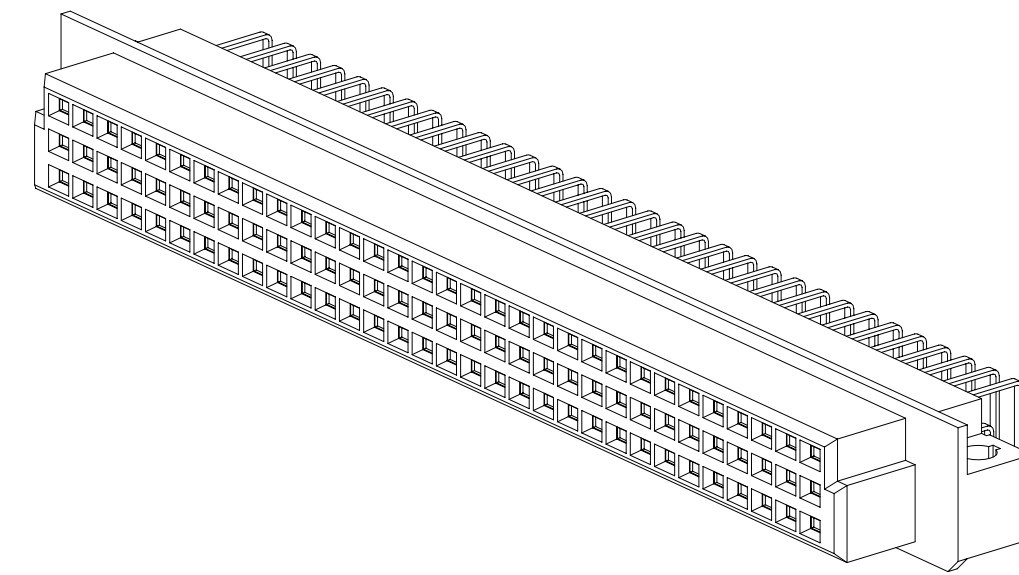


3M™ DIN C-FORM & R-FORM SOCKET, DIN 41612 SERIES

VERTICAL, RIGHT ANGLE, SOLDER TAIL OR PRESS-FIT TERMINATION



DIN-XXXCSX-XXX
VERTICAL VERSION



DIN-XXXRSX-XXX
RIGHT ANGLE VERSION

2 PHYSICAL :

INSULATOR: GLASS FILLED POLYESTER (PBT)
 MATERIAL: UL94V-0
 FLAMMABILITY: UL94V-0
 COLOR: GRAY
 CONTACT: COPPER ALLOY
 MATERIAL: COPPER ALLOY
 PLATING: 50μ" MIN. NICKEL
 UNDER PLATING: SEE ORDERING INFORMATION
 WIPING AREA: SEE ORDERING INFORMATION
 TERMINATION AREA: SEE ORDERING INFORMATION

2 ELECTRICAL :

CURRENT RATING: 3.0A AT 30°C T-RISE ABOVE AMBIENT
 CONTACT RESISTANCE: ≤20mΩ
 INSULATION RESISTANCE: ≥1,000 MΩ, 100 V_{DC}
 WITHSTANDING VOLTAGE: 1,000V_{AC} FOR 1 MINUTE

2 ENVIRONMENTAL :

TEMPERATURE RATING: -55°C TO 125°C
 PROCESS TEMPERATURE RATING: MAX. INSULATOR TEMPERATURE 191°C
 (SOLDER WAVE PROCESS ONLY)

- NOTES
- REGULATORY INFORMATION:
VISIT 3M.com/regs OR CONTACT YOUR 3M REPRESENTATIVE TO FIND THE RoHS COMPLIANCE STATUS OF THE 3M PART YOU ARE INTERESTED IN.
 - IN THE EVENT OF CONFLICT BETWEEN THIS DATA AND THAT CONTAINED IN THE PRODUCT SPECIFICATION, THE PRODUCT SPECIFICATION TAKES PRECEDENT.


3M ELECTRONICS MATERIALS SOLUTIONS DIVISION
 INTERCONNECT SOLUTIONS
<http://www.3mconnectors.com>

3M IS A TRADEMARK OF 3M COMPANY.
 FOR TECHNICAL, SALES OR ORDERING
 INFORMATION CALL 800-225-5373

MM [INCH]			
TOLERANCE - UNLESS NOTED			
	X.	.X	.XX
MM	±.50	±.25	±.15
[INCH]	±.020	±.010	±.006
[] = DIM. FOR REFERENCE ONLY			


 UL FILE NO: E68080

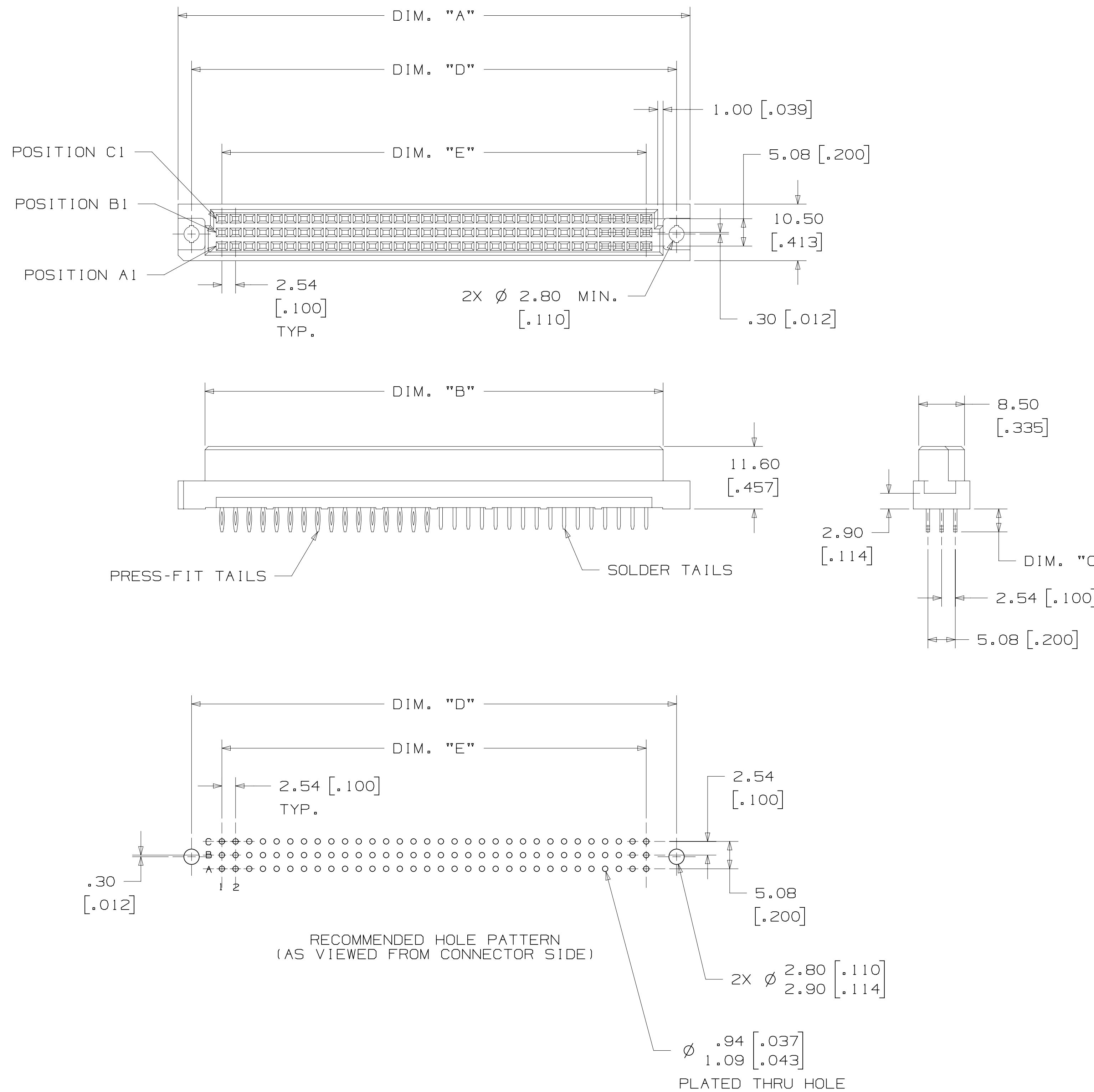
DIMENSIONS: MM [INCHES]
 [INCHES] IS REF. ONLY

DESIGN REFERENCE	NEXT ASSEMBLY	REV	ECO	ISSUE DATE AND DESCRIPTION	DRFT	CHKD
DRWG CODES		DRFT	CHKD	DATE	MFG	DATE
DIVISION	DIVISION CODE	DATE	DATE	DATE	DATE	DATE
DO NOT SCALE DRAWING	SCALE	TOLERANCES EXCEPT AS NOTED	 © 3M COPYRIGHT 2017 This document and the information it contains are 3M property and may not be reproduced or further distributed without 3M permission, or used or disclosed other than for 3M authorized purposes. All rights reserved.			
THIRD ANGLE PROJECTION	INTERPRET PER ASME Y14.5 - 2009	MILLIMETERS	TITLE DIN C & R-FORM SKT, RA, VERT, SOLDER TAIL OR PRESS-FIT			
MAX SURFACE ROUGHNESS	DTX SURFACES	INCHES	CAGE NUMBER	SIZE	DRAWING NO.	REV.
			D		78-5100-2670-7	B
			MODEL	DET	ISTS	YES X NO
						SHT 1 OF 4

78-5100-2670-7
 DRAWING NUMBER
 B
 REVISION
 A
 Standard Time5/30/2017UTC Offset

3M™ DIN C-FORM & R-FORM SOCKET, DIN 41612 SERIES

VERTICAL, RIGHT ANGLE, SOLDER TAIL OR PRESS-FIT TERMINATION



CONTACT QTY.	PART NUMBER	DIM. "A"	DIM. "B"	DIM. "D"	DIM. "E"	CONTACT QTY.
16	DIN-016CSA-XXX-XXXX	54.40 [2.142]	44.40 [1.748]	50.00 [1.969]	38.10 [1.500]	16
32	DIN-032CSB-XXX-XXXX	54.40 [2.142]	44.40 [1.748]	50.00 [1.969]	38.10 [1.500]	32
48	DIN-048CSC-XXX-XXXX	54.40 [2.142]	44.40 [1.748]	50.00 [1.969]	38.10 [1.500]	48
32	DIN-032CSD-XXX-XXXX	54.40 [2.142]	44.40 [1.748]	50.00 [1.969]	38.10 [1.500]	32
16	DIN-016CSE-XXX-XXXX	54.40 [2.142]	44.40 [1.748]	50.00 [1.969]	38.10 [1.500]	16
32	DIN-032CSA-XXX-XXXX	95.00 [3.740]	85.00 [3.346]	90.00 [3.543]	78.74 [3.100]	32
64	DIN-064CSB-XXX-XXXX	95.00 [3.740]	85.00 [3.346]	90.00 [3.543]	78.74 [3.100]	64
96	DIN-096CSC-XXX-XXXX	95.00 [3.740]	85.00 [3.346]	90.00 [3.543]	78.74 [3.100]	96
64	DIN-064CSD-XXX-XXXX	95.00 [3.740]	85.00 [3.346]	90.00 [3.543]	78.74 [3.100]	64
32	DIN-032CSE-XXX-XXXX	95.00 [3.740]	85.00 [3.346]	90.00 [3.543]	78.74 [3.100]	32

ORDERING INFORMATION C-FORM VERSION

DIN-XXXCSX-XXX-XX

CONTACT QUANTITY:
(SEE TABLE 1)

A = A ROW ONLY (SEE NOTE)
B = ROWS A & C FILLED
C = ROWS A, B & C FILLED
D = ROWS A & B FILLED
E = B ROW ONLY (SEE NOTE)

PLATING:

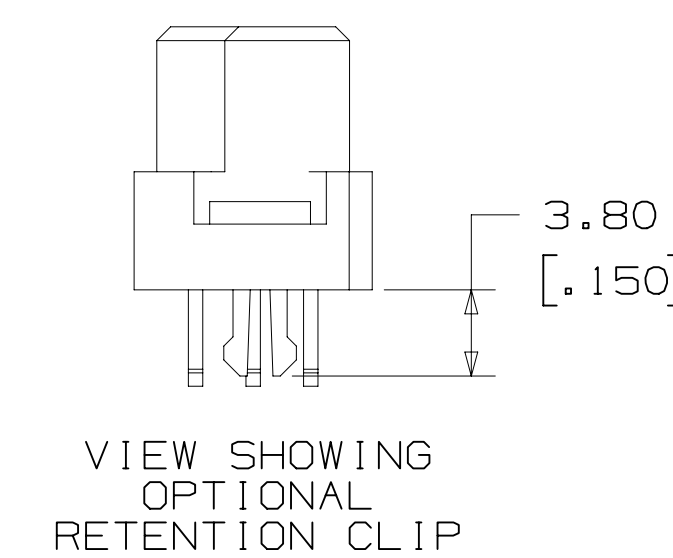
KR = 30-40 μ " GOLD ON CONTACT AREA
120-200 μ " MATTE TIN ON TERMINAL
HM = 3 μ " GOLD ON CONTACT AREA, 7 μ " MIN. PdNi
120-200 μ " MATTE TIN ON TERMINAL
KV = 30 μ " GOLD ON CONTACT AREA, 1-3 μ " GOLD ON BOARD TERMINATION

TERMINATION OPTIONS:
SEE TABLE 2

NOTE:

- 1) A AND E OPTIONS ARE CURRENTLY NOT COVERED IN UL FILE NO. E68080.
- 2) MATES WITH C-FORM AND R-FORM PLUGS.

SOLDER TERMINATION OPTION NO.	DIM. "C"	COMMENTS
R1L	3.75 [.148]	WITH RETENTION CLIP
R3L	2.29 [.090]	WITH RETENTION CLIP
S1L	3.75 [.148]	NO RETENTION CLIP
S3L	2.29 [.090]	NO RETENTION CLIP
W	14.70 [.579]	NO RETENTION CLIP
PRESS-FIT TERMINATION OPTION NO.	DIM. "C"	COMMENTS
PS	5.99 [.236]	
PSL	4.25 [.167]	
PW1	12.90 [.508]	



REV	ECO	ISSUE DATE AND DESCRIPTION	DRFT	CHKD
B	73823	MAY 30, 2017 REMOVE PLATING SH & FJ	JNC	WL
A	72454	FEB 24, 2017 PRODUCTION RELEASE	JNC	WL
CHKD	CASTIGLIONE	DATE FEB 20, 2017	DATE	DATE
APPRV	W. LEE	DATE FEB 20, 2017	DATE	DATE

DESIGN REFERENCE	NEXT ASSEMBLY
DO NOT SCALE DRAWING	SCALE 2/1
THIRD ANGLE PROJECTION	INTERPRET PER ASME Y14.5 - 2009
MAX SURFACE ROUGHNESS	0.000 ±
MARKED ONLY	ANGLES

TITLE	DIN C & R-FORM SKT, RA, VERT, SOLDER TAIL OR PRESS-FIT
CAGE NUMBER	D 78-5100-2670-7
SIZE	B
DRAWING NO.	78-5100-2670-7
REV.	B

3M™ DIN C-FORM & R-FORM SOCKET, DIN 41612 SERIES

VERTICAL, RIGHT ANGLE, SOLDER TAIL OR PRESS-FIT TERMINATION

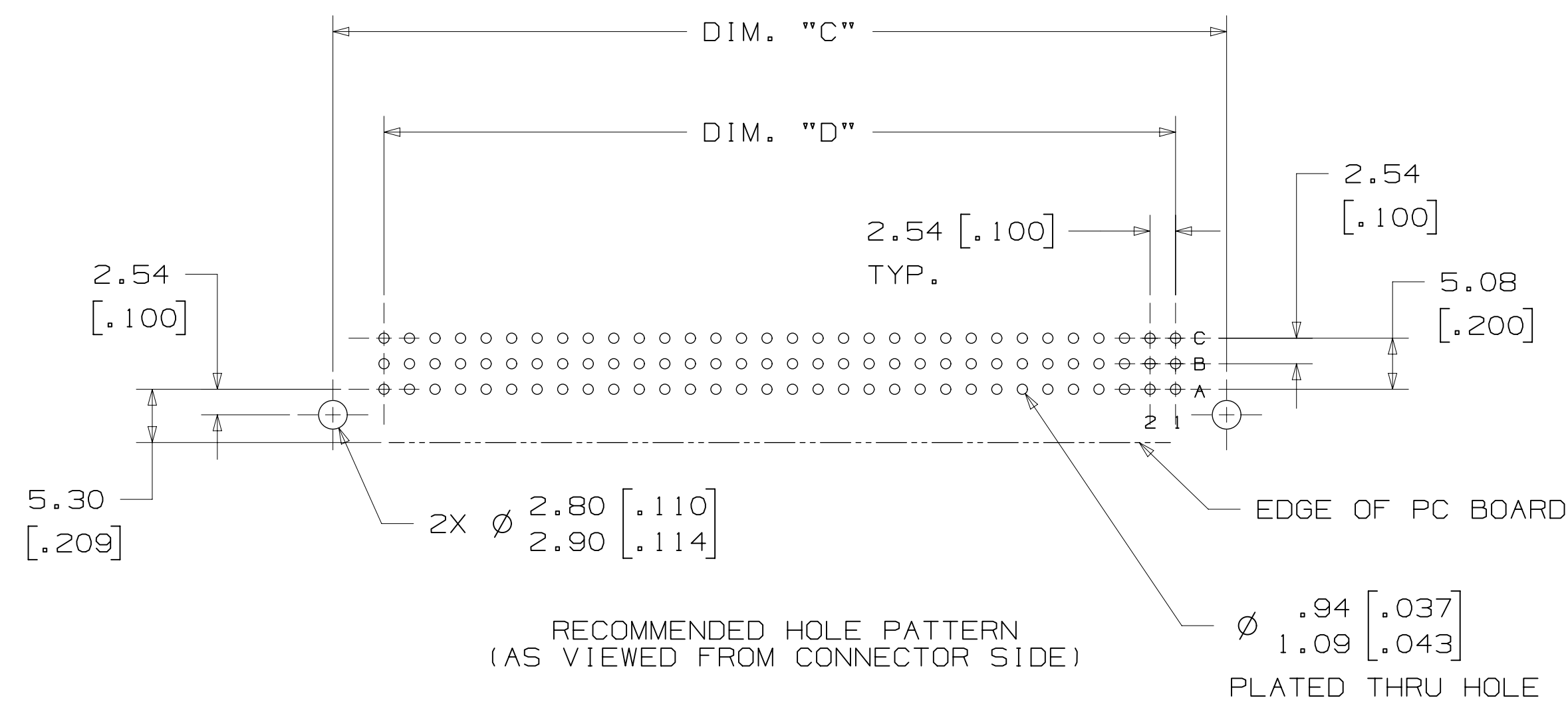
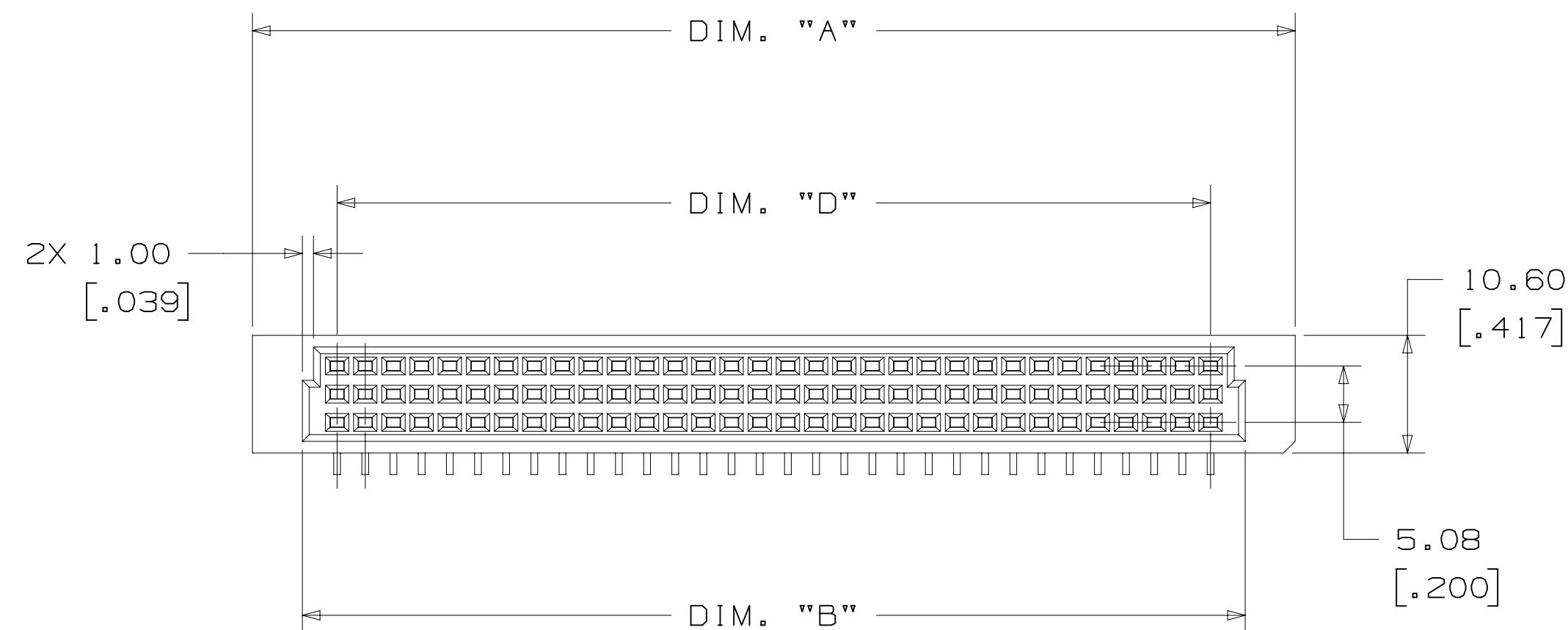
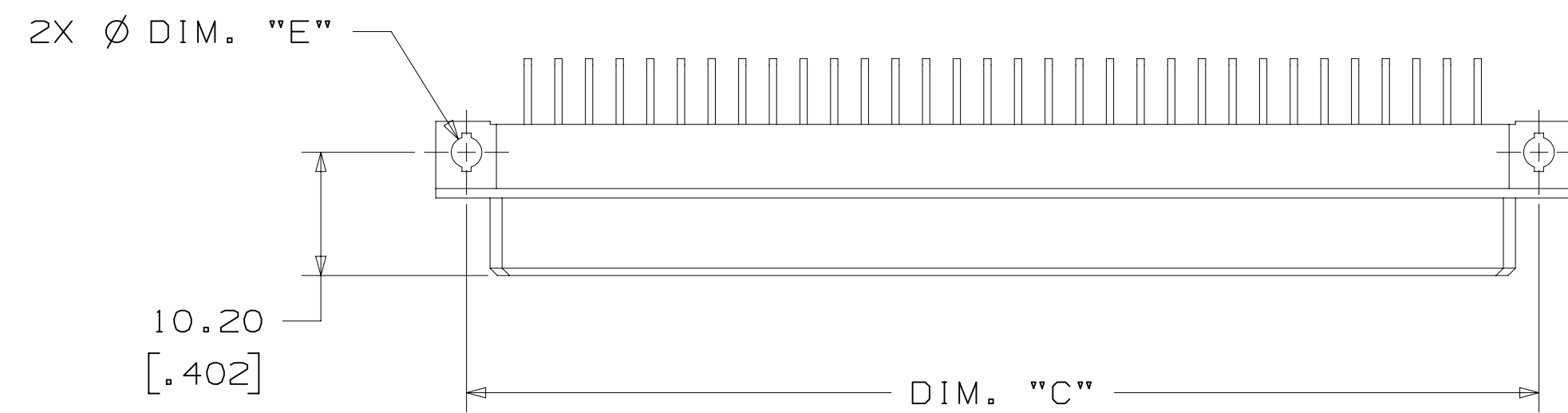
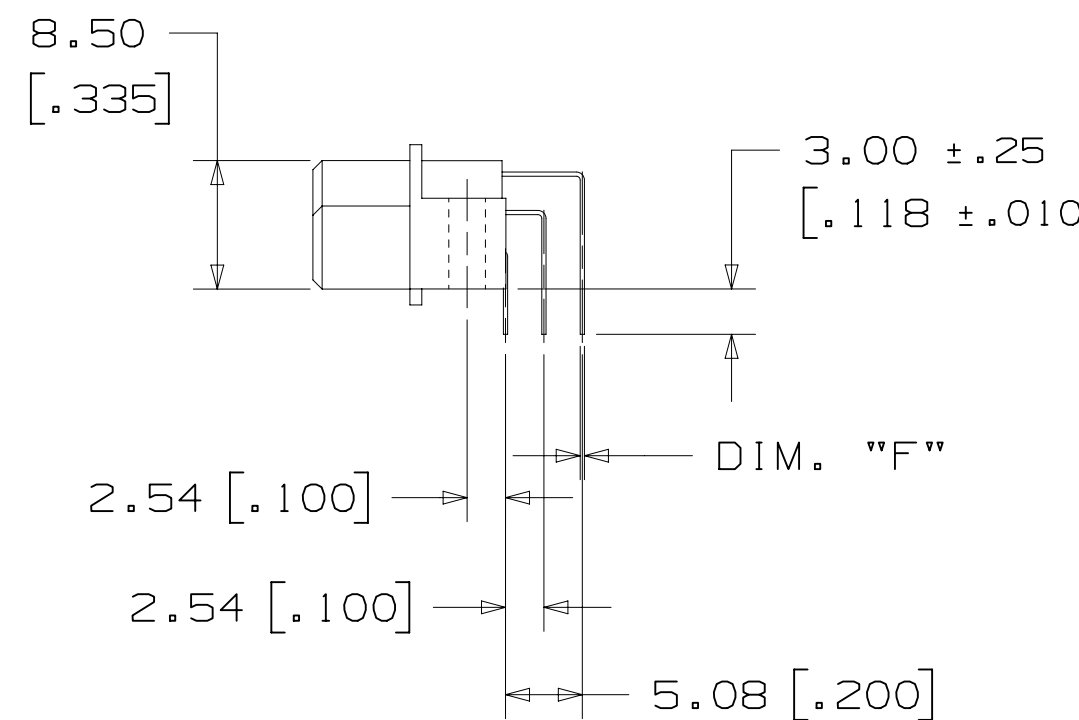


TABLE 1								
CONTACT QTY.	PART NUMBER	DIM. "A"	DIM. "B"	DIM. "C"	DIM. "D"	DIM. "E"	DIM. "F"	CONTACT QTY.
16	DIN-016RSA-XXX-XXXX	53.40 [2.102]	44.40 [1.748]	48.26 [1.900]	38.10 [1.500]	Ø2.60 [.102]	.25 [.010]	16
32	DIN-032RSB-XXX-XXXX	53.40 [2.102]	44.40 [1.748]	48.26 [1.900]	38.10 [1.500]	Ø2.60 [.102]	.25 [.010]	32
48	DIN-048RSC-XXX-XXXX	53.40 [2.102]	44.40 [1.748]	48.26 [1.900]	38.10 [1.500]	Ø2.60 [.102]	.25 [.010]	48
32	DIN-032RSD-XXX-XXXX	53.40 [2.102]	44.40 [1.748]	48.26 [1.900]	38.10 [1.500]	Ø2.60 [.102]	.25 [.010]	32
16	DIN-016RSE-XXX-XXXX	53.40 [2.102]	44.40 [1.748]	48.26 [1.900]	38.10 [1.500]	Ø2.60 [.102]	.25 [.010]	16
32	DIN-032RSA-XXX-XXXX	94.00 [3.701]	85.00 [3.346]	88.90 [3.500]	78.74 [3.100]	Ø2.60 [.102]	.25 [.010]	32
64	DIN-064RSB-XXX-XXXX	94.00 [3.701]	85.00 [3.346]	88.90 [3.500]	78.74 [3.100]	Ø2.60 [.102]	.25 [.010]	64
96	DIN-096RSC-XXX-XXXX	94.00 [3.701]	85.00 [3.346]	88.90 [3.500]	78.74 [3.100]	Ø2.60 [.102]	.25 [.010]	96
64	DIN-064RSD-XXX-XXXX	94.00 [3.701]	85.00 [3.346]	88.90 [3.500]	78.74 [3.100]	Ø2.60 [.102]	.25 [.010]	64
32	DIN-032RSE-XXX-XXXX	94.00 [3.701]	85.00 [3.346]	88.90 [3.500]	78.74 [3.100]	Ø2.60 [.102]	.25 [.010]	32
40	DIN-040RSA-XXX-XXXX	114.32 [4.501]	105.32 [4.146]	109.22 [4.300]	99.06 [3.900]	Ø2.80 [.110]	.60 [.024]	40
80	DIN-080RSB-XXX-XXXX	114.32 [4.501]	105.32 [4.146]	109.22 [4.300]	99.06 [3.900]	Ø2.80 [.110]	.60 [.024]	80
120	DIN-120RSC-XXX-XXXX	114.32 [4.501]	105.32 [4.146]	109.22 [4.300]	99.06 [3.900]	Ø2.80 [.110]	.60 [.024]	120
80	DIN-080RSD-XXX-XXXX	114.32 [4.501]	105.32 [4.146]	109.22 [4.300]	99.06 [3.900]	Ø2.80 [.110]	.60 [.024]	80
40	DIN-040RSE-XXX-XXXX	114.32 [4.501]	105.32 [4.146]	109.22 [4.300]	99.06 [3.900]	Ø2.80 [.110]	.60 [.024]	40



ORDERING INFORMATION R-FORM VERSION

DIN-XXXRSX-XXX-XX

CONTACT QUANTITY: (SEE TABLE 1)

- A = A ROW ONLY (SEE NOTE)
- B = ROWS A & C FILLED
- C = ROWS A, B & C FILLED
- D = ROWS A & B FILLED
- E = B ROW ONLY (SEE NOTE)

TERMINATION OPTIONS:

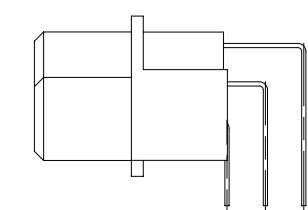
- SR1 = 3.00 [.118]
- RR1L = 3.00 [.118] WITH 'B' RETENTION CLIPS

PLATING:

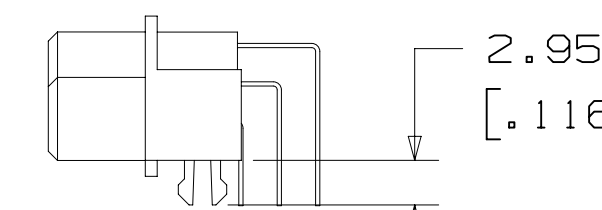
- KR = 30-40µ" GOLD ON CONTACT AREA
- 120-200µ" MATTE TIN ON TERMINAL
- HM = 3µ" GOLD ON CONTACT AREA, 7µ" MIN. PdNi
- 120-200µ" MATTE TIN ON TERMINAL

NOTE:

- 1) A AND E OPTIONS ARE CURRENTLY NOT COVERED IN UL FILE NO. E68080.
- 2) MATES WITH C-FORM AND R-FORM PLUGS.



SR1 WITHOUT OPTIONAL RETENTION CLIPS



RR1L WITH "B" OPTIONAL RETENTION CLIPS FOR .062 PCB THICKNESS

DESIGN REFERENCE	NEXT ASSEMBLY	REV	ECO	ISSUE DATE AND DESCRIPTION	DRFT	CHKD
		B	73823	MAY 30, 2017 REMOVE PLATING SH & FJ	JNC	WL
		A	72454	FEB 24, 2017 PRODUCTION RELEASE	JNC	WL
DO NOT SCALE DRAWING	SCALE 2/1	DRFT	CHKD	DATE	DATE	DATE
THIRD ANGLE PROJECTION	INTERPRET PER ASME Y14.5 - 2009	CASTIGLIONE	W. LEE	FEB 20, 2017	FEB 20, 2017	FEB 20, 2017
MAX SURFACE ROUGHNESS	MARKED ONLY	DIVISION CODE: EMSD TOLERANCES EXCEPT AS NOTED: INCHES: .00 ±, .000 ±, .0000 ± MILLIMETERS: 0 ±, .00 ±, .000 ± ANGLE: ±				
CAGE NUMBER: D78-5100-2670-7 MODEL:		TITLE: DIN C & R-FORM SKT, RA, VERT, SOLDER TAIL OR PRESS-FIT CAGE NUMBER: D78-5100-2670-7 REV: B SHEET: 3 OF 4				