

# DIO2115

## Ultra Low THD Audio Line Driver with Adjustable Gain

### Features

- Qualified power output capability
- 2Vrms output with 10KΩ load
- Ultra Low Distortion
  - SNR>100dB
  - Typical Vn<10μVrms
  - THD+N<0.001% at 2Vrms
- No Pop/Clicks Noise when Power ON/OFF
- Optimized Frequency Response between 20Hz–20kHz
- Accepting Differential Input
- Featuring external under voltage mute
- Available in TSSOP-14 and DQFN-16 package

### Descriptions

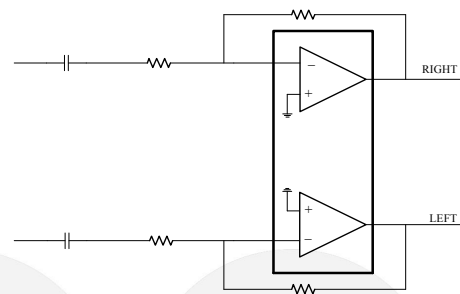
The DIO2115 is specially designed for flat panel TV, high definition DVD players and MID applications to optimize the audio driver circuit performance while reducing the BOM cost by eliminating the peripheral discrete components. DIO2115 features qualified power output capability under 32Ω load and more than 2Vrms stereo audio output swing under 10KΩ load with no need of AC coupling capacitors at output ports.

Featuring differential input mode, gain range of ±1V/V to ±10V/V can be achieved via external gain resistor setting. Meanwhile, the DIO2115 offers built-in power-on and shut-down control circuitry for optimal pop-free performance during power-ON and power-OFF conditions.

### Applications

- Flat Panel Display
- High Definition DVD Players
- MID
- STB

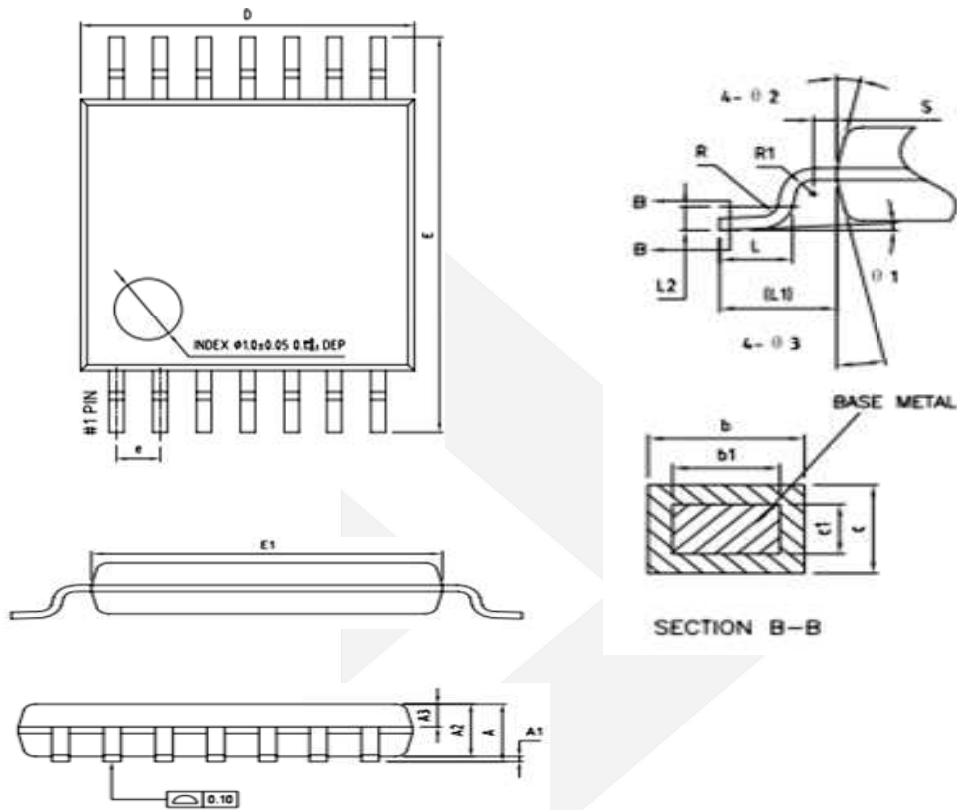
### Block Diagram



### Ordering Information

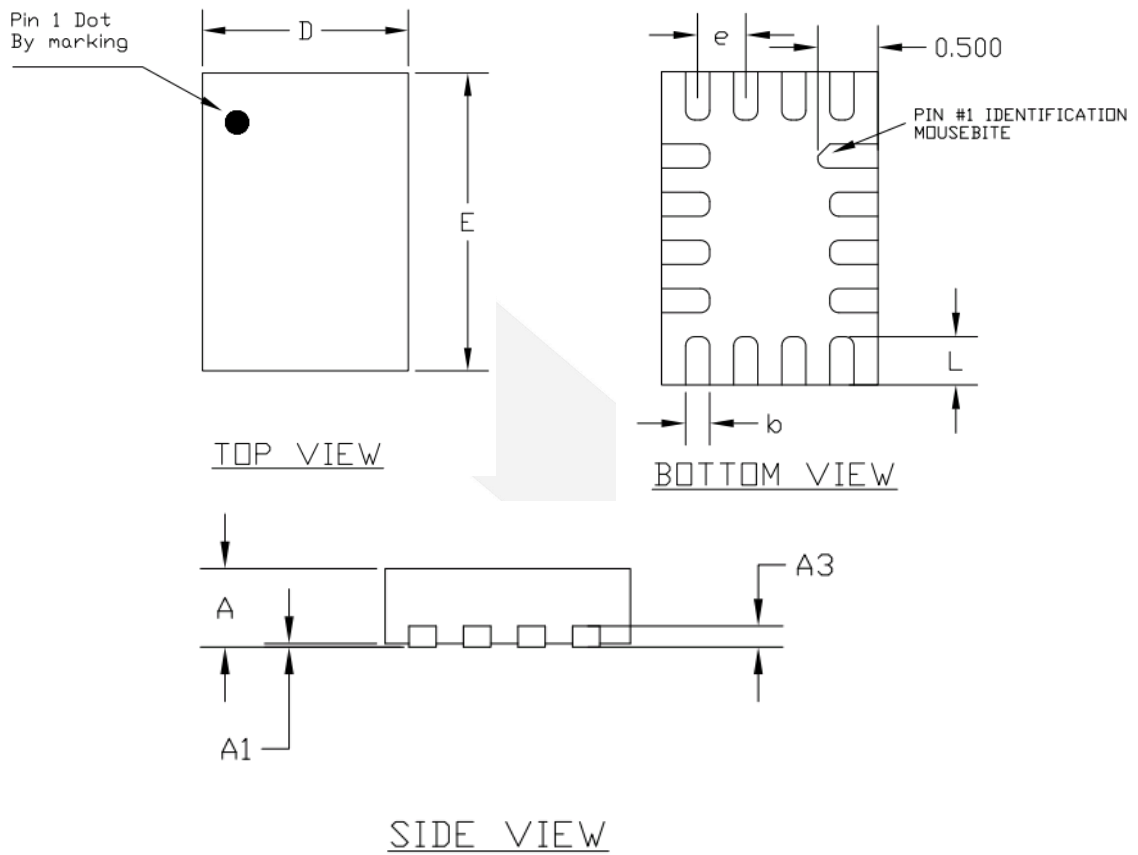
Order Part Number	Top Marking		T <sub>A</sub>	Package	
DIO2115CT14	DIO2115	Green/RoHS	-40 to +85°C	TSSOP-14	Tape & Reel, 2500
DIO2115LN16	D21	Green	-40 to +85°C	DQFN-16	Tape & Reel, 3000

## Physical Dimensions: TSSOP-14



Symbol	Dimensions In Millimeters		
	Min	Nom	Max
A	-	-	1.20
A1	0.05	-	0.15
A2	0.90	1.00	1.05
A3	0.34	0.44	0.54
b	0.20	-	0.28
b1	0.20	0.22	0.24
c	0.10	-	0.19
c1	0.10	0.13	0.15
D	4.86	4.96	5.06
E	6.20	6.40	6.60
E1	4.30	4.40	4.50
e	0.65BSC		
L	0.45	0.60	0.75
L1	1.00REF		
L2	0.25BSC		
R	0.09	-	-
R1	0.09	-	-
S	0.20	-	-
θ 1	0°	-	8°
θ 2	10°	12°	14°
θ 3	10°	12°	14°

## Physical Dimensions: DQFN-16



COMMON DIMENSIONS(MM)			
PKG.	UT: ULTRA THIN		
REF.	MIN.	NOM	MAX
A	>0.50	0.55	0.60
A1	0.00	-	0.05
A3	0.15 REF.		
D	1.75	1.80	1.85
E	2.55	2.60	2.65
L	0.35	0.40	0.45
b	0.15	0.20	0.25
e	0.40 BSC		