



DIO2543

Three-Channel, 9.5MHz, 6th-Order Standard Definition Video Filter

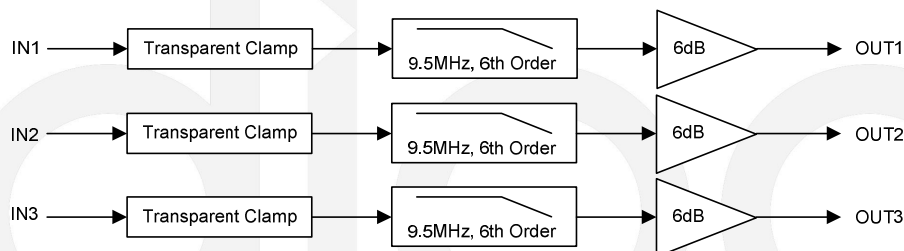
Features

- Triple 6th-order 9.5MHz SD filters
- 6dB Output Driver Gain and Drive Dual Video Load
- Transparent Input Clamping
- AC or DC Coupled Inputs
- AC or DC Coupled Outputs
- Operates from 3.135V to 5.5V
- Single Power Supply
- Low Power 24mA Typical Supply Current
- RoHS or Green SOIC-8 and MSOP-8 Package
- 8kV ESD protection

Applications

- DVD Players
- Video Amplifiers
- Cable set-top boxes
- Personal Video Recorders
- Communications Devices
- Video on Demand

Block Diagram

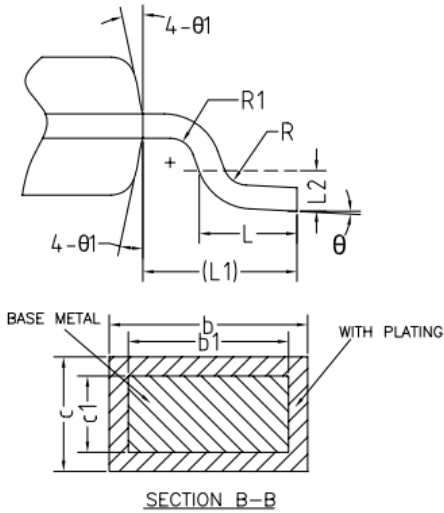
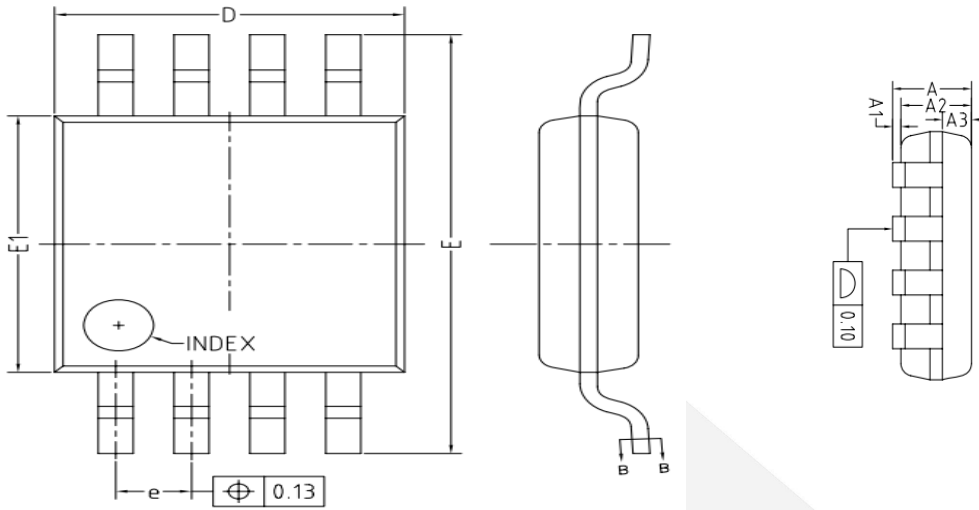


Ordering Information

Order Part Number	Top Marking		T _A	Package	
DIO2543CM8	DIO2543	RoHS/Green	-40 to +85°C	MSOP-8	Tape & Reel, 3000
DIO2543CS8	DIO2543	RoHS/Green	-40 to +85°C	SOIC-8	Tape & Reel, 2500

DIO2543

Physical Dimensions: MSOP-8

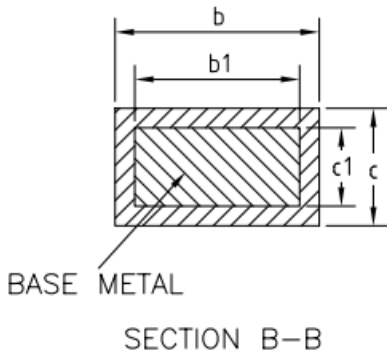
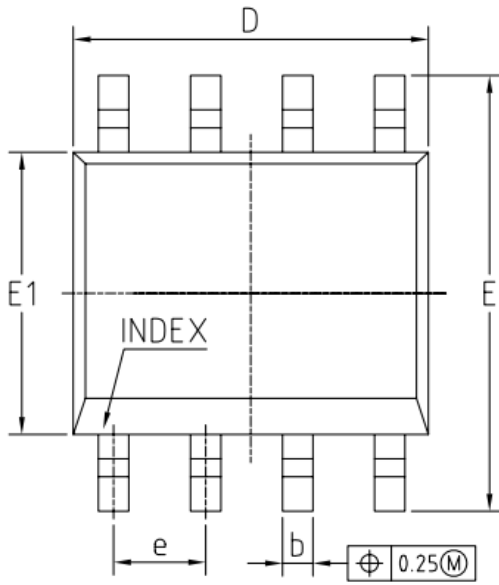
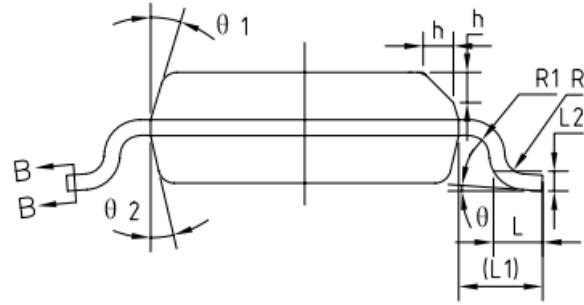
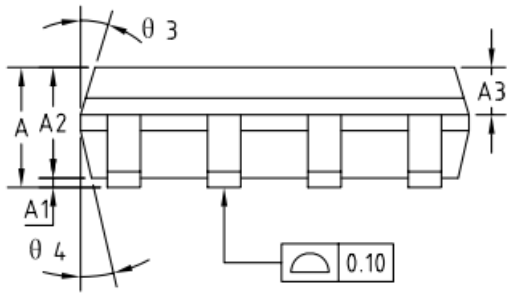


COMMON DIMENSIONS (UNITS OF MEASURE=MILLIMETER)			
Symbol	MIN	NOM	MAX
A	-	-	1.10
A1	0	-	0.15
A2	0.75	0.85	0.95
A3	0.25	0.35	0.39
b	0.28	-	0.37
b1	0.27	0.30	0.33
c	0.15	-	0.20
c1	0.14	0.15	0.16
D	2.90	3.00	3.10
E	4.70	4.90	5.10
E1	2.90	3.00	3.10
e	0.55	0.65	0.75
L	0.45	0.60	0.80
L1	0.95REF		
L2	0.25BSC		
R	0.07	-	-
R1	0.07	-	-
θ	0°	-	8°
θ1	9°	12°	15°

Three-Channel, 9.5MHz, 6th-Order Standard Definition Video Filter

DIO2543

Physical Dimensions: SOIC-8



COMMON DIMENSIONS (UNITS OF MEASURE=MILLIMETER)			
Symbol	MIN	NOM	MAX
A	1.35	1.55	1.75
A1	0.10	0.15	0.25
A2	1.25	1.40	1.65
A3	0.50	0.60	0.70
b	0.38	-	0.51
b1	0.37	0.42	0.47
c	0.17	-	0.25
c1	0.17	0.20	0.23
D	4.80	4.90	5.00
E	5.80	6.00	6.20
E1	3.80	3.90	4.00
e	1.27BSC		
L	0.45	0.60	0.80
L1	1.04REF		
L2	0.25BSC		
R	0.07	-	-
R1	0.07	-	-
h	0.30	0.40	0.50
θ	0°	-	8°
θ1	15°	17°	19°
θ2	11°	13°	15°
θ3	15°	17°	19°
θ4	11°	13°	15°

Three-Channel, 9.5MHz, 6th-Order Standard Definition Video Filter