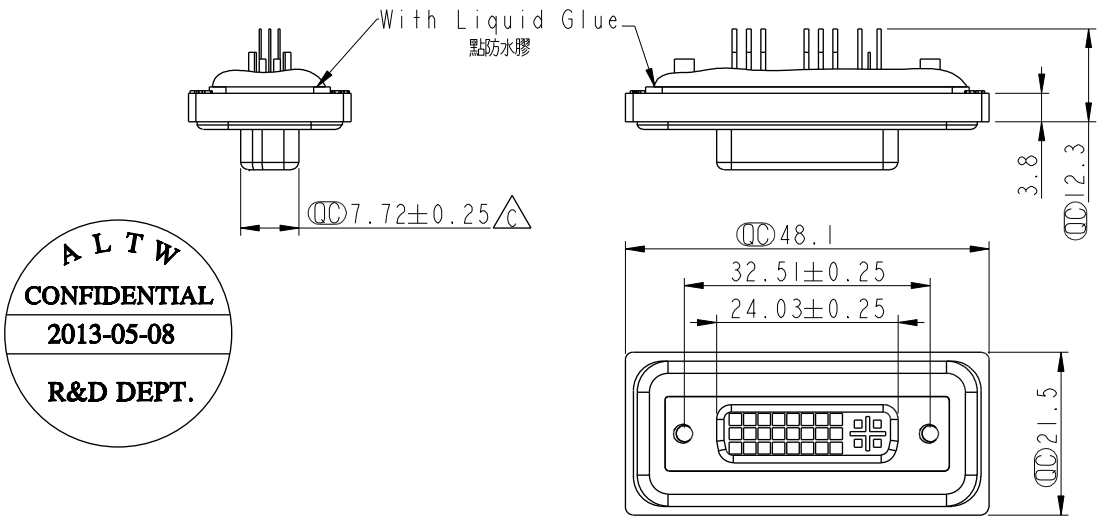
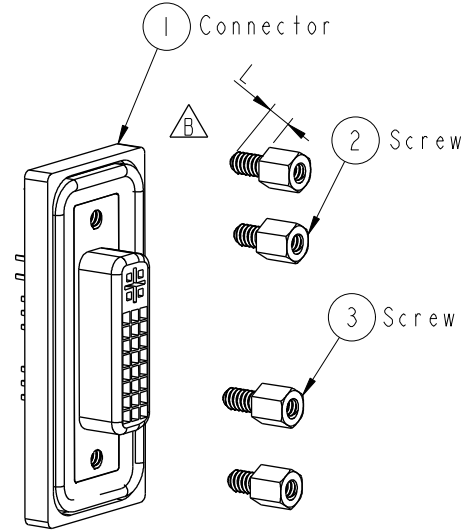


REV.	ECN NO.	DATE	SIGN	DESCRIPTION
B	LE3-710147	2006/12/13	Gao Ling	Move O-ring to ZSE00100842
C	LEN1350172	2013/05/08	Sam	Modify Dimension



ALTW
CONFIDENTIAL
 2013-05-08
R&D DEPT.



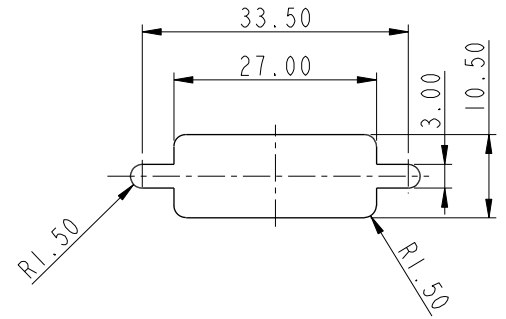
ALTW
 DCC. DEPT.
CONFIDENTIAL
 2013.05.15
ISSUED

- Note:
- * \varnothing Important Dimension.
 - * Waterproof Rate : IP68
 IP68: 1M of depth of water 24 hours
 (防水等級 : IP68)
 (IP68: 1米水深 24小時)
 - * Do Mating Test After Glued
 點膠後, 須作對插測試
 - * Add glue can't highly exceed pin
 (點膠高度不得蓋過 pin 針)
 - * DVI Conn. : Nylon66, Black Core
 - * Plastic Jacket : Nylon+GF, Black
 - * Pin : Copper Alloy, Gold Plated
 - * Ring : Light Silicone, Blue
 - * Screw : Copper Alloy, Nickel Plated, #4-40 UNC



Screw L=5.0 For Panel Thickness
 Under 1.2mm
 適用板厚為 1.2mm 以下

Screw L=6.0 For Panel Thickness
 Between 1.2~2.0mm
 適用板厚為 1.2~2.0mm



Recommended Panel Cut-Out
 建議挖孔尺寸

UNIT:mm	\varnothing	TITLE	Female DVI Connector(18+5)		
TOLERANCE		SCALE	SIZE	SHEET	OF
.X	±0.25	1:1	A4	1	1
.XX	±0.1	REV.	WC-REV.	\varnothing	Inspection item
.XXX	±0.05	C	A.2		
ANGLES	±1				

Amphenol LTW
 安費諾亮泰企業股份有限公司

ITEM NO.	DIS-23PFFS-SL8001	DRAWN BY	SamChang	DATE	2013-05-08
DWG NO.	DIS-23PFFS-SL8001	CHECKED BY	Rita	DATE	2013-05-08
CUSTOMER	ALTW	APPROVED BY	Maslow	DATE	2013-05-08

THIS DOCUMENT IS SUBJECT TO CHANGE WITHOUT NOTICE. IT IS CONFIDENTIAL AND A PROPERTY OF Amphenol LTW. DISCLOSURE TO THIRD PARTY HAS TO BE AUTHORIZED BY Amphenol LTW.