

DL04-18F1

TVS

-, 400W

Feature

- Peak pulse power:400W
- Bi-directional
- Small SMD
- Based on AEC-Q101
- Pb free terminal
- RoHS:Yes

OUTLINE

Package (House Name): 1F

Package (JEDEC Code): DO-214AC



Equivalent circuit



Absolute Maximum Ratings (unless otherwise specified : Tl=25°C)

Item	Symbol	Conditions	Ratings	Unit
Storage temperature	T _{stg}		-55 to 150	°C
Operating junction temperature	T _j		150	°C
Maximum surge reverse power	P _{RSM}	10/1000μs, Non-repetitive	400	W
Continuous (direct) reverse voltage	V _{R(DC)}		13	V

* :See the original Specifications

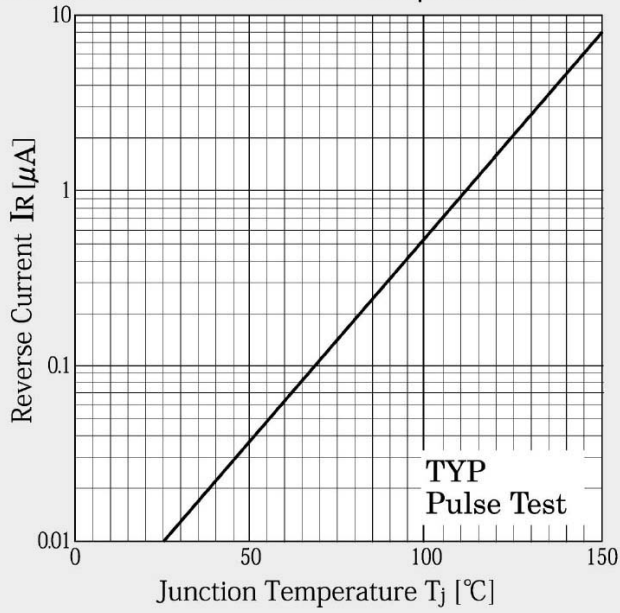
Electrical Characteristics (unless otherwise specified : Tl=25°C)

Item	Symbol	Conditions	Ratings			Unit
			MIN	TYP	MAX	
Breakdown voltage	V _{BR}	I _R =5mA	16.8		19.1	V
Reverse current	I _R	V _R =13V			5	μA

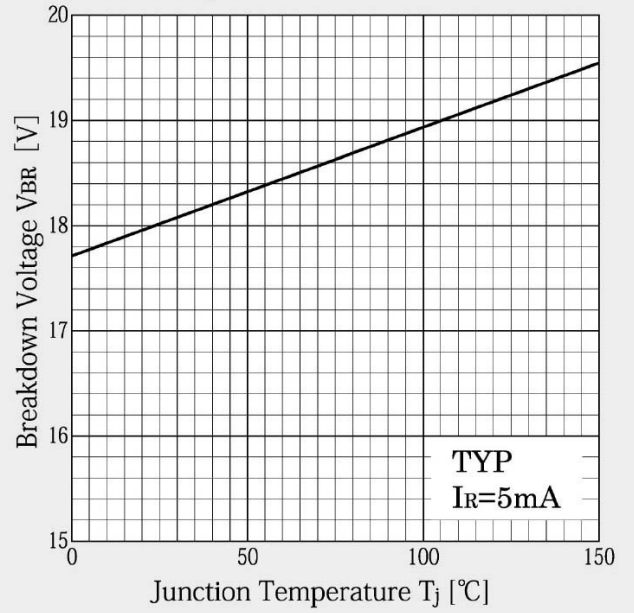
* :See the original Specifications

CHARACTERISTIC DIAGRAMS

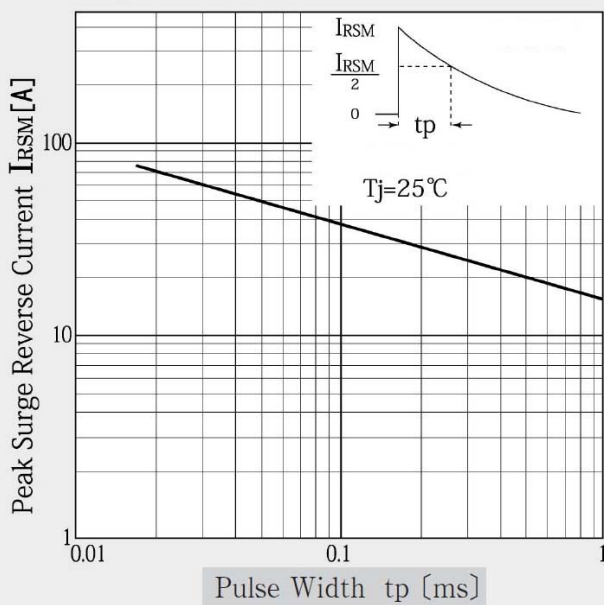
Reverse Current vs Junction Temperature



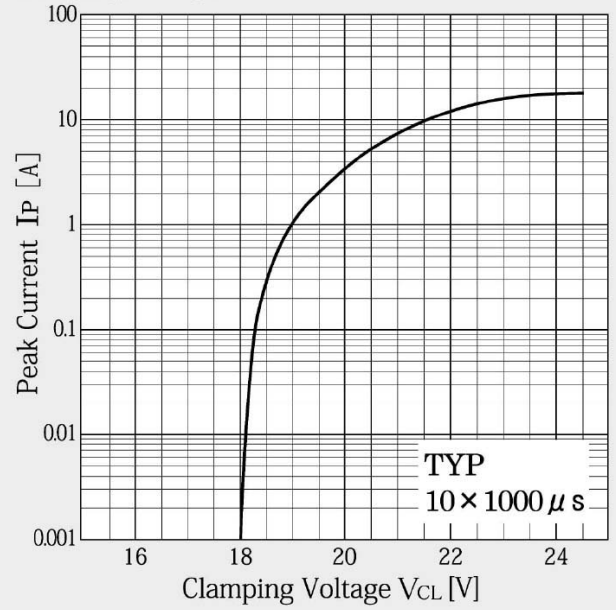
Breakdown Voltage

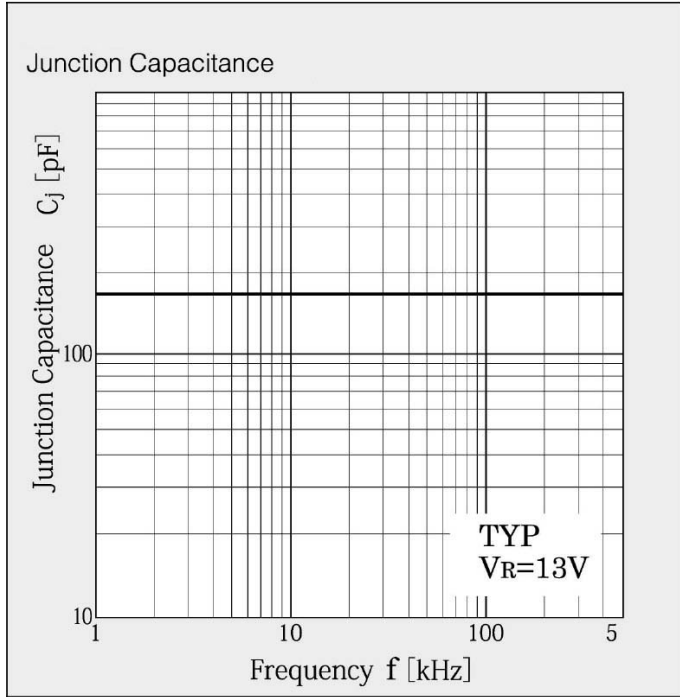
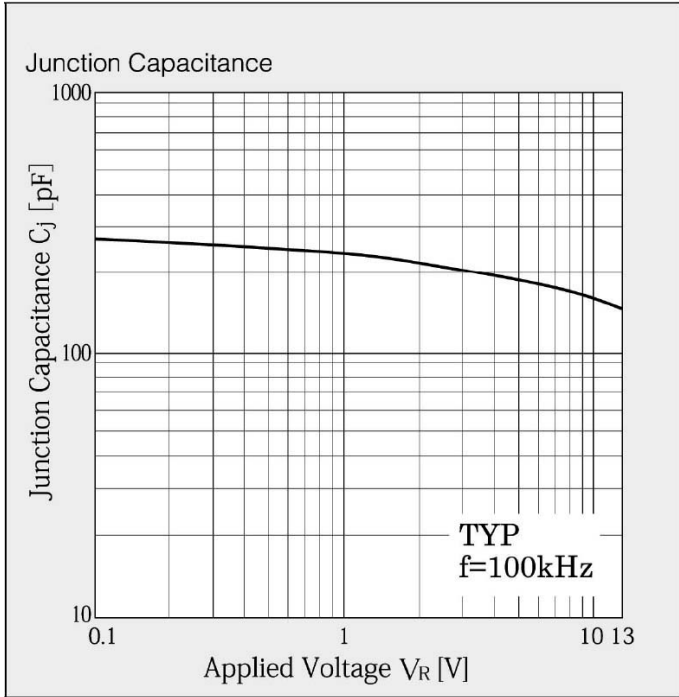


Peak Surge Reverse Current



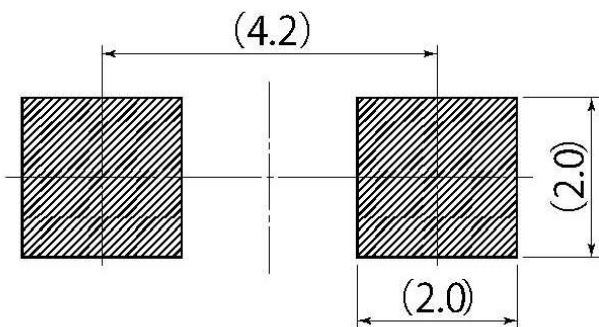
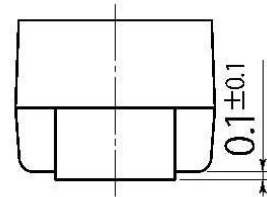
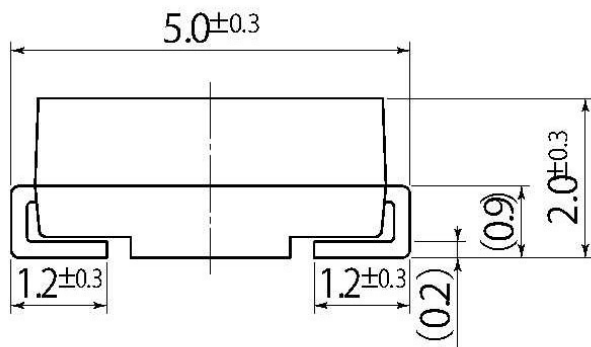
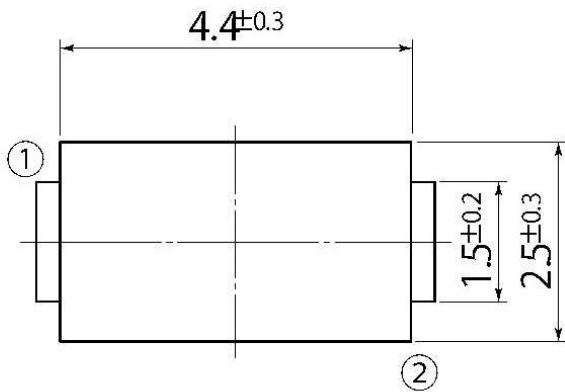
Clamping Voltage





B4

JEDEC Code	DO-214AC
JEITA Code	—
House Name	1F



Referential Soldering Pad

• Optimize soldering pad to the board design and soldering condition.