

DL04-33F1

TVS

9.5A, 400W

Feature

- Peak pulse power:400W
- Bi-directional
- Small SMD
- Based on AEC-Q101
- Pb free terminal
- RoHS:Yes

OUTLINE

Package (House Name): 1F

Package (JEDEC Code): DO-214AC



Equivalent circuit



Absolute Maximum Ratings (unless otherwise specified : Tl=25°C)

Item	Symbol	Conditions	Ratings	Unit
Storage temperature	T _{stg}		-55 to 175	°C
Operating junction temperature	T _j		-55 to 175	°C
Maximum surge reverse current	I _{RSM}	10/1000μs, Non-repetitive *	9.5	A
Maximum surge reverse power	P _{RSM}	10/1000μs, Non-repetitive *	400	W
Continuous (direct) reverse voltage	V _{R(DC)}		25	V

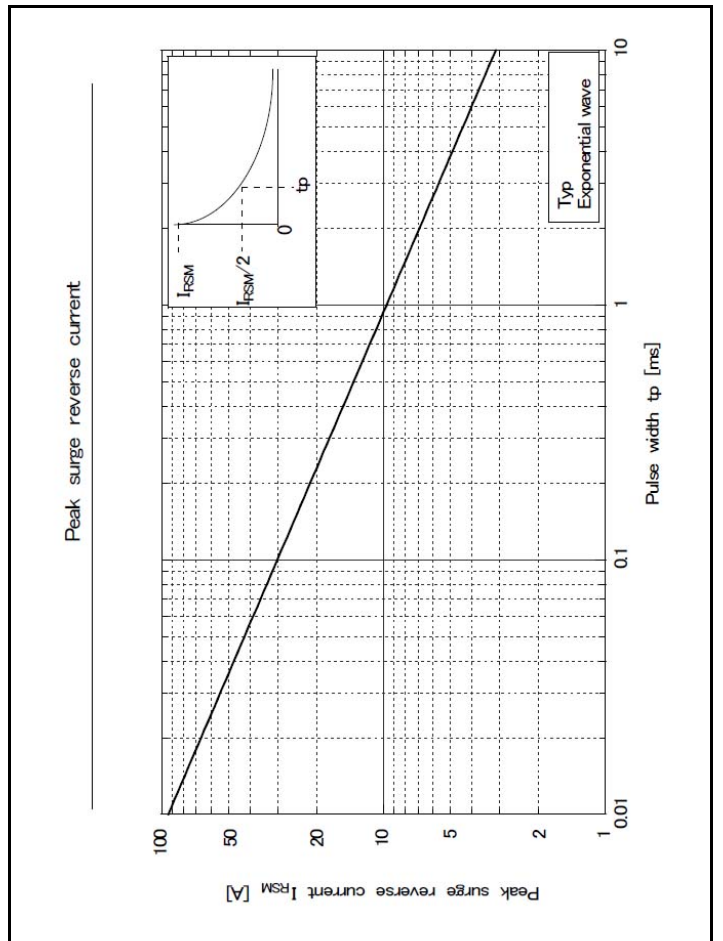
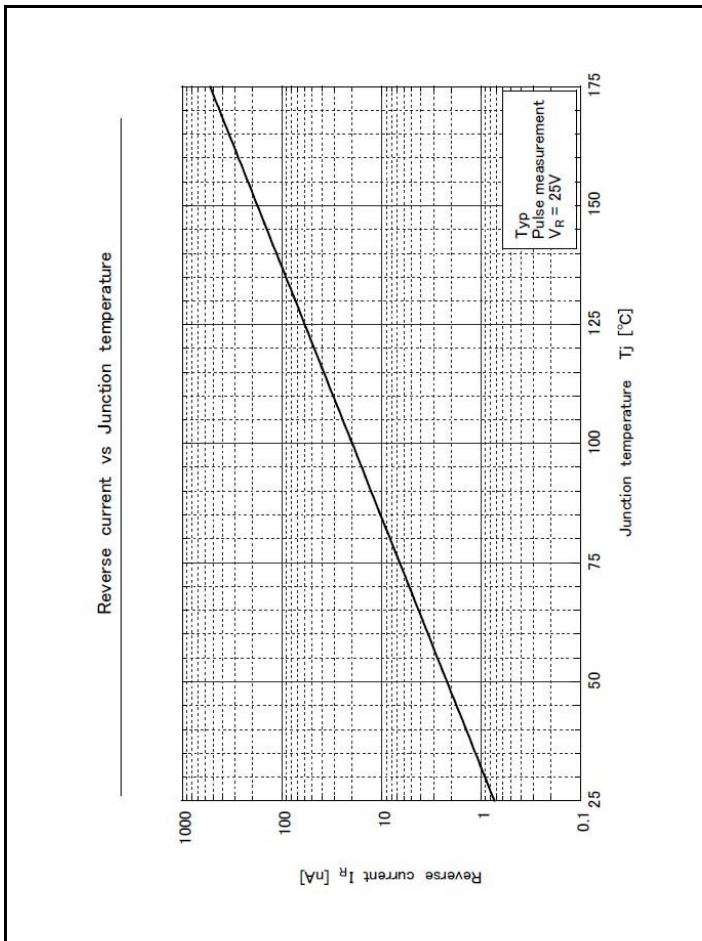
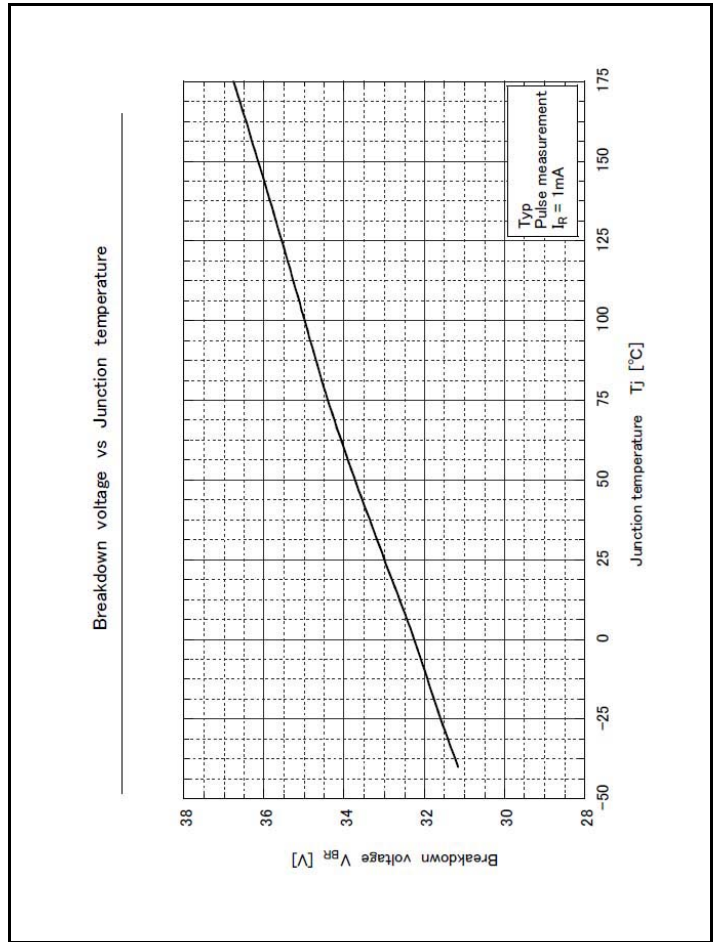
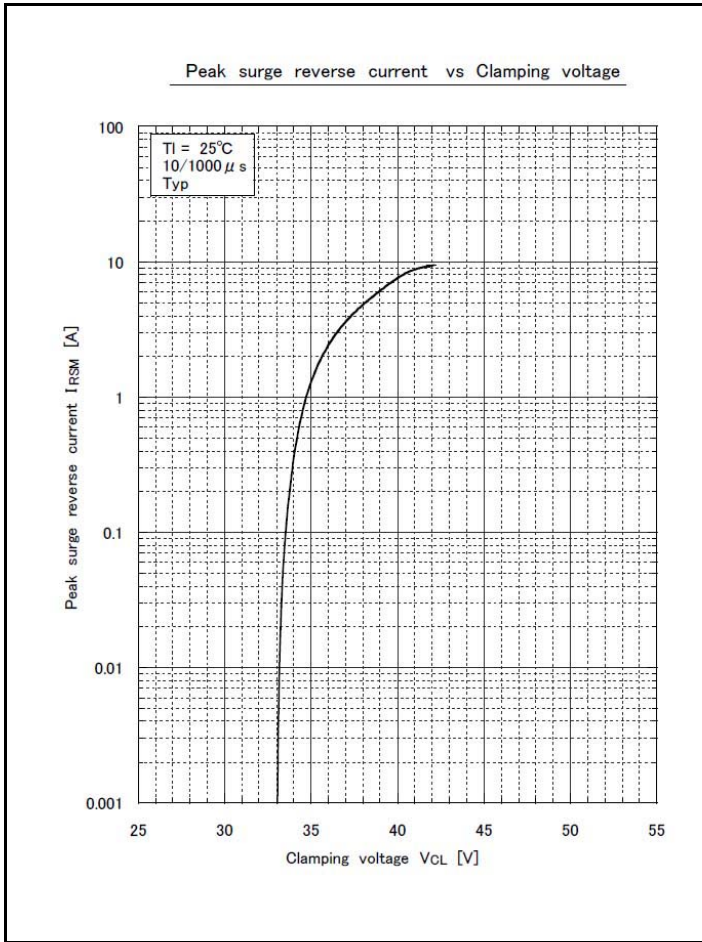
* : See the original Specifications

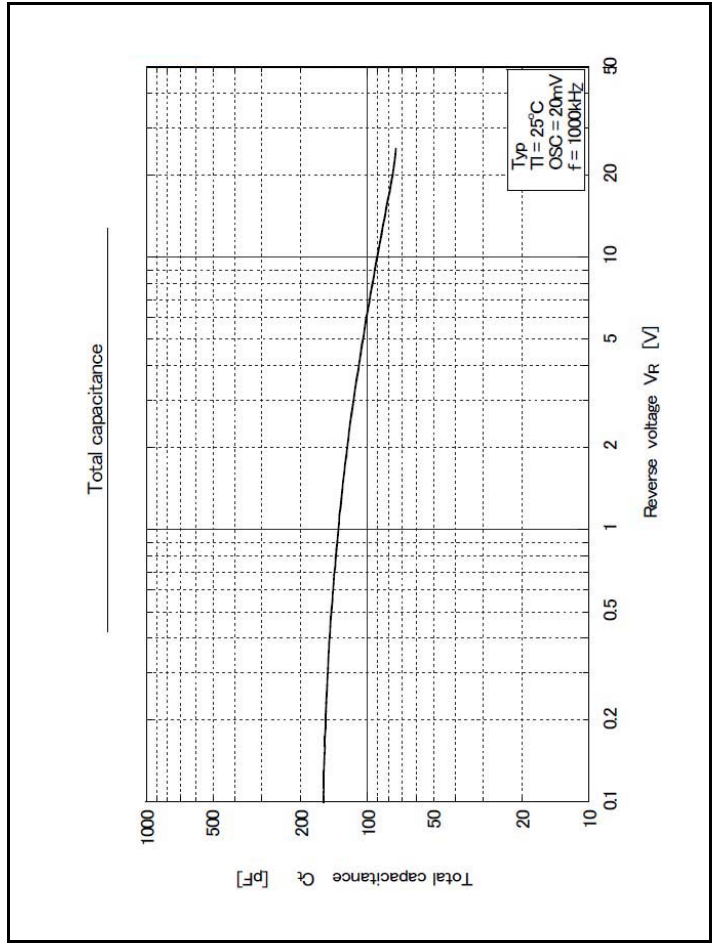
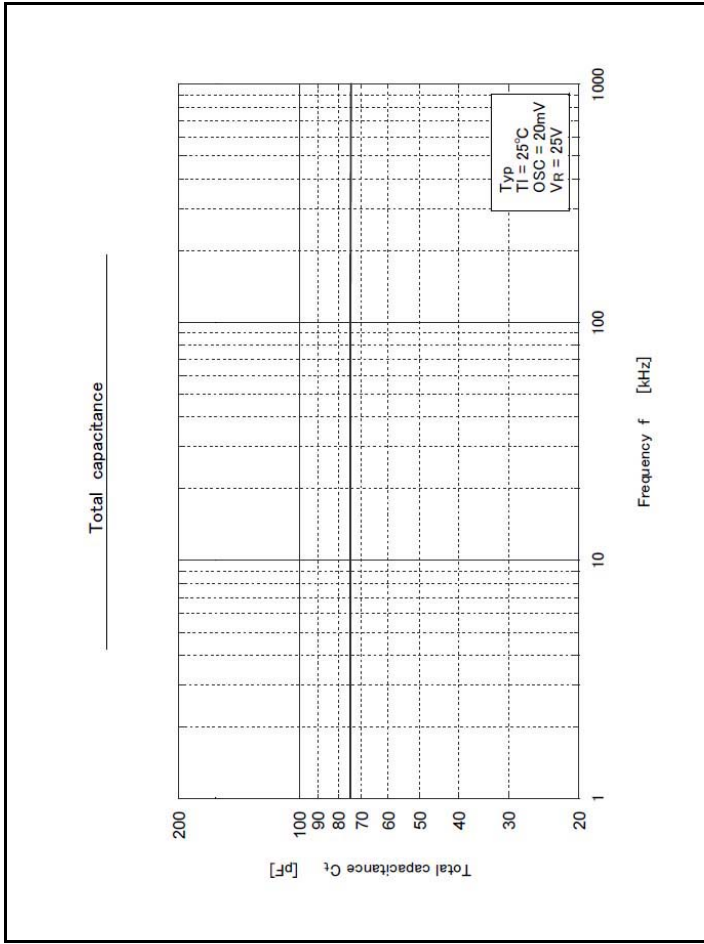
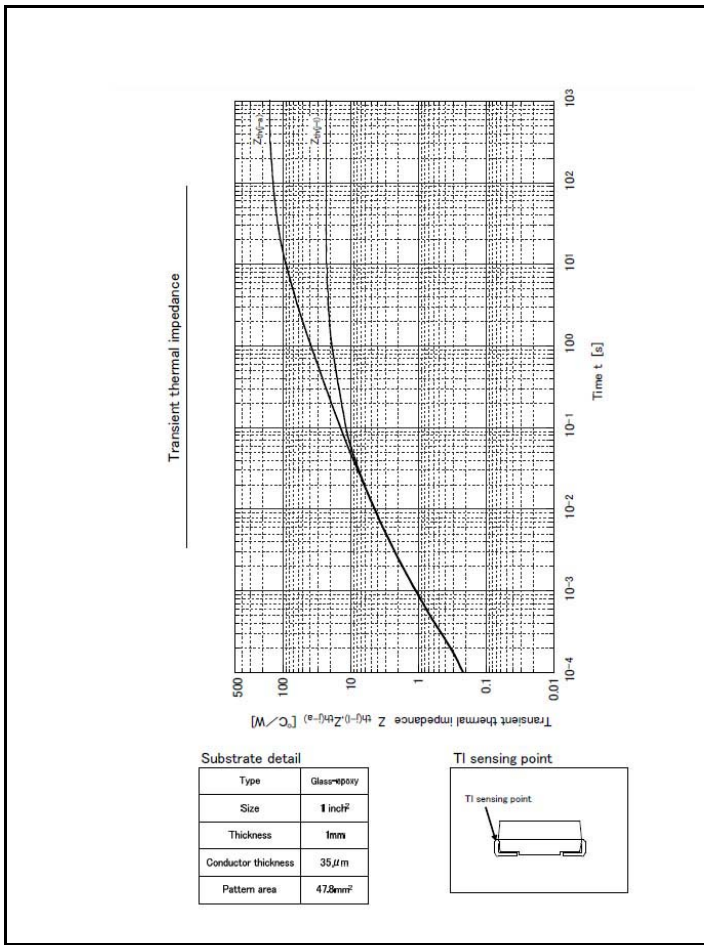
Electrical Characteristics (unless otherwise specified : Tl=25°C)

Item	Symbol	Conditions	Ratings			Unit
			MIN	TYP	MAX	
Breakdown voltage	V _{BR}	I _R =1mA, Pulse measurement	31		35	V
Reverse current	I _R	V _R =25V, Pulse measurement			5	μA
Thermal resistance	R _{th(j-l)}	Junction to lead, On glass-epoxy substrate *			23	°C/W
Thermal resistance	R _{th(j-a)}	Junction to ambient, On glass-epoxy substrate *			157	°C/W

* : See the original Specifications

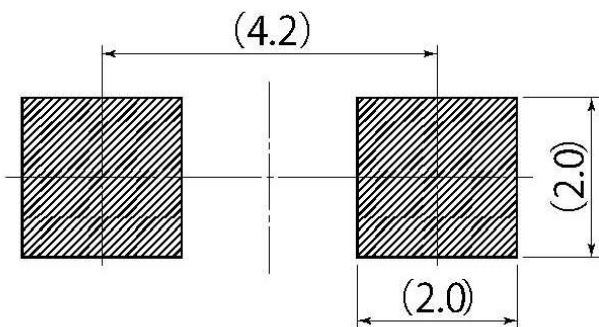
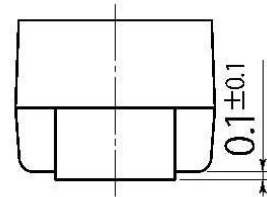
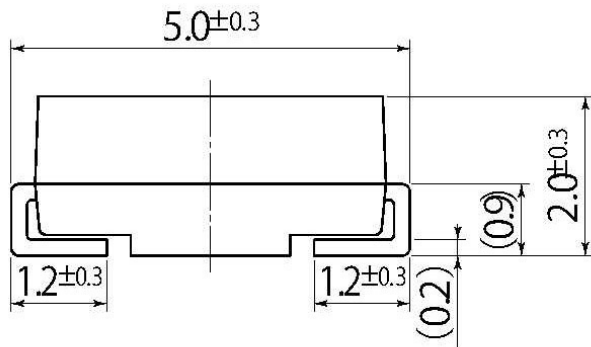
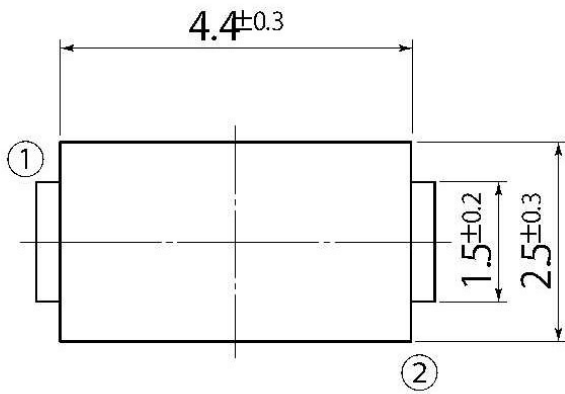
CHARACTERISTIC DIAGRAMS





B4

JEDEC Code	DO-214AC
JEITA Code	—
House Name	1F



Referential Soldering Pad

• Optimize soldering pad to the board design and soldering condition.