



PART NAME

DIN RAIL BOX

PART No.

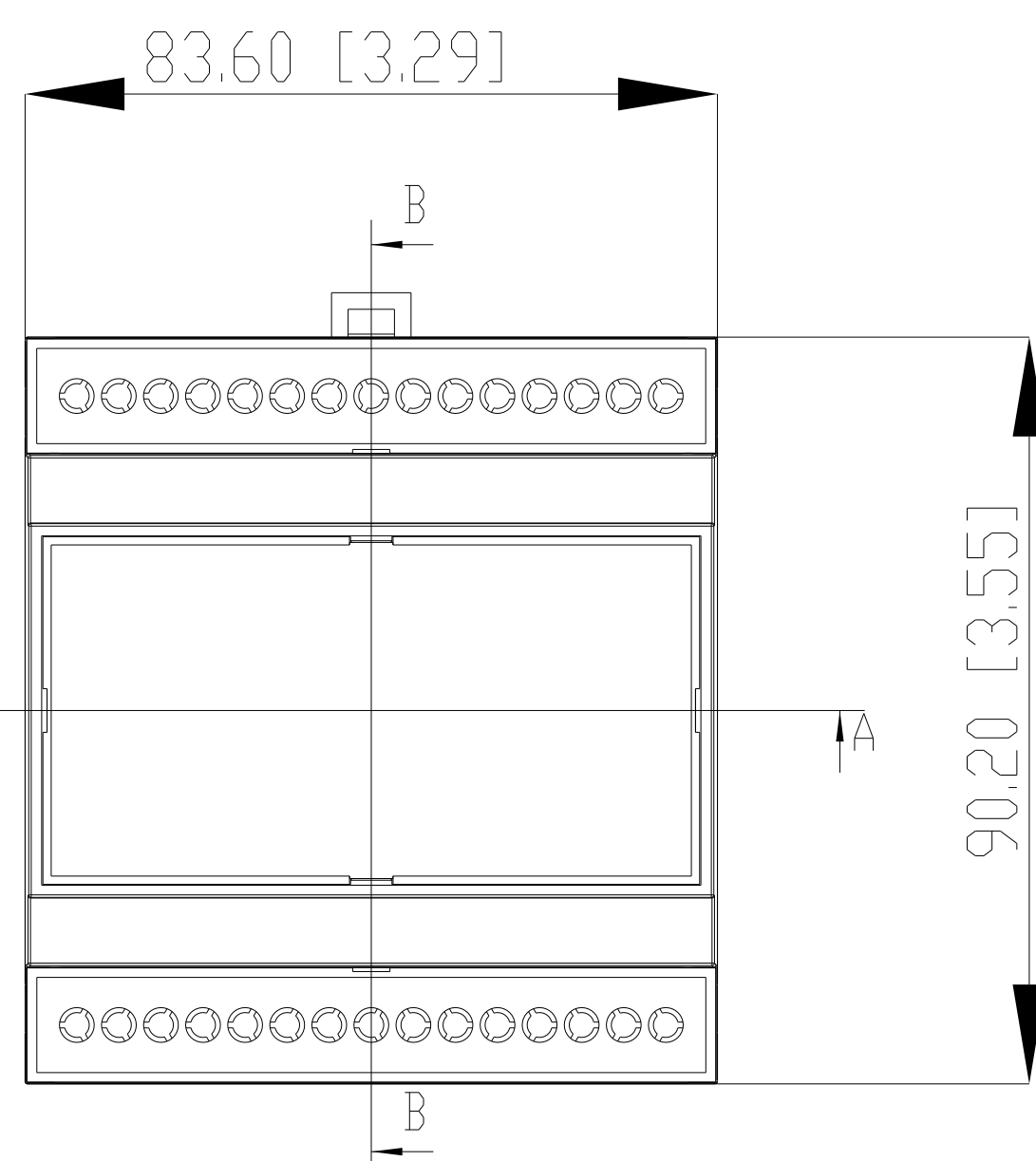
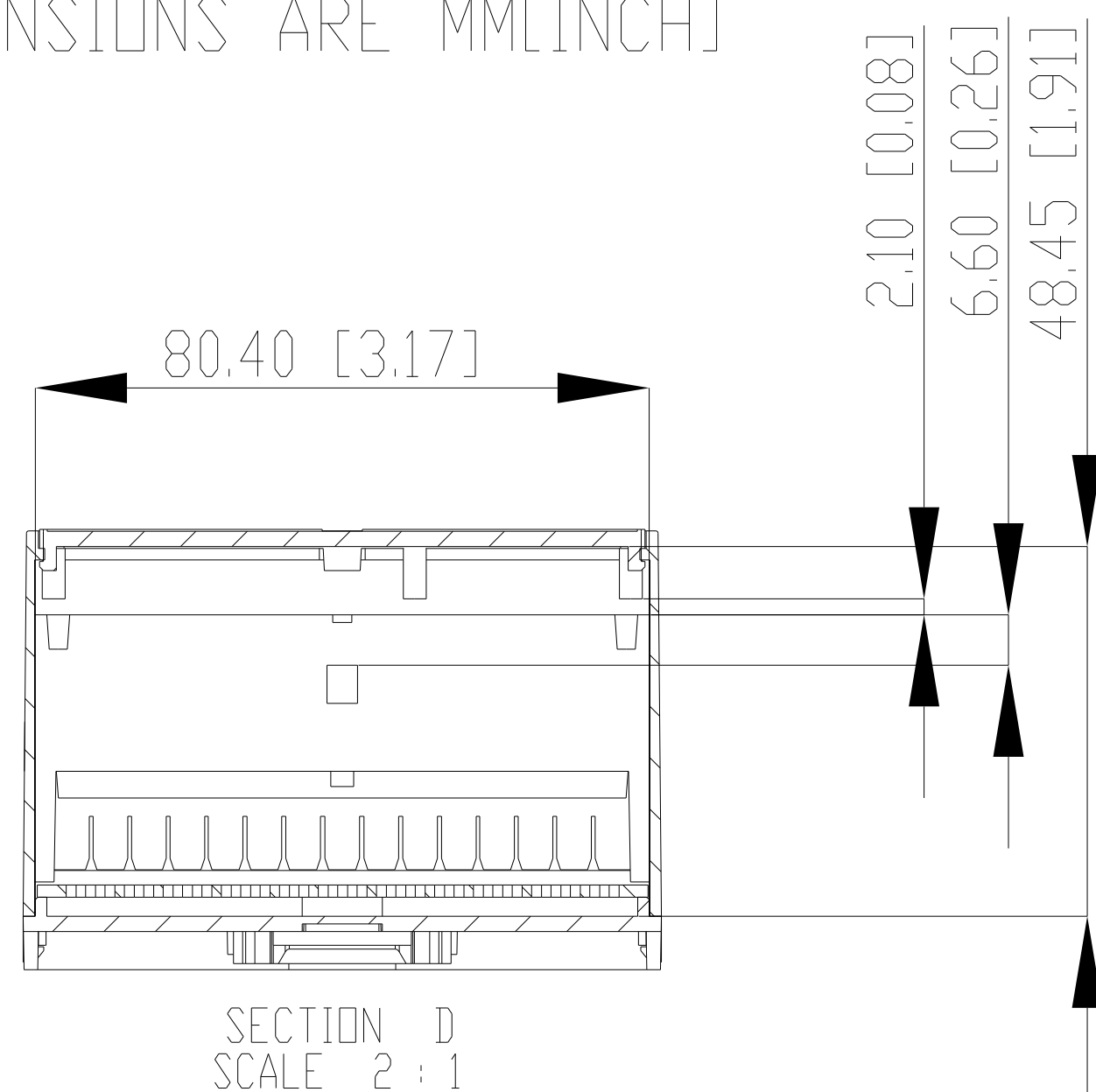
DMB-4775

REV. DATE

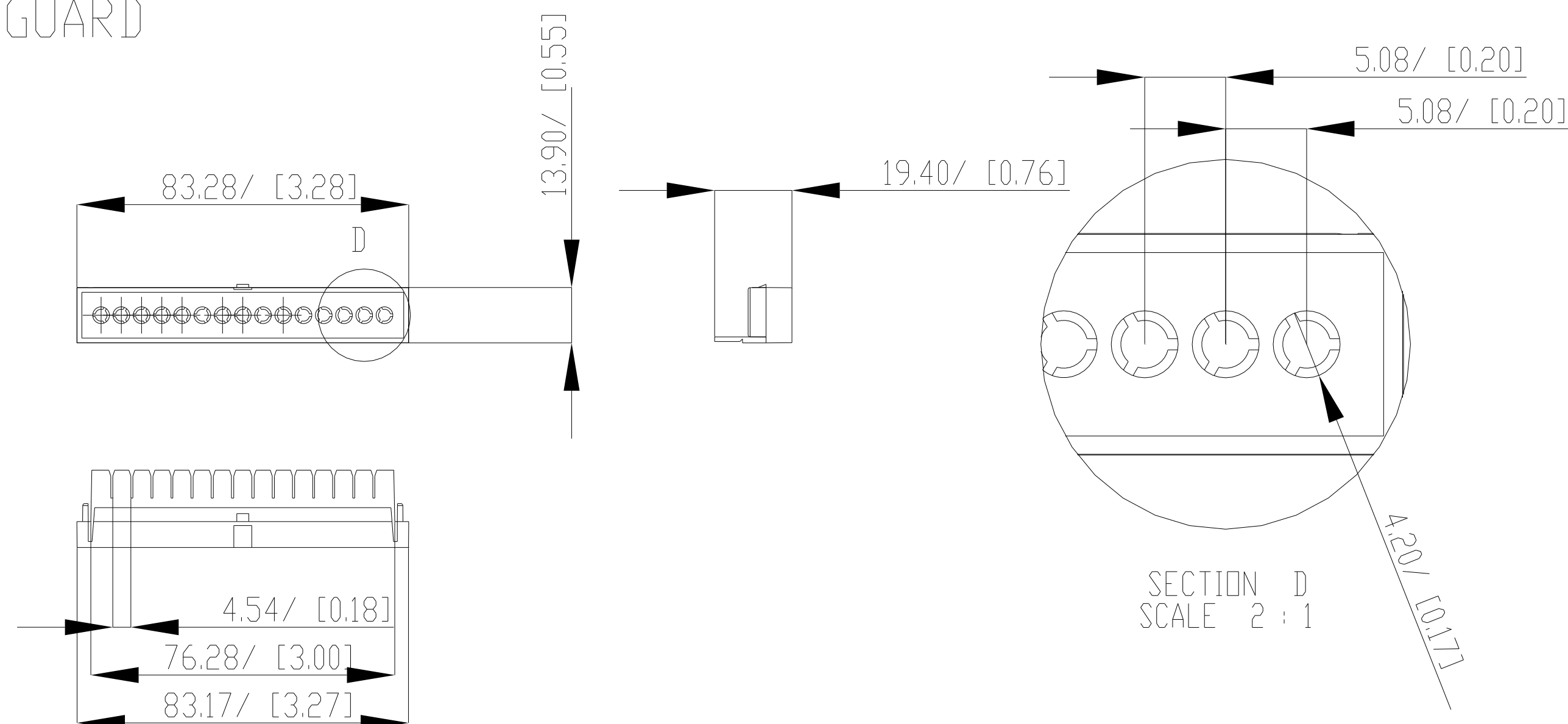
3-22-18

DRAWING FOR REFERENCE  
WE RESERVE THE RIGHT TO MAKE CHANGES TO OUR  
STANDARD PRODUCTS. PLEASE CONSULT WITH BUD INDUSTRIES  
PRIOR TO USING THIS DRAWING FOR DESIGN PURPOSES

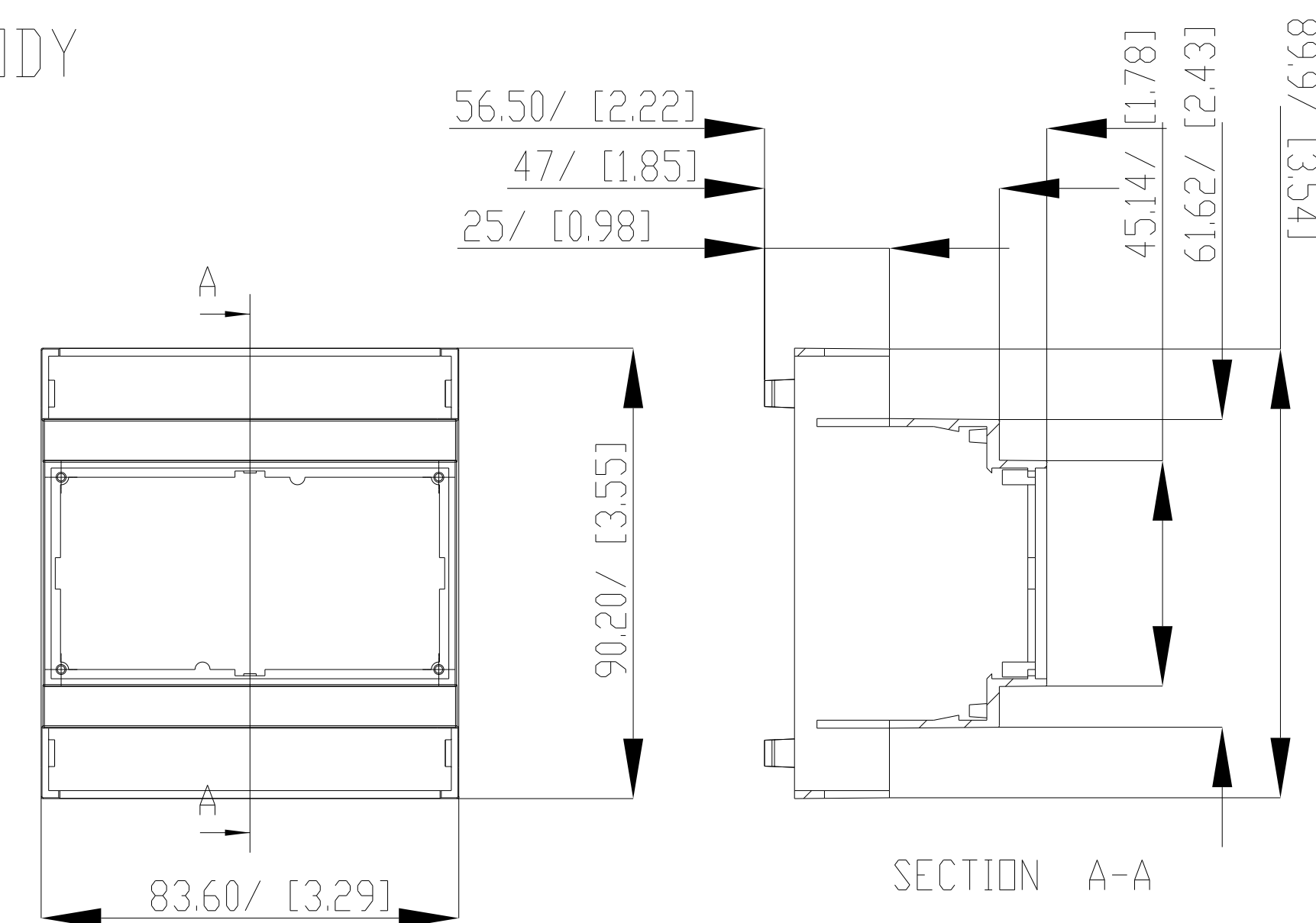
MATERIAL: BODY, BASE, COVER,  
AND GUARDS - PC/ABS  
MOUNTING CLIP - NYLON66  
DIMENSIONS ARE MM[INCH]



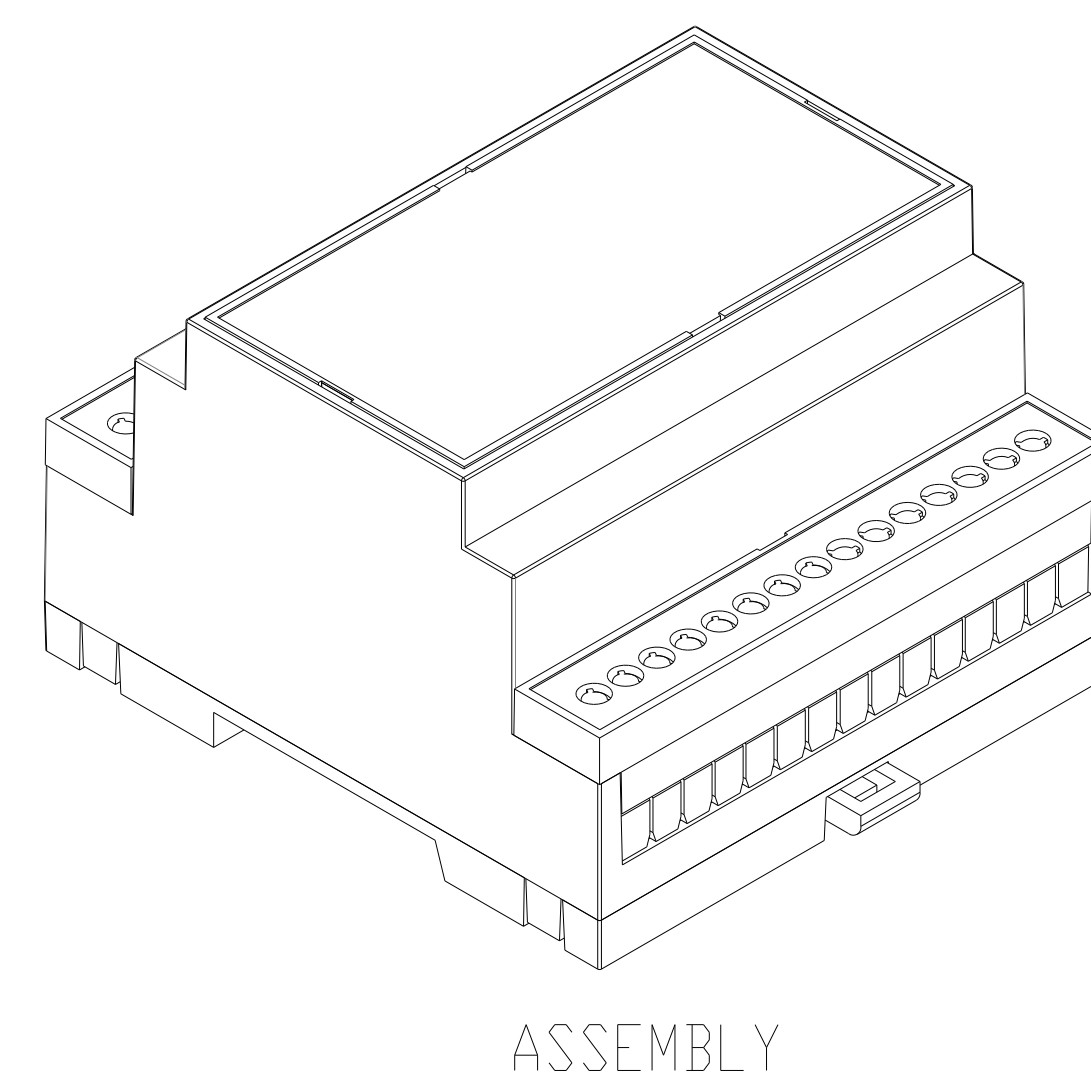
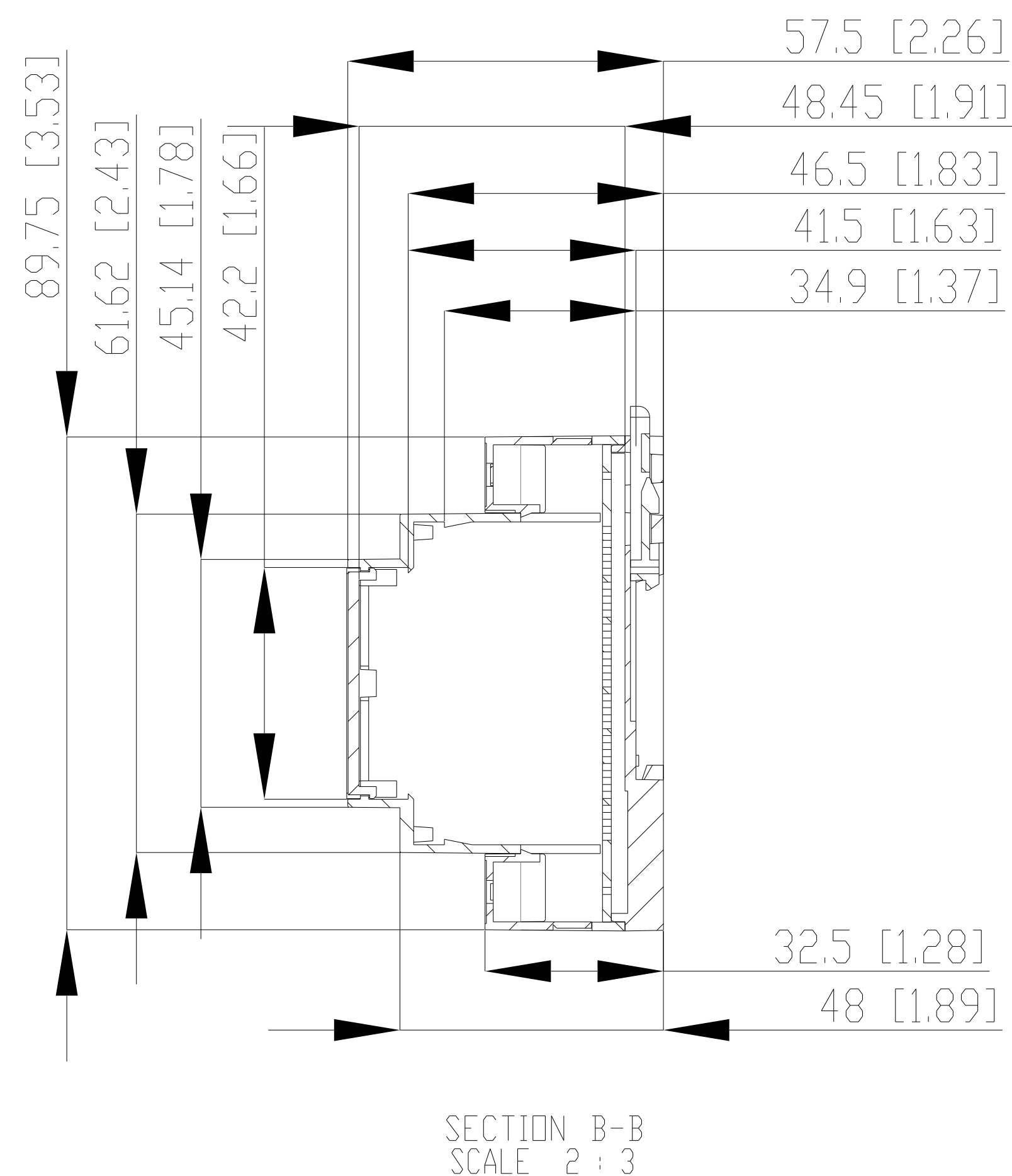
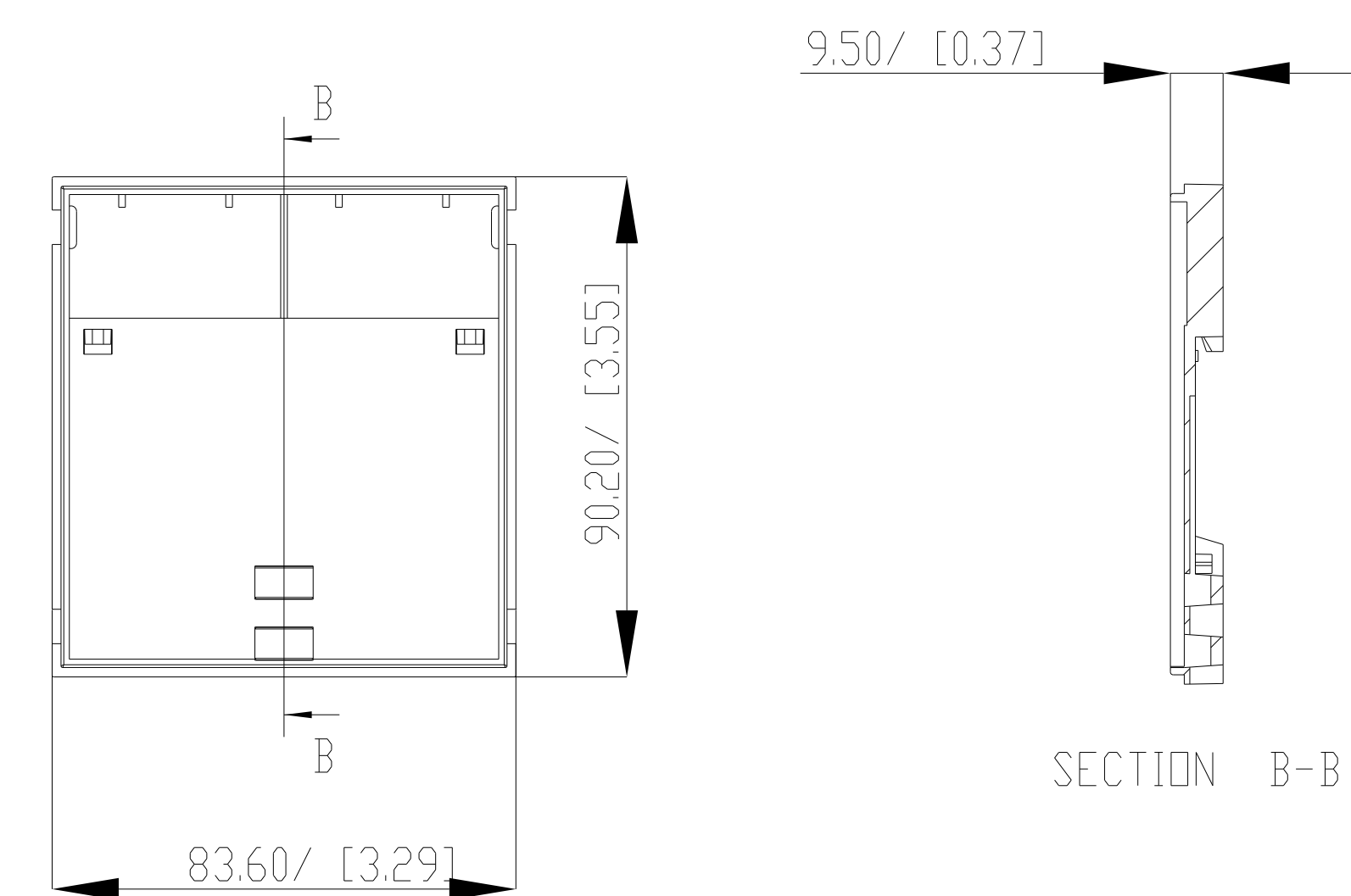
GUARD



BODY



BASE



COVER

