

Data Sheet	DMM-4026-B-R
------------	--------------

Microphone Specifications

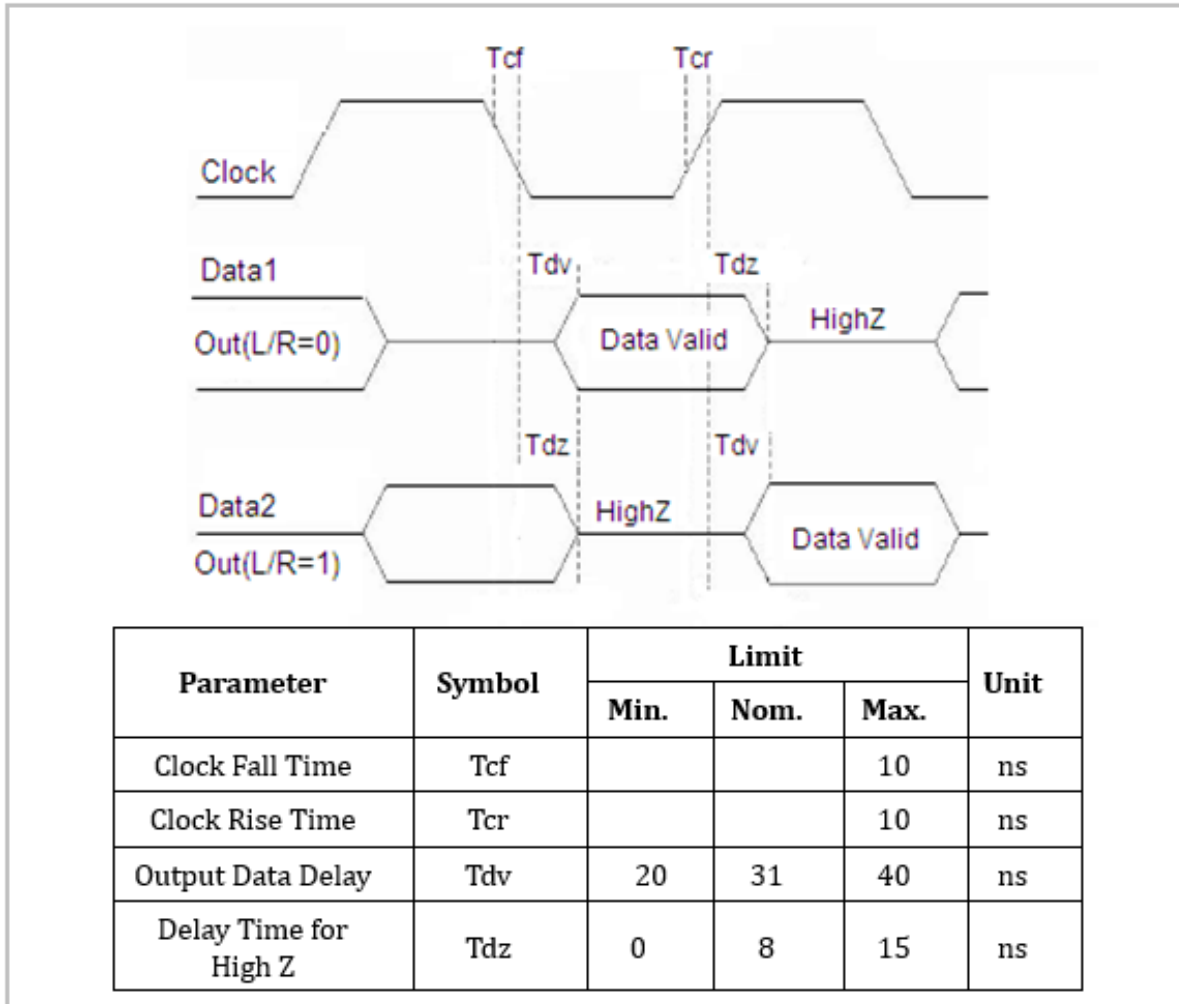
Parameters	Condition	Values	Units
Directivity	Omnidirectional		
Sensitivity	1 kHz @ 50cm with 94 dB source 0 dB=1V/Pa	-26±1	dB
Data Format	1/2 Cycle PDM		
Rated Voltage	-	1.8	VDC
Operating Voltage Range	-	1.5 to 3.6	VDC
Current Draw	Full Power Mode	820 ~ 1000	µA
	Low Power Mode	400 ~ 450	µA
Signal-to-Noise Ratio (1kHz, 94 dB input, A-weighted)	Full Power Mode	63	dB
	Low Power Mode	61	dB
Frequency Range	20~18,000		Hz
Total Harmonic Distortion (typical)	94 dB @ 50cm, 1 kHz acoustic source	0.5%	-
Soldering Methods	Reflow Solder		See page 6
Acoustic Overload Point (AOP)	Full Power Mode SPL @ 50cm with 10% THD @ 1 kHz		123 dB
	Low Power Mode SPL @ 50cm with 10% THD @ 1 kHz		120 dB
Environmental Compliances	RoHS/Halogen Free		
Power Supply Rejection	100 mVpp Square Wave @ 217 Hz, A-weighted	-86	dBFS
Weight	<0.3		Grams
Load Capacitance	140		pF
Max Voltage on any Pin	4		VDC
Maximum SPL Before Damage (Source 50cm from microphone)	160		dB
Max Mechanical Shock	10,000		Gs
Max Vibration	Pre-MIL-STD-883 Method 2007, Test Condition B		
Operating Temperature (VDD <3.0V)	-40 ~ +100		°C
Operating Temperature (VDD >3.0V)	-40 ~ +70		°C
Storage Temperature	-40 ~ +125		°C
MSL (Moisture Sensitivity Level)*	1		-

*MSL level dependent on product remaining in sealed packaging until use

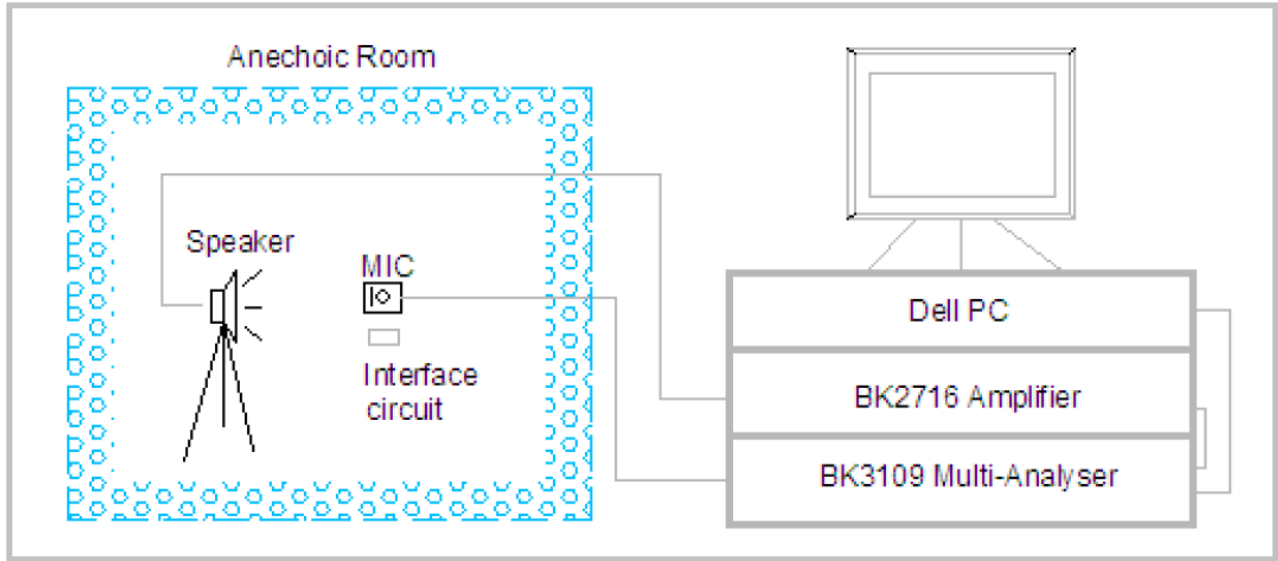
Operational Settings

Parameters	Condition	Values	Units
Clock Frequency	Sleep Mode	0 ~ 250	kHz
	Low Power Mode	500 ~ 800	kHz
	Full Power Mode	1.03 ~ 4.80	MHz
Duty Cycle	For fCLK ≤ 2.4 MHz the duty cycle must be in the range of 40 ~ 60% and for fCLK > 2.4 MHz the duty cycle must be 50%	40 ~ 60	%
Logic Input High	-	0.75*VDD ~ VDD + 0.3V	
Logic Input Low	-	-0.3 ~ 0.25*VDD	
Logic Output High	-	0.75*VDD ~ VDD + 0.3V	
Logic Output Low	-	-0.3 ~ 0.25*VDD	

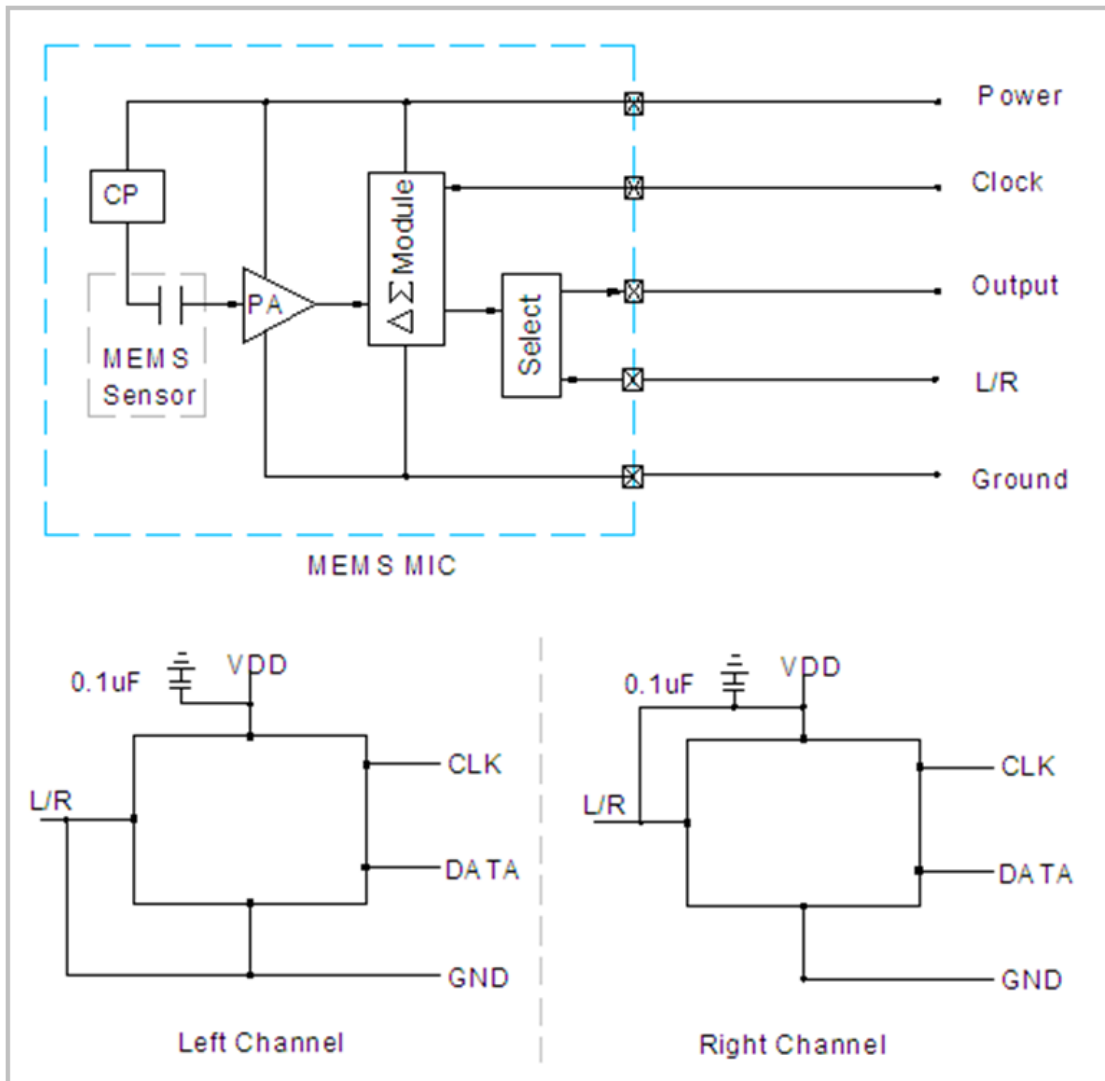
Timing Characteristics



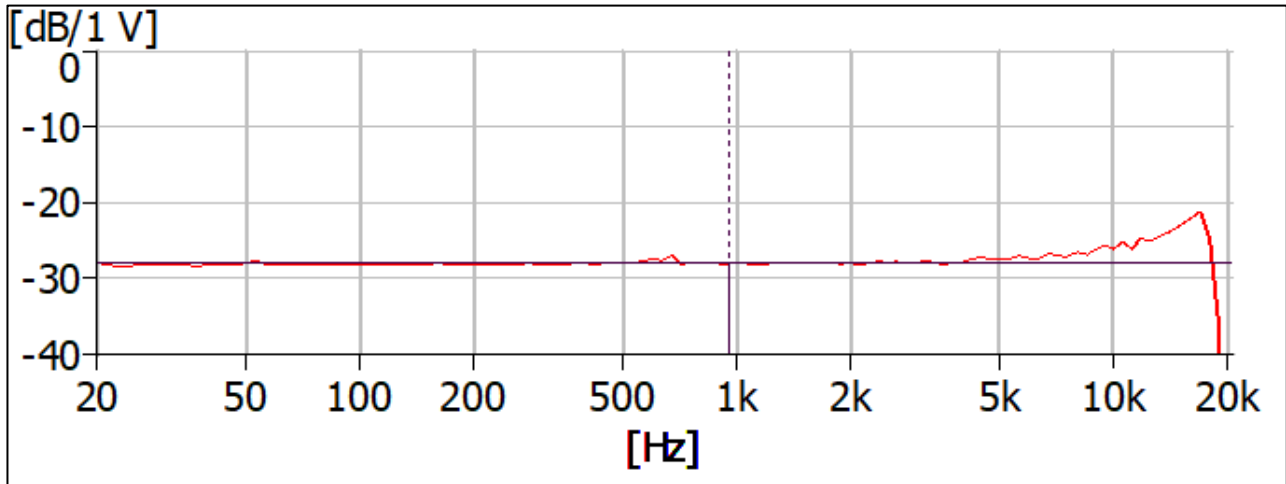
Measurement Method



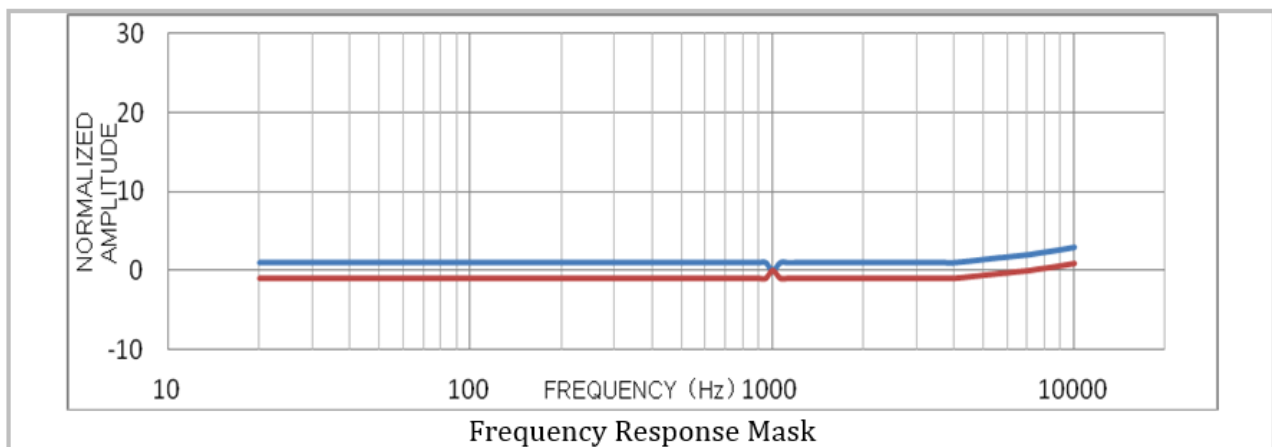
Measurement Interface Circuit



Typical Frequency Response



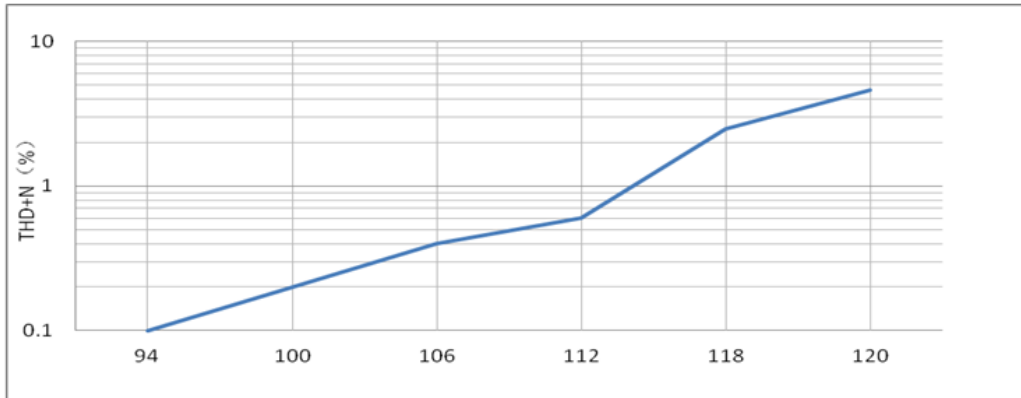
Frequency Response Mask (100% Pass/Fail Test for Microphones)



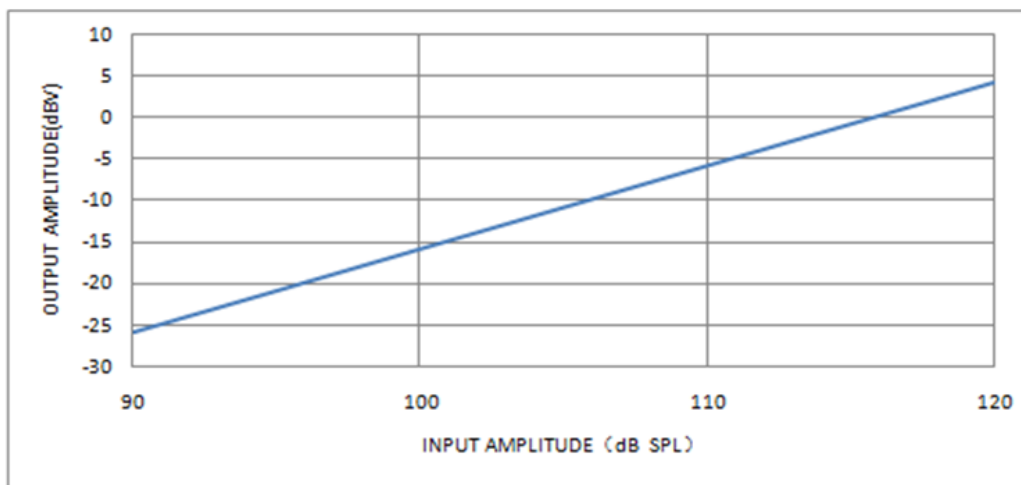
Frequency (Hz)	Upper	Limit
20	1	-1
50	1	-1
100	1	-1
900	1	-1
1000	0	0
1100	1	-1
2000	1	-1
5000	1	-1
10000	3	1

Free-field frequency response normalized to 1kHz sensitivity value.

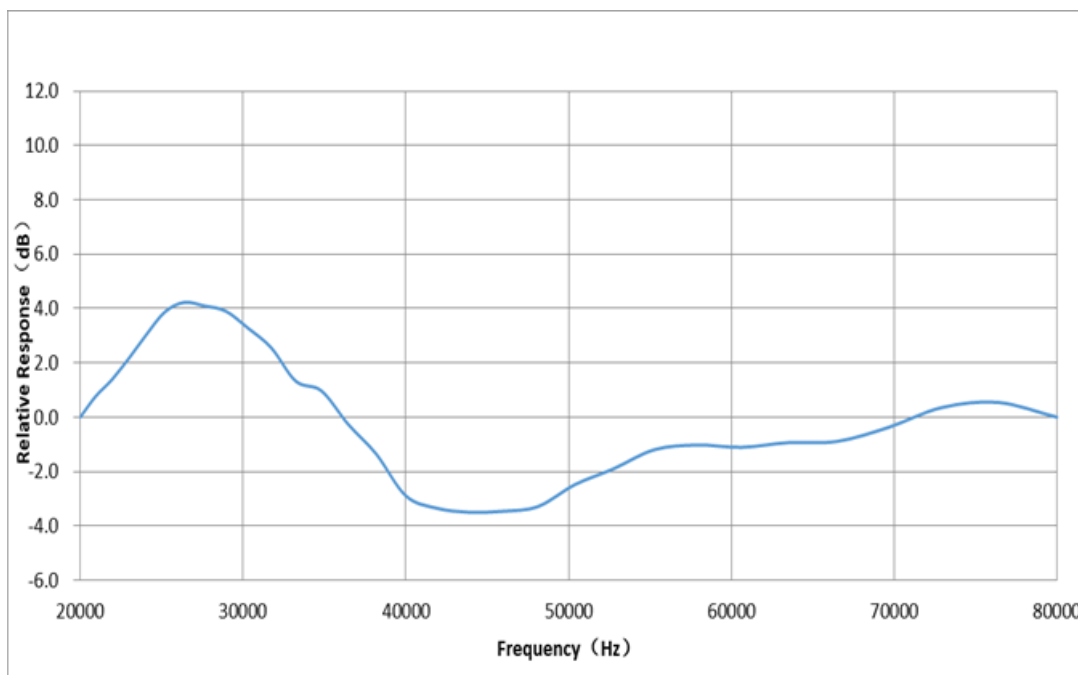
Total Harmonic Distortion + Noise versus SPL Input (with acoustic source at 50cm)



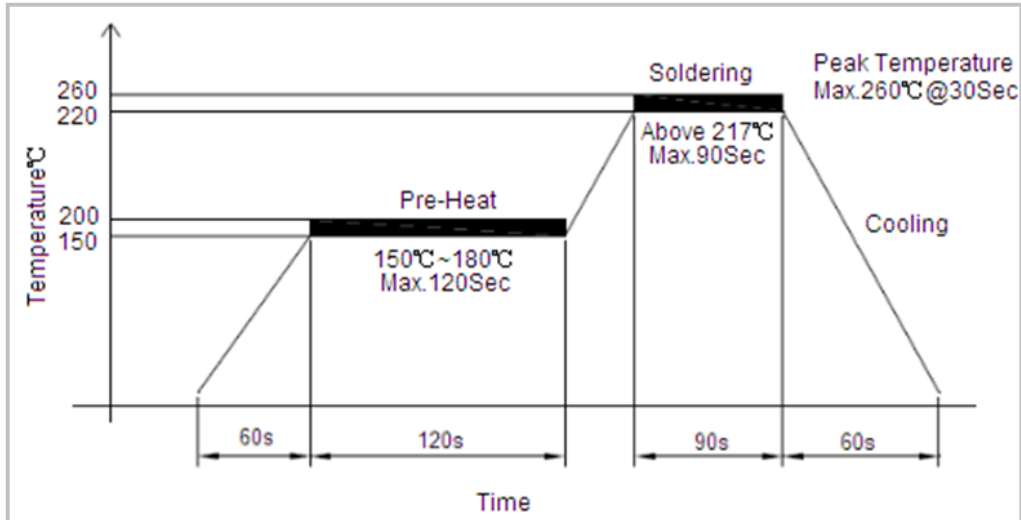
Microphone Output versus SPL Input (with acoustic source at 50cm)



Ultrasonic Frequency Response (Sensitivity normalized to 0 dB)



Recommended Soldering Procedure



Important Notes to minimize device damage:

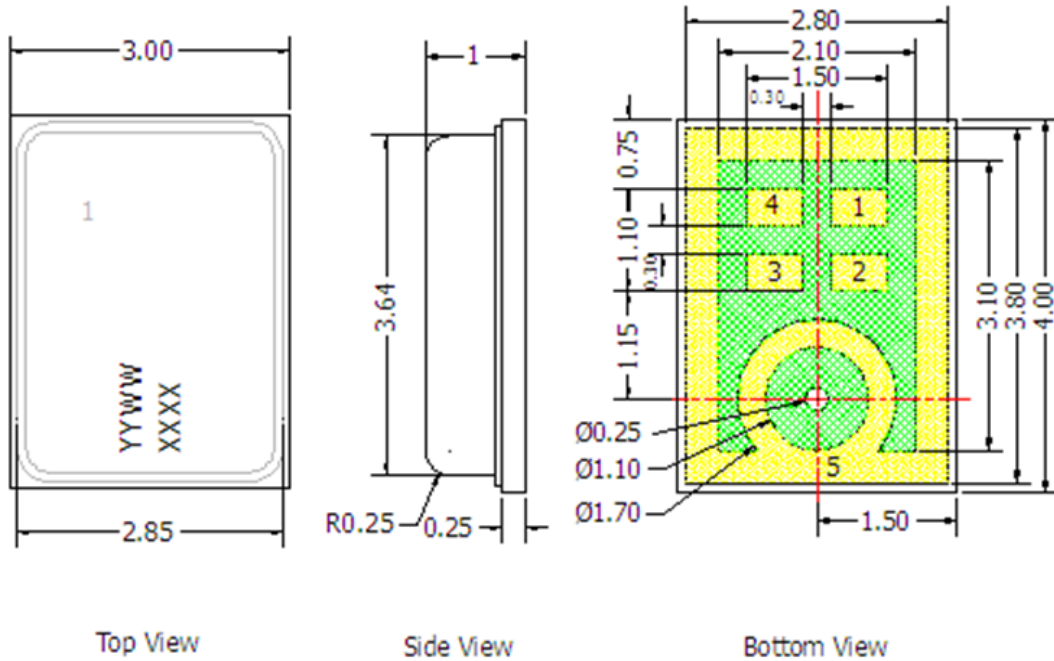
1. Do not boards wash or clean after the reflow process.
2. Do not apply over 0.3Mpa of air pressure into the port hole.
3. Do not expose to ultrasonic processing or cleaning.
4. Do not pull a vacuum over port hole of the microphone.

Reliability Testing

Type of Test	Test Specifications
Simulated Reflow (Without Solder)	Samples for qualification testing require 3 passes 260±5 °C reflow solder profiles. 2 hours of setting time is required between each reflow profile test.
Static Humidity	Precondition at +25°C for 1 hour. Expose to +85°C with 85% relative humidity for 1000 hours. Dry at room ambient for 3±1 hour before taking final measurement.
Temperature Shock	Each cycle shall consist of 30 minutes at -40°C, 30 minutes at +125°C with 5 minutes transition time. Test duration is for 30 cycles, starting from cold to hot temperature.
ESD Sensitivity	Perform ESD sensitivity threshold measurements for each contact according to MIL-STD-883G, Method 3015.7 for Human Body Model. Identify the ESD threshold levels indicating passage of 8000V Human Body Model.
Vibration Test	Vibrate randomly along three perpendicular directions for 30 minutes in each direction, 4 cycles from 20~2000 Hz with a peak acceleration of 20 Gs.
Shock Test	Subject samples to half-sine shock pulses (3000±15% Gs for 0.3ms) in each direction, for a total of 18 shocks.
Drop Test	Drop samples from 1.5m height onto a steel surface, total 18 times and inspected for mechanical damage.
Operation Life	Subject samples to +125°C for 168 hours under full maximum rated voltage.

Microphone frequency response and sensitivity shall not deviate more than ±3 dB.

Dimensions



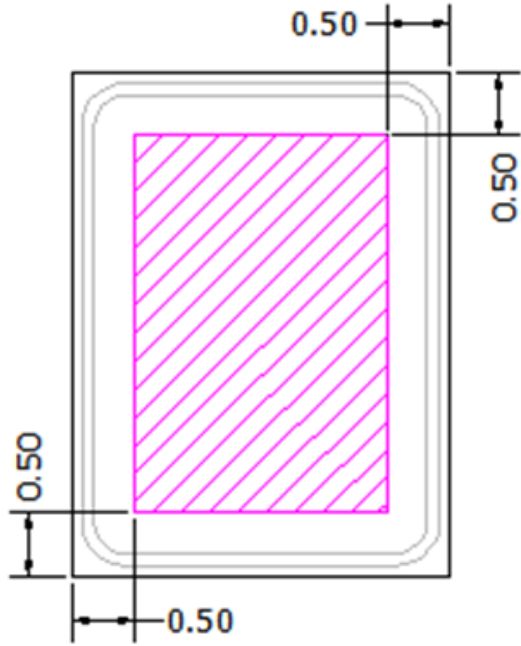
Data Code	
YYWW	YY: Year WW: Work Week
XXX	XXX: Lot No.

Item	Dimension	Tolerance (+/-)	Units
Length (L)	4.00	0.10	mm
Width (W)	3.00	0.10	mm
Height (H)	1.00	0.10	mm
Acoustic Port (AP)	Ø0.25	0.05	mm

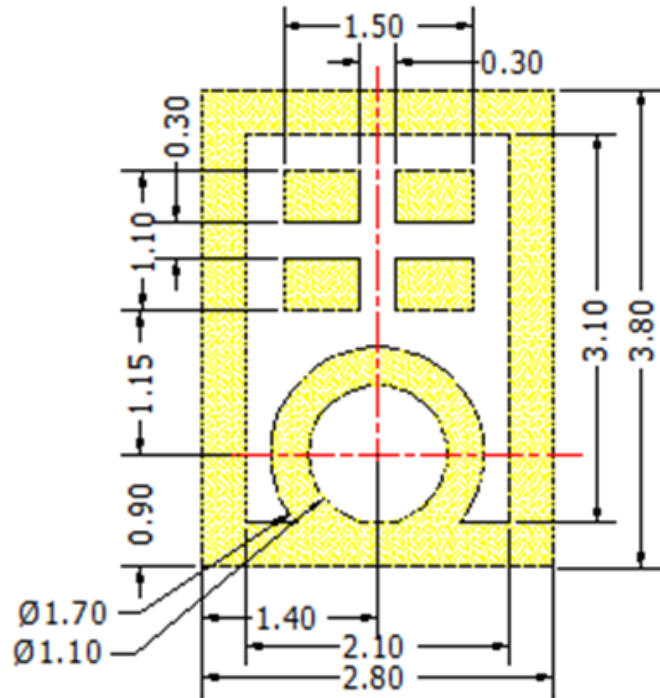
Pin #	Pin Name	Type	Description
1	CLK	Clock	Clock input
2	L/R	L/R Channel	Channel select
3	V _{DD}	Power	Power Supply
4	Output	Signal	Output Signal
5	GND	Ground	Ground

Notes:
 All dimensions are in millimeter (mm).
 Tolerance ±0.15mm unless otherwise specified.

Suggested Pickup Tool Location and Land Pattern*



Recommended Pickup Location

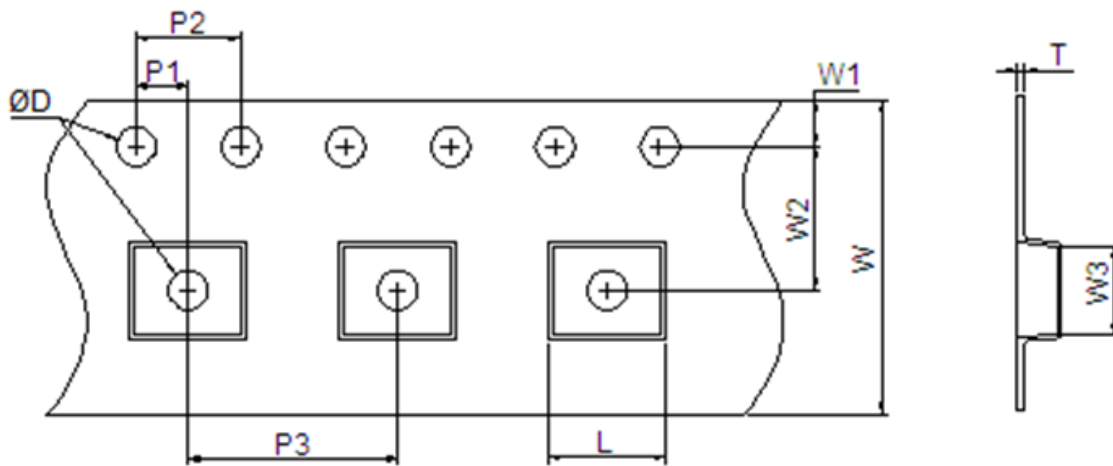


Recommended Solder Pad Layout

*This land pattern is advisory only and its use or adaptation is entirely voluntary. PUI Audio disclaims all liability of any kind associated with the use, application, or adaptation of this land pattern.

Packaging

Tape Specification



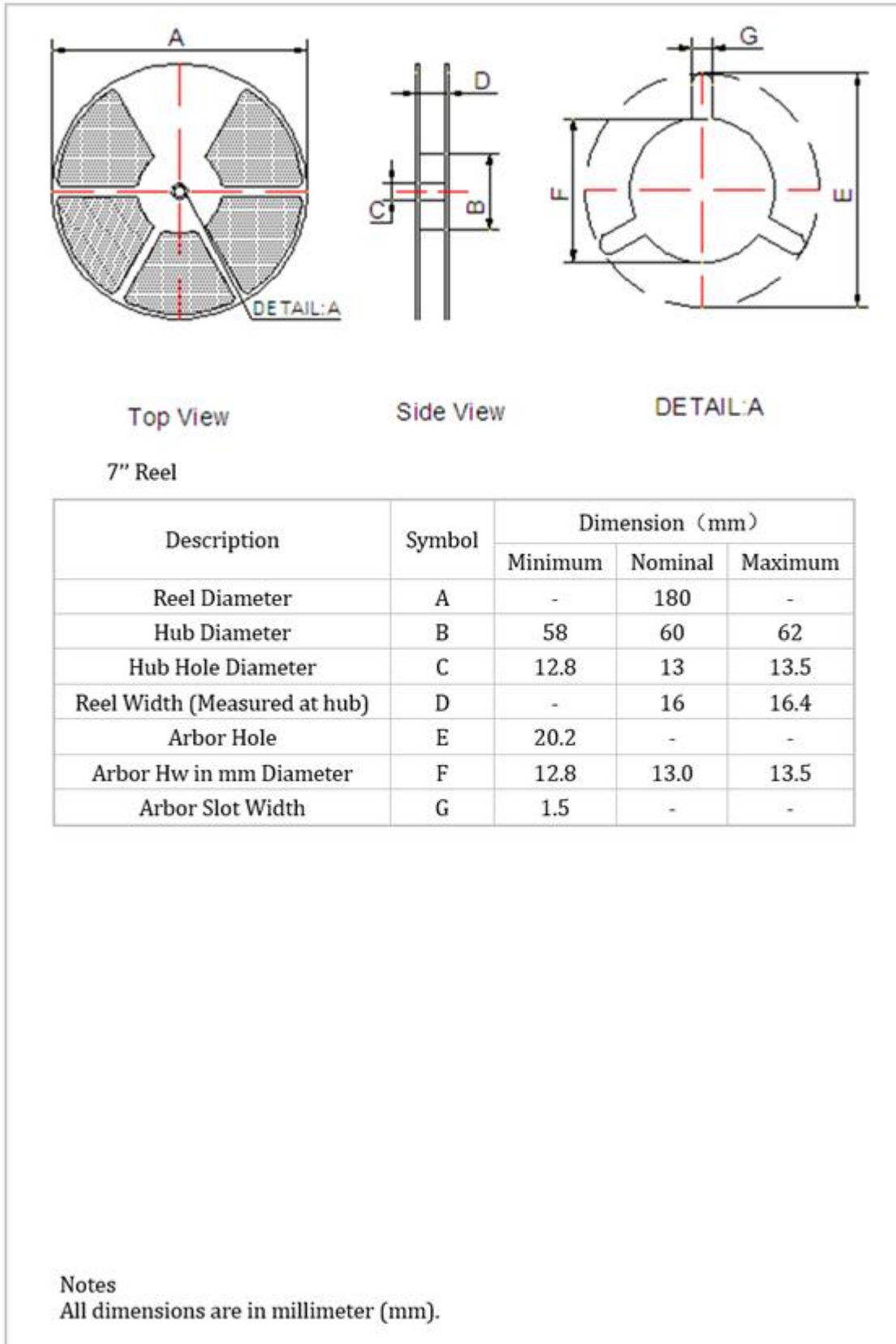
Symbol	Dimension		
	Minimum	Nominal	Maximum
ØD	1.5	1.5	1.6
P1	1.9	2.0	2.1
P2	3.9	4.0	4.1
P3	7.9	8.0	8.1
L	4.0	4.1	4.2
W	11.7	12	12.3
W1	1.65	1.75	1.85
W2	5.4	5.5	5.6
W3	3.3	3.4	3.5
T	0.25	0.3	0.35

Notes

All dimensions are in millimeter (mm).
 Tolerance $\pm 0.15\text{mm}$ unless otherwise specified.

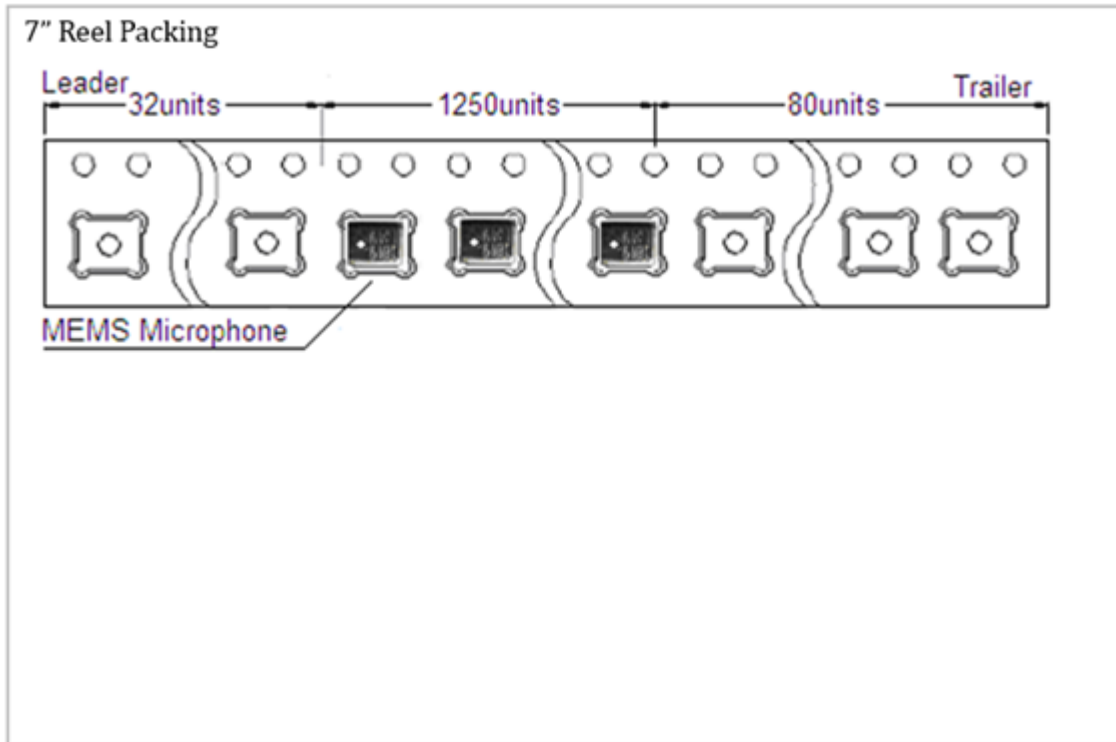
Packaging (continued)

Reel Specification

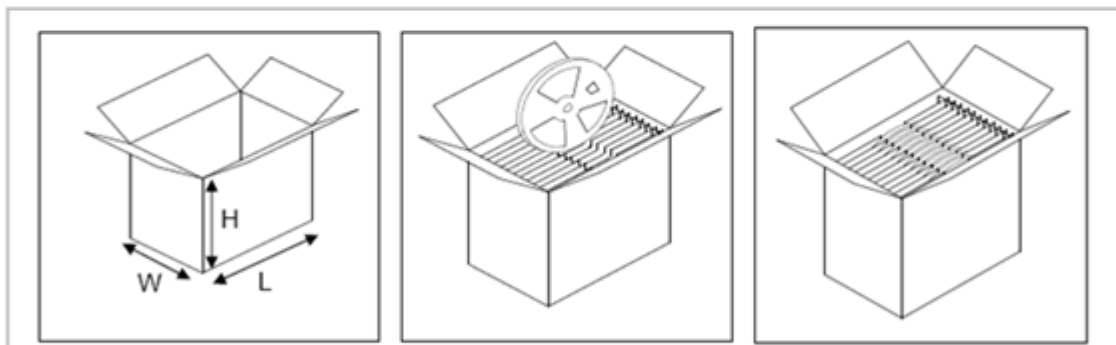


Packaging (continued)

Packing Quantity



Packing Information



Tape & Reel 7"

Qty/reel	Weight/reel	Reel/Carton	Qty/carton	Weight full	Dimension carton Box (L x W x H) mm	Storage
Pcs	Kg	Nos	Nos	Load(kg)		Temp
1250	0.25	4	5000	~3.00	272 x 159 x 236	-10°C~50 °C