



## MEAS MS5637 SENSOR FOR GROVE SYSTEM

### Digital Pressure Sensor

The MS5637 provides the necessary hardware to interface the MS5637 digital barometric pressure and temperature sensor to any system that utilizes Grove compatible expansion ports configurable for I<sup>2</sup>C communication. The MS5637 sensor is a self-contained pressure and temperature sensor that is fully calibrated during manufacture. The sensor model works in 5V voltage external. The sensor module includes a high-linearity pressure sensor and an ultra-low power 24 bits  $\Delta\Sigma$  ADC with internal factory-calibrated coefficients

### Performance

- 300 to 1200mbar pressure range
- -40°C to 85°C temperature range
- Very low power consumption
- Operates 5V
- Altitude resolution at sea level is 20 cm of air
- Fast conversion time – 0.5ms typical

### Specifications

- Measures pressure from 300mbar to 1200mbar
- Measures temperature from -40°C to 125°C
- I<sup>2</sup>C communication
- Fully calibrated
- Fast response time
- Very low power consumption

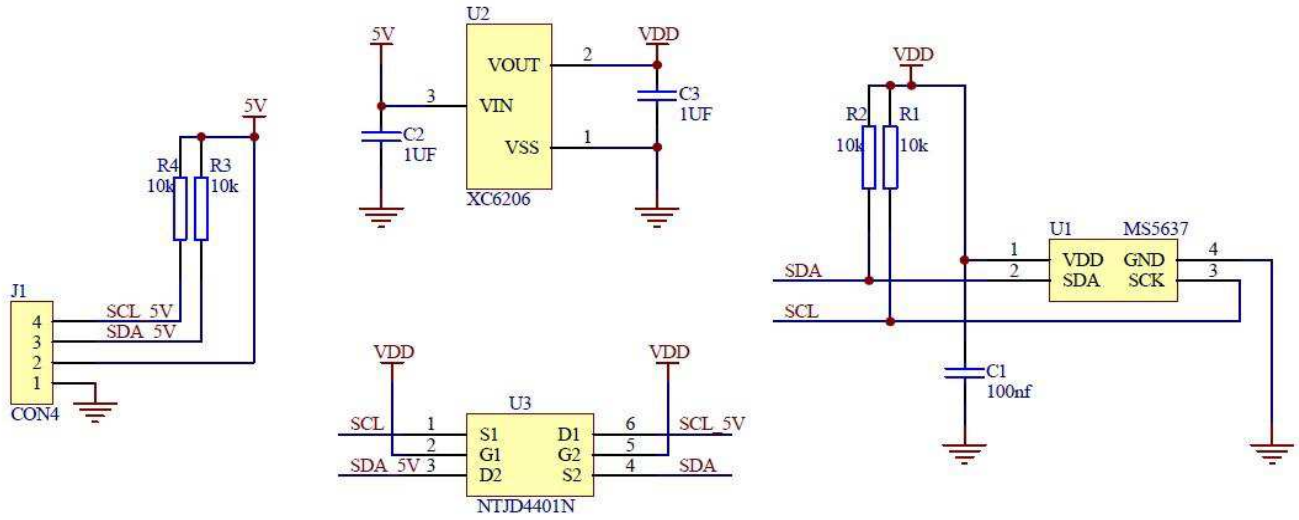
### Features

- 4-pin Grove compatible connector
- I<sup>2</sup>C interface
- Parameters stored on chip

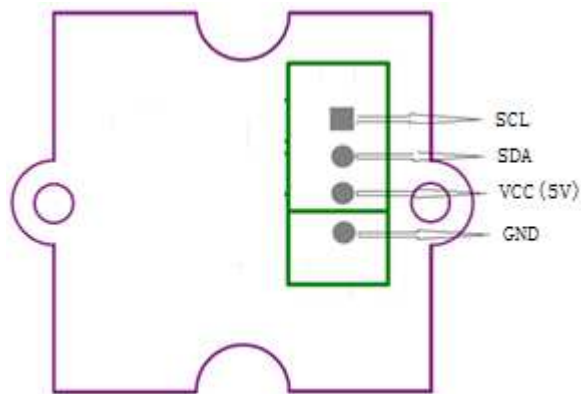
# MEAS MS5637 FOR GROVE SYSTEM

Digital Pressure Sensor

## Schematic



## Connector Pin Assignments (I<sup>2</sup>C Communications)



## Dimensions (mm)

