



### Performance

- -5°C to 50°C accuracy: 0.1°C
- -40°C to 125°C accuracy: 0.5°C
- Very low power consumption
- Operates 5V
- Time constant –4 seconds typical in air
- Fast conversion time – 8.22ms typical

## MEAS TSYS01 SENSOR FOR GROVE SYSTEM

### Digital Temperature Sensor

The TSYS01 provides the necessary hardware to interface the TSYS01 digital temperature sensor to any system that utilizes Grove compatible expansion ports configurable for I<sup>2</sup>C communication. The TSYS01 sensor is a self-contained temperature sensor that is fully calibrated during manufacture. The sensor model works in 5V voltage external. The TSYS01 has a low power stand-by mode for power-sensitive applications.

### Specifications

- Measures temperature from -40°C to 125°C
- I<sup>2</sup>C communication
- Fully calibrated
- Fast response time
- Very low power consumption

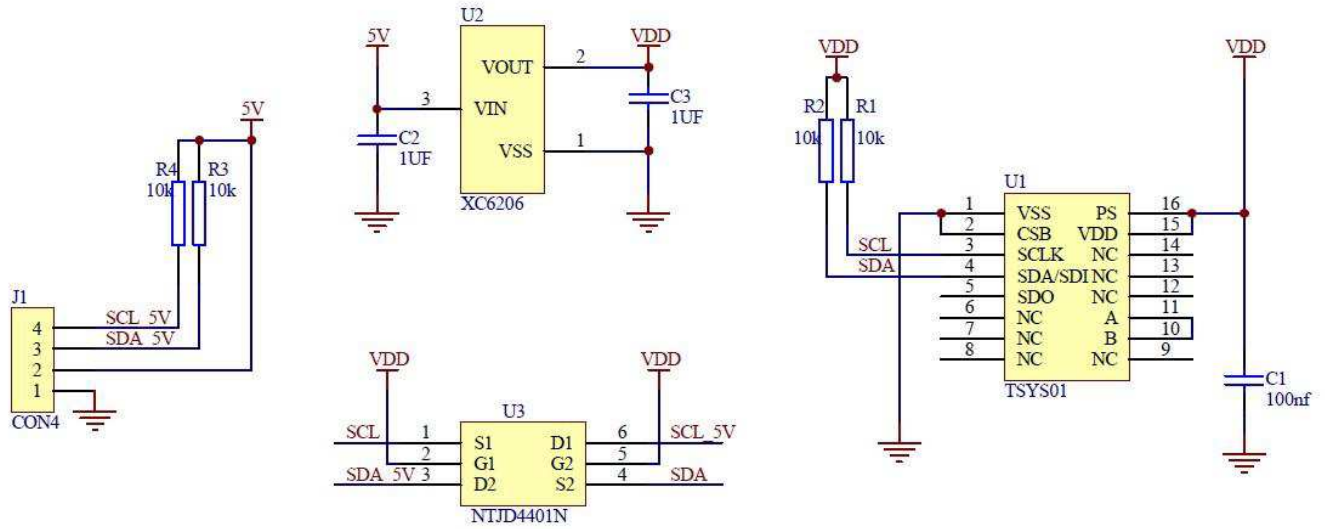
### Features

- 4-pin Grove compatible connector
- I<sup>2</sup>C interface
- 24/16 bit resolution for temperature
- Parameters stored on chip

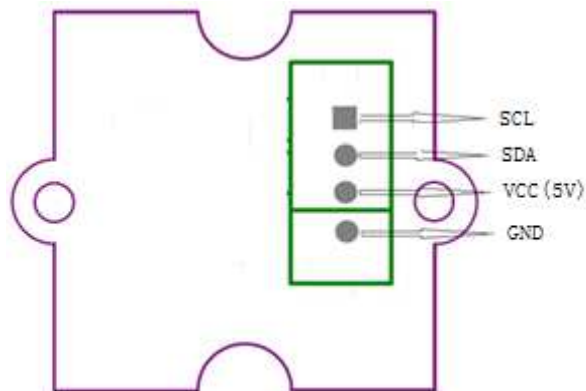
# MEAS TSYS01 FOR GROVE SYSTEM

Digital Temperature Sensor

## Schematic



## Connector Pin Assignments (I<sup>2</sup>C Communications)



## Dimensions (mm)

