

MEAS TSYS02D SENSOR FOR GROVE SYSTEM

Digital Temperature Sensor

The TSYS02D provides the necessary hardware to interface the TSYS02D digital temperature sensor to any system that utilizes Grove compatible expansion ports configurable for I²C communication. The TSYS02D sensor is a self-contained temperature sensor that is fully calibrated during manufacture. The sensor model works in 5V voltage external. The TSYS02D has a low power stand-by mode for power-sensitive applications.

Performance

- -5°C to 50°C accuracy: 0.2°C
- -20°C to 100°C accuracy: 0.5°C
- -40°C to 125°C accuracy: 1°C
- Very low power consumption
- Operates 5V
- Time constant – 4 seconds typical
- Conversion time – 43ms typical

Specifications

- Measures temperature from -40°C to 125°C
- I²C communication
- Fully calibrated
- Fast response time
- Very low power consumption

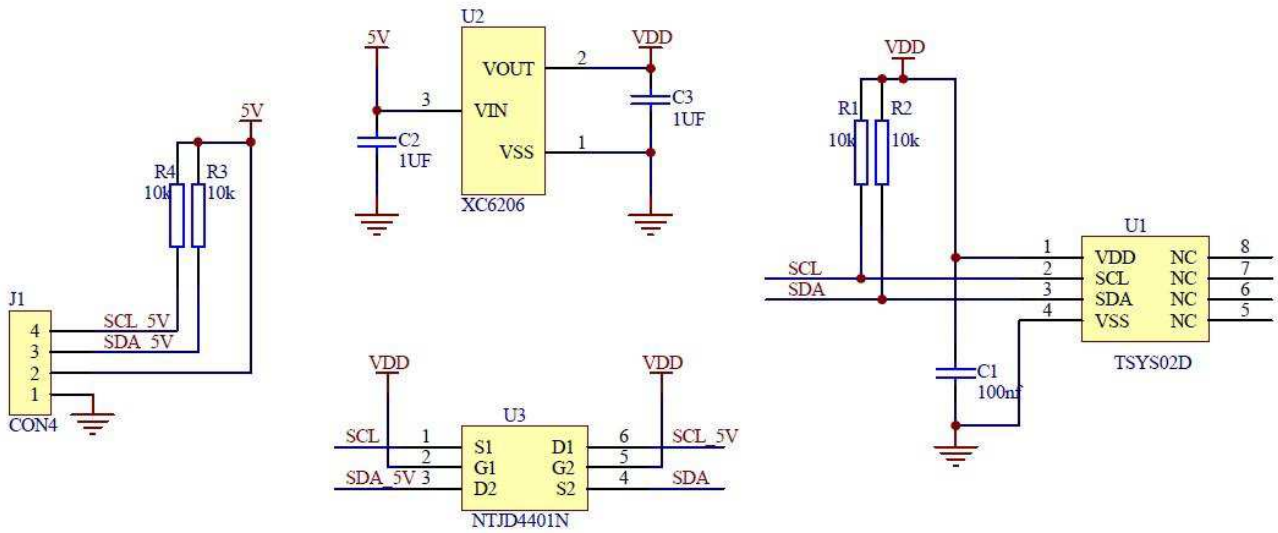
Features

- 4-pin Grove compatible connector
- I²C interface
- 24/16 bits resolution for temperature
- Parameters stored on chip

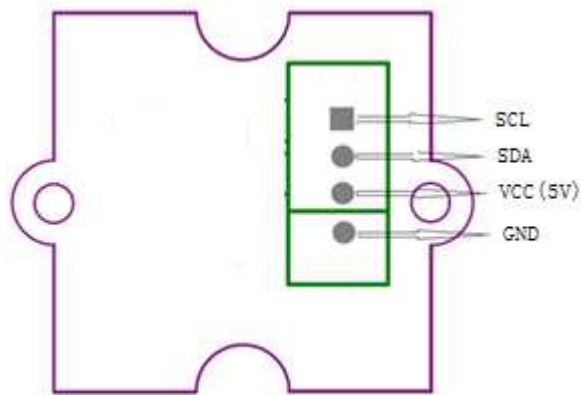
MEAS TSYS02D FOR GROVE SYSTEM

Digital Temperature Sensor

Schematic



Connector Pin Assignments (I²C Communications)



Dimensions (mm)

