

MEAS MS8607 SENSOR FOR GROVE SYSTEM

Digital Pressure and Humidity Sensor

The MS8607 provides the necessary hardware to interface the MS8607 digital pressure, relative humidity and temperature sensor to any system that utilizes Grove compatible expansion ports configurable for I²C communication. The MS8607 sensor is a self-contained pressure, humidity and temperature sensor that is fully calibrated during manufacture. The sensor model works in 5V voltage external. The MS8607 is ideal for weather station applications embedded into compact devices and any applications in which pressure, humidity and temperature monitoring is required.

Performance

- Pressure range: 300 to 1200 mbar
- 0% to 100% relative humidity range
- -40°C to 125°C temperature range
- Operates 5V
- Absolute Pressure accuracy ± 2 mBar (25°C)
- Absolute Humidity accuracy $\pm 3\%$ RH (25°C, 20-80%RH)
- Absolute Temperature accuracy $\pm 1^\circ\text{C}$ (-20...+85°C)

Specifications

- Operating pressure range: 300 to 1200 mbar
- Measures relative humidity from 0% to 100%
- Measures temperature from -40°C to 125°C
- Extended pressure range 10 to 2000 mbar
- Fast response time
- I²C communication
- Very low power consumption

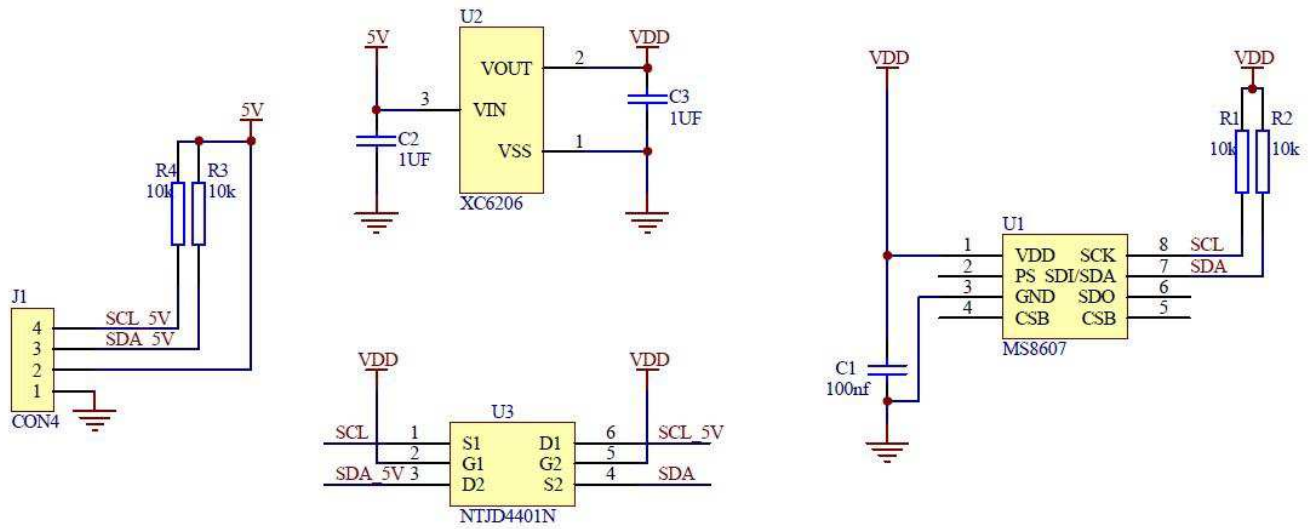
Features

- 4-pin Grove compatible connector
- I²C interface
- Selectable resolution for pressure
- Selectable resolution for humidity and temperature
- Parameters stored on chip

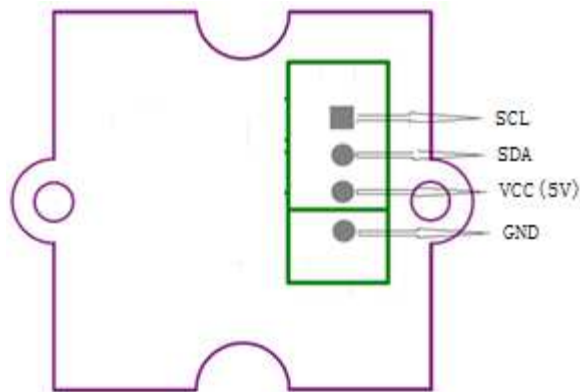
MEAS MS8607 FOR GROVE SYSTEM

Digital Pressure and Humidity Sensor

Schematic



Connector Pin Assignments (I²C Communications)



Dimensions (mm)

