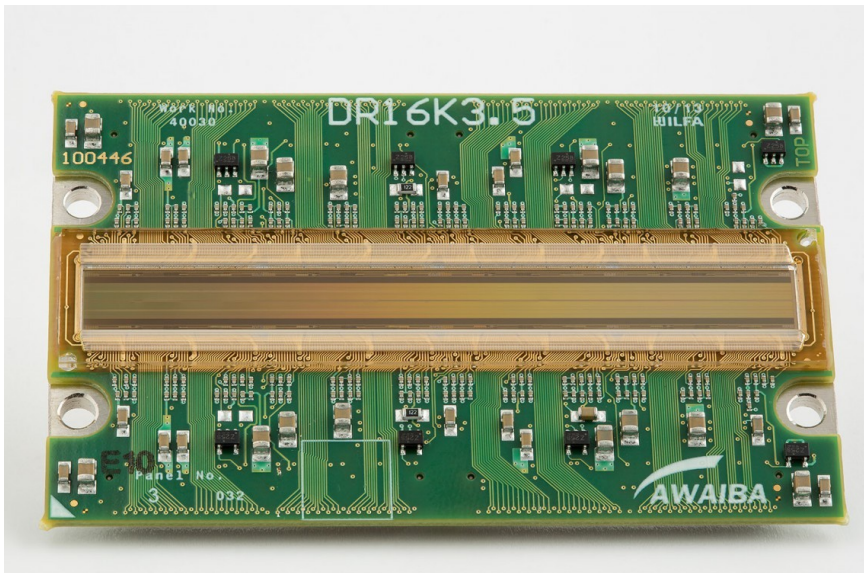


DRAGSTER



Revision History:

<i>Version</i>	<i>Date</i>	<i>Modifications</i>	<i>Author</i>
3.2.2	09/09/15	Updated Document	Fátima Baptista
3.2.3	04/05/16	Update LCC Drawings	José Félix
3.2.4	13/05/16	Updated pinout	Fátima Baptista
3.2.5	29/06/16	Updated table 6	Fátima Baptista
3.2.6	01/08/16	Updated Spectral Response graph	José Félix
3.2.7	12/08/16	Updated package information	Fátima Baptista
3.2.8	06/06/17	Updated section 12	Fátima Baptista

Table of Contents

1 Introduction.....	8
2 Disclaimer.....	10
3 General Statements and Conventions.....	11
3.1 Tolerances.....	11
3.2 Power supply.....	11
3.3 Clock specification.....	11
3.4 Digital numbers.....	11
3.5 Metric units.....	11
4 Block Diagram.....	12
5 External Components.....	14
6 Electrical Description.....	18
6.1 Absolute Maximum Ratings.....	18
6.2 Electrical overstress immunity.....	19
6.3 Latch-up immunity.....	19
6.4 “Power ON” Sequence.....	19
6.5 Operating Conditions.....	20
6.6 Electrical characteristics.....	21
6.7 Optical characteristics DR-2k-7, DR-4k-7, DR-6k-7, DR-8k-7.....	23
6.8 Optical characteristics DR-2x2k-7, DR-2x4k-7, DR-2x8k-7.....	25
6.9 Optical characteristics DR-4k-3.5, DR-8k-3.5, DR-16k-3.5.....	27
6.10 Dragster Relative Spectral Response.....	29
6.10.1 Filter transmission for RGB Bayer pattern sensor versions.....	30
6.10.2 Color filter arrangement for RGB Dragster versions.....	30
6.11 Placement of pixels DR-Xk-7.....	31
6.11.1 Test & special pixels DR-Xk-7.....	31
6.12 Placement of pixels DR-Xk-3.5.....	32
6.12.1 Test & special pixels DR-Xk-3.5.....	32
7 Functional Description.....	33
7.1 General sensor description.....	33
7.1.1 Functional description Dragster Pixel.....	35
7.1.1.1 Anti Blooming circuitry.....	36
7.1.1.2 Anti corona circuitry.....	37
7.1.1.3 Analogue Gain.....	37
7.1.1.4 CDS reference generation.....	37
7.1.1.5 Pixel Level ADC.....	38

7.1.1.6 Digital Readout concept.....	42
7.2 Configuration Bit Overview.....	43
7.3 Register definition.....	45
7.3.1 CONTROL register 1.....	45
7.3.2 CONTROL register 2.....	46
7.3.3 Inversed ADC Gain Register.....	47
7.3.4 Offset register.....	48
7.3.5 CONTROL register 3.....	48
7.3.6 Threshold register 1.....	49
7.3.7 Threshold register 2.....	50
7.3.8 Threshold register 3.....	50
7.3.9 End of Range register.....	50
7.3.10 Test Multiplexer register.....	51
7.4 Serial 4 wire configuration interface.....	53
7.4.1 Writing Operation.....	53
7.4.2 Reading Operation.....	54
7.5 Timing diagrams	55
8 Pins and functionality.....	58
9 Tap organization	59
9.1.1 Tap organization DR-2k-7, DR-4k-7, DR-8k-7.....	59
9.1.2 Tap organization DR-6k-7.....	60
9.1.3 Tap organization DR-4k-3.5, DR-8k-3.5, DR-16k-3.5.....	61
9.1.4 Tap organization DR-2x2k-7, DR-2x4k-7, DR-2x8k-7.....	62
9.1.5 Tap organization DR-2x2k-7-RGB, DR-2x4k-7-RGB, DR-2x8k-7-RGB.....	63
10 Packages overview.....	64
11 Mechanical Drawings.....	67
11.1 LCC Package drawings DR2k-7.....	67
11.2 LCC package drawings DR2x2k-7, DR4k-3.5.....	68
11.3 Invar package drawing DR4k-7	69
11.4 Invar package drawing DR-2x4k-7, DR8k-3.5.....	70
11.5 Invar package drawing DR2k-7, DR2x2k-7, DR4k-3.5.....	71
11.6 Invar package drawing DR6k-7.....	72
11.7 Invar package drawing DR8k-7.....	73
11.8 Invar package drawing DR-2x8k-7, DR-16k-3.5.....	74
12 Connectors pin outlined.....	75
12.1 Pinout DR2k-7-LCC, DR2x2k-7-LCC, DR4k-3.5-LCC.....	75

12.2 Connectors for different versions of Invar headboard packages.....	78
12.2.1 Connector number identification and pin numbers.....	79
.....	79
12.3 Connector signal assignment for Invar head board DR-2x2k-7-Invar, DR-4k-3.5-Invar, DR-2k-7-Invar.....	80
12.3.1 Connector 1	80
12.3.2 Connector 2	83
12.4 Connector signal assignment for Invar head board variations DR-4k-7, DR-8k-7, DR-8k-3.5, DR-16k-3.5, DR-2x4k-7, DR-2x8k-7.....	86
12.4.1 Connector 1	86
12.4.2 Connector 2	89
12.4.3 Connector 3	92
12.4.4 Connector 4	95
12.5 Connector signal assignment for Invar head board DR-6K-7.....	98

Index of Tables

Table 1: Recommended values for capacitors and inductances.....	15
Table 2: Optional external components.....	16
Table 3: Absolute maximum ratings	18
Table 4: Operating conditions.....	20
Table 5: Electrical characteristics.....	21
Table 6: Power consumption for Dragster Invar package	22
Table 7: Power consumption for Dragster LCC package.....	22
Table 8: Optical characteristics for DR-2k-7, DR-4k-7, DR-6k-7, DR-8k-7	23
Table 9: Optical Characteristics for DR-2x2k-7, DR-2x4k-7, DR2x8k-7.....	26
Table 10: Optical characteristics DR-4k-3.5, DR-8k-3.5, DR-16k-3.5.....	27
Table 11: Test multiplexer channels.....	52
Table 12: Pins and functionality.....	58
Table 13: Package overview.....	66
Table 14: Connectors for different chip versions.....	78

Index of Figures

Fig 1: Block diagram of a Dragster Element.....	13
Fig 2: Recommended power supply strategy for the sensor head board. *The component DAC1 is optional.....	14
Fig 3: External components for the option to control the ADC offset by an external DAC for the case of a sensor with 4 segments.....	16
Fig 4: Equivalent load scheme for use of external DAC.....	17
Fig 5: Dragster Relative Spectral Response measured according EMVA1288.....	29
Fig 6: Spectral transmission of colour filters.....	30
Fig 7: Color filter arrangement on Dragster dual line sensors.....	30
Fig 8: Placement of pixels sensors with 7µm pixel pitch.....	31
Fig 9: Placement of pixels sensor variations with 3.5µm pixel pitch.....	32
Fig 10: Interconnection of ADC reference voltages in case of 7µm pixel pitch sensors with multiple segments.....	33
Fig 11: Interconnection of ADC reference voltages in case of 3.5µm pixel pitch sensors with multiple segments.....	34
Fig 12: Overview of pipelined integration ADC and readout sequence.....	35
Fig 13: Overview of the functional blocks for the analogue part of the pixel.....	36
Fig 14: Functional block diagram of the pixel level ADC.....	38
Fig 15: ADC transfer function in linear mode and registers defining the ADC parameters.....	39
Fig 16: ADC transfer function in companding mode.....	40
Fig 17: Adaptation of the ADC conversion step in companding ADC mode.....	41
Fig 18: Writing operation.....	53
Fig 19: Reading operation.....	54
Fig 20: Timing diagram.....	55
Fig 21: Timing diagram.....	56
Fig 22: Detail end of integration start ADC and readout.....	57
Fig 23: Tap organization DR-2k-7, DR-4k-7, DR-8k-7.....	59
Fig 24: Tap organization DR-6k-7.....	60
Fig 25: Tap organization DR-4k-3.5, DR-8k-3.5, DR-16k-3.5.....	61
Fig 26: Tap organization DR-2x2k-7, DR-2x4k-7, DR-2x8k-7.....	62
Fig 27: Tag organization DR-2x2k-7-RGB, DR-2x4k-7-RGB, DR-2x8k-7-RGB.....	63
Fig 28: Four Views of LCC Package Drawings for DR2k-7	67
Fig 29: Four Views of LCC Package Drawings for DR2x2k-7 B&W and RGB, DR4k-3.5.....	68
Fig 30: Top view DR-B&W-4k-7-Invar. If not otherwise noted all tolerances are +/- 0.1mm.....	69
Fig 31: DR-B&W-4k-7-Invar. Tolerance +/- 0.1mm.....	69
Fig 32: Top view DR-B&W-2x4k-7-Invar and DR-B&W-8K-3.5-Invar. If not otherwise noted all tolerances are +/- 0.1mm.....	70
Fig 33: DR-B&W-2x4k-7-Invar, DR-B&W-8K-3.5-Invar. Tolerance +/- 0.1mm.....	70

Fig 34: Top view DR-B&W-2k-7-Invar, DR-B&W-2x2k-7-Invar, DR-B&W-4k-3.5-Invar. If not otherwise noted all tolerances are +/- 0.1mm.....71

Fig 35: DR-B&W-2k-7-Invar, DR-B&W-2x2k-7-Invar, DR-B&W-4k-3.5-Invar.. Tolerance +/- 0.1mm.....71

Fig 36: Top view DR-B&W-6k-7-Invar. If not otherwise noted all tolerances are +/- 0.1mm.....72

Fig 37: DR-B&W-6k-7-Invar. Tolerance +/- 0.1mm.....72

Fig 38: Top view DR-B&W-8k-7-Invar. If not otherwise noted all tolerances are +/- 0.1mm.....73

Fig 39: DR-B&W-8k-7-Invar. Tolerance +/- 0.1mm.....73

Fig 40: Top view DR-B&W-2x8k-7-Invar and DR-B&W-16k-3.5-Invar. If not otherwise noted all tolerances are +/- 0.1mm.....74

Fig 41: DR-B&W-2x8k-7-Invar, DR-B&W-16k-3.5-Invar. Tolerance +/- 0.1mm.....74

Fig 42: Identification of connector number and pin numbers, DR-16K-3.5 back view79

1 Introduction

DRAGSTER is a platform of a digital line-scan sensors. The sensor family is made using three types of basic elements: a single line element with 2048 pixel resolution and 7 μ m pixel size and pitch, a dual line element with 2048 pixel resolution and 7 μ m pixel size and pitch and a 4096 pixels element with 3.5 μ m pixel size and pitch. Any of the following types can be made, where “1x” means single line and “2x” means dual line:

Line	Resolution
1x	2K
	4K
	6K
	8K
	16K
2x	2K
	4K
	8K

The chip versions with dual line are optionally available with Bayer Pattern RGB filters placed on the sensors.

For all variations the basic readout and control electronics are identical. Other different variations of pixel aspect ratios can be implemented, please contact AWAIBA if you require customized resolution sensors based on Dragster architecture.

The current specification covers the following device variations:

Part Number	Number of pixels	Pixel size	Package Type
DR-B&W-2K-7-LCC	1x2048	7 μ m x 7 μ m	LCC
DR-B&W-2K-7-Invar	1x2048	7 μ m x 7 μ m	Invar module
DR-B&W-4K-3.5-LCC	1x4096	3.5 μ m x 3.5 μ m	LCC
DR-B&W-4K-3.5-Invar	1x4096	3.5 μ m x 3.5 μ m	Invar module
DR-B&W-4K-7-Invar	1x4096	7 μ m x 7 μ m	Invar module
DR-B&W-6K-7-Invar	1x6175	7 μ m x 7 μ m	Invar module
DR-B&W-8K-3.5-Invar	1x8192	3.5 μ m x 3.5 μ m	Invar module
DR-B&W-8K-7-Invar	1x8192	7 μ m x 7 μ m	Invar module

DR-B&W-16K-3.5-Invar	1x16384	3.5µm x 3.5µm	Invar module
DR-B&W-2x2K-7-LCC	2x2048	7µm x 7µm	LCC
DR-RGB-2x2K-7-LCC			
DR-B&W-2x2K-7-Invar	2x2048	7µm x 7µm	Invar module
DR-RGB-2x2K-7-Invar			
DR-B&W-2x4K-7-Invar	2x4096	7µm x 7µm	Invar module
DR-RGB-2x4K-7-Invar			
DR-B&W-2x8K-7-Invar**	2x8192	7µm x 7µm	Invar module
DR-RGB-2x8K-7-Invar**			

** sales restrictions may apply to some markets

2 Disclaimer

The Integrated Circuit (IC) has been or will be designed and developed so as to conform in all material respects to the preceding introduced specification based on the performance indication and guideline from the silicon manufacturer regarding the target CMOS technology. Any change to the specification shall be mutually consulted and determined with the prior written consent of the parties. Any changes to the specifications required by the Customer shall be mutually agreed upon and laid down in writing as a supplement to or correction of the specifications.

AWAIBA does not warrant and Customer therefore expressly waives the existence of any parameters or features of the IC, which are not explicitly mentioned in the specification. It is the customer's responsibility and obligation to check compliance of the IC to the requirements of the application. The IC will not be designed for use as critical¹ component in medical, military or live sustaining ² applications. Any use of the IC without prior written consent of AWAIBA in such applications is prohibited.

The above mentioned warranty is the only warranty given by AWAIBA. AWAIBA expressly disclaims all other warranties, whether expressed, implied, or statutory, including, without limitation, any implied or statutory warranties of merchantability, fitness for a particular purpose, and non-infringement, and any warranty that may arise by reason of usage of trade, custom or course of dealing, and customer hereby expressly waives any such warranties.

1) A critical component is any component of a life support device or system whose failure to perform can be reasonably expected to cause the failure of the life support device or system, or to affect its safety or effectiveness.

2) Life support devices, systems or applications are devices, systems or applications which, (a) are intended for surgical implant into the body, or (b) support or sustain life, and whose failure to perform when properly used in accordance with instructions for use provided, can be reasonably expected to result in a significant injury to the user.

3 General Statements and Conventions

Info only

Text in this document between “{ info only:” and “end info}” or “{“ and “}” is for information only. Parameters and information given in this section contain background information . Performance and parameters given in these sections can not be guaranteed. No implicit nor explicit specification can be derived from these sections.

3.1 Tolerances

For all parameters, nominal value, upper, and lower bound of guaranteed specification are indicated. Parameters indicated without tolerances are for info only and can not be guaranteed.

3.2 Power supply

The lowest supply voltage in the chip is referred to as VSS. VSSxx indicates the lowest power supply voltage of a sub block xx of the circuit. All VSS power supply's have the same potential at all pins at any time. 0V is defined as being the voltage applied to the VSS pins.

The highest supply voltage of a sub block xx of the circuit is referred to as VDDxx. All pins carrying identical VDDxx power supply net labels have the same potential at any time, neglecting parasitic effects.

All voltage specifications are referred to VSS unless otherwise specified. All positive currents flow into a pin. The sinking of current means that current is flowing into a pin. The sourcing of current means that current is flowing out of a pin.

3.3 Clock specification

All timing information treated by a digital control part refers to the master clock frequency which is supplied on pin Main clk, unless otherwise specified.

3.4 Digital numbers

When ever referred to the output signal this is indicated in DN (Digital Numbers) equalling 1 unit (1LSB) of the on chip ADC. This quantity is sometimes also referred to as "grey levels".

3.5 Metric units

Unless otherwise indicated all measurements and units follow metric units. Mechanical dimensions are by default given in mm.

4 Block Diagram

The sensor features a low noise pixel with true CDS and global shutter for interleaved readout and integration operation. Each pixel has an on pixel ADC and 13bit readout register. AD conversion is made to 12.2 bits and for output clamped to 12bit to guarantee full 4096 DN signal swing. The ADC gain can be programmed in a range of -6dB till + 20 dB by means of an 8bit DAC controlled over the serial configuration interface.

The readout is made by 2 12bit wide digital taps organized in odd / even order for each 2k segment. (full 13 bit readout is possible for special purposes). For each line segment, all 2k pixels have to be read out.

For sensor versions with 3.5 μ m pixel pitch, two 2k segment readout circuits are placed on each side of the pixel line, to lead to a basic segment of 4k pixels, even pixels read out over the bottom readout, odd pixels read out over the top readout.

Start of integration, end of integration and optional start of readout are started upon individual external trigger events. To enhance dynamic range multiple non destructive readouts are possible.

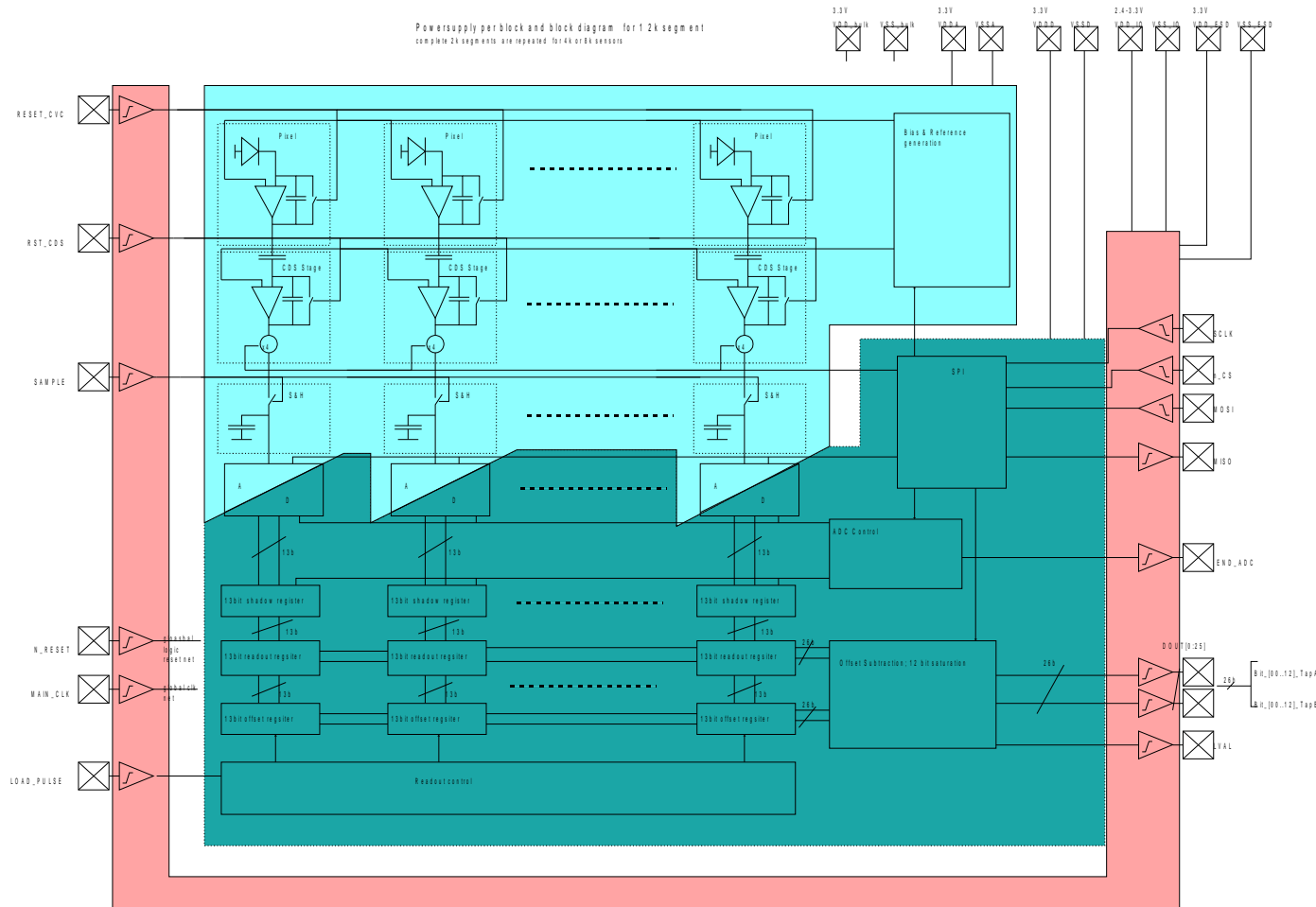


Fig 1: Block diagram of a Dragster Element

5 External Components

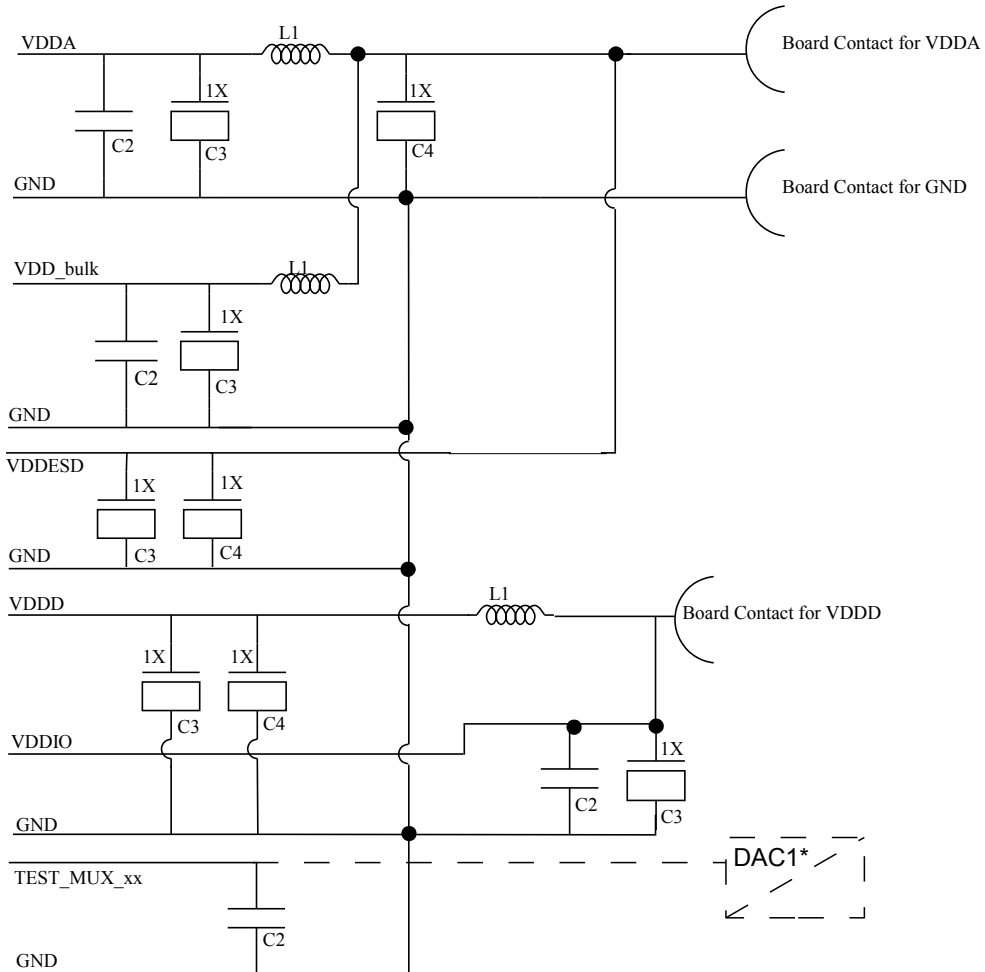


Fig 2: Recommended power supply strategy for the sensor head board. *The component DAC1 is optional

Component	Description	Nominal value	Tolerance	Voltage range
C2	Power decoupling capacitor, close to each VDDx connector pin low ESR Ceramic	10nF	+/- 25%	>3.6V
C3	Power decoupling capacitor, placed one time per power supply. Tantal type.	10uF	+/- 25%	>3.6V
C4	Power decoupling capacitor, placed one time per power supply. Tantal type.	100uF	+/- 25%	>3.6V
L1	Power decoupling inductance	10nH	+/- 25%	dimension according power consumption of respective sensor variation
C5	Additional decoupling capacitor on the outputs of TEST_MUX *	10nF	+/- 25%	>3.6V

Table 1: Recommended values for capacitors and inductances

* optional additional components 1) If the “TEST_MUX_XX_#” signals are accessible an additional capacitance should be placed in this signal and then by writing Register 0x0A with the value 0x0F the line by line offset noise is reduced significantly.

{ info only:

The external circuit schematic to be used for this solution is shown in Figure 3, where an external DAC is used to set the ADC offset (black reference) in more fine steps and possibly with better temperature stability, though for most applications the external DAC is not necessary. If the “TEST_MUX_XX_#” signals are accessible, an external DAC can be used to directly set the ADC offset. To achieve that the “TEST_MUX_XX_#” outputs should be connected and 0x0F should be written to register 0x0A in all segments. Also, make sure the DAC output impedance is higher than 200KOhm. Such DAC may permit to provide more fine tuning to the pixel black level. On chip there is an 8 bit resolution DAC for this purpose but an external ADC can provide benefit if more fine adjustment steps are required. For sensors with 3.5µm pixel or dual line sensors such DAC has to be provided for top and bottom side separately, though is not mandatory.

Once the individual DAC offset's are equalized over the external connection, the black level can be adjusted by writing the same value to the registers on each segment.

In case of sensors with readout tap's on top and bottom side different values can be written on top and bottom side SPI's in order to equalize the odd even pixels offset, respectively the line offset.

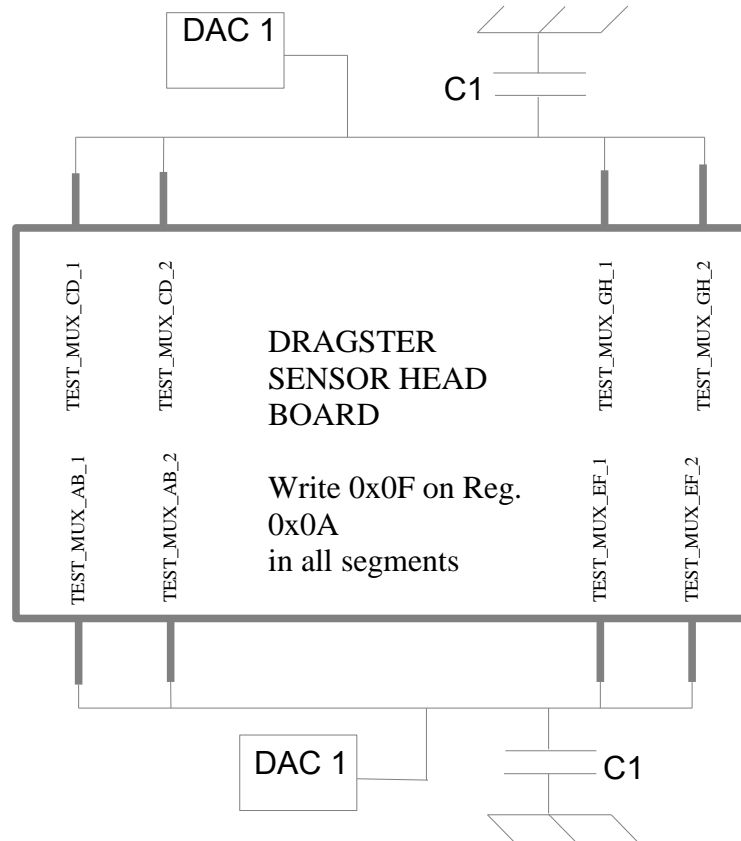


Fig 3: External components for the option to control the ADC offset by an external DAC for the case of a sensor with 4 segments.

Component	Description	Nominal value	Tolerance	Voltage range
DAC 1	Optional additional DAC on outputs of TEST_MUX	1V – 2.5V (or wider)	Output resistance < 1k Ohm Vnoise rms < 0.5mV	>3.6V

Table 2: Optional external components

In order to adjust the ADC black reference an external reference voltage is supplied via the DAC where lowering the voltages shifts the output signal to higher digital values.

Figure 4 illustrates the equivalent internal circuit when using an external DAC to set the black level reference. The load circuit the DAC sees is in parallel for as many segments are connected to the same DAC.

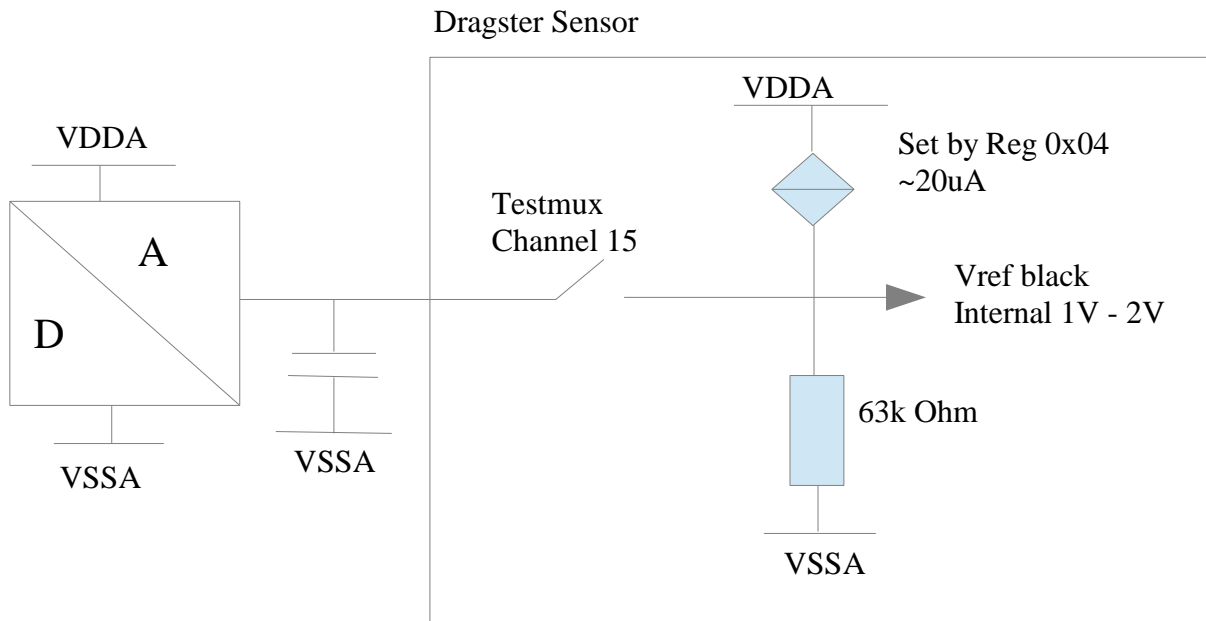


Fig 4: Equivalent load scheme for use of external DAC

: end info }

6 Electrical Description

The sensor will comply to the specifications listed in this section within the operating ranges listed in the respective section.

An applied signal must not have a deviation from the ideal signal, at the pin of the circuit, such that the circuit or the parameter under test are affected significantly.

Proper decoupling of the circuit according to chapter 5 is required. The following section defines the limits of functional operation and parametric characteristics of the circuit, and reliability. Note that functionality of the circuit outside the operating range as specified in this section is not guaranteed.

6.1 Absolute Maximum Ratings

Stresses above those listed in this clause may cause immediate and permanent device failure. Operation outside the operating conditions for extended periods may affect device reliability. It is not implied that more than one of these conditions can be violated simultaneously.

Total cumulative dwell time above the maximum operating rating for temperature must be less than 100 hours.

Symbol	Description	Min	Max	Unit
VDD	Power supply voltage (digital)	-0.3	3.6	V
VIO	Voltage on any IO	-0.3	VDDIO +0.3 or 3.6	V
IIO	DC forward BIAS current, input or output		-24 (source) +24 (sink)	mA
Tj	Junction temperature	-55	125	°C
Ta	Operating Temperature Range*	0	60	°C

Table 3: Absolute maximum ratings

*The Operating Temperature Range is regarding the ambient temperature that is more suitable for a good performance of the sensor. It is considered with no heat dissipation, since it's the environment temperature.

6.2 Electrical overstress immunity

Electrostatic discharges on component level:

The device withstands 1k Volts Human Body Model ESD pulses when tested according to MIL STD 883 method 3015.7

6.3 Latch-up immunity

Static latch-up protection level is 10mA at 25°C when tested according to EIA/JESD78.

6.4 “Power ON” Sequence

To avoid latch up problems that can create faulty operation points, the correct sequential “Power On” sequence for all devices in INVAR headboard package is:

- 1) VDDESD
- 2) VDDA
- 3) VDD_BULK
- 4) VDDD
- 5) VDDIO
- 6) ramp up signals on any inputs
- 7) release N_RESET_XX

If the control over all supplies is not possible, at least care must be taken for the sensor supplies to raise up in the following order:

- 1) VDDESD
- 2) VDD_BULK; VDDA; VDDD; VDDIO
- 3) ramp up signals on any inputs
- 4) release N_RESET_XX

For the LCC package versions, it is important that VDD ramps prior to any digital input signal.

In any condition the two following situations are to be avoided:

Fault A: any VDDx is supplied before VDDESD or to a higher value than VDDESD

Fault B: digital inputs are supplied prior to supply of VDDESD

6.5 Operating Conditions

Symbol	Description	Min	Typical	Max	Unit
VDDD	Power supply voltage (digital)	3.2	3.3	3.4	V
VDDA	Power supply voltage (analogue)	3.2	3.3	3.4	V
VDDESD	Power supply voltage ESD	3.2	3.3	3.4	V
VDDIO	Power supply voltage IO	2.4*	3.3	3.4	V
GND	Ground supply		0		V
Fclk	Input Clock Frequency	1**		85***	MHz
Duty clk	Input Clock Duty cycle up to 50MHz	45	55	70	%
Duty clk	Input Clock Duty cycle up to >50MHz	55	57	65	%
Jitter clk	Input Clock Jitter			<5% Tclk	% Tclk
Cload	Load capacitance on digital I/O's			10	pF
Tj	Junction temperature	0	27	+80	°C
VnrmsVDDD	RMS Noise on VDD digital			20	mV
VnppVDDD	Peak to Peak Noise on VDD digital			100	mV
VnrmsVDDA	RMS Noise on VDD analogue			5	mV
VnppVDDA	Peak to Peak Noise on VDD analogue			20	mV
VnrmsVDD/IO	RMS Noise on VDD I/O			20	mV
VnppVDD/IO	Peak to Peak Noise on VDD I/O			100	mV
Vil	Low level input voltage	-0.3	0	0.4	V
Vih	High level input voltage	0.8xVD D/IO	VDD/IO	VDD/IO +0.3	V
Tsetup, data in	Setup Time for digital input signals relative to rising edge of Mclk at Mclk pin	3			ns
Thold, data in	Hold Time for digital input signals relative to rising edge of Mclk st Mclk pin	3			ns
Tsetup, MOSI	Setup Time for MOSI input signals relative to rising edge of SCLK	3			ns
Thold, MOSI	Hold Time for MOSI input signals relative to rising edge of SCLK	5			ns

Table 4: Operating conditions

* VDDIO < 3.0V is not recommended for pixel_clock speeds above 40MHz and may not meet the slew rate specifications in all cases.

** Fclk can be lower than 1MHz however the ADC conversion accuracy might be reduced.

*** The ADC can be clocked with up to 100MHz for faster conversion when using clock reduction for readout.

6.6 Electrical characteristics

Current consumptions are for one segment of 2k pixels, multiples apply for higher resolution sensors.

Symbol	Description	Min	Max	Unit
V _{ol}	Low level output voltage		0.5	V
V _{oh}	High level output voltage	VDD/IO-0.6		V
I _{il}	Low level input leakage (V _i =0)		+/-1	uA
I _{ih}	High level input leakage (V _i =VDD/IO)		+/-1	uA
tslew, rising*	Output slew rate of rising edge		5	ns
tslew, falling*	Output slew rate of falling edge		5	ns
P _{tot}	Power Consumption per 2k segment		400	mW
I (VDDA)	Current to analog devices per 2k segment		50	mA
I (VDDD)	Current to Digital devices per 2k segment		30	mA
I (VDDIO)	Current for I/O per 2k segment		40	mA

Table 5: Electrical characteristics

* The output swing on signal pixel_clock (if enabled) may be smaller at pixel clock rates above 60MHz

Resulting maximum current consumption for the different chip variations

Sensor	I(VDDA) / mA	I(VDDD) / mA	I(VDDIO) / mA *	Ptot /mW ** (total power consumption)
DR-2k-7-Invar	50	30	40	400
DR-4k-3.5-Invar	100	120	80	800
DR-2x2k-7-Invar	100	120	80	800
DR-4k-7	100	60	80	800
DR-6k-7	220	90	120	1420
DR-8k-7	260	150	160	1850
DR-8k-3.5	200	120	160	1600
DR-16k-3.5	520	320	160	3500
DR-2x4k-7	200	120	160	1600
DR-2x8k-7	500	240	320	3500

Table 6: Power consumption for Dragster Invar package

Sensor	I(VDDA) / mA	I(VDDD) / mA	Ptot /mW ** (total power consumption)
DR-2k-7-LCC	75	65	460
DR-4k-3.5-LCC	240	170	920
DR-2x2k-7-LCC	240	170	9200

Table 7: Power consumption for Dragster LCC package

* @ 10pF

** At VDDIO = 3.3V 46MHz Clod dig 10pF 20% I/O activity

6.7 Optical characteristics DR-2k-7, DR-4k-7, DR-6k-7, DR-8k-7

Parameter	Min	Typ/ Target	Max	unit
Pixel size		7 x 7		µm
Pixel pitch in x direction		7		µm
Number of dark pixels in most left segment		32		pixels
Fill Factor		100		%
Quantum efficiency at 630nm	50	60	70	%
Full Well capacity (4)	30	46	65	ke-
Total System Gain K		0.076		DN/e-
DSNU rms (1;5)		4	10	DN/12bit
Responsivity (1)		77		DN/nJ/cm2 (@12bit)
Responsvity analogue gain 4x (6)		310		DN/nJ/cm2 (@12bit)
PRNU rms (1;5)		0.7%	3%	% (full scale)
PRNU pp (1; 5)		4%	8%	% (full scale)
ADC Programmable gain	-6		20	dB
ADC gain resolution		8		bit
Blooming overload tolerance	100x	infinite		
Lag		0	0.01	%
Crosstalk (optical & electrical)		2	5	%
Exposure time range	2		infinite	us
Temporal noise Dark rms (2)*		1.5	4	DN/12bit
Dark noise electrons rms (2)*		22		e-
NEE (noise equivalent energy) unity gain (1)		0.02		nJ/cm2
Temporal noise Dark rms gain 4x (6)*		2.9	5	DN/12bit
Dark noise electrons rms gain 4x (6)*		7		e-
NEE (noise equivalent energy) analogue gain x4 (6)*		0.01		nJ/cm2
Non Linearity (3)		2	5	%
Dark current @27C		3	50	e-/ms
Maximum Line Rate			80	kScan/s
ADC Resolution		12 (13)**		bit
Number of output taps		2 per 2k segment		
Configuration Interface (1 interface / 2k segment)		Serial 4 line		
Integration control		Asynchronous, with 6 digital signals		
Trigger delay			1	us
Integration & Readout		Interleaved		

Table 8: Optical characteristics for DR-2k-7, DR-4k-7, DR-6k-7, DR-8k-7

- (1) $T_{int}=10\mu s$, Unity gain (CDS_gain = 0 \rightarrow x1; Inverse ADC gain = 0x20h)
- (2) $T=27^{\circ}C$, $T_{int}=20\mu s$, Unity gain (CDS_gain = 0; \rightarrow x1 Inverse ADC gain = 0x20h)
- (3) Measured in % deviation from full scale signal for the signal range of 5% - 95% (according to EMVA1288 proposal for linearity measurement)
- (4) At unity gain (CDS_gain = 0 \rightarrow x1; Inverse ADC gain = 0x20h; end counter 128 (4096 ADC levels))
- (5) Ramp offset and ramp gain must be adjusted for all segments to match with each other.
- (6) $T=27^{\circ}C$, $T_{int}=20\mu s$, Unity gain (CDS_gain = 1; \rightarrow x4 Inverse ADC gain = 0x20h)

* {info only: temporal noise can further be reduced by subtracting from each line the average value of the dark reference pixels, which will reduce temporal noise components coupled over the supply at frequencies below the line rate. :end info}

*** internal ADC resolution is 13bit.

6.8 Optical characteristics DR-2x2k-7, DR-2x4k-7, DR-2x8k-7

Parameter	Min	Typ/ Target	Max	unit
Pixel size		7 x 7		µm
Pixel pitch in x direction		7		µm
Number of dark pixels in most left segment		2x32		pixels
Fill Factor		100		%
Quantum efficiency at 630nm	50	60	70	%
Full Well capacity(4)	30	46	65	ke-
Total System Gain K		0.076		DN/e-
DSNU rms (1;5)		4	10	DN/12bit
Responsivity (1)		77		DN/nJ/cm2 (@12bit)
Responsvity analogue gain 4x (6)		310		DN/nJ/cm2 (@12bit)
PRNU rms (1;5)		0.7%	3%	% (full scale)
PRNU pp (1; 5)		4%	8%	% (full scale)
ADC Programmable gain	-6		20	dB
ADC gain resolution		8		bit
Blooming overload tolerance	100x	infinite		
Lag		0	0.01	%
Crosstalk (optical & electrical)		2	5	%
Exposure time range	2		infinite	us
Temporal noise Dark rms (2)*		1.5	4	DN/12bit
Dark noise electrons rms (2)*		22		e-
NEE (noise equivalent energy) unity gain (1)		0.02		nJ/cm2
Temporal noise Dark rms gain 4x (6)*		2.9	5	DN/12bit
Dark noise electrons rms gain 4x (6)*		7		e-
NEE (noise equivalent energy) analogue gain x4 (6)*		0.01		nJ/cm2
Non Linearity (3)		2	5	%
Dark current @ 27C		3	50	e-/ms
Maximum Line Rate 2:1 TDI mode			80	kScan/s
Maximum Line Rate dual line mode			160	kScan/s
ADC Resolution		12 (13)***		bit
Number of output taps		4 for each 2x2k pixels segment		
Configuration Interface (1 interface for each line and each 2k segment)		Serial 4 line		
Integration control**		Asynchronous, with 6 digital signals		
Trigger delay			1	us
Integration & Readout		Interleaved		

Table 9: Optical Characteristics for DR-2x2k-7, DR-2x4k-7, DR2x8k-7

- (1) Tint = 10us, Unity gain (CDS_gain = 0 -> x1; Inverse ADC gain = 0x20h)
- (2) T = 27°C , Tint = 20us, Unity gain (CDS_gain = 0; -> x1 Inverse ADC gain = 0x20h)
- (3) Measured in % deviation from full scale signal for the signal range of 5% - 95% (according to EMVA1288 proposal for linearity measurement)
- (4) At unity gain (CDS_gain = 0 -> x1; Inverse ADC gain = 0x20h; end counter 128 (4096 ADC levels))
- (5) Ramp offset and ramp gain must be adjusted for all segments to match with each other.
- (6) T=27°C , Tint=20us, Unity gain (CDS_gain = 1; -> x4 Inverse ADC gain = 0x20h)

* {info only: temporal noise can further be reduced by subtracting from each line the average value of the dark reference pixels, which will reduce temporal noise components coupled over the supply at frequencies below the line rate. :end info}

** each line can be triggered individually.

*** internal ADC resolution is 13bit.

6.9 Optical characteristics DR-4k-3.5, DR-8k-3.5, DR-16k-3.5

Parameter	Min	Typ/ Target	Max	unit
Pixel Size (x,y)		3.5x3.5		µm ²
Pixel Pitch in x direction		3.5		µm
Number of dark & special pixels in most left segment		64		pixels
Fill Factor		100		%
Quantum efficiency at 630nm	50	56	70	%
Full Well capacity(4)	15	23	35	ke-
DSNU rms (1;5)		4	10	DN/12bit
Responsivity (1)		39		DN/nJ/cm ² (@12bit)
Responsivity CDS gain 4x (6)		155		DN/nJ/cm ² (@12bit)
PRNU rms (1;5)		0.8	3	% (full scale)
PRNU pp (1; 5)		4	10	% (full scale)
ADC Programmable gain	-6		20	dB
ADC gain resolution		8		bit
Blooming overload tolerance	100x	infinite		
Lag		0	0.1	%
Crosstalk (optical & electrical)		2	5	%
Exposure time range	1		infinite	us
Temporal noise Dark rms (2)*		1.6	5	DN/12bit
NEE (noise equivalent energy) unity gain (1)		0.04		nJ/cm ²
Temporal noise Dark rms gain 4x (6)*		3.4	6	DN/12bit
NEE (noise equivalent energy) analogue gain x4 (6)		0.02		nJ/cm ²
Non Linearity (3)		2	5	%
Maximum Line Rate			80	kScan/s
ADC Resolution		12 (13)**		bit
Number of output taps		4per 4k pixel segment		
Configuration Interface (2 Interfaces for each 4k pixel segment)		Serial 4 line		
Integration control		Asynchronous, with 4 digital signals		
Trigger delay			1	us
Integration & Readout		Interleaved		

Table 10: Optical characteristics DR-4k-3.5, DR-8k-3.5, DR-16k-3.5

- (1) $T_{int}=10\mu s$, Unity gain ($CDS_gain = 0 \rightarrow \times 1$; ADC ramp = 29)
- (2) $T=27^{\circ}C$, $T_{int}=20\mu s$, Unity gain ($CDS_gain = 0$; $\rightarrow \times 1$ ADC ramp = 29)
- (3) Measured in % deviation from full scale signal for the signal range of 5% - 95%
(according to EMVA1288 proposal for linearity measurement)
- (4) At unity gain ($CDS_gain = 0 \rightarrow \times 1$; ADC ramp = 29; end counter 128 (4096 ADC levels))
- (5) Ramp offset and ramp gain must be adjusted for all segments to match with each other
Placement of pixels
- (6) $T=27^{\circ}C$, $T_{int}=20\mu s$, Unity gain ($CDS_gain = 1$; $\rightarrow \times 4$ ADC ramp = 29)

* {info only: temporal noise can further be reduced by subtracting from each line the average value of the dark reference pixels, which will reduce temporal noise components coupled over the supply at frequencies below the line rate. :end info}

**internal ADC resolution is 13bit.

6.10 Dragster Relative Spectral Response

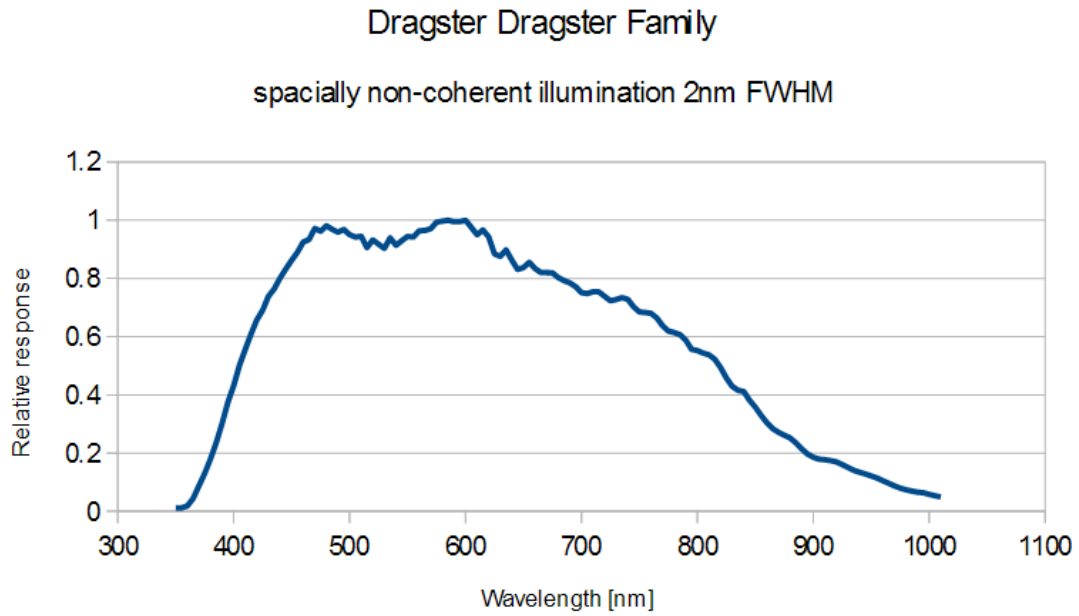


Fig 5: Dragster Relative Spectral Response measured according EMVA1288.

6.10.1 Filter transmission for RGB Bayer pattern sensor versions

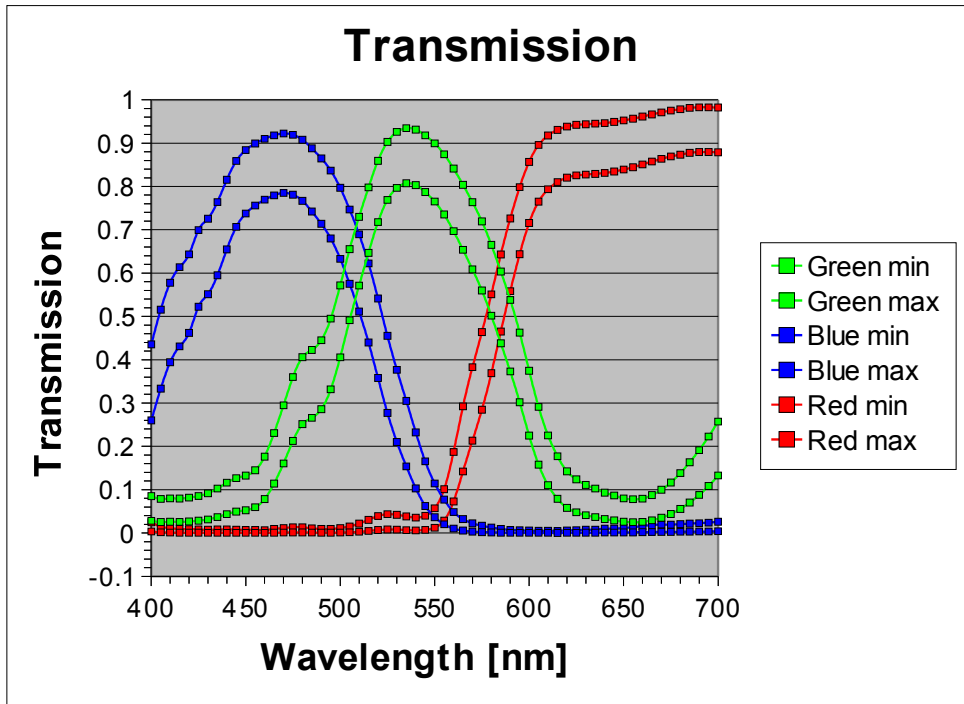


Fig 6: Spectral transmission of colour filters

6.10.2 Color filter arrangement for RGB Dragster versions

On the dual line Dragsters there's the possibility to have RGB filters that are organized in both lines as shown in the next figure.

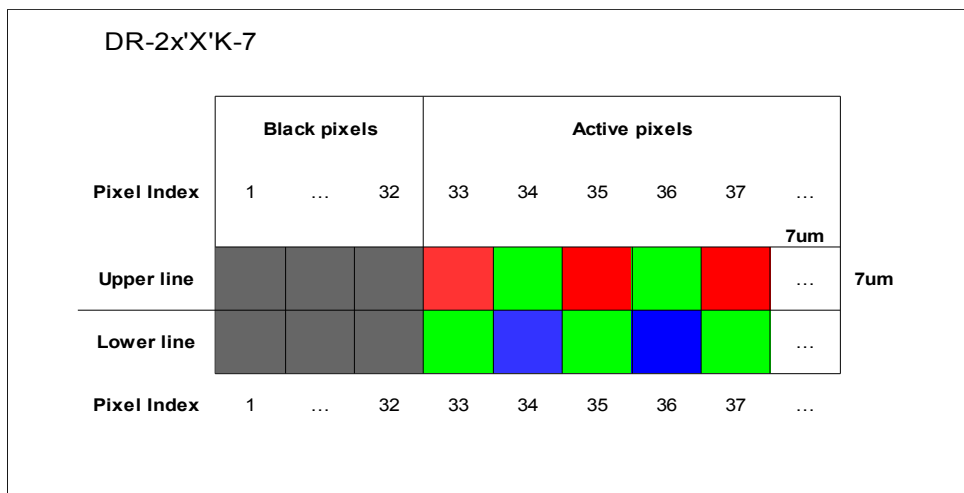


Fig 7: Color filter arrangement on Dragster dual line sensors

6.11 Placement of pixels DR-Xk-7

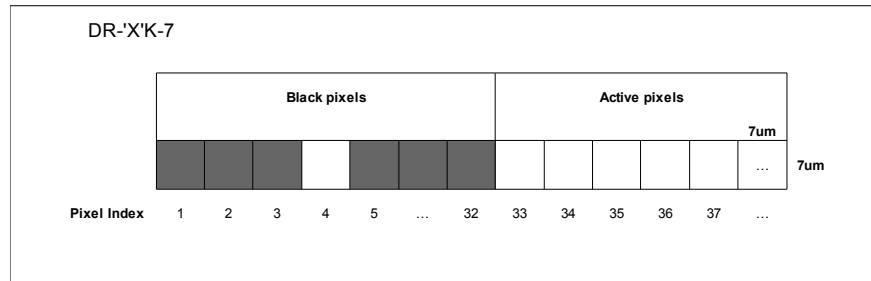


Fig 8: Placement of pixels sensors with 7um pixel pitch

6.11.1 Test & special pixels DR-Xk-7

The first 32 pixels include not only dark pixels but also special pixels like described:

1. The output from the first pixel is directly connected to the pad 1.*
2. The output from the second pixel is directly connected to the pad 2.*
3. The third pixel is a black pixel, electrically fixed to ADC low saturation
4. The fourth pixels is a white pixel, electrically fixed to ADC high saturation
5. The pixels 5 - 24 are normal pixels however the photo diode is covered by a metal light shield. They serve as a dark reference. However at longer wavelengths the metal shield will not completely shield light any more.
6. The pixels 25 -32 are electrical black pixels. In these pixels the photo diode is disconnected electrically from the readout chain. These pixels will follow all analogue and digital offset variations, however not integrate dark current or any photo current. They can be used check the validity of the dark pixels 5 - 24, or to compensate for line by line ADC offset variations.

These pixels are light sensitive. The respective outputs are connected to a test point on the head board for debugging purpose in certain package variations.

6.12 Placement of pixels DR-Xk-3.5

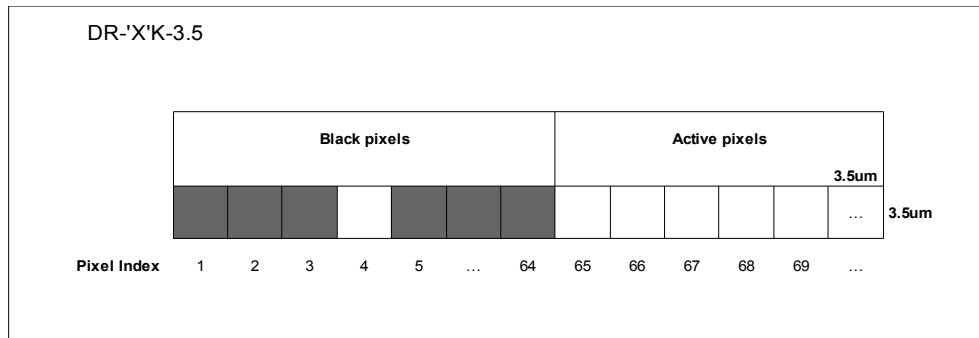


Fig 9: Placement of pixels sensor variations with 3.5µm pixel pitch

6.12.1 Test & special pixels DR-Xk-3.5

The first 64 pixels include not only dark pixels but also special pixels like described:

1. The output from the first & second pixels are directly connected to the pad 1 of the most left segments on top and bottom.*
2. The output from the third and fourth pixels are directly connected to the pad 2 of the most left segments on top and bottom.*
3. The fifth and sixth pixels are a black pixel, electrically fixed to ADC low saturation
4. The seventh and eighth pixels are white pixel, electrically fixed to ADC high saturation
5. The pixels 9 - 48 are normal pixels however the photo diode is covered by a metal light shield. They serve as a dark reference. However at longer wavelengths the metal shield will not completely shield light any more.
6. The pixels 49 - 64 are electrical black pixels. In these pixels the photo diode is disconnected electrically from the readout chain. These pixels will follow all analogue and digital offset variations, however not integrate dark current or any photo current. They can be used check the validity of the dark pixels 9 - 48, or to compensate for line by line ADC offset variations.

* These pixels are light sensitive. The respective outputs are connected to a test point on the head board for debugging purpose in certain package variations.

7 Functional Description

7.1 General sensor description

Sensors with 3.5µm pixels are structurally identical to sensors with 7µm pixel. However for the sensor with 3.5µm two independent readout blocks are placed, one on top of the sensor line, which reads out odd pixels and one at the bottom of the sensor line which reads out even pixels. Thus for sensors with 3.5µm pixels two independent segments are always placed together to form a segment with double resolution compared to the segment with 7µm pixel. Thus for sensors with 3.5µm pixel all pixel numbers indicated further in this section are double compared to the 7µm sensor variations.

The sensor is built of a line of 2080 pixels. The first 32 pixels counting from the left are designated as Black pixels, and are used to have a reference for dark current and signal offsets, the remaining 2048 are the normal pixels, responsible for the image. For readout each 2k segment is completely independent. This can be exploited to align the readout of the light sensitive pixels from each segment. To do so, the readout is started in the most left segment 16 Pixel clock cycles earlier than the more right segments. The individual start of readout for different segments can also be exploited to reduce the required signal bandwidth by sequentially addressing the SRAM blocks of different 2k segments and multiplexing the data lines.

The analogue voltage references, especially the references to define the ADC start voltage and the ADC gain are interconnected along the sensor line, however remain individual for odd and even pixels in the case of 3.5µm pixels. However each segment comprises an individual SPI block to configure these voltages. Normally it is recommended to program the registers controlling an interconnected voltage with the same settings. See figure 10 and 11 to illustrate how analogue voltages are interconnected over multiple segments and controlled over the respective SPI interfaces for sensors with 7µm and 3.5µm pixel pitch respectively.

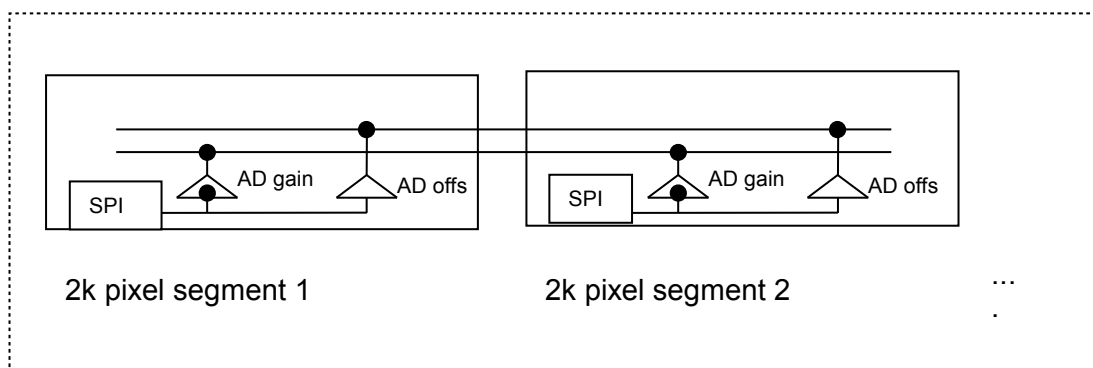


Fig 10: Interconnection of ADC reference voltages in case of 7µm pixel pitch sensors with multiple segments

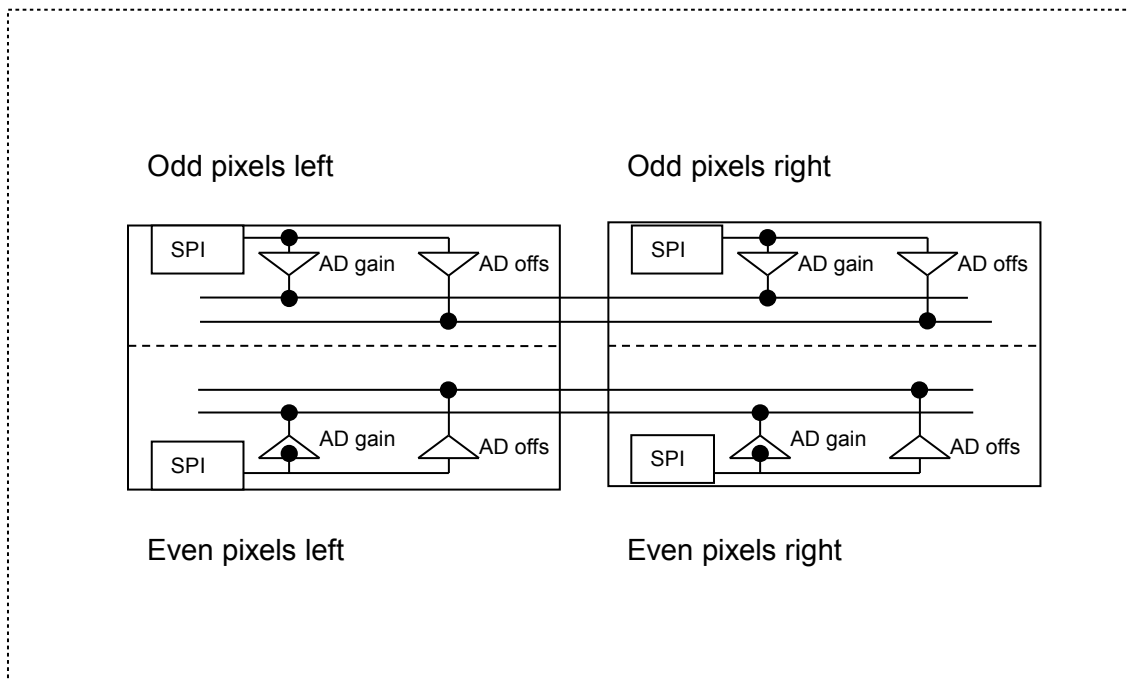
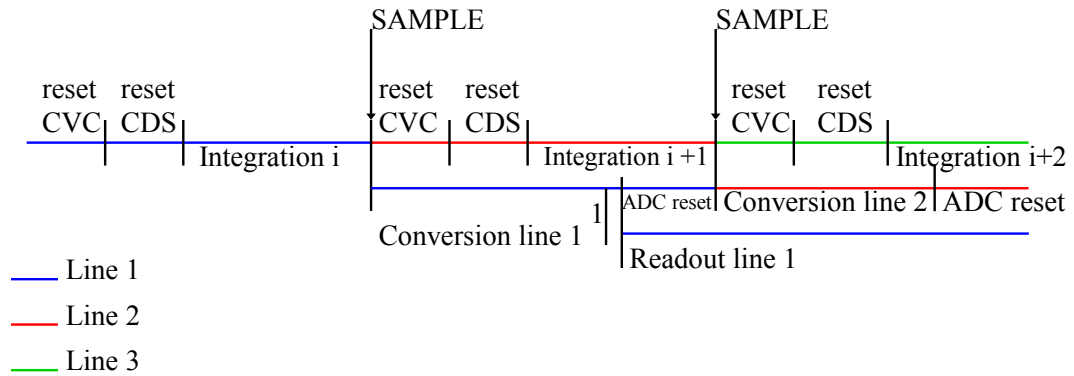


Fig 11: Interconnection of ADC reference voltages in case of 3.5 μ m pixel pitch sensors with multiple segments

The sensor features a 13 bit ramp ADC with programmable conversion gain and end range stage. The on chip digital control circuit generates all necessary control for conversion and the readout modes. However the readout of a new line can be triggered over an external signal if required. The ADC conversion range (maximum number of bit's can be programmed over the serial interface. Higher conversion range requires longer ADC conversion time.

The sensor enables interleaved integration, A/D conversion and readout, therefor the overall pipeline delay is 2 minimum line times.

Dragster readout pipeline delay overview



1 - Transfer from Shadow to Readout Register

Fig 12: Overview of pipelined integration ADC and readout sequence

7.1.1 Functional description Dragster Pixel

The Dragster line scan sensors features a highly sophisticated pixel, which provides true CDS capability for elimination of reset noise. Other features include programmable analogue gain, anti “blooming” circuit and anti “corona” that can be activated by register configuration. Each pixel features a sophisticated highly programmable ADC and two 13 bit wide memory benches. The first bench is used to hold the value of the last AD conversion ready for readout while the other is used to hold a black reference value which can be subtracted from the read out signal. Pixels integration, AD conversion and line readout can be made fully pipelined so that line rate is limited by the longest operation and not by the sum of all three.

An overview of the most important blocks of the analogue part and their functionality as well as the register bit's which control the features are described in the subsequent sections:

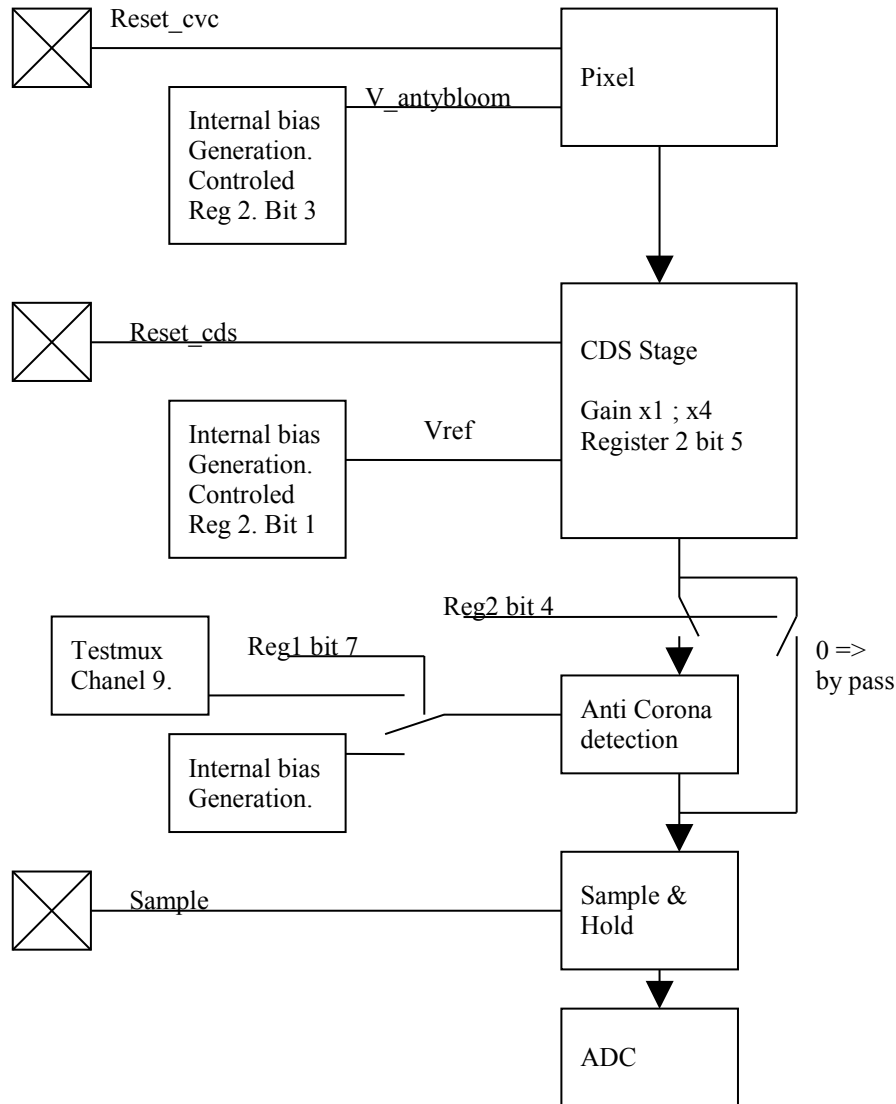


Fig 13: Overview of the functional blocks for the analogue part of the pixel

7.1.1.1 Anti Blooming circuitry

“Blooming” is a phenomena observed when a single pixel is heavily over exposed and saturates. Photo generated charges then tend to spill in neighbouring pixels. This is prevented by an internal circuit, which will drain charges when the pixel is saturated and prevent them from spilling into neighbouring pixels. This circuit is controlled by Register 2 Bit 3. 0 should be used for most applications, as it grants the largest linear signal range. Under extreme over exposure conditions this bit can be set to 1, which will start draining excessive charges earlier.

7.1.1.2 Anti corona circuitry

“Corona effect” is a phenomena sometimes observed under heavy overexposure condition when the most exposed pixels start to become dark again instead of white. This condition can be detected by a special circuitry and saturated pixels are then clamped to the white reference value before AD conversion. This circuitry can be enabled or bypassed by means of register 1 bit 7. 0 will disable the anti corona circuitry and bypass the signal, while 1 will enable it.

7.1.1.3 Analogue Gain

The pixel features a programmable analogue gain of factor x4. This gain is controlled by Register 2 bit 5. 0 uses unity gain, 1 uses a gain of x4.

7.1.1.4 CDS reference generation

The reference voltage for all CDS stages is generated in parallel by the internal bias generation block. The power consumption of the driver to this voltage can be regulated by means of register 2 bit 1. A Value of 1 will use an adaptive bias scheme to the buffer for this voltage, which will reduce power consumption when this driver is not used. 0 will chose a fixed bias value, which will result in a higher over all consumption.

{info only: The reference voltage of the CDS stage is sampled at start of integration for each line, and thus influences the finally digitized analogue value. Any noise on this signal obviously also influences the final signal value because noise will be added equally to all pixels in the line. For ultimate noise performance it's advised to compute the average of the first dark pixels 16th to 20th and subtract this value from the finally read out pixels for each line. This computation has to be done off chip, but will lead to noise performance better than the one specified : end info}

7.1.1.5 Pixel Level ADC

Each pixel features a sophisticated multi stage ADC, which minimizes the offset and gain error between individual pixels and segments. The physical block diagram of the ADC and a description of the main functional modes is given in figure 14.

For a high resolution, low noise ADC functionality, the ADC is made such that the critical analogue blocks can run at relatively low speed. Besides the inherently high quality of the ADC, the homogeneity is further be increased by using on chip digital offset cancellation.

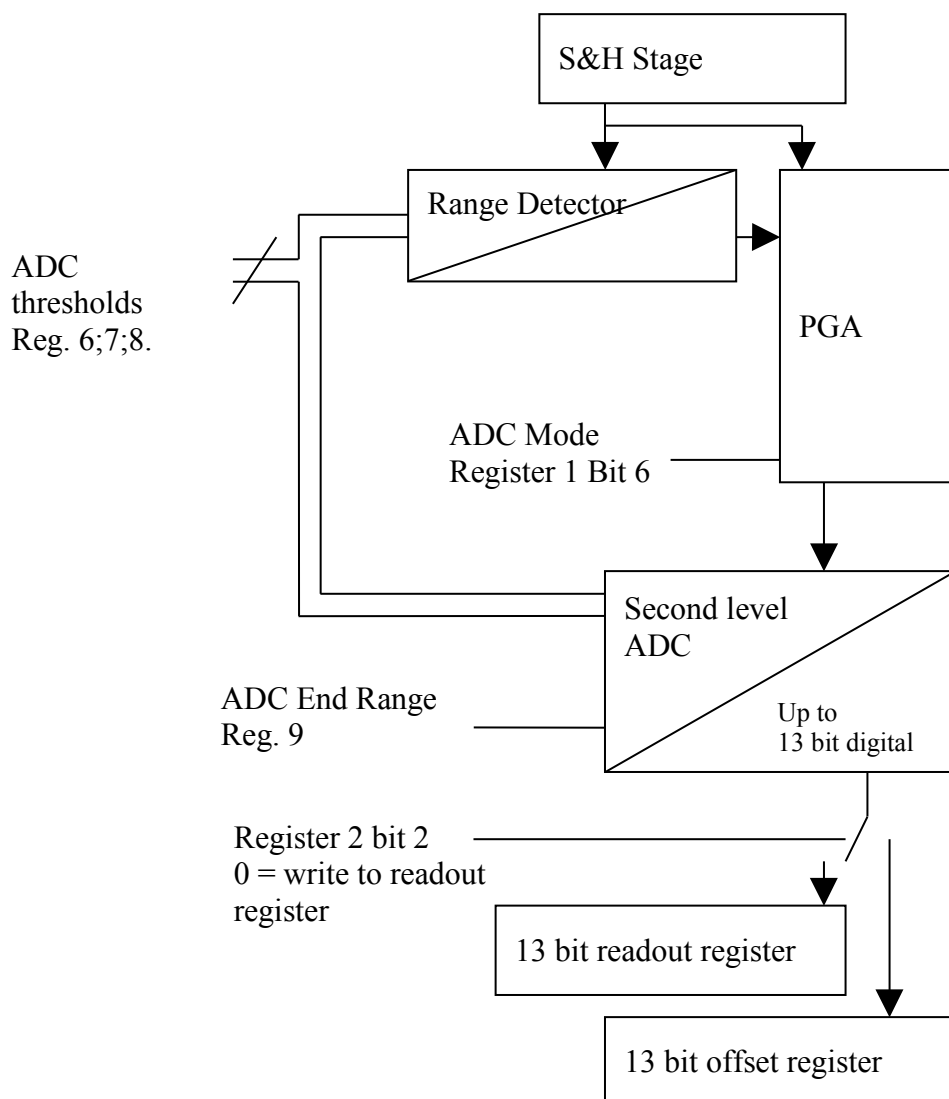


Fig 14: Functional block diagram of the pixel level ADC

The ADC features two modes of operation: "linear" AD conversion and "companding" AD conversion. On linear conversion the ADC will require as many clock cycles as the register

programmed ADC end of range. See figure 15 for a diagram of the ADC linear response function and the effect of the different registers on the transfer function.

Note: *It is important to program the End of range according to the pixel data bit width. If digital saturation logic is not enabled in the register 1 bit 5, ADC end range is above 4095 and only 12 LSB's are read out, this can create signal “wrap around” artefacts when the pixel value is over 4095.*

In order to reduce the ADC conversion time comparing to readout time and keep the ADC in linear mode, the converter can be operated at a higher clock frequency than the remaining circuitry. This is done by directly supplying the higher clock frequency to the chip main clock and programming the internal clock divider (Register 1 bits 0 and 1) such that the clock frequency in chip's readout remains below 50MHz.

An alternative to running the ADC at higher clock rate is to use the ADC's “companding” mode. As for an optical signal, the photon shot noise increases with signal level, a very small quantization step is only required at the very low signal values. For higher impinging optical signals the ADC quantization step can be increased such as to match the shot noise present in the light signal. This may significantly reduce the total ADC time required to generate a 12 bit value, while no information is lost. See figures 16 and 17 for an illustration of the “companding” ADC mode and the registers involved in programming it's response function.

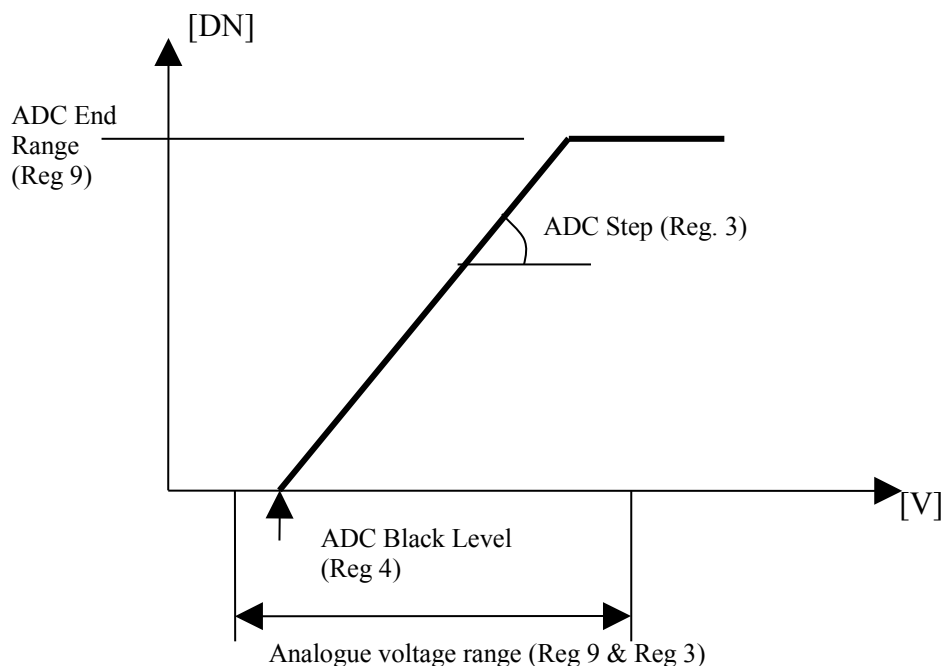


Fig 15: ADC transfer function in linear mode and registers defining the ADC parameters

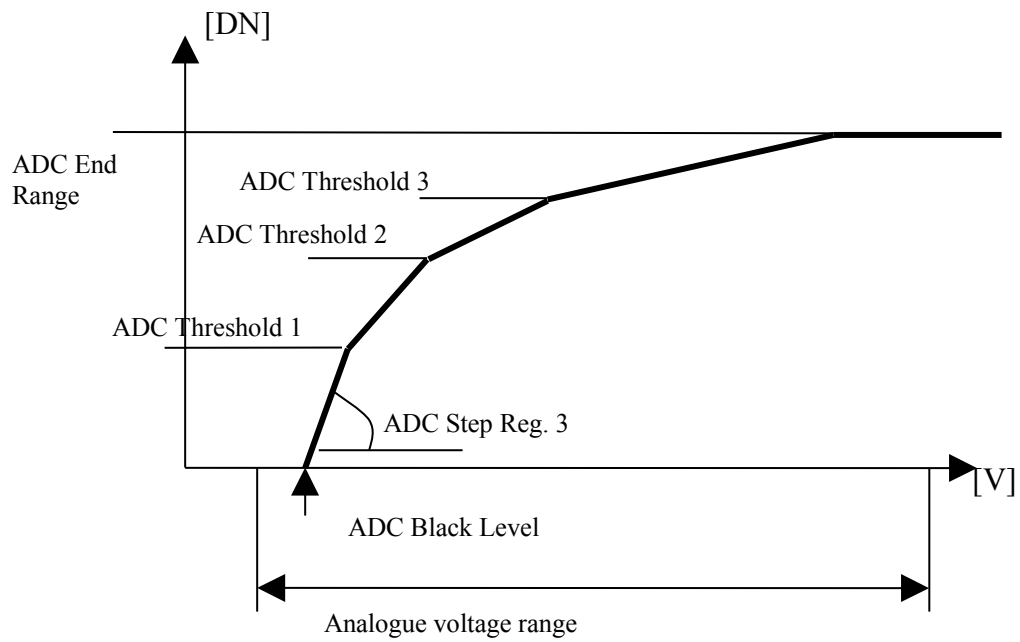


Fig 16: ADC transfer function in companding mode

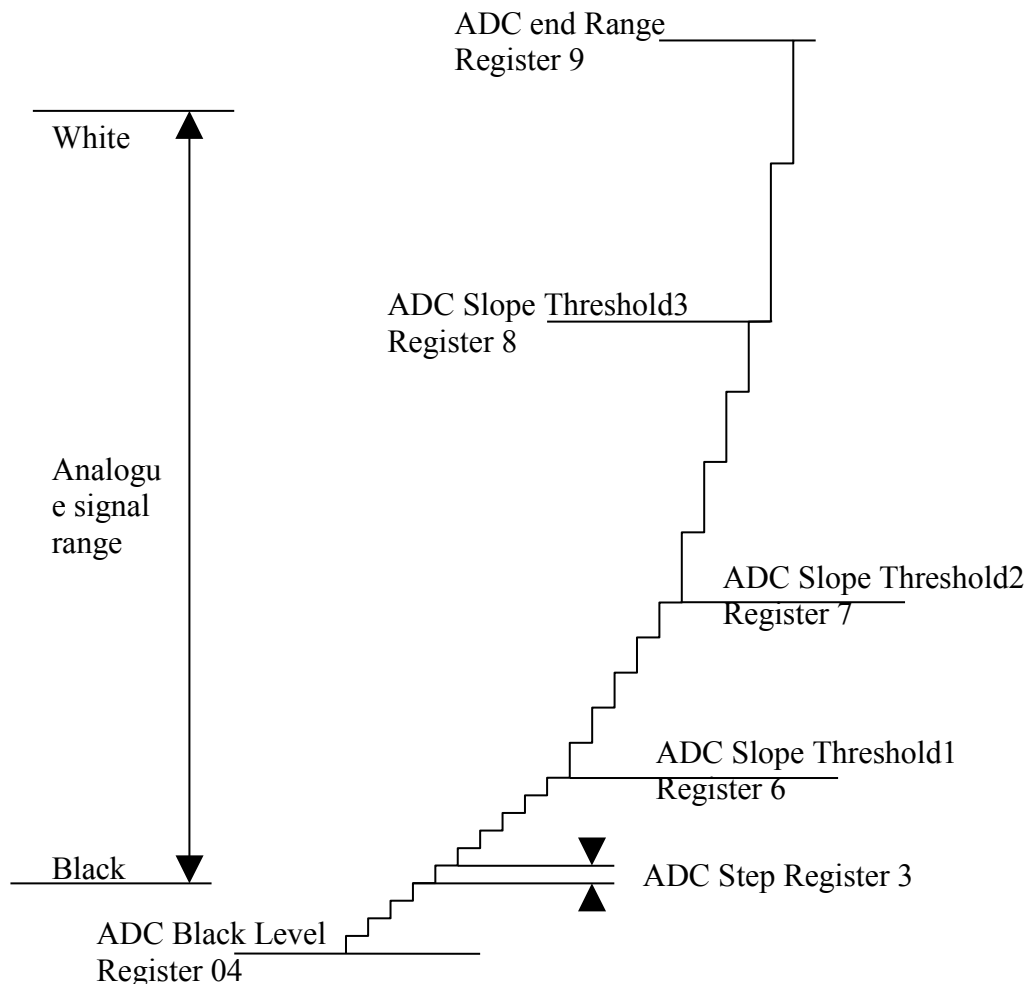


Fig 17: Adaptation of the ADC conversion step in companding ADC mode

When using “companding” ADC mode to reduce conversion time it is possible to still produce a linear sensor output by enabling on chip digital re-linearization circuitry (Register 5 bit 1). When using on chip re-linearization, the histogram will show missing codes in the range where the ADC was working in companding mode that can be corrected by enabling on chip "Dithering" (Register 1 bit 3).

Note: *When using the ADC in “companding” mode, it is important to program the 3 thresholds strictly monotonously increasing, and smaller than the “end range “ value. Otherwise the ADC will not function correctly and produce strongly distorted output signals.*

7.1.1.6 Digital Readout concept

The pixel level ADC signal is stored in an SRAM bench, with 13bit's for offset and 13 bit's for signal value. At signal readout, the digital offset cancellation features should be enabled however, to save digital power, this feature can be disabled and the direct output value of the ADC can be read out.

Note: *When switching on digital offset subtraction, it is important, that firstly the offset SRAM block is powered on (Register 5, bit 2) and that a proper offset reference is stored in the SRAM bench.*

The digital readout of the Dragster sensor is triggered by a signal “load_pulse”. This signal can either be provided externally or be generated internally (register 2 bit 0) at the earliest possible time based on the state of the integration time controlling signals (rest_cvc; reset_cds; sample) and the programmed ADC end range. When the sensor receives an external load pulse, readout is started from the most left pixel to the right on each segment. An LVAL signal is generated to indicate valid pixel data. While reading out data, it can be chosen to read out pixels directly from the “readout register” or to readout the “readout register” and the “offset register” from the SRAM bench simultaneously and to subtract offset from the readout value on chip. This process requires a valid offset that must have previously been stored in the offset register.

When using offset subtraction, a saturation logic can be enabled by means of register 1 bit 5. This logic permits to work with signal values above 4096, such that after subtraction of the black level still full 12 bit data is available.

7.2 Configuration Bit Overview

Mode signal	Value	Description	Register control bit
ADC_mode_bit	0	If mode bit is set to zero, linear ADC conversion is used	Register #1 bit #6
	1	Companding AD conversion mode	
Re-linearization	0	No on chip re-linearization of companding ADC mode is computed	Register#5 bit #2
	1	In companding mode the response is re-linearized on chip prior to signal output	
dithering	0	No Dithering	Register #1 bit #3
	1	Dithering is used when using on chip militarization to avoid missing codes in histogram.	
en_sat	0	The digital saturation is not enabled, so the output from the subtracter will not be saturated. If the subtraction result is larger than 12 bit, the 13th bit must be read out to avoid "wrap around"	Register #1 bit #5
	1	Digital Saturation is enabled, the output after offset subtraction will be set to 4096, when ever the results is higher or equal than 4096	
offset subtraction	0	The digital offset is not subtracted from the read value.	Register #1bit #4
	1	The value stored in the offset register is subtracted from the readout signal. Note: In order to work with offset Subtraction the offset SRM must be powered on. (Register 5 bit 2)	
writing offset	0	not active, values of the AD conversion go to the readout registers	Register #2 bit #2
	1	When active, a new value is written to the offset registers. Note: prior to write an offset reference value to the offset SRAM the offset SRM must be powered on. (Register 5 bit 2)	
Enable offset	0	Offset SRAM in power down mode	Register #5 bit #2

Mode signal	Value	Description	Register control bit
SRAM	1	Offset SRAM is active	Register #1 bit #1 and bit #2
	00	readout clock set to Mclk	
	01	readout clock set to Mclk/2 ADC clk remains at MCLK	
	10	readout clock set to Mclk/4 ADC clk remains at MCLK	
	11	do not use, clock not generated	
Pixel clock output enable	0	No pixel clock is given out. (output pad in tristate)	Register # 5 bit #0
	1	Pixel clock is given out	
en_anti_blooming	0	anti blooming feature off	Register #2 bit #3
	1	anti blooming feature on	
en_control_vref	1	Vref comparator bias in adaptive power mode. (use this configuration)	Register #2 bit #1
	0	Vref comparator bias is in constant low power mode. (do not use)	
auto_gen_load_pulse	0	The pulse for readout has to be provided externally	Register #2 bit #0
	1	The pulse for readout is generated internally, immediately after completed AD conversion. (multiple readouts of the same data occur if no new AD conversion has been started after finalization of the line readout.	
en_white_clamp (anti corona)	0	The white clamp is not active	Register #2 bit #4
	1	The clamping of white values set. White clamp is used to avoid contrast inversion of heavily over exposed scenes. (corona effect)	
vthr_bit	0	Do not use, write 0.	Register #1 bit #7
	1	The threshold voltage for the white clamping is given internally	
analog_gain	0	No analog gain (x1) in the CDS	Register #2 bit #5
	1	Analog gain (x4) in the CDS	

7.3 Register definition

Every internal status of the sensor will be controlled by the serial interface and be written to the internal registers. All registers are 8bit oriented, the unused bits on a register will set to 0 and reserved for future use.

7.3.1 CONTROL register 1

Address : 0x01
Operation: R/W
Reset Value: 0xA8

<i>0X01</i>	<i>Bit 7</i>	<i>Bit 6</i>	<i>Bit 5</i>	<i>Bit 4</i>	<i>Bit 3</i>	<i>Bit 2</i>	<i>Bit 1</i>	<i>Bit 0</i>
Description	Vthr bit	ADC mode bit	Enable saturation	Offset subtraction	Dithering	Clock division 2	Clock division 1	Update request
@reset	1	0	1	0	1	0	0	0

Bit 0 – Update_request

In order to activate a set of new register values uploaded over SPI, this bit has to be set to 1. Register data does not change unless this bit was set to 1 and a rising edge of end_adc occurred. When this bit is set, at the next rising edge of "end_adc" signal the register values are updated.

Bit 1/2 – Clock Division 1 / 2

This bits are responsible for the definition of readout clock (pixel clock), the different values are presented on the following table:

Bit 2	Bit 1	Description
0	0	readout clock set to Mclk
0	1	readout clock set to Mclk/2 ADC clk remains at MCLK
1	0	readout clock set to Mclk/4 ADC clk remains at MCLK
1	1	do not use, clock not generated

Bit 3 – Dithering

This bit is enables the on chip "Dithering" logic to avoid missing codes in the output histogram when on chip re-linearization is used in combination with companding ADC mode.

Set to '0' – Dithering deactivated

Set to '1' – Dithering activated

Bit 4 – Offset Subtraction

Set to '0' – The digital offset is not subtracted from the read value.

Set to '1' – The value stored in the offset register is subtracted from the readout signal.

NOTE: *If this bit is turned on, the Bit 2 in Control Register 3 (Reg 0x05) "Enable Offset SRAM" must be set to 1.*

Bit 5 – Enable Saturation

Set to '0' – The digital saturation is not enabled, so the output will cover full 13 bit. If only 12 bit are read out "wrap around" error may occur if end_adc range is not properly configured.

Set to '1' – Digital Saturation is enabled, the output will be saturated to the 12 LSB's. **NOTE:** *the 13th bit should be ignored if on chip saturation is enabled, it holds an overflow identification flag in this case*

Bit 6 – ADC mode bit

Set to '0' – Linear ADC conversion is used.

Set to '1' – Companding ADC conversion is used.

Bit 7 – Vthr bit

Set to '0' – Do not use, write 1. (Test purposes only)

Set to '1' – The threshold voltage for the white clamping is given internally.

7.3.2 CONTROL register 2

Address : 0x02

Operation: R/W

Reset Value: 0x12

0X02	Bit 7	Bit 6	Bit 5	Bit 4	Bit 3	Bit 2	Bit 1	Bit 0
Description	Not used	Not used	Analogue gain	Enable white clamping	Enable anti blooming	Write Offset	Enable Control Vref	Auto Gen load Pulse
@reset	0	0	0	1	0	0	1	0

Bit 0 – Auto Gen Load Pulse

Set to '0' – The pulse for readout has to be provided externally.

Set to '1' – The pulse for readout is generated internally, immediately after completed AD conversion and once the LVAL of the previous line readout is back to 0.

Bit 1 – Enable Control Vref

Set to '0' – Vref buffer bias is in constant power mode. (not recommended)

Set to '1' – Vref buffer bias in adaptive power mode.

Bit 2 – Write Offset

Set to '0' – Not active, values of the AD conversion go to the readout registers.

Set to '1' – When active, a new value is written to the offset registers.

NOTE: *If this bit is turned on, the Bit 2 in Control Register 3 (Reg 0x05) "Enable Offset SRAM" must be set to 1.*

Bit 3 – Enable Anti Blooming

Set to '0' – Additional anti blooming feature OFF.

Set to '1' – Additional anti blooming feature ON.

NOTE: *The pixels inherent anti blooming structures will under normal conditions prevent any kind of blooming. Only under the most extreme over exposure condition this additional anti blooming circuitry may be required.*

Bit 4 – Enable White Clamping (Anti-Corona)

Set to '0' – The white clamp is not active.

Set to '1' – The clamping of white values set. White clamp is used to avoid contrast inversion of heavily over exposed scenes. (corona effect).

Bit 5 – Analogue Gain

Set to '0' – No analogue gain (x1) in the CDS.

Set to '1' – Analogue gain (x4) in the CDS.

7.3.3 Inversed ADC Gain Register

Address : 0x03
Operation: R/W
Reset Value: 0X1D

<i>0X03</i>	<i>Bit 7</i>	<i>Bit 6</i>	<i>Bit 5</i>	<i>Bit 4</i>	<i>Bit 3</i>	<i>Bit 2</i>	<i>Bit 1</i>	<i>Bit 0</i>
Description	MSB							LSB
@reset	0	0	0	1	1	1	0	1

Responsible for ADC conversion gain. Respectively the ADC conversion step. The register is proportional to the voltage step required for 1 DN.

Higher value on this register, results in a lower ADC gain. (higher voltage step for 1 DN)

7.3.4 Offset register

Address : 0x04
Operation: R/W
Reset Value: 0XC8

<i>0X04</i>	<i>Bit 7</i>	<i>Bit 6</i>	<i>Bit 5</i>	<i>Bit 4</i>	<i>Bit 3</i>	<i>Bit 2</i>	<i>Bit 1</i>	<i>Bit 0</i>
Description	MSB							LSB
@reset	1	1	0	0	1	0	0	0

Responsible for ADC black level offset. The lower the value of the offset register the closer the output signal will be to the white level, whit the increasing of the register value the output signal will become more black.

7.3.5 CONTROL register 3

Address : 0x05
Operation: R/W
Reset Value: 0x12

<i>0X05</i>	<i>Bit 7</i>	<i>Bit 6</i>	<i>Bit 5</i>	<i>Bit 4</i>	<i>Bit 3</i>	<i>Bit 2</i>	<i>Bit 1</i>	<i>Bit 0</i>
Description	Not used	Not used	Bandgap switch 3	Bandgap switch 2	Bandgap switch 1	Enable Offset SRAM	Re-linearization	Pixel clock output enable
@reset	0	0	0	1	0	0	1	0

Bit 0 – Pixel clock output enable

Set to '0' – The pixel clock pad is in tristate mode.

Set to '1' – The pixel clock is provided to the user on the pad.

Bit 1 – Re-linearization

Set to '0' – In companding ADC mode the piece wise linear compressed data is given out.

Set to '1' – When using the companding ADC mode, the compressed data is re-linearized on chip to a linear 12bit representation. It is recommended to use "dithering" (Control register 1 bit 3) together with this feature to avoid missing codes in the output signal.

Bit 2 – Enable Offset SRAM

Set to '0' – Offset SRAM is powered down. (Stored offset values are lost).

Set to '1' – Offset SRAM is enabled.

Bit 3/4/5 – Bandgap Switch 1/2/3

These bit's can be used to trim the reference current generated by the bandgap circuit of different segments.

Bit 5	Bit 4	Bit 3	Relative current to nominal*
0	0	0	132,00%
0	0	1	77,00%
0	1	0	100,00%
0	1	1	64,00%
1	0	0	112,00%
1	0	1	70,00%
1	1	0	86,00%
1	1	1	59,00%

* The generated reference current can be observed at the TEST_MUX output pin's. The target is 100uA. These bit's can be used to tune the general reference back to target values in case production parameter spread leads to strong deviation. Further these bit's can be used to reduce over all power consumption, though the reference voltages, (namely ADC 0 reference will drift from target values and may have to be over driven to get proper operation at lower over all current. (Reg 0x0A channel 0x0F)

7.3.6 Threshold register 1

Address : 0x06

Operation: R/W

Reset Value: 0x01

0X06	Bit 7	Bit 6	Bit 5	Bit 4	Bit 3	Bit 2	Bit 1	Bit 0
Description	MSB							LSB
@reset	0	0	0	0	0	0	0	1

This register is responsible for holding the value for the first ADC threshold in companding mode. The register content is multiplied by 32.

7.3.7 Threshold register 2

Address : 0x07
Operation: R/W
Reset Value: 0x06

<i>0X07</i>	<i>Bit 7</i>	<i>Bit 6</i>	<i>Bit 5</i>	<i>Bit 4</i>	<i>Bit 3</i>	<i>Bit 2</i>	<i>Bit 1</i>	<i>Bit 0</i>
Description	MSB							LSB
@reset	0	0	0	0	0	1	1	0

This register is responsible for holding the value for the second ADC threshold in companding mode. The register content is multiplied by 32.

7.3.8 Threshold register 3

Address : 0x08
Operation: R/W
Reset Value: 0x6D

<i>0X08</i>	<i>Bit 7</i>	<i>Bit 6</i>	<i>Bit 5</i>	<i>Bit 4</i>	<i>Bit 3</i>	<i>Bit 2</i>	<i>Bit 1</i>	<i>Bit 0</i>
Description	MSB							LSB
@reset	0	1	1	0	1	1	0	1

This register is responsible for holding the value for the third ADC threshold in companding mode. The register content is multiplied by 32.

7.3.9 End of Range register

Address : 0x09
Operation: R/W
Reset Value: 0x7F

<i>0X09</i>	<i>Bit 7</i>	<i>Bit 6</i>	<i>Bit 5</i>	<i>Bit 4</i>	<i>Bit 3</i>	<i>Bit 2</i>	<i>Bit 1</i>	<i>Bit 0</i>
Description	MSB							LSB
@reset	0	1	1	1	1	1	1	1

This register is responsible for holding the value to configure the end of the ADC range. (the highest digital value computed by the ADC.) The Register holds the 8 MSB's of a 13 bit

value. (the 5 LSB's are set by hard wiring to 0.) The time in master clock cycles the ADC requires for a conversion equals the value in this register multiplied by 32. Use this register to chose between 10bit, 11bit 12bit or even 13bit ADC resolution. The ADC resolution trades versus the ADC conversion time. Higher resolution thus requires longer line periods, or the ADC to be run at higher clock frequency.

7.3.10 Test Multiplexer register

Address : 0x0A

Operation: R/W

Reset Value: 0x00

0X0A	Bit 7	Bit 6	Bit 5	Bit 4	Bit 3	Bit 2	Bit 1	Bit 0
Description	hv_3	hv_2	hv_1	hv_0	test_3	test_2	test_1	test_0
@reset	0	0	0	0	0	1	1	0

This register is responsible for holding the value to configure the test multiplexer. It defines the channel that will select as output for the test multiplexer. Write 0x0F

{info only:

Channel	Signal	Comment
0x00	VSS	Reset default
0x01	Vbg	Internal Bandgap reference voltage
0x02	bias_vref	Bias reference of on chip CDS reference buffer
0x03	gnd_rst_cvc	Anti blooming reference voltage
0x04	pcas_cds	Internal reference voltage
0x05	ncas_cds	Internal reference voltage
0x06	vbias_cds	Internal reference voltage
0x07	vbias_white_clamp	Internal reference voltage
0x08	Vthr	Threshold voltage for saturation detection
0x09	vbias_cvc	Internal reference voltage
0x0A	Iref	Current output (measure towards VSS) for internal bias generation. Target value 100uA
0x0B	vbias_comp_1	Internal reference voltage
0x0C	Rst_cvc	Monitor of digital control signal reset_cvc
0x0D	Vrst	Internal reference voltage
0x0E	Rmp	Internal reference voltage
0x0F	ADC_reference	Reference voltage for ADC 0 level. Can be over driven. Additional decoupling on this signal may improve noise performance.

Table 11: Test multiplexer channels

: end info }

7.4 Serial 4 wire configuration interface

For access to the internal registers of the sensor, a serial interface with 4 wires is implemented. The interface consists in 4 different lines, one clock line (SCLK), one receive (MOSI) and transmit (MISO) line which are synchronous to each other. The fourth line is the chip select (/CS) and must be low to send/receive data through the lines. The sensor will be always slave in the application. By the use of the /CS signal the master can activate the serial interface of an individual segment or several segments together. The bus frequency range is from DC to 20MHz, but must always be lower than $MCLK/2$.

The data is sent from LSB to MSB. The command word has a length of 16 bits and contains the data of the register and the register address. It is possible to write multiple registers consecutively, sending data and address each 16 SCLK. After the last write word the SCLK should be sent for minimum 2 extra clocks, (maximum 4 SCLK) while /CS is still low.

The updating to the registers is performed after update request bit is sent at the next rising edge of "RESET_COUNTER" signal. The last word sent to the registers has to be always register 0x01 and containing the update request bit, otherwise not update is performed.

7.4.1 Writing Operation

The writing operation is performed by sending the word containing the data and the address, no acknowledge signal or indication is given back.

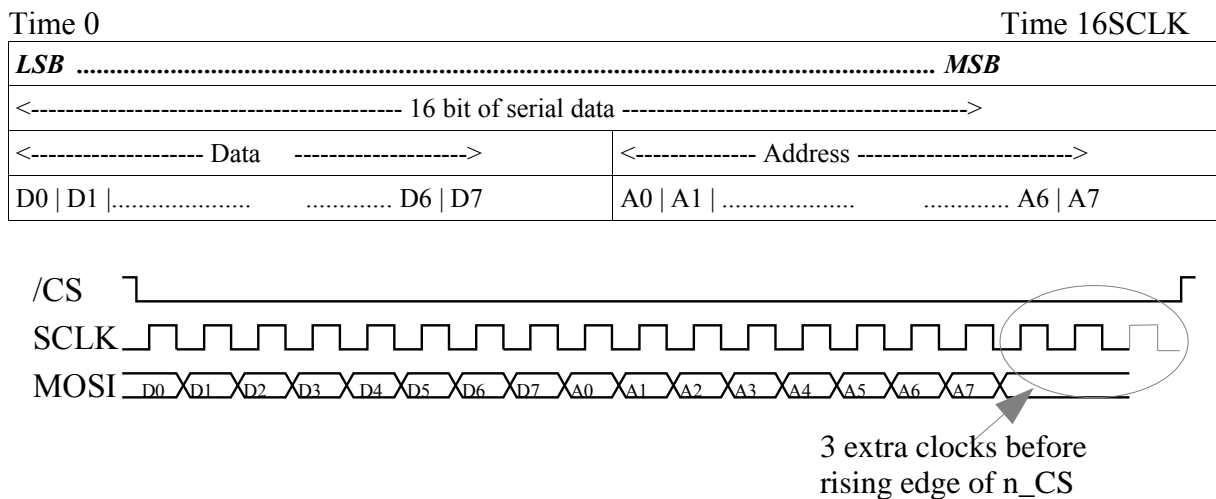


Fig 18: Writing operation

7.4.2 Reading Operation

To perform a read operation, the address for the register to be read, has to be written on register 15 (as data). The output data will be sent over the MISO line, with one leading one, and with 2 SCLK delay to the last bit of the address word (LSB first).

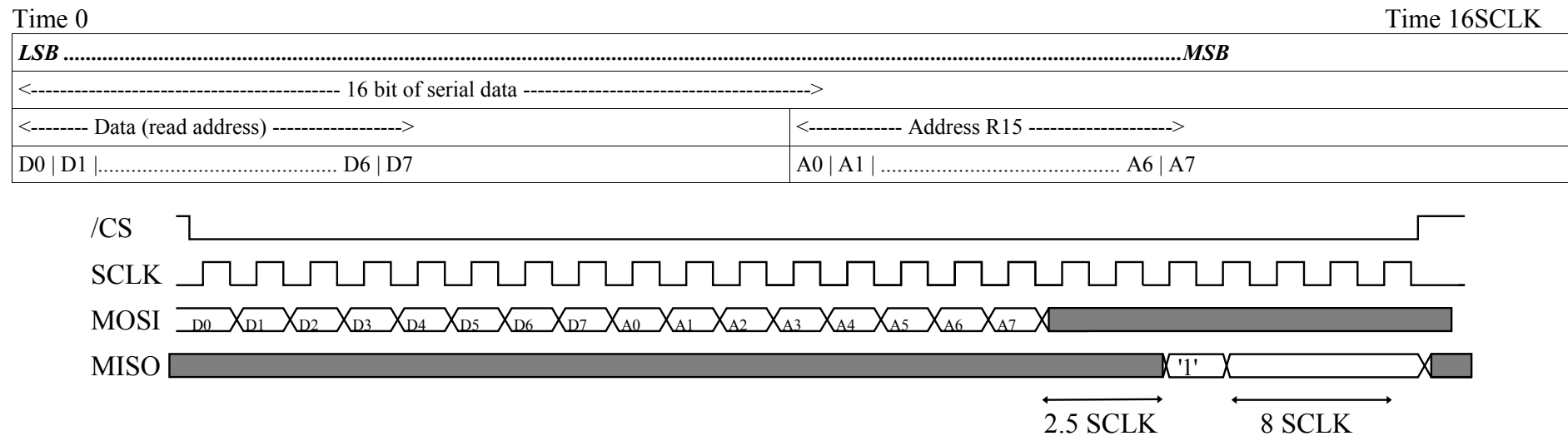


Fig 19: Reading operation

7.5 Timing diagrams

Start of integration

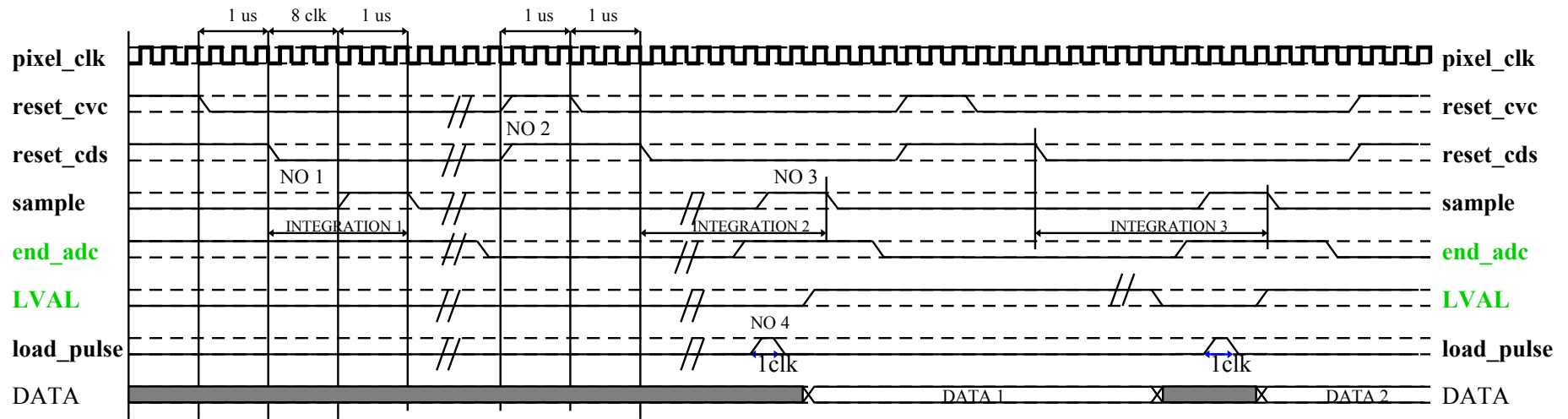


Fig 20: Timing diagram

NO 1 - To start the integration the user should send the falling edge of RST_CVC and with a delay of 1us the falling edge of RST_CDS, only after at least 8clk the user can send the raising edge of SAMPLE. However the rising edge of SAMPLE should never be sent before the end of the active ADC conversion. (END_ADC = HIGH) and SAMPLE should be high for at least 1us.

NO 2 - The user can send the rising edge of RST_CVC and RST_CDS earliest 7clk after falling edge of sample. (Note 6clk after falling edge of sample, END_ADC will have it's falling edge)

NO 3 - The raising edge of SAMPLE should only be sent if END_ADC is HIGH

NO 4 - The load pulse should be sent, with at least 4 clocks delayed to the latest event of falling edge of LVAL or rising edge of END_ADC.

End of readout entering idle

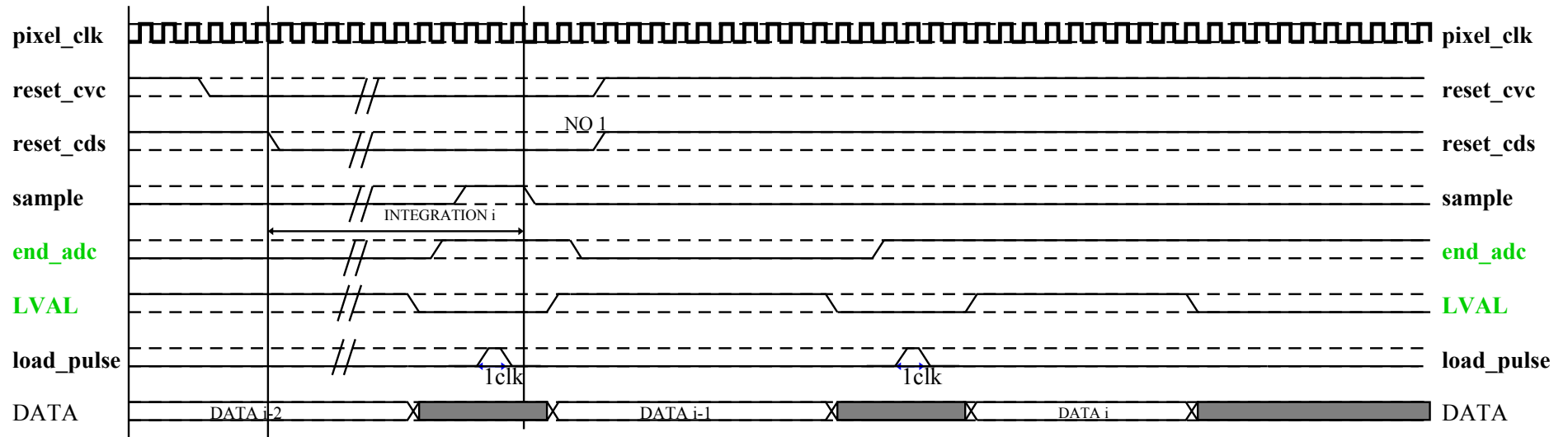
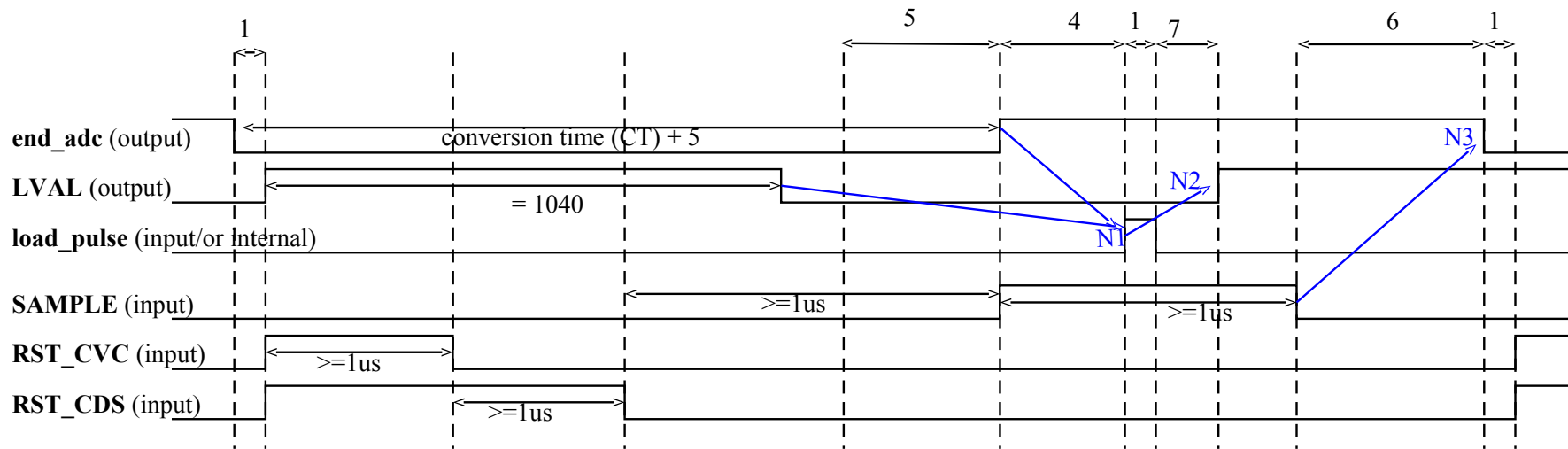


Fig 21: Timing diagram

NO 1 - To put the sensor in idle mode, the user should send the rising edge of RST_CVC and RST CDS, and keep the signal at HIGH Level

Detail end of integration start ADC and readout



NOTE 1: rising of load = the later of (rising edge end_adc; falling edge LVAL) + 4

NOTE 2: rising of LVAL = rising edge of load_pulse + 8

NOTE 3: falling of end_adc = falling edge of SAMPLE + 6

Conversion time:

if ADC_mode_bit = 0)

$$CT = end_range * 32$$

else (ADC_mode_bit = 1)

$$CT = [thr1 + (thr2 - thr1) / 2 + (thr3 - thr2) / 4 + (end_range - thr3) / 8] * 32$$

Fig 22: Detail end of integration start ADC and readout

8 Pins and functionality

Pin Name	In-Out	Function
Out_CVC_x	in/out	CVC output for pixel X, leave open or provide pull up/down to fix read value.
Out_CDS_x	in/out	CDS output for pixel X, leave open or provide pull up/down to fix read value.
SAMPLE	Dig in	Sample signal
RST_CVC	Dig in	Reset signal for CVC
RST_CDS	Dig in	Reset signal for CDS
N_CS	Dig in	Negative Chip Select for serial interface
SCLK	Dig in	Serial clock for serial interface
MOSI	Dig in	Master out / Slave in line for serial interface interface
MISO	Dig out	Master in / Slave out line for serial interface interface
VDDA	-	Analog power supply
VDD_Bulk	-	Bulk power supply
VDDD	-	Digital power supply
VDDES	-	ESD protection power supply
VDDIO	-	I/O power supply
VSSA	-	Analog ground
VSS_Bulk	-	Bulk ground
VSSD	-	Digital ground
VSSDES/IO	-	ESD protection and I/O ground
LVAL	Dig out	Line valid signal
load_pulse	Dig in	Pulse to be shift on readout chain
Bit 0..12	Dig out	Bits from readout
end_adc	Dig out	Indication from counter being in reset
main_clk	Dig in	Main clock input
test_mux	NC	Leave open
Vref	NC	Leave open
n_reset	Dig in	Global reset signal. Low active
VDD_05	NC	Leave open
Vclamp	VDDA	Connect to VDDA
Pixel_clock	Dig out	Output pixel clock (frequency only differs from main clock if clock diff is used)

Table 12: Pins and functionality

9 Tap organization

9.1.1 Tap organization DR-2k-7, DR-4k-7, DR-8k-7

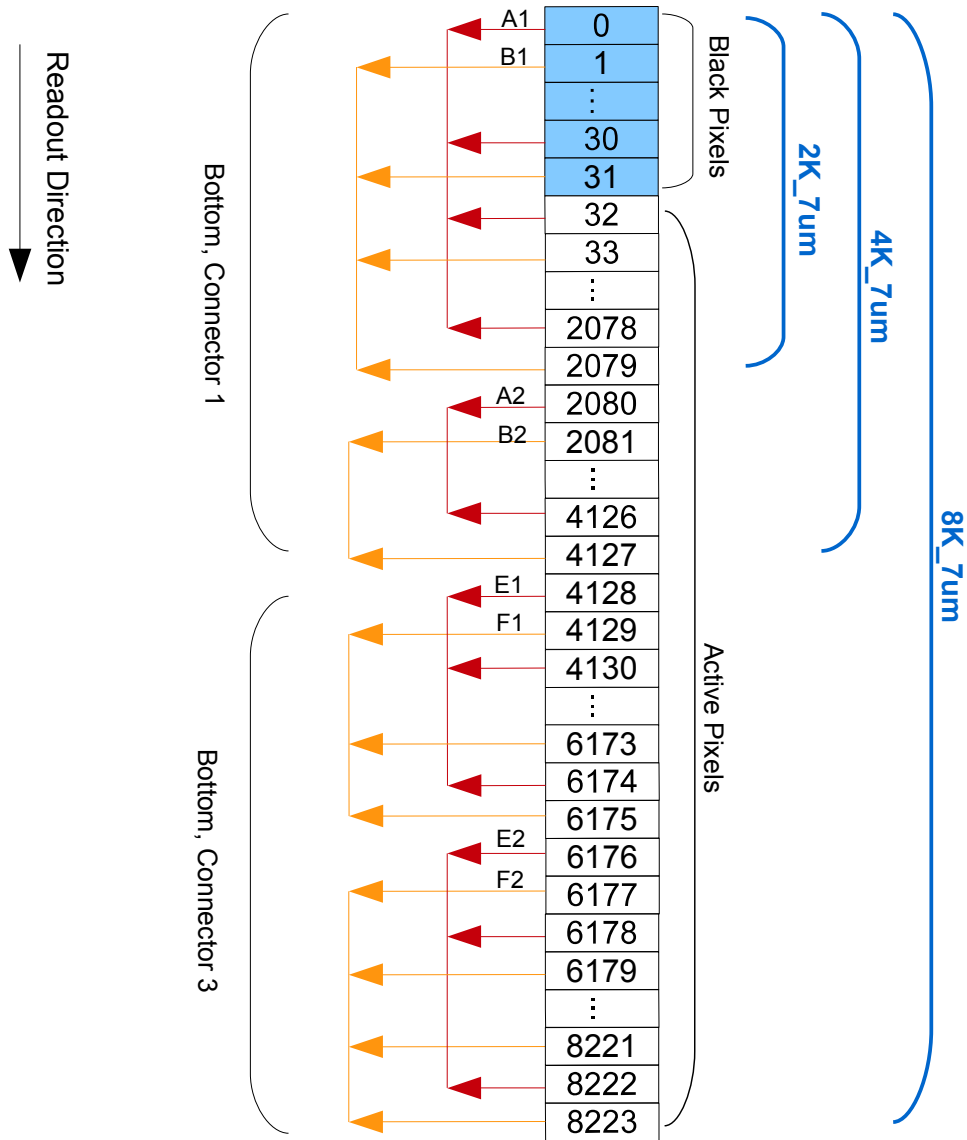


Fig 23: Tap organization DR-2k-7, DR-4k-7, DR-8k-7

9.1.2 Tap organization DR-6k-7

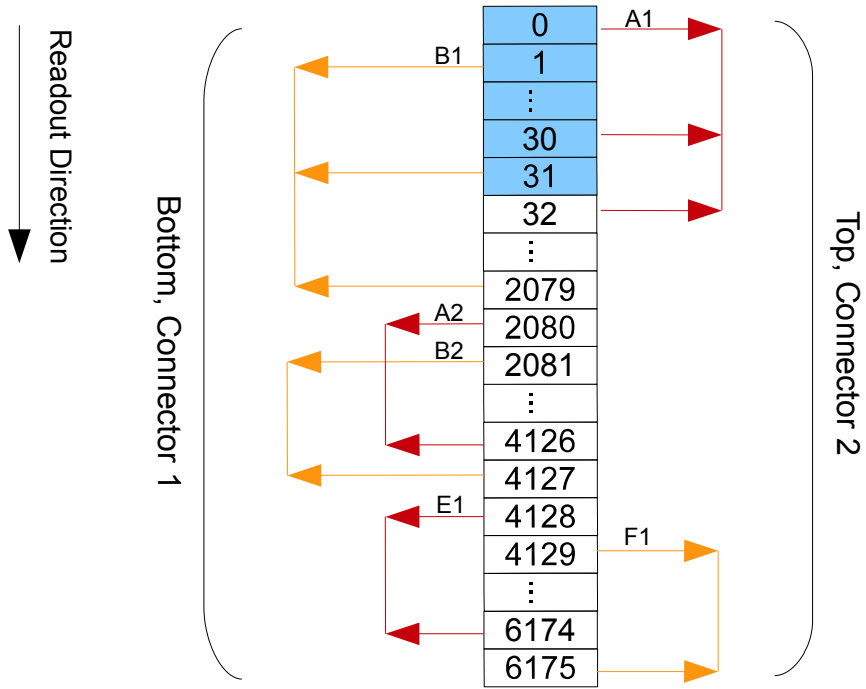


Fig 24: Tap organization DR-6k-7

9.1.3 Tap organization DR-4k-3.5, DR-8k-3.5, DR-16k-3.5

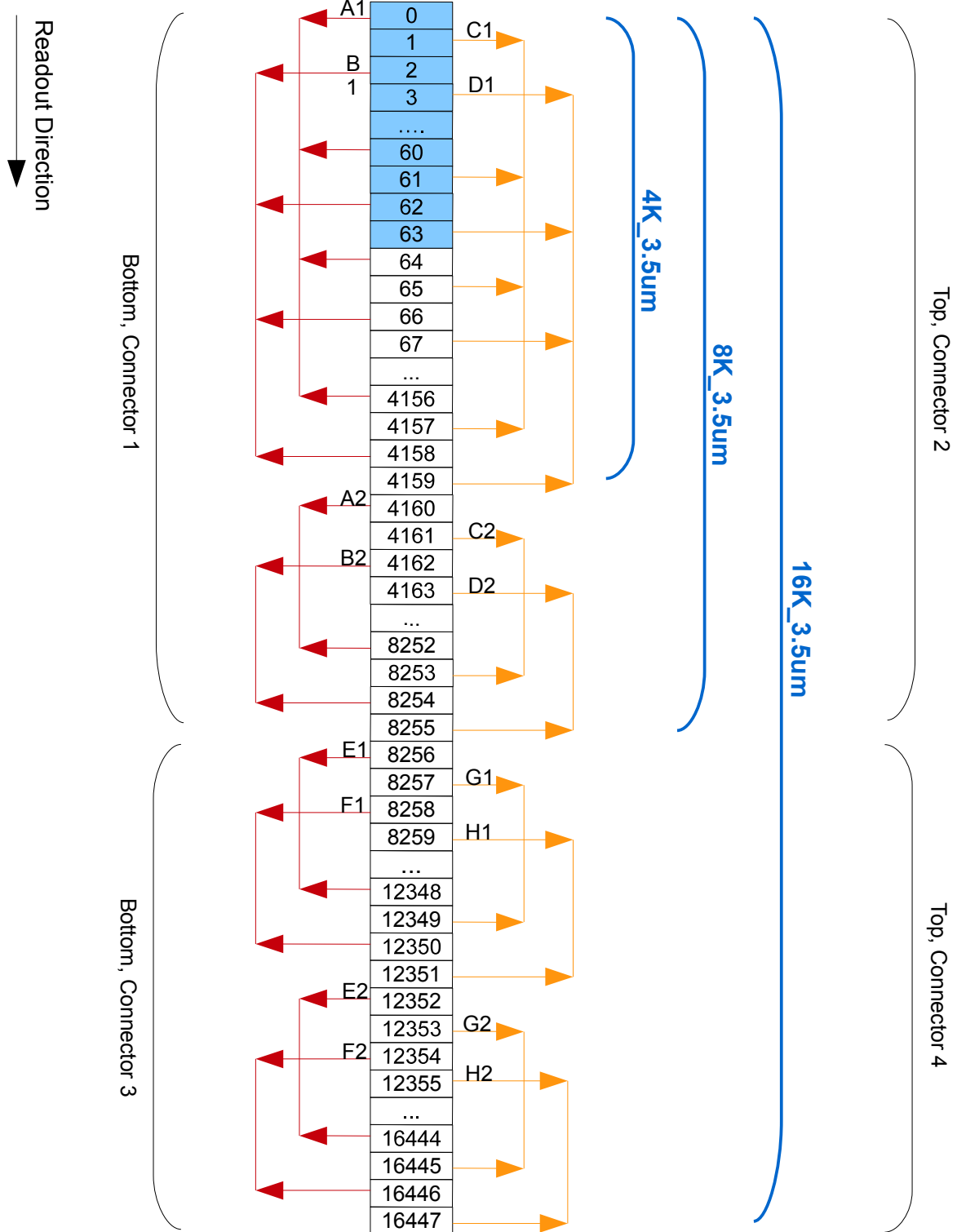


Fig 25: Tap organization DR-4k-3.5, DR-8k-3.5, DR-16k-3.5

9.1.4 Tap organization DR-2x2k-7, DR-2x4k-7, DR-2x8k-7

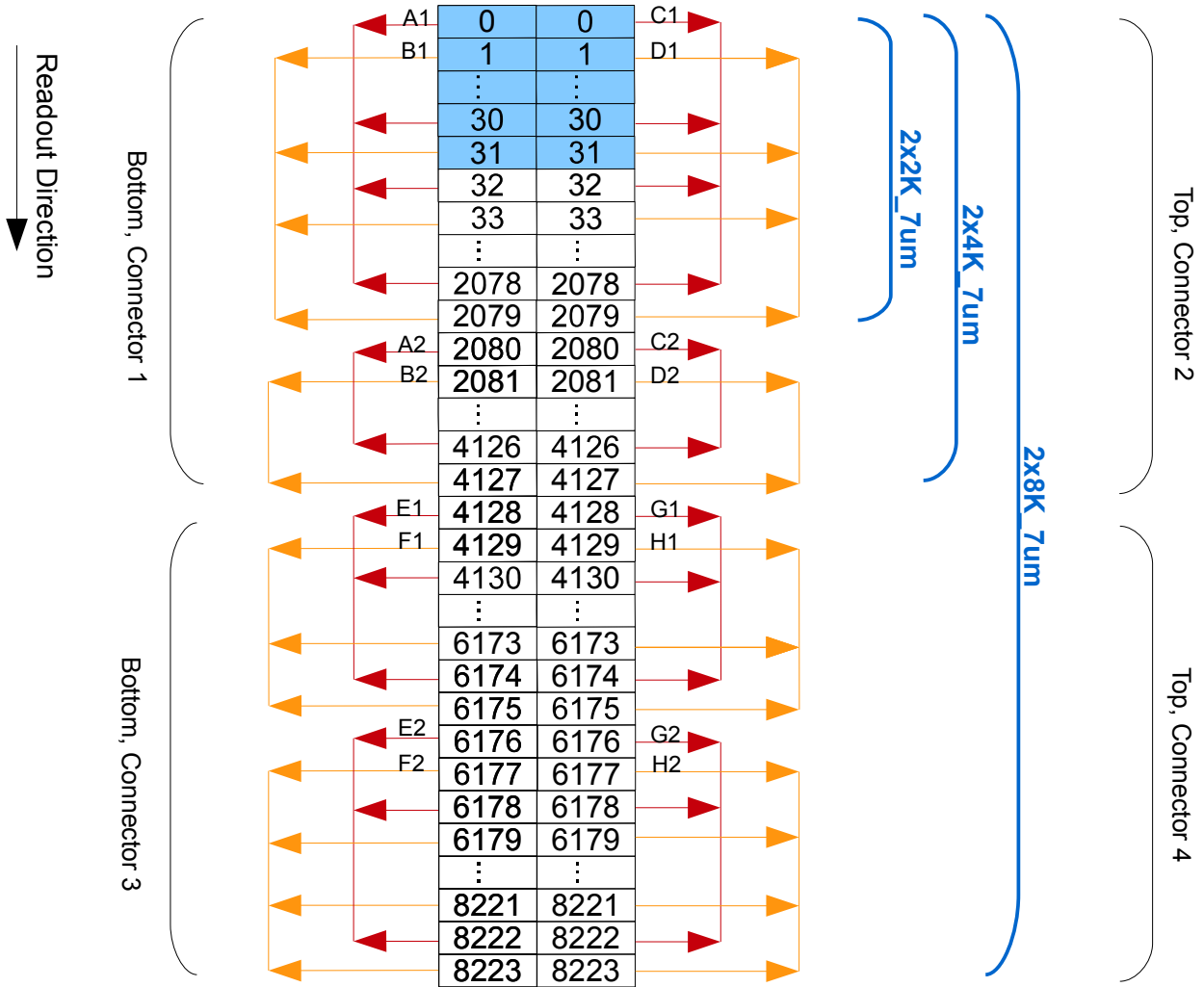


Fig 26: Tap organization DR-2x2k-7, DR-2x4k-7, DR-2x8k-7

9.1.5 Tap organization DR-2x2k-7-RGB, DR-2x4k-7-RGB, DR-2x8k-7-RGB

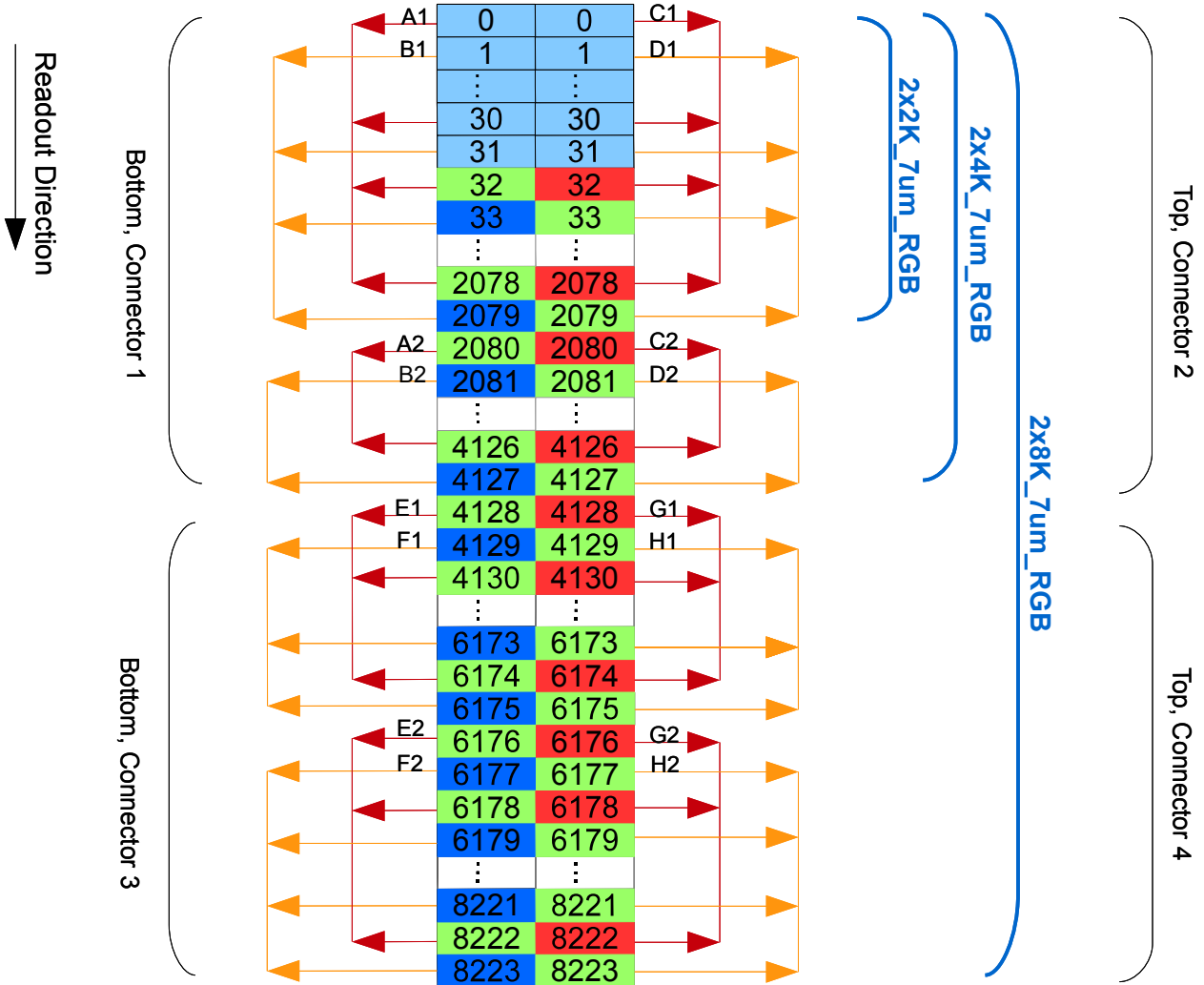


Fig 27: Tag organization DR-2x2k-7-RGB, DR-2x4k-7-RGB, DR-2x8k-7-RGB

10 Packages overview

DRAGSTER sensors are supplied with specific packages developed at Awaiba that are made to bring serious advantages to camera developers. They include years of close development with Awaiba's customers in the most demanding applications.

The available packages are organized in two main types: LCC and INVAR. The LCC is a no lead package where the silicon's carrier is FR4 while the INVAR package uses a special nickel iron alloy as heat dissipation and mechanical reference. While the LCC package is oriented for size, resolution and cost conscious applications the INVAR type is focused on high performance, where highest speed and high resolutions are the main advantages to the field application. All package types take a cover glass over sensor's silicon to protect from external dust particles. Optionally, the sensor can be delivered without cover glass and a globe top protection of bond wires.

For the customer, one of the most obvious advantage of Dragster packages are the use of commercially available connectors or low cost LCC connections. This makes each camera development fast and easy and brings also other advantages: precise mechanical alignment to the optics by taking INVAR as reference and it's CNC machined features, integrated heat dissipation plate that minimizes sensor stress in Z-axis, maximization of sensor performance in speed and noise and easily customizable package to suit any requirement. Furthermore the LCC can also be mounted as a SMD part.

Other packages are possible, like bare die or CSP, so contact AWAIBA if you require a custom package.

Package	Sensors	Top View	Bottom View
LCC	DR-2K-7 DR-2x2K-7 DR-4K-3.5		
Invar with 1 connector	DR-4K-7		
Invar with 2 connectors	DR-2K-7 DR-2x2K-7 DR-4K-3.5		
	DR-2x4K-7 DR-8K-3.5		
	DR-6K-7		
Invar with 2 connectors in the bottom	DR-8K-7		

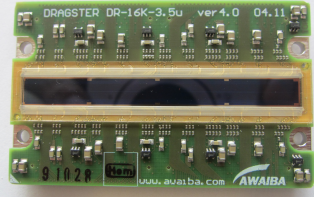
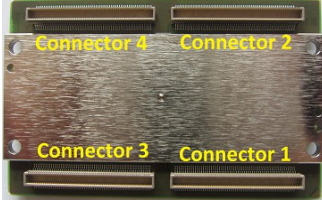
<p>Invar with 4 connectors</p>	<p>DR-2x8K-7 DR-16K-3.5</p>		
--------------------------------	---------------------------------	--	---

Table 13: Package overview

11 Mechanical Drawings

11.1 LCC Package drawings DR2k-7

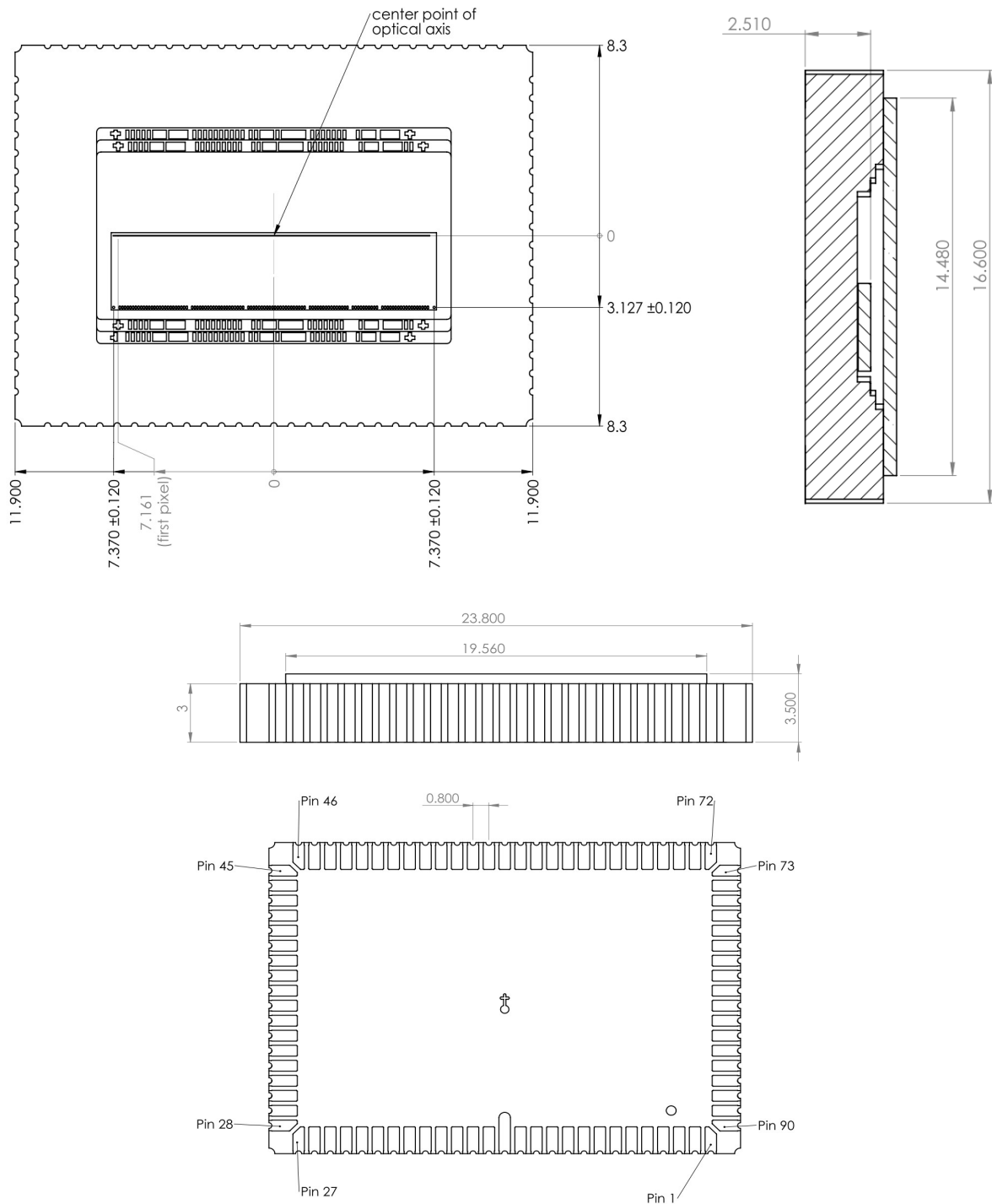


Fig 28: Four Views of LCC Package Drawings for DR2k-7

11.2 LCC package drawings DR2x2k-7, DR4k-3.5

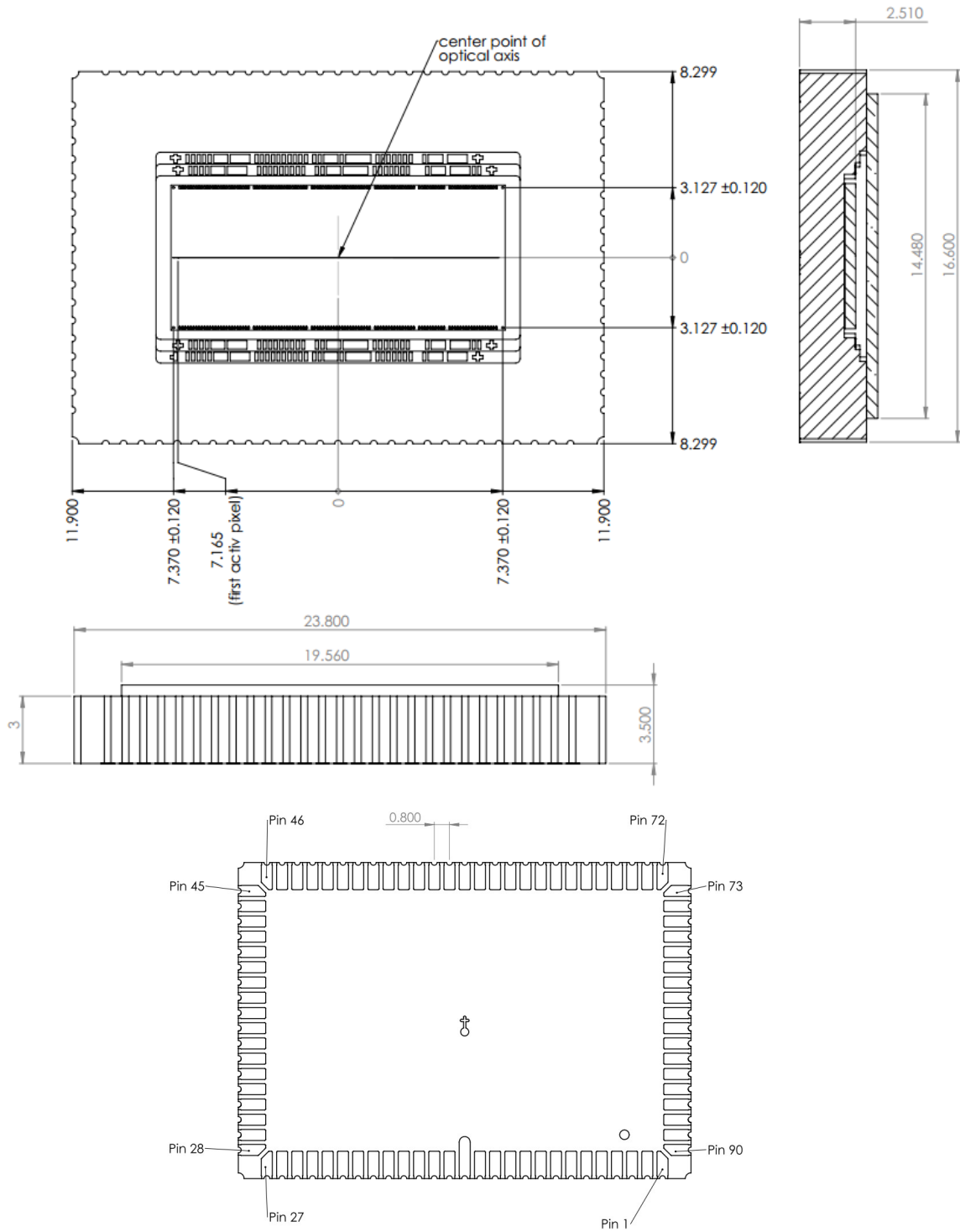


Fig 29: Four Views of LCC Package Drawings for DR2x2k-7 B&W and RGB, DR4k-3.5

11.3 Invar package drawing DR4k-7

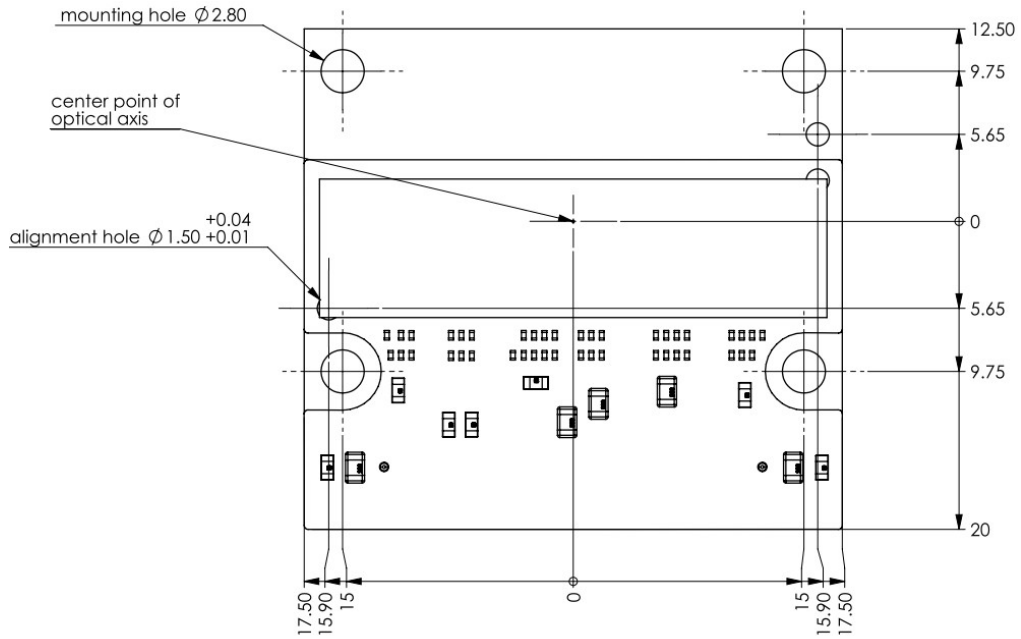


Fig 30: Top view DR-B&W-4k-7-Invar. If not otherwise noted all tolerances are +/- 0.1mm

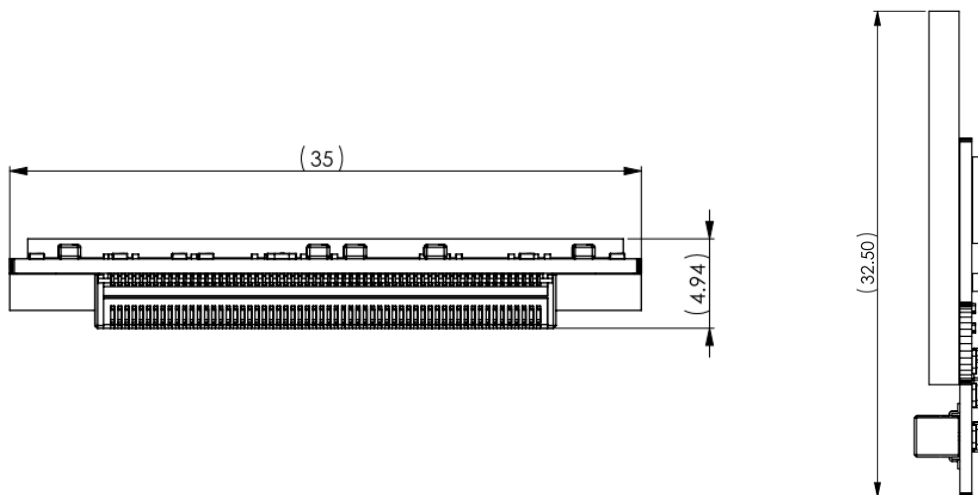


Fig 31: DR-B&W-4k-7-Invar. Tolerance +/- 0.1mm

11.4 Incar package drawing DR-2x4k-7, DR8k-3.5

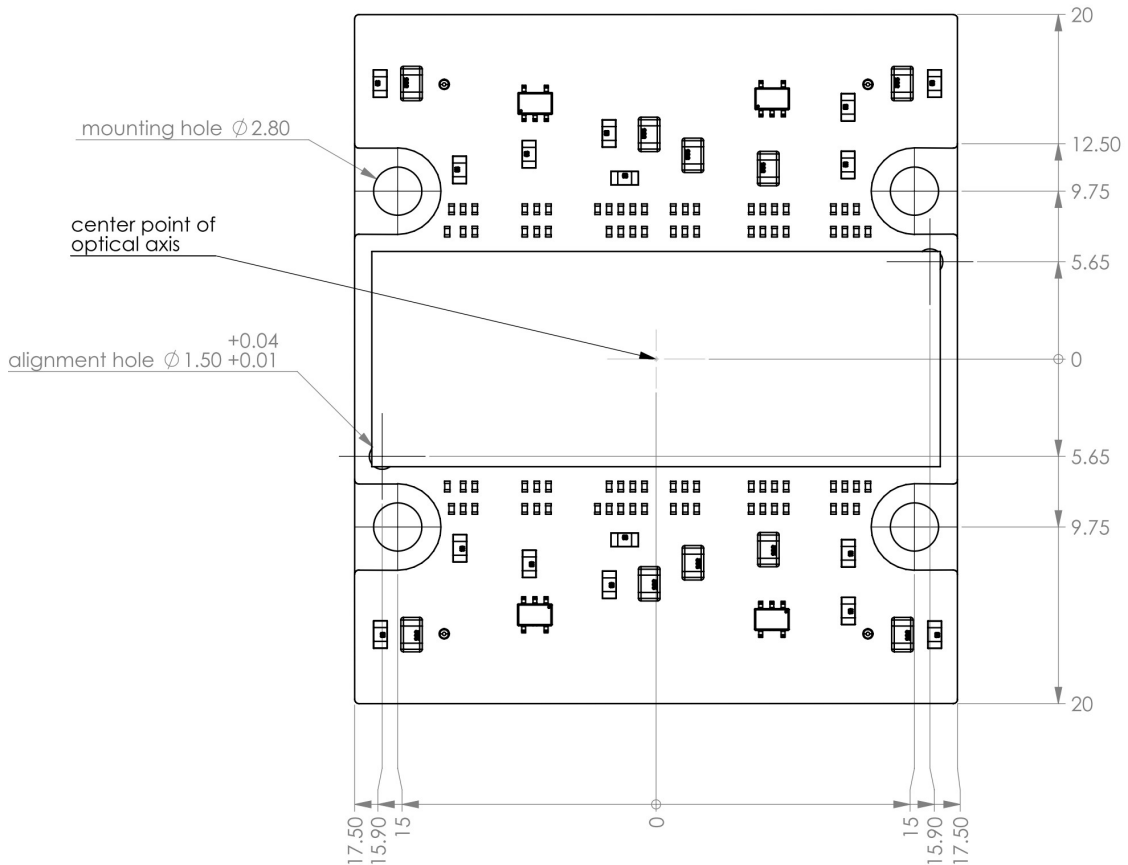


Fig 32: Top view DR-B&W-2x4k-7-Invar and DR-B&W-8K-3.5-Invar. If not otherwise noted all tolerances are +/- 0.1mm

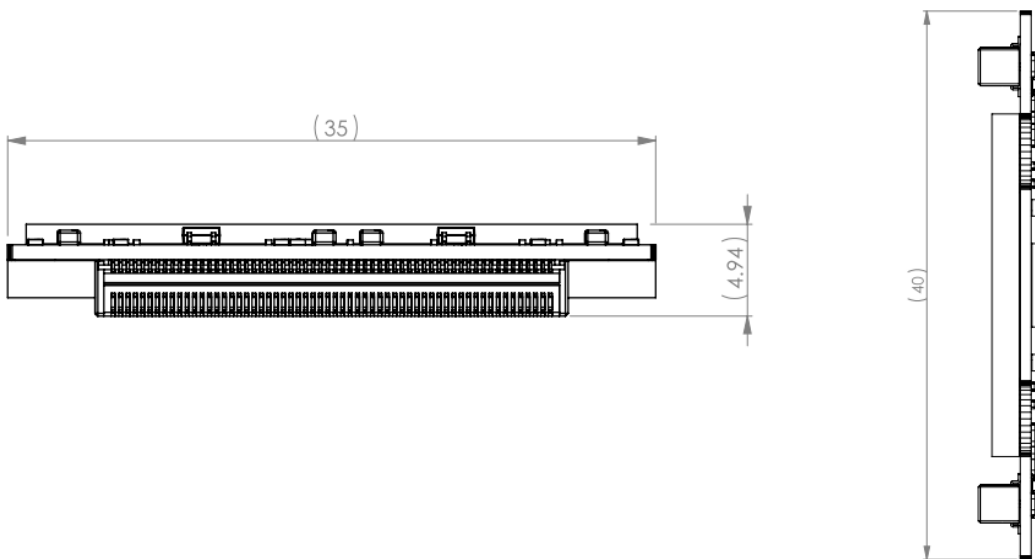


Fig 33: DR-B&W-2x4k-7-Invar, DR-B&W-8K-3.5-Invar. Tolerance +/- 0.1mm

11.5 Invar package drawing DR2k-7, DR2x2k-7, DR4k-3.5

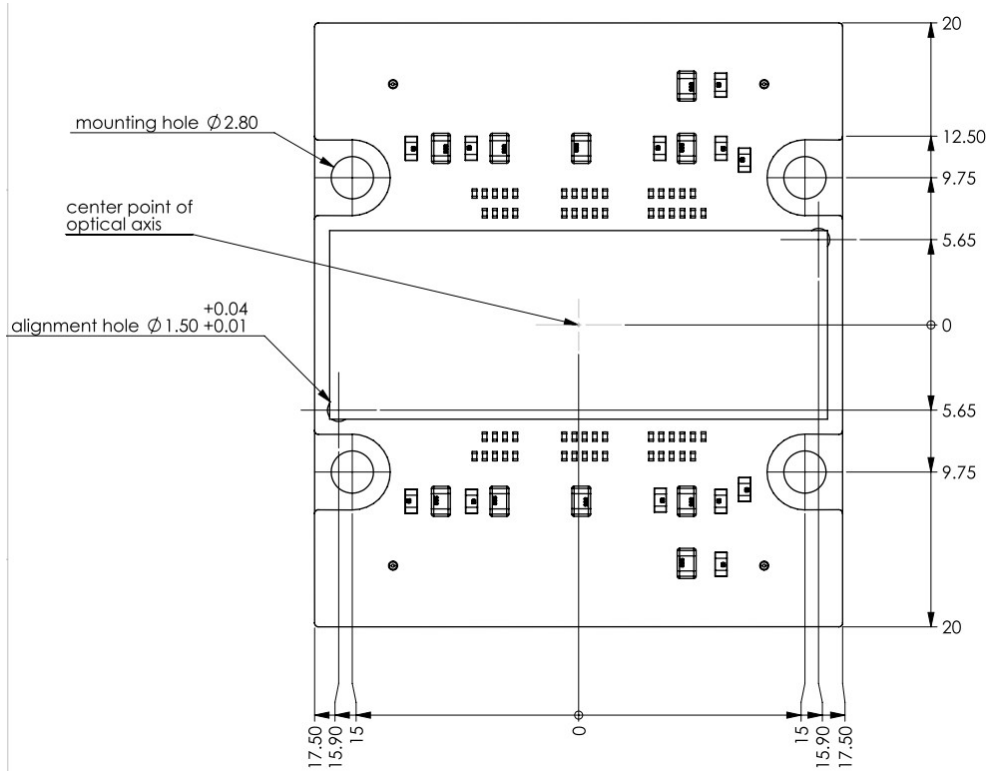


Fig 34: Top view DR-B&W-2k-7-Invar, DR-B&W-2x2k-7-Invar; DR-B&W-4k-3.5-Invar. If not otherwise noted all tolerances are +/- 0.1mm

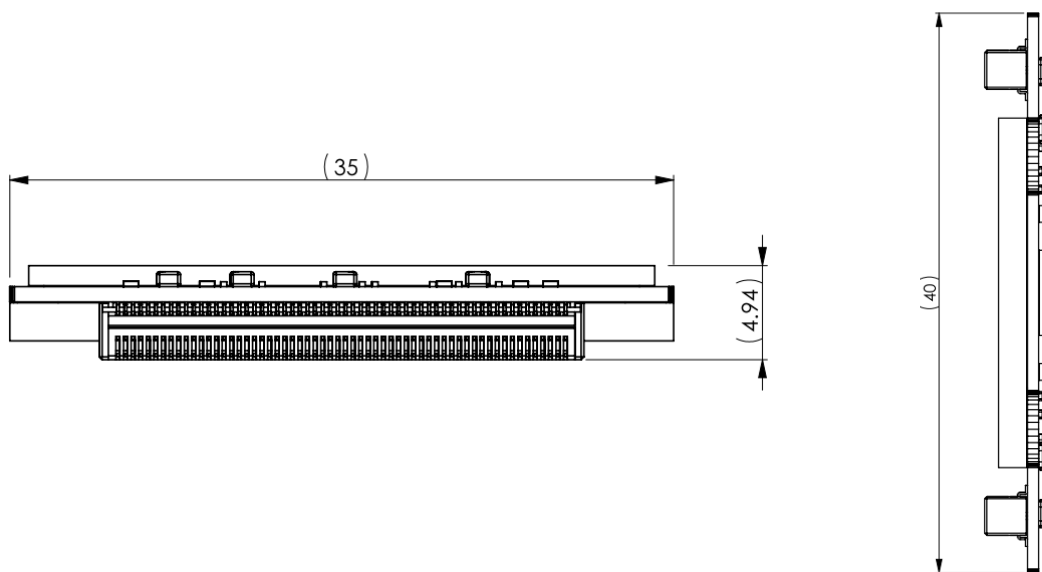


Fig 35: DR-B&W-2k-7-Invar, DR-B&W-2x2k-7-Invar, DR-B&W-4k-3.5-Invar.. Tolerance +/- 0.1mm

11.6 Invar package drawing DR6k-7

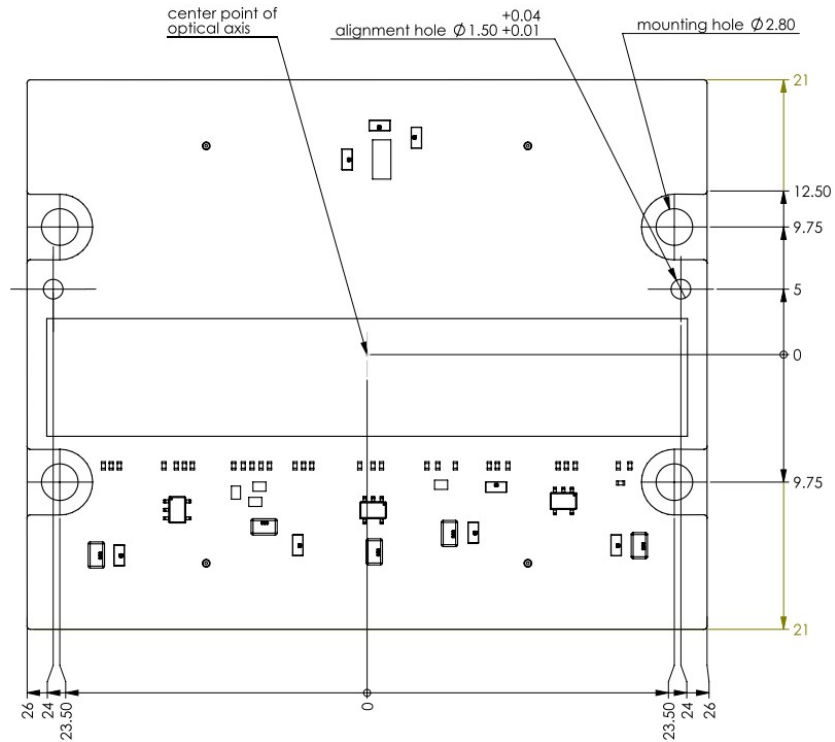


Fig 36: Top view DR-B&W-6k-7-Invar. If not otherwise noted all tolerances are +/- 0.1mm

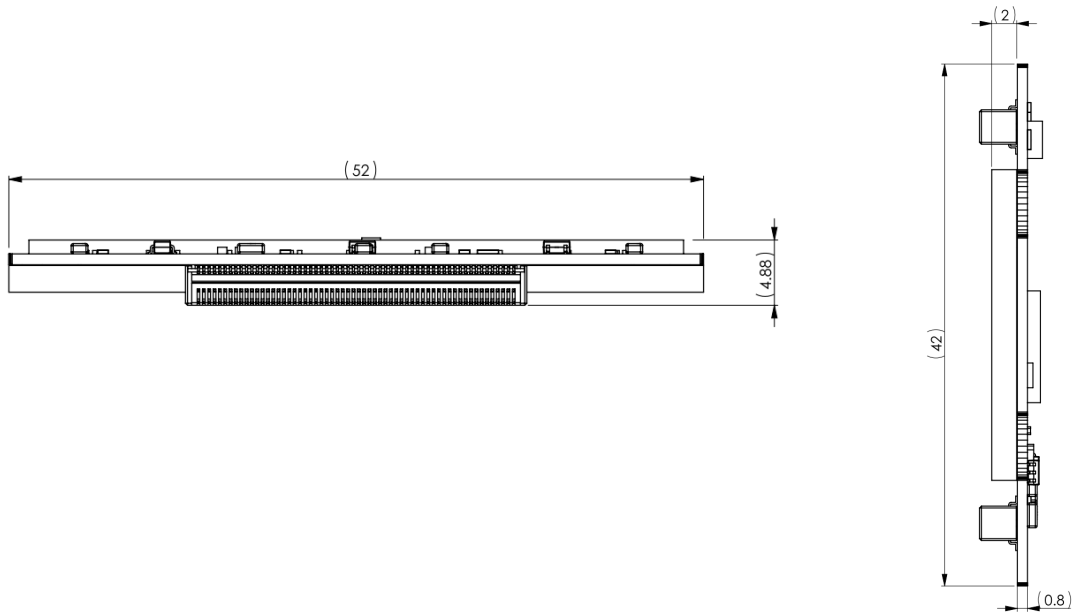


Fig 37: DR-B&W-6k-7-Invar. Tolerance +/- 0.1mm

11.7 Invar package drawing DR8k-7

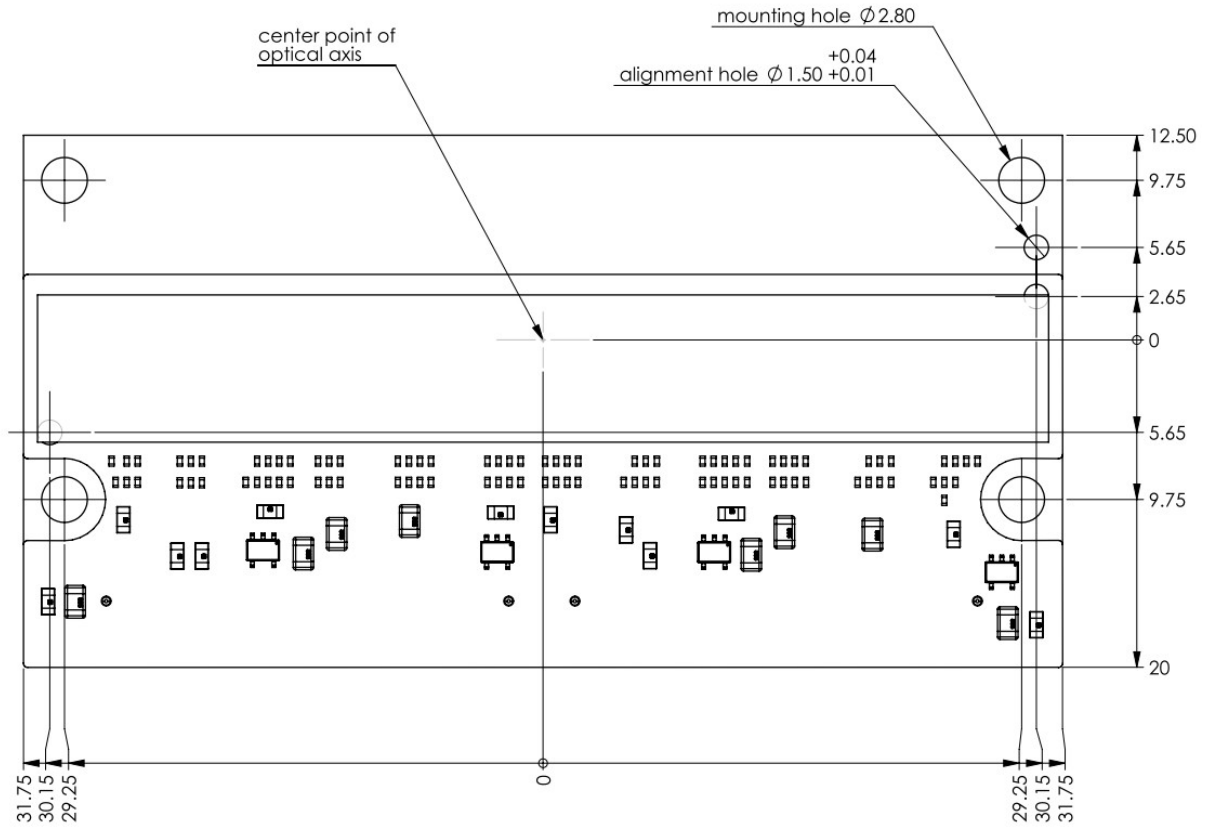


Fig 38: Top view DR-B&W-8k-7-Invar. If not otherwise noted all tolerances are +/- 0.1mm

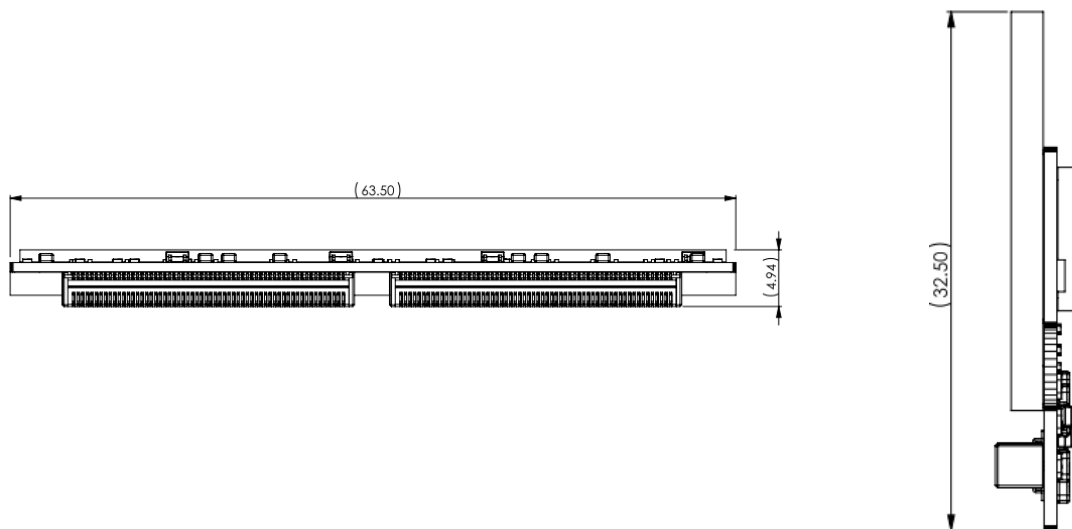


Fig 39: DR-B&W-8k-7-Invar. Tolerance +/- 0.1mm

11.8 Invar package drawing DR-2x8k-7, DR-16k-3.5

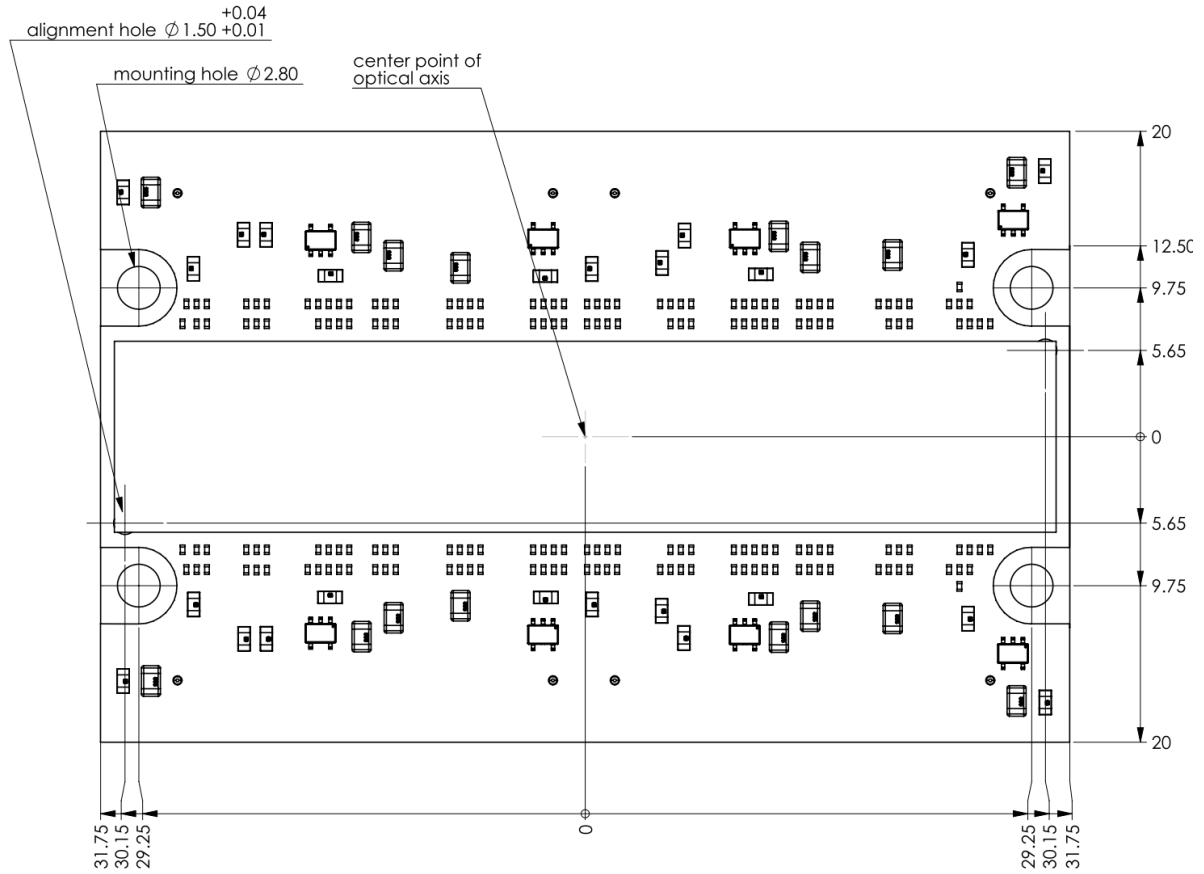


Fig 40: Top view DR-B&W-2x8k-7-Invar and DR-B&W-16k-3.5-Invar. If not otherwise noted all tolerances are +/- 0.1mm

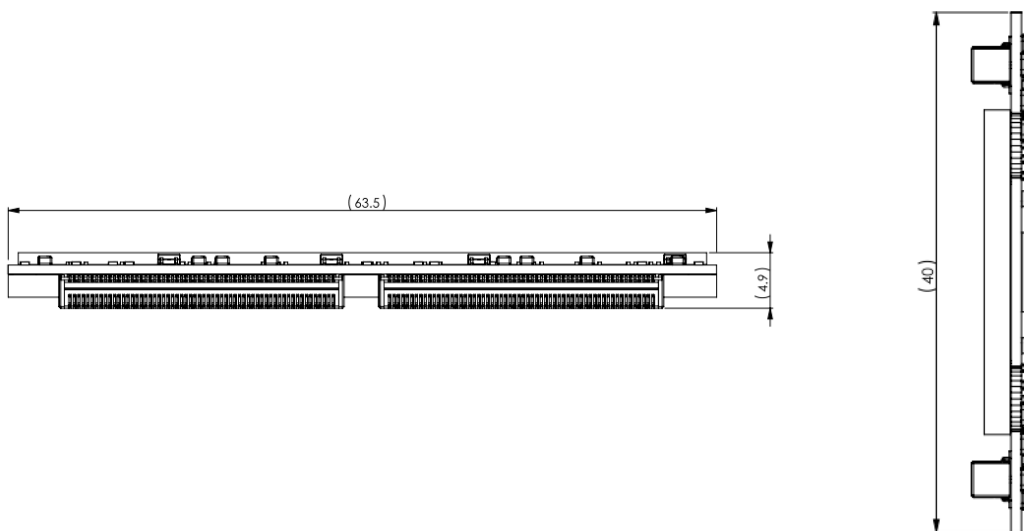


Fig 41: DR-B&W-2x8k-7-Invar, DR-B&W-16k-3.5-Invar. Tolerance +/- 0.1mm

12 Connectors pin outlined

12.1 Pinout DR2k-7-LCC, DR2x2k-7-LCC, DR4k-3.5-LCC

Pin	Signal Name	Signal Name	Type
	DR-4k-3.5-LCC DR-2x2k-7-LCC	DR-2k-7-LCC	
1	Tap A1 Bit 11	Tap A1 Bit 11	Digital Output
2	Tap A1 Bit 9	Tap A1 Bit 9	Digital Output
3	Tap A1 Bit 7	Tap A1 Bit 7	Digital Output
4	Tap A1 Bit 5	Tap A1 Bit 5	Digital Output
5	Tap A1 Bit 3	Tap A1 Bit 3	Digital Output
6	Tap A1 Bit 1	Tap A1 Bit 1	Digital Output
7	VSS	VSS	Ground
8	LVAL Tap A1/B1	LVAL Tap A1/B1	Digital Output
9	Tap A1 Bit 12	Tap A1 Bit 12	Digital Output
10	Tap A1 Bit 10	Tap A1 Bit 10	Digital Output
11	Tap A1 Bit 8	Tap A1 Bit 8	Digital Output
12	Tap A1 Bit 6	Tap A1 Bit 6	Digital Output
13	Tap A1 Bit 4	Tap A1 Bit 4	Digital Output
14	Tap A1 Bit 2	Tap A1 Bit 2	Digital Output
15	Tap A1 Bit 0	Tap A1 Bit 0	Digital Output
16	Pixel_CLK_Tap A1/B1	Pixel_CLK_Tap A1/B1	Digital Output
17	END_ADC_TAP A1/B1	END_ADC_TAP A1/B1	Digital Output
18	VSS	VSS	Ground
19	Tap B1 Bit 1	Tap B1 Bit 1	Digital Output
20	Tap B1 Bit 3	Tap B1 Bit 3	Digital Output
21	Tap B1 Bit 5	Tap B1 Bit 5	Digital Output
22	Tap B1 Bit 7	Tap B1 Bit 7	Digital Output
23	Tap B1 Bit 9	Tap B1 Bit 9	Digital Output
24	Tap B1 Bit 11	Tap B1 Bit 11	Digital Output
25	Tap B1 Bit 0	Tap B1 Bit 0	Digital Output
26	Tap B1 Bit 2	Tap B1 Bit 2	Digital Output

Pin	Signal Name	Signal Name	Type
	DR-4k-3.5-LCC DR-2x2k-7-LCC	DR-2k-7-LCC	
27	Tap B1 Bit 4	Tap B1 Bit 4	Digital Output
28	VSS	VSS	Ground
29	Tap B1 Bit 6	Tap B1 Bit 6	Digital Output
30	Tap B1 Bit 8	Tap B1 Bit 8	Digital Output
31	Tap B1 Bit 10	Tap B1 Bit 10	Digital Output
32	Tap B1 Bit 12	Tap B1 Bit 12	Digital Output
33	VSS	VSS	Ground
34	VDDA	VDDA	3.3V Analogue
35	VDD	VDD	3.3V supply
36	VDD	VDD	3.3V supply
37	VDD	VDD	3.3V supply
38	VDDA	VDDA	3.3V Analogue
39	N_Reset	N_Reset	Digital Input
40	VSS	Ground	Ground
41	Tap D1 Bit 12	Not connected	Digital Output
42	Tap D1 Bit 10	Not connected	Digital Output
43	Tap D1 Bit 8	Not connected	Digital Output
44	Tap D1 Bit 6	Not connected	Digital Output
45	VSS	VSS	Ground
46	Tap D1 Bit 4	Not connected	Digital Output
47	Tap D1 Bit 2	Not connected	Digital Output
48	Tap D1 Bit 0	Not connected	Digital Output
49	Tap D1 Bit 11	Not connected	Digital Output
50	Tap D1 Bit 9	Not connected	Digital Output
51	Tap D1 Bit 7	Not connected	Digital Output
52	Tap D1 Bit 5	Not connected	Digital Output
53	Tap D1 Bit 3	Not connected	Digital Output
54	Tap D1 Bit 1	Not connected	Digital Output
55	VSS	Ground	Ground
56	END_ADC_TAP C1/D1	Not connected	Digital Output

Pin	Signal Name	Signal Name	Type
	DR-4k-3.5-LCC DR-2x2k-7-LCC	DR-2k-7-LCC	
57	Pixel_CLK_Tap C1/D1	Not connected	Digital Output
58	Tap C1 Bit 0	Not connected	Digital Output
59	Tap C1 Bit 2	Not connected	Digital Output
60	Tap C1 Bit 4	Not connected	Digital Output
61	Tap C1 Bit 6	Not connected	Digital Output
62	Tap C1 Bit 8	Not connected	Digital Output
63	Tap C1 Bit 10	Not connected	Digital Output
64	Tap C1 Bit 12	Not connected	Digital Output
65	LVAL Tap C1/D1	Not connected	Digital Output
66	VSS	Ground	Ground
67	MISO C1/D1	Not connected	Digital Output
68	Tap C1 Bit 1	Not connected	Digital Output
69	Tap C1 Bit 3	Not connected	Digital Output
70	Tap C1 Bit 5	Not connected	Digital Output
71	Tap C1 Bit 7	Not connected	Digital Output
72	Tap C1 Bit 9	Not connected	Digital Output
73	VSS	Ground	Ground
74	Tap C1 Bit 11	Not connected	Digital Output
75	RESET_CDS	Digital Input	Digital Input
76	N_CS C1/D1	Not connected	Digital Input
77	MOSI	Digital Input	Digital Input
78	Main_CLK	Digital Input	Digital Input
79	Load_Pulse	Digital Input	Digital Input
80	VSS	Ground	Ground
81	VDD	3.3V	3.3V
82	VDD	3.3V	3.3V
83	VDDA	VDDA	3.3V Analogue
84	VDDA	VDDA	3.3V Analogue
85	N_CS A1/B1	Digital Input	Digital Input
86	SAMPLE	Digital Input	Digital Input

Pin	Signal Name	Signal Name	Type
	DR-4k-3.5-LCC DR-2x2k-7-LCC	DR-2k-7-LCC	
87	RST_CVC	Digital Input	Digital Input
88	SCLK	Digital Input	Digital Input
89	MISO A1/B1	Digital Output	Digital Output
90	VSS	Ground	Ground

From LCC version v2.0 there is a separation from chip analogue power to other supplies but without separation on GND pins.

12.2 Connectors for different versions of Invar headboard packages

All Dragster modules, have up to 4 Molex connectors with 120 pin and reference 055339-1208.

The below table indicates which connectors are present for the different chip versions.

Chip version	Present connectors	Connector Reference
DR-2k-7-LCC		
DR-2x2k-7-LCC	Not applied	-----
DR-4k-3.5-LCC		
DR-4k-7-Invar	Connector 1	Molex 055339-1208
DR-2k-7-Invar		
DR-2x2k-7-Invar		
DR-4k-3.5-Invar	Connector 1 & Connector 2	Molex 055339-1208
DR-2x4k-7-Invar		
DR-6k-7-Invar		
DR-8k-3.5-Invar		
DR-8k-7-Invar	Connector 1 & Connector 3	Molex 055339-1208
DR-2x8k-7-Invar		
DR-16k-3.5-Invar	Connector 1 - 4	Molex 055339-1208

Table 14: Connectors for different chip versions

12.2.1 Connector number identification and pin numbers

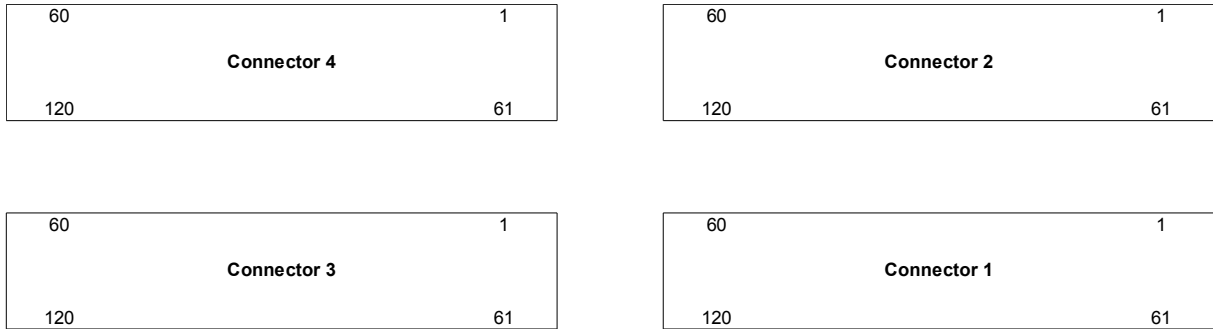


Fig 42: Identification of connector number and pin numbers, DR-16K-3.5 back view

12.3 Connector signal assignment for Invar head board DR-2x2k-7-Invar, DR-4k-3.5-Invar, DR-2k-7-Invar

For DR-2k-7-Invar Connector 2 is present but not required. Only the powers present on the connector are routed to the sensor. Connector 2 can be left completely unconnected for DR-2k-7-Invar.

12.3.1 Connector 1

Pin Number	Signal Name	Signal Type
1	N_CS_AB_1	Dig in
2	MISO_AB_1	Dig out
3	VDDA	VDDA
4	VDDD	VDDD
5	VSSA	GND
6	VSS_BULK	GND
7	VSSD	GND
8	LOAD_PULSE_AB_1	Dig in
9	VDDIO	VDDIO
10	END_ADC_AB_1	Dig out
11	VDDA	VDDA
12	VDD_BULK	VDD_Bulk
13	VDDD	VDDD
14	VDDES	VDDES
15	VSSA	GND
16	VSS_BULK	GND
17	VSSD	GND
18	VDDIO	VDDIO
19	TEST_MUX_AB_1	analogue monitor leave n.c.
20	VDDA	VDDA
21	VDDD	VDDD
22	VSSA	GND
23	VSS_BULK	GND
24	VSSD	GND
25	VSSD/IO	GND
26	PIXEL_CLK_AB_1	Dig out
27	VCLAMP_AB_1	VDDA
28	SAMPLE_AB	Dig in
29	RST_CDS_AB	Dig in
30	RST_CVC_AB	Dig in
31	Not Connected	
32	SCLK_AB_EF	Dig in
33	MOSI_AB_EF	dig in
34	Not Connected	
35	VDDA	VDDA
36	VDD_BULK	VDD_Bulk

Pin Number	Signal Name	Signal Type
37	VDDD	VDDD
38	VDDESD	VDDESD
39	VSSA	GND
40	VSS_BULK	GND
41	VSSD	GND
42	Not Connected	
43	VDDIO	VDDIO
44	Not Connected	
45	VDDA	VDDA
46	VDDD	VDDD
47	VSSA	GND
48	VSSD	GND
49	VDDIO	VDDIO
50	Not Connected	
51	VDDA	VDDA
52	VDD_BULK	VDD_Bulk
53	VDDD	VDDD
54	VDDESD	VDDESD
55	VSSA	GND
56	VSS_BULK	GND
57	VSSD	GND
58	N_RESET_AB	Dig in
59	Not Connected	
60	Not Connected	
61	VSSESD/IO	GND
62	LVAL_AB_1	Dig out
63	BIT_12_TAP_A1	Dig out
64	BIT_11_TAP_A1	Dig out
65	BIT_10_TAP_A1	Dig out
66	BIT_09_TAP_A1	Dig out
67	BIT_08_TAP_A1	Dig out
68	BIT_07_TAP_A1	Dig out
69	BIT_06_TAP_A1	Dig out
70	BIT_05_TAP_A1	Dig out
71	BIT_04_TAP_A1	Dig out
72	BIT_03_TAP_A1	Dig out
73	BIT_02_TAP_A1	Dig out
74	BIT_01_TAP_A1	Dig out
75	BIT_00_TAP_A1	Dig out
76	VSSESD/IO	GND
77	BIT_00_TAP_B1	Dig out
78	BIT_01_TAP_B1	Dig out
79	BIT_02_TAP_B1	Dig out
80	BIT_03_TAP_B1	Dig out
81	BIT_04_TAP_B1	Dig out
82	BIT_05_TAP_B1	Dig out
83	BIT_06_TAP_B1	Dig out
84	BIT_07_TAP_B1	Dig out

85	BIT_08_TAP_B1	Dig out
86	BIT_09_TAP_B1	Dig out
87	BIT_10_TAP_B1	Dig out
88	BIT_11_TAP_B1	Dig out
89	BIT_12_TAP_B1	Dig out
90	MAIN_CLK	Dig in
91	VSSSED/IO	GND
92	Not Connected	
93	Not Connected	
94	Not Connected	
95	Not Connected	
96	Not Connected	
97	Not Connected	
98	Not Connected	
99	Not Connected	
100	Not Connected	
101	Not Connected	
102	Not Connected	
103	Not Connected	
104	Not Connected	
105	Not Connected	
106	VSSSED/IO	GND
107	Not Connected	
108	Not Connected	
109	Not Connected	
110	Not Connected	
111	Not Connected	
112	Not Connected	
113	Not Connected	
114	Not Connected	
115	Not Connected	
116	Not Connected	
117	Not Connected	
118	Not Connected	
119	Not Connected	
120	VSSSED/IO	GND



Note: SCLK and MOSI are connected between connector 1 and connector 3 in the headboard, resulting names are SCLK_AB_EF and MOSI_AB_EF. User just needs to provide the headboard one pair of this signals to connector 1 or 3 to communicate with the SPI's, taking the advantage that 2 IO lines from the control unit (FPGA or CPLD) are saved. Each SPI can be selected individually by selecting respective negative chip select pin.

12.3.2 Connector 2

Pin Number	Signal Name	Signal Type
1	VSSESD/IO	GND
2	LVAL_CD_1	Dig out
3	BIT_12_TAP_C1	Dig out
4	BIT_11_TAP_C1	Dig out
5	BIT_10_TAP_C1	Dig out
6	BIT_09_TAP_C1	Dig out
7	BIT_08_TAP_C1	Dig out
8	BIT_07_TAP_C1	Dig out
9	BIT_06_TAP_C1	Dig out
10	BIT_05_TAP_C1	Dig out
11	BIT_04_TAP_C1	Dig out
12	BIT_03_TAP_C1	Dig out
13	BIT_02_TAP_C1	Dig out
14	BIT_01_TAP_C1	Dig out
15	BIT_00_TAP_C1	Dig out
16	VSSESD/IO	GND
17	BIT_00_TAP_D1	Dig out
18	BIT_01_TAP_D1	Dig out
19	BIT_02_TAP_D1	Dig out
20	BIT_03_TAP_D1	Dig out
21	BIT_04_TAP_D1	Dig out
22	BIT_05_TAP_D1	Dig out
23	BIT_06_TAP_D1	Dig out
24	BIT_07_TAP_D1	Dig out
25	BIT_08_TAP_D1	Dig out
26	BIT_09_TAP_D1	Dig out
27	BIT_10_TAP_D1	Dig out
28	BIT_11_TAP_D1	Dig out
29	BIT_12_TAP_D1	Dig out
30	Not Connected	
31	VSSESD/IO	GND
32	Not Connected	
33	Not Connected	
34	Not Connected	
35	Not Connected	
36	Not Connected	
37	Not Connected	
38	Not Connected	
39	Not Connected	
40	Not Connected	
41	Not Connected	
42	Not Connected	
43	Not Connected	
44	Not Connected	
45	Not Connected	
46	VSSESD/IO	GND

47	Not Connected	
48	Not Connected	
49	Not Connected	
50	Not Connected	
51	Not Connected	
52	Not Connected	
53	Not Connected	
54	Not Connected	
55	Not Connected	
56	Not Connected	
57	Not Connected	
58	Not Connected	
59	Not Connected	
60	VSS/IO	GND
61	N_CS_CD_1	Dig in
62	MISO_CD_1	Dig out
63	VDDA	VDDA
64	VDDD	VDDD
65	VSSA	GND
66	VSS_BULK	GND
67	VSSD	GND
68	LOAD_PULSE_CD_1	Dig in
69	VDDIO	VDDIO
70	END_ADC_CD_1	Dig out
71	VDDA	VDDA
72	VDD_BULK	VDD_Bulk
73	VDDD	VDDD
74	VDD/IO	VDD/IO
75	VSSA	GND
76	VSS_BULK	GND
77	VSSD	GND
78	VDDIO	VDDIO
79	TEST_MUX_CD_1	analogue monitor leave n.c.
80	VDDA	VDDA
81	VDDD	VDDD
82	VSSA	GND
83	VSS_BULK	GND
84	VSSD	GND
85	VSS/IO	GND
86	PIXEL_CLK_CD_1	Dig out
87	VCLAMP_CD_1	VDDA
88	SAMPLE_CD	Dig in
89	RST_CDS_CD	Dig in
90	RST_CVC_CD	Dig in
91	Not Connected	
92	SCLK_CD_GH	Dig in
93	MOSI_CD_GH	Dig in
94	Not Connected	
95	VDDA	VDDA
96	VDD_BULK	VDD_Bulk

Pin Number	Signal Name	Signal Type
97	VDDD	VDDD
98	VDDES	VDDES
99	VSSA	GND
100	VSS_BULK	GND
101	VSSD	GND
102	Not Connected	
103	VDDIO	VDDIO
104	Not Connected	
105	VDDA	VDDA
106	VDDD	VDDD
107	VSSA	GND
108	VSSD	GND
109	VDDIO	VDDIO
110	Not Connected	
111	VDDA	VDDA
112	VDD_BULK	VDD_Bulk
113	VDDD	VDDD
114	VDDES	VDDES
115	VSSA	GND
116	VSS_BULK	GND
117	VSSD	GND
118	N_RESET_CD	Dig in
119	Not Connected	
120	Not Connected	



Note: SCLK and MOSI are connected between connector 2 and connector 4 in the headboard, resulting names are SCLK_CD_GH and MOSI_CD_GH. The user just need to provide to the headboard one pair of this signals to connector 2 or 4 to communicate with the SPI's, taking the advantage that 2 IO lines from the control unit (FPGA or CPLD) are saved. Each SPI can be selected individually by selecting respective negative chip select pin.

12.4 Connector signal assignment for Invar head board variations DR-4k-7, DR-8k-7, DR-8k-3.5, DR-16k-3.5, DR-2x4k-7, DR-2x8k-7

The signal assignment for all Invar type headboards is identical, though for smaller chip versions some connectors may not be present. The pin numbers are cyclic, when looking on the connector form the connector side right to left.

12.4.1 Connector 1

Pin Number	Signal Name	Signal Type
1	N_CS_AB_1	Dig in
2	MISO_AB_1	Dig out
3	VDDA	VDDA
4	VDDD	VDDD
5	VSSA	GND
6	VSS_BULK	GND
7	VSSD	GND
8	LOAD_PULSE_AB_1	Dig in
9	VDDIO	VDDIO
10	END_ADC_AB_1	Dig out
11	VDDA	VDDA
12	VDD_BULK	VDD_Bulk
13	VDDD	VDDD
14	VDDESD	VDDESD
15	VSSA	GND
16	VSS_BULK	GND
17	VSSD	GND
18	VDDIO	VDDIO
19	TEST_MUX_AB_1	analogue monitor leave n.c.
20	VDDA	VDDA
21	VDDD	VDDD
22	VSSA	GND
23	VSS_BULK	GND
24	VSSD	GND
25	VSSESD/IO	GND
26	PIXEL_CLK_AB_1	Dig_out
27	VCLAMP_AB_1	VDDA
28	SAMPLE_AB	Dig in
29	RST_CDS_AB	Dig in
30	RST_CVC_AB	Dig in
31	N_CS_AB_2	Dig in
32	SCLK_AB_EF	Dig in
33	MOSI_AB_EF	dig in
34	MISO_AB_2	Dig out
35	VDDA	VDDA
36	VDD_BULK	VDD_Bulk
37	VDDD	VDDD
38	VDDESD	VDDESD

Pin Number	Signal Name	Signal Type
39	VSSA	GND
40	VSS_BULK	GND
41	VSSD	GND
42	LOAD_PULSE_AB_2	Dig in
43	VDDIO	VDDIO
44	END_ADC_AB_2	Dig out
45	VDDA	VDDA
46	VDDD	VDDD
47	VSSA	GND
48	VSSD	GND
49	VDDIO	VDDIO
50	TEST_MUX_AB_2	analogue monitor leave n.c.
51	VDDA	VDDA
52	VDD_BULK	VDD Bulk
53	VDDD	VDDD
54	VDDES	VDDES
55	VSSA	GND
56	VSS_BULK	GND
57	VSSD	GND
58	N_RESET_AB	Dig in
59	PIXEL_CLOCK_AB_2	Dig out
60	VCLAMP_AB_2	VDDA
61	VSSD/IO	GND
62	LVAL_AB_1	Dig out
63	BIT_12_TAP_A1	Dig out
64	BIT_11_TAP_A1	Dig out
65	BIT_10_TAP_A1	Dig out
66	BIT_09_TAP_A1	Dig out
67	BIT_08_TAP_A1	Dig out
68	BIT_07_TAP_A1	Dig out
69	BIT_06_TAP_A1	Dig out
70	BIT_05_TAP_A1	Dig out
71	BIT_04_TAP_A1	Dig out
72	BIT_03_TAP_A1	Dig out
73	BIT_02_TAP_A1	Dig out
74	BIT_01_TAP_A1	Dig out
75	BIT_00_TAP_A1	Dig out
76	VSSD/IO	GND
77	BIT_00_TAP_B1	Dig out
78	BIT_01_TAP_B1	Dig out
79	BIT_02_TAP_B1	Dig out
80	BIT_03_TAP_B1	Dig out
81	BIT_04_TAP_B1	Dig out
82	BIT_05_TAP_B1	Dig out
83	BIT_06_TAP_B1	Dig out
84	BIT_07_TAP_B1	Dig out
85	BIT_08_TAP_B1	Dig out
86	BIT_09_TAP_B1	Dig out

87	BIT_10_TAP_B1	Dig out
88	BIT_11_TAP_B1	Dig out
89	BIT_12_TAP_B1	Dig out
90	MAIN_CLK	Dig in
91	VSSSED/IO	GND
92	LVAL_AB_2	Dig out
93	BIT_12_TAP_A2	Dig out
94	BIT_11_TAP_A2	Dig out
95	BIT_10_TAP_A2	Dig out
96	BIT_09_TAP_A2	Dig out
97	BIT_08_TAP_A2	Dig out
98	BIT_07_TAP_A2	Dig out
99	BIT_06_TAP_A2	Dig out
100	BIT_05_TAP_A2	Dig out
101	BIT_04_TAP_A2	Dig out
102	BIT_03_TAP_A2	Dig out
103	BIT_02_TAP_A2	Dig out
104	BIT_01_TAP_A2	Dig out
105	BIT_00_TAP_A2	Dig out
106	VSSSED/IO	GND
107	BIT_00_TAP_B2	Dig out
108	BIT_01_TAP_B2	Dig out
109	BIT_02_TAP_B2	Dig out
110	BIT_03_TAP_B2	Dig out
111	BIT_04_TAP_B2	Dig out
112	BIT_05_TAP_B2	Dig out
113	BIT_06_TAP_B2	Dig out
114	BIT_07_TAP_B2	Dig out
115	BIT_08_TAP_B2	Dig out
116	BIT_09_TAP_B2	Dig out
117	BIT_10_TAP_B2	Dig out
118	BIT_11_TAP_B2	Dig out
119	BIT_12_TAP_B2	Dig out
120	VSSSED/IO	GND



Note: SCLK and MOSI are connected between connector 1 and connector 3 in the headboard, resulting names are SCLK_AB_EF and MOSI_AB_EF. User just need to provide to the headboard one pair of this signals to connector 1 or 3 to communicate with the SPI's, taking the advantage that 2 IO lines from the control unit (FPGA or CPLD) are saved. Each SPI can be selected individually by selecting respective negative chip select pin.

12.4.2 Connector 2

Pin Number	Signal Name	Signal Type
1	VSSED/IO	GND
2	LVAL_CD_1	Dig out
3	BIT_12_TAP_C1	Dig out
4	BIT_11_TAP_C1	Dig out
5	BIT_10_TAP_C1	Dig out
6	BIT_09_TAP_C1	Dig out
7	BIT_08_TAP_C1	Dig out
8	BIT_07_TAP_C1	Dig out
9	BIT_06_TAP_C1	Dig out
10	BIT_05_TAP_C1	Dig out
11	BIT_04_TAP_C1	Dig out
12	BIT_03_TAP_C1	Dig out
13	BIT_02_TAP_C1	Dig out
14	BIT_01_TAP_C1	Dig out
15	BIT_00_TAP_C1	Dig out
16	VSSED/IO	GND
17	BIT_00_TAP_D1	Dig out
18	BIT_01_TAP_D1	Dig out
19	BIT_02_TAP_D1	Dig out
20	BIT_03_TAP_D1	Dig out
21	BIT_04_TAP_D1	Dig out
22	BIT_05_TAP_D1	Dig out
23	BIT_06_TAP_D1	Dig out
24	BIT_07_TAP_D1	Dig out
25	BIT_08_TAP_D1	Dig out
26	BIT_09_TAP_D1	Dig out
27	BIT_10_TAP_D1	Dig out
28	BIT_11_TAP_D1	Dig out
29	BIT_12_TAP_D1	Dig out
30	NC	not connected
31	VSSED/IO	GND
32	LVAL_CD_2	Dig out
33	BIT_12_TAP_C2	Dig out
34	BIT_11_TAP_C2	Dig out
35	BIT_10_TAP_C2	Dig out
36	BIT_09_TAP_C2	Dig out
37	BIT_08_TAP_C2	Dig out
38	BIT_07_TAP_C2	Dig out
39	BIT_06_TAP_C2	Dig out
40	BIT_05_TAP_C2	Dig out
41	BIT_04_TAP_C2	Dig out
42	BIT_03_TAP_C2	Dig out
43	BIT_02_TAP_C2	Dig out
44	BIT_01_TAP_C2	Dig out
45	BIT_00_TAP_C2	Dig out
46	VSSED/IO	GND

Pin Number	Signal Name	Signal Type
47	BIT_00_TAP_D2	Dig out
48	BIT_01_TAP_D2	Dig out
49	BIT_02_TAP_D2	Dig out
50	BIT_03_TAP_D2	Dig out
51	BIT_04_TAP_D2	Dig out
52	BIT_05_TAP_D2	Dig out
53	BIT_06_TAP_D2	Dig out
54	BIT_07_TAP_D2	Dig out
55	BIT_08_TAP_D2	Dig out
56	BIT_09_TAP_D2	Dig out
57	BIT_10_TAP_D2	Dig out
58	BIT_11_TAP_D2	Dig out
59	BIT_12_TAP_D2	Dig out
60	VSSED/IO	GND
61	N_CS_CD_1	Dig in
62	MISO_CD_1	Dig out
63	VDDA	VDDA
64	VDDD	VDDD
65	VSSA	GND
66	VSS_BULK	GND
67	VSSD	GND
68	LOAD_PULSE_CD_1	Dig in
69	VDDIO	VDDIO
70	END_ADC_CD_1	Dig out
71	VDDA	VDDA
72	VDD_BULK	VDD_Bulk
73	VDDD	VDDD
74	VDDES	VDDES
75	VSSA	GND
76	VSS_BULK	GND
77	VSSD	GND
78	VDDIO	VDDIO
79	TEST_MUX_CD_1	analogue monitor leave n.c.
80	VDDA	VDDA
81	VDDD	VDDD
82	VSSA	GND
83	VSS_BULK	GND
84	VSSD	GND
85	VSSED/IO	GND
86	PIXEL_CLK_CD_1	Dig_out
87	VCLAMP_CD_1	VDDA
88	SAMPLE_CD	Dig in
89	RST_CDS_CD	Dig in
90	RST_CVC_CD	Dig in
91	N_CS_CD_2	Dig in
92	SCLK_CD_GH	Dig in
93	MOSI_CD_GH	Dig in
94	MISO_CD_2	Dig out

95	VDDA	VDDA
96	VDD_BULK	VDD_Bulk
97	VDDD	VDDD
98	VDDES	VDDES
99	VSSA	GND
100	VSS_BULK	GND
101	VSSD	GND
102	LOAD_PULSE_CD_2	Dig in
103	VDDIO	VDDIO
104	END_ADC_CD_2	Dig out
105	VDDA	VDDA
106	VDDD	VDDD
107	VSSA	GND
108	VSSD	GND
109	VDDIO	VDDIO
110	TEST_MUX_CD_2	analogue monitor leave n.c.
111	VDDA	VDDA
112	VDD_BULK	VDD_Bulk
113	VDDD	VDDD
114	VDDES	VDDES
115	VSSA	GND
116	VSS_BULK	GND
117	VSSD	GND
118	N_RESET_CD	Dig in
119	PIXEL_CLK_CD_2	Dig out
120	VCLAMP_CD_2	VDDA



Note: SCLK and MOSI are connected between connector 2 and connector 4 in the headboard, resulting names are SCLK_CD_GH and MOSI_CD_GH. The user just need to provide to the headboard one pair of this signals to connector 2 or 4 to communicate with the SPI's, taking the advantage that 2 IO lines from the control unit (FPGA or CPLD) are saved. Each SPI can be selected individually by selecting respective negative chip select pin.

12.4.3 Connector 3

Pin Number	Signal Name	Signal Type
1	N_CS_EF_1	Dig in
2	MISO_EF_1	Dig out
3	VDDA	VDDA
4	VDDD	VDDD
5	VSSA	GND
6	VSS_BULK	GND
7	VSSD	GND
8	LOAD_PULSE_EF_1	Dig in
9	VDDIO	VDDIO
10	END_ADC_EF_1	Dig out
11	VDDA	VDDA
12	VDD_BULK	VDD_Bulk
13	VDDD	VDDD
14	VDDESD	VDDESD
15	VSSA	GND
16	VSS_BULK	GND
17	VSSD	GND
18	VDDIO	VDDIO
19	TEST_MUX_EF_1	analogue monitor leave n.c.
20	VDDA	VDDA
21	VDDD	VDDD
22	VSSA	GND
23	VSS_BULK	GND
24	VSSD	GND
25	VSSESD/IO	GND
26	PIXEL_CLK_EF_1	Dig out
27	VCLAMP_EF_1	VDDA
28	SAMPLE_EF	Dig in
29	RST_CDS_EF	Dig in
30	RST_CVC_EF	Dig in
31	N_CS_EF_2	Dig in
32	SCLK_AB_EF	Dig in
33	MOSI_AB_EF	dig in
34	MISO_EF_2	Dig out
35	VDDA	VDDA
36	VDD_BULK	VDD_Bulk
37	VDDD	VDDD
38	VDDESD	VDDESD
39	VSSA	GND
40	VSS_BULK	GND
41	VSSD	GND
42	LOAD_PULSE_EF_2	Dig in
43	VDDIO	VDDIO
44	END_ADC_EF_2	Dig out
45	VDDA	VDDA
46	VDDD	VDDD

47	VSSA	GND
48	VSSD	GND
49	VDDIO	VDDIO
50	TEST_MUX_EF_2	analogue monitor leave n.c.
51	VDDA	VDDA
52	VDD_BULK	VDD Bulk
53	VDDD	VDDD
54	VDDESD	VDDESD
55	VSSA	GND
56	VSS_BULK	GND
57	VSSD	GND
58	N_RESET_EF	Dig in
59	PIXEL_CLOCK_EF_2	Dig out
60	VCLAMP_EF_2	VDDA
61	VSSED/IO	GND
62	LVAL_EF_1	Dig out
63	BIT_12_TAP_E1	Dig out
64	BIT_11_TAP_E1	Dig out
65	BIT_10_TAP_E1	Dig out
66	BIT_09_TAP_E1	Dig out
67	BIT_08_TAP_E1	Dig out
68	BIT_07_TAP_E1	Dig out
69	BIT_06_TAP_E1	Dig out
70	BIT_05_TAP_E1	Dig out
71	BIT_04_TAP_E1	Dig out
72	BIT_03_TAP_E1	Dig out
73	BIT_02_TAP_E1	Dig out
74	BIT_01_TAP_E1	Dig out
75	BIT_00_TAP_E1	Dig out
76	VSSED/IO	GND
77	BIT_00_TAP_F1	Dig out
78	BIT_01_TAP_F1	Dig out
79	BIT_02_TAP_F1	Dig out
80	BIT_03_TAP_F1	Dig out
81	BIT_04_TAP_F1	Dig out
82	BIT_05_TAP_F1	Dig out
83	BIT_06_TAP_F1	Dig out
84	BIT_07_TAP_F1	Dig out
85	BIT_08_TAP_F1	Dig out
86	BIT_09_TAP_F1	Dig out
87	BIT_10_TAP_F1	Dig out
88	BIT_11_TAP_F1	Dig out
89	BIT_12_TAP_F1	Dig out
90	MAIN_CLK	Dig in
91	VSSED/IO	GND
92	LVAL_EF_2	Dig out
93	BIT_12_TAP_E2	Dig out
94	BIT_11_TAP_E2	Dig out
95	BIT_10_TAP_E2	Dig out
96	BIT_09_TAP_E2	Dig out

Pin Number	Signal Name	Signal Type
97	BIT_08_TAP_E2	Dig out
98	BIT_07_TAP_E2	Dig out
99	BIT_06_TAP_E2	Dig out
100	BIT_05_TAP_E2	Dig out
101	BIT_04_TAP_E2	Dig out
102	BIT_03_TAP_E2	Dig out
103	BIT_02_TAP_E2	Dig out
104	BIT_01_TAP_E2	Dig out
105	BIT_00_TAP_E2	Dig out
106	VSSESD/IO	GND
107	BIT_00_TAP_F2	Dig out
108	BIT_01_TAP_F2	Dig out
109	BIT_02_TAP_F2	Dig out
110	BIT_03_TAP_F2	Dig out
111	BIT_04_TAP_F2	Dig out
112	BIT_05_TAP_F2	Dig out
113	BIT_06_TAP_F2	Dig out
114	BIT_07_TAP_F2	Dig out
115	BIT_08_TAP_F2	Dig out
116	BIT_09_TAP_F2	Dig out
117	BIT_10_TAP_F2	Dig out
118	BIT_11_TAP_F2	Dig out
119	BIT_12_TAP_F2	Dig out
120	VSSESD/IO	GND

12.4.4 Connector 4

Pin Number	Signal Name	Signal Type
1	VSSESD/IO	GND
2	LVAL_GH_1	Dig out
3	BIT_12_TAP_G1	Dig out
4	BIT_11_TAP_G1	Dig out
5	BIT_10_TAP_G1	Dig out
6	BIT_09_TAP_G1	Dig out
7	BIT_08_TAP_G1	Dig out
8	BIT_07_TAP_G1	Dig out
9	BIT_06_TAP_G1	Dig out
10	BIT_05_TAP_G1	Dig out
11	BIT_04_TAP_G1	Dig out
12	BIT_03_TAP_G1	Dig out
13	BIT_02_TAP_G1	Dig out
14	BIT_01_TAP_G1	Dig out
15	BIT_00_TAP_G1	Dig out
16	VSSESD/IO	GND
17	BIT_00_TAP_H1	Dig out
18	BIT_01_TAP_H1	Dig out
19	BIT_02_TAP_H1	Dig out
20	BIT_03_TAP_H1	Dig out
21	BIT_04_TAP_H1	Dig out
22	BIT_05_TAP_H1	Dig out
23	BIT_06_TAP_H1	Dig out
24	BIT_07_TAP_H1	Dig out
25	BIT_08_TAP_H1	Dig out
26	BIT_09_TAP_H1	Dig out
27	BIT_10_TAP_H1	Dig out
28	BIT_11_TAP_H1	Dig out
29	BIT_12_TAP_H1	Dig out
30	NC	not connected
31	VSSESD/IO	GND
32	LVAL_GH_2	Dig out
33	BIT_12_TAP_G2	Dig out
34	BIT_11_TAP_G2	Dig out
35	BIT_10_TAP_G2	Dig out
36	BIT_09_TAP_G2	Dig out
37	BIT_08_TAP_G2	Dig out
38	BIT_07_TAP_G2	Dig out
39	BIT_06_TAP_G2	Dig out
40	BIT_05_TAP_G2	Dig out
41	BIT_04_TAP_G2	Dig out
42	BIT_03_TAP_G2	Dig out
43	BIT_02_TAP_G2	Dig out
44	BIT_01_TAP_G2	Dig out
45	BIT_00_TAP_G2	Dig out
46	VSSESD/IO	GND
47	BIT_00_TAP_H2	Dig out

Pin Number	Signal Name	Signal Type
48	BIT_01_TAP_H2	Dig out
49	BIT_02_TAP_H2	Dig out
50	BIT_03_TAP_H2	Dig out
51	BIT_04_TAP_H2	Dig out
52	BIT_05_TAP_H2	Dig out
53	BIT_06_TAP_H2	Dig out
54	BIT_07_TAP_H2	Dig out
55	BIT_08_TAP_H2	Dig out
56	BIT_09_TAP_H2	Dig out
57	BIT_10_TAP_H2	Dig out
58	BIT_11_TAP_H2	Dig out
59	BIT_12_TAP_H2	Dig out
60	VSSED/IO	GND
61	N_CS_GH_1	Dig in
62	MISO_GH_1	Dig out
63	VDDA	VDDA
64	VDDD	VDDD
65	VSSA	GND
66	VSS_BULK	GND
67	VSSD	GND
68	LOAD_PULSE_GH_1	Dig in
69	VDDIO	VDDIO
70	END_ADC_GH_1	Dig out
71	VDDA	VDDA
72	VDD_BULK	VDD_Bulk
73	VDDD	VDDD
74	VDDESD	VDDESD
75	VSSA	GND
76	VSS_BULK	GND
77	VSSD	GND
78	VDDIO	VDDIO
79	TEST_MUX_GH_1	analogue monitor leave n.c.
80	VDDA	VDDA
81	VDDD	VDDD
82	VSSA	GND
83	VSS_BULK	GND
84	VSSD	GND
85	VSSED/IO	GND
86	PIXEL_CLK_GH_1	Dig_out
87	VCLAMP_GH_1	VDDA
88	SAMPLE_GH	Dig in
89	RST_CDS_GH	Dig in
90	RST_CVC_GH	Dig in
91	N_CS_GH_2	Dig in
92	SCLK_CD_GH	Dig in
93	MOSI_CD_GH	Dig in
94	MISO_GH_2	Dig out
95	VDDA	VDDA

96	VDD_BULK	VDD_Bulk
97	VDDD	VDDD
98	VDDES	VDDES
99	VSSA	GND
100	VSS_BULK	GND
101	VSSD	GND
102	LOAD_PULSE_GH_2	Dig in
103	VDDIO	VDDIO
104	END_ADC_GH_2	Dig out
105	VDDA	VDDA
106	VDDD	VDDD
107	VSSA	GND
108	VSSD	GND
109	VDDIO	VDDIO
110	TEST_MUX_GH_2	analogue monitor leave n.c.
111	VDDA	VDDA
112	VDD_BULK	VDD_Bulk
113	VDDD	VDDD
114	VDDES	VDDES
115	VSSA	GND
116	VSS_BULK	GND
117	VSSD	GND
118	N_RESET_GH	Dig in
119	PIXEL_CLK_GH_2	Dig out
120	VCLAMP_GH_2	VDDA

12.5 Connector signal assignment for Invar head board DR-6K-7

Pin Number	Signal Name	
	Bottom, Connector 1	Top, Connector 2
1	N_CS_AB_1	GND_D
2	MISO_AB_1	LVAL_EF_1
3	VDDA	Not connected
4	VDDD	BIT_11_TAP_A1
5	GND_D	BIT_10_TAP_A1
6	GND_D	BIT_09_TAP_A1
7	GND_A	BIT_08_TAP_A1
8	Load_Pulse_AB_1	BIT_07_TAP_A1
9	VDDIO	BIT_06_TAP_A1
10	End_ADC_AB_1	BIT_05_TAP_A1
11	VDDA	BIT_04_TAP_A1
12	VDD_Bulk	BIT_03_TAP_A1
13	VDDD	BIT_02_TAP_A1
14	VDDES	BIT_01_TAP_A1
15	GND_D	BIT_00_TAP_A1
16	GND_D	GND_D
17	GND_A	Not connected
18	VDDIO	Not connected
19	Test_Mux	Not connected
20	VDDA	Not connected
21	VDDD	Not connected
22	GND_D	Not connected
23	GND_D	Not connected
24	GND_D	Not connected
25	GND_A	Not connected
26	Pixel_Clk_AB_1	Not connected
27	Not connected	Not connected
28	Sample_AB	Not connected
29	RST_CDS_AB	Not connected
30	RST_CVC_AB	Not connected
31	N_CS_AB_2	GND_D
32	SCLK_AB_EF	Not connected
33	MOSI_AB_EF	Not connected
34	MISO_AB_2	Not connected
35	VDDA	Not connected
36	VDD_BULK	Not connected
37	VDDD	Not connected
38	VDDES	Not connected
39	GND_D	Not connected
40	GND_D	Not connected
41	GND_A	Not connected
42	Load_Pulse_AB_2	Not connected

43	VDDIO	Not connected
44	End_ADC_AB_2	Not connected
45	VDDA	Not connected
46	VDDD	GND_D
47	GND_D	BIT_00_TAP_F1
48	GND_A	BIT_01_TAP_F1
49	VDDIO	BIT_02_TAP_F1
50	Not connected	BIT_03_TAP_F1
51	VDDA	BIT_04_TAP_F1
52	VDD_Bulk	BIT_05_TAP_F1
53	VDDD	BIT_06_TAP_F1
54	VDDESD	BIT_07_TAP_F1
55	GND_D	BIT_08_TAP_F1
56	GND_D	BIT_09_TAP_F1
57	GND_A	BIT_10_TAP_F1
58	N_Reset_AB	BIT_11_TAP_F1
59	Pixel_Clk_AB_2	Not connected
60	Not connected	GND_D
61	GND_D	N_CS_EF_1
62	LVAL_AB_1	MISO_EF_1
63	Not connected	Not connected
64	BIT_00_TAP_B1	Not connected
65	BIT_01_TAP_B1	GND_D
66	BIT_02_TAP_B1	GND_D
67	BIT_03_TAP_B1	GND_A
68	BIT_04_TAP_B1	Load Pulse EF 1
69	BIT_05_TAP_B1	Not connected
70	BIT_06_TAP_B1	End_ADC_EF_1
71	BIT_07_TAP_B1	Not connected
72	BIT_08_TAP_B1	Not connected
73	BIT_09_TAP_B1	Not connected
74	BIT_10_TAP_B1	Not connected
75	BIT_11_TAP_B1	GND_D
76	GND_D	GND_D
77	BIT_11_TAP_A2	GND_A
78	BIT_10_TAP_A2	Not connected
79	BIT_09_TAP_A2	Not connected
80	BIT_08_TAP_A2	Not connected
81	BIT_07_TAP_A2	Not connected
82	BIT_06_TAP_A2	GND_D
83	BIT_05_TAP_A2	GND_D
84	BIT_04_TAP_A2	GND_D
85	BIT_03_TAP_A2	GND_A
86	BIT_02_TAP_A2	Pixel_Clk_EF_1
87	BIT_01_TAP_A2	Not connected
88	BIT_00_TAP_A2	Sample_EF
89	Not connected	RST_CDS_EF
90	Main_Clk	RST_CVC_EF
91	GND_D	ID_Chip

92	LVAL_AB_2	Not connected
93	Not connected	Not connected
94	BIT_00_TAP_B2	Not connected
95	BIT_01_TAP_B2	Not connected
96	BIT_02_TAP_B2	Not connected
97	BIT_03_TAP_B2	Not connected
98	BIT_04_TAP_B2	Not connected
99	BIT_05_TAP_B2	GND_D
100	BIT_06_TAP_B2	GND_D
101	BIT_07_TAP_B2	GND_A
102	BIT_08_TAP_B2	Not connected
103	BIT_09_TAP_B2	Not connected
104	BIT_10_TAP_B2	Not connected
105	BIT_11_TAP_B2	Not connected
106	GND_D	3.3V_Digital
107	BIT_11_TAP_E1	GND_D
108	BIT_10_TAP_E1	GND_A
109	BIT_09_TAP_E1	Not connected
110	BIT_08_TAP_E1	Not connected
111	BIT_07_TAP_E1	Not connected
112	BIT_06_TAP_E1	Not connected
113	BIT_05_TAP_E1	Not connected
114	BIT_04_TAP_E1	3.3V_Digital
115	BIT_03_TAP_E1	GND_D
116	BIT_02_TAP_E1	GND_D
117	BIT_01_TAP_E1	GND_A
118	BIT_00_TAP_E1	N_Reset_EF
119	Not connected	Not connected
120	GND_D	Not connected