

DRPC-120-BT

- Fanless DIN-Rail Embedded System
- Intel® E3845 1.91GHz Solution



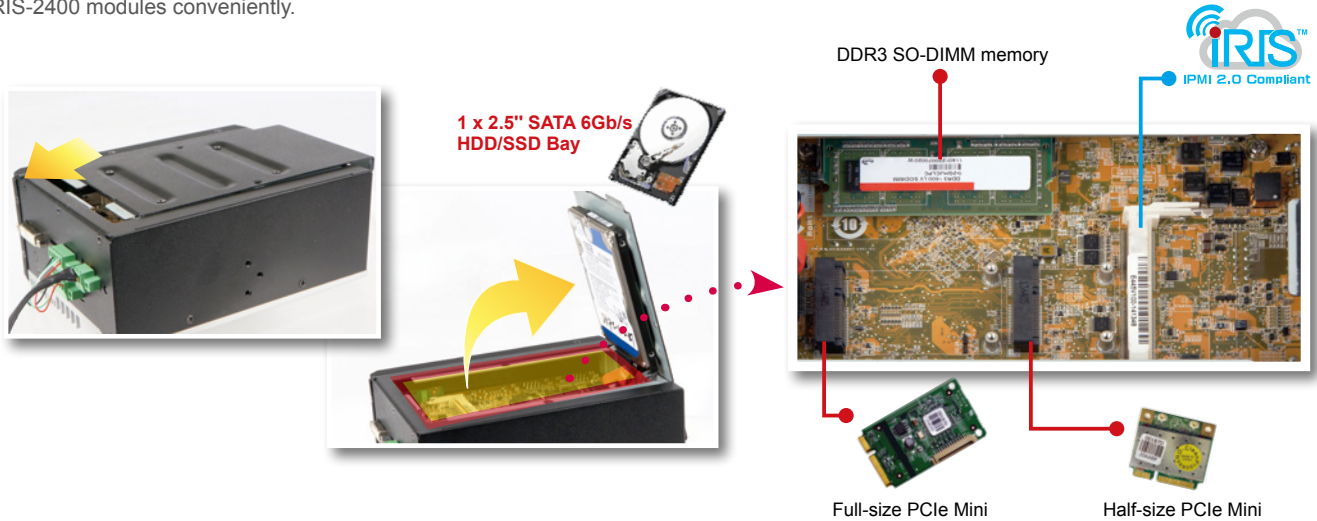
Features

- Intel® Atom™ E3845 1.91GHz
- 1 x 2.5" SATA HDD/SSD drive bay
- DDR3L 1.35V SO-DIMM support
- Programmable OLED display
- 8-bit digital I/O (4-bit inputs/outputs)
- IEI iRIS-2400 solution



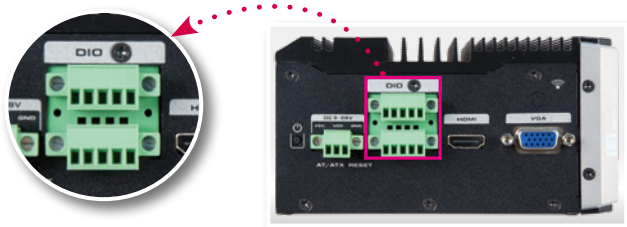
User Friendly Installation

The DRPC-120 is designed with an easy removable back cover for users to install SATA HDD, PCIe Mini cards, DDR3 memory modules or iRIS-2400 modules conveniently.



8-Channel Digital I/O

The DRPC-120 is outfitted with 8-channel (4-bit input and 4-bit output) digital I/O to provide digital input and output signals for control of industrial devices.



Fanless

The DRPC-120 series provides the best components for generating less heat, while maintaining high system performance. With the fanless design, the DRPC-120 reduces system failure caused by fans and extends the lifetime of the device.



iRIS Solution

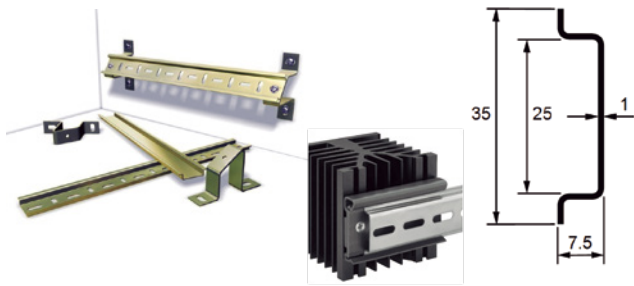


IPMI 2.0 Compliant

By installing the IEI iRIS-2400 module, the DRPC-120 is capable to complete your IoT application through the advanced remote control features, such as power management and control, remote KVM for device status monitoring, sending active alerts and warning messages by e-mail or SMS.

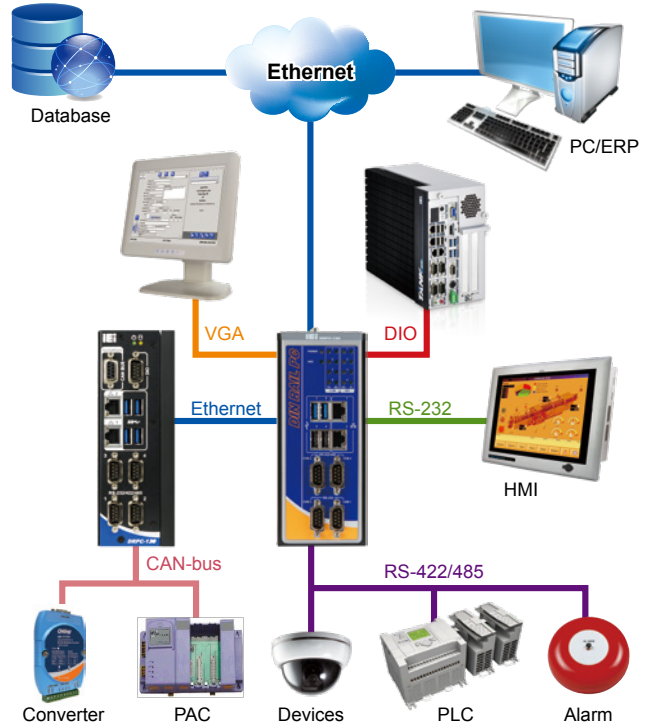
DIN Rail Standard

A DIN rail is a metal rail of a standard type widely used for mounting circuit breakers and industrial control equipment inside equipment racks. These products are typically made from cold rolled carbon steel sheet with a zinc-plated and chromated bright surface finish. The term derives from the original specifications having been published by Deutsches Institut für Normung (DIN) in Germany, which have since been adopted as European (EN) and international (ISO) standards.



Communication Gateway

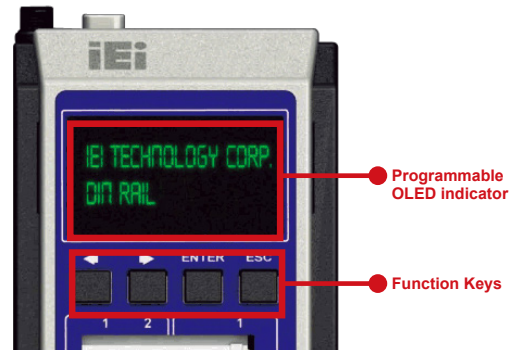
For high surge ESD automation environments, the DRPC series provides isolated digital IO, CAN-bus and serial communication ports.



OLED Indicator Function

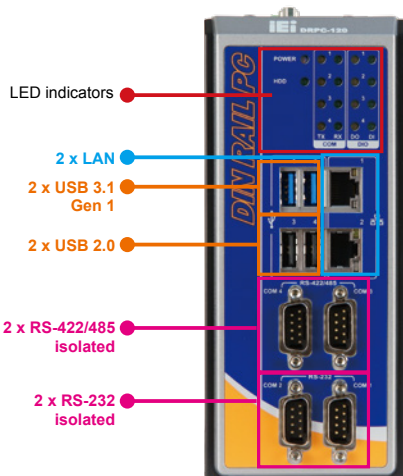
- **Programmable OLED Display**
Users can program their own APIs to show any information by the OLED display.
- **Programmable Function Keys**
Users can program the four keys to control OLED display.
- **Terminal Screen & Status Display**
It supports both text format and graphic format.
- **Protocol & Demo Source Code Open**
IEI provides the protocol & demo source code for users to program their own usage.

DRPC-120 OLED indicator



Fully Integrated I/O

Front View



Top Side View

