



# DRS1/DRS4 SERIES ACCESSORIES



### Features

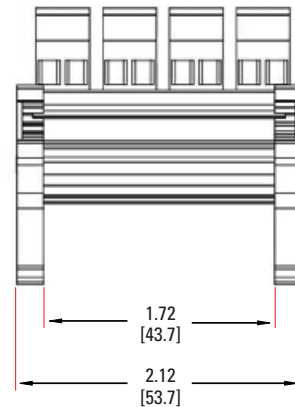
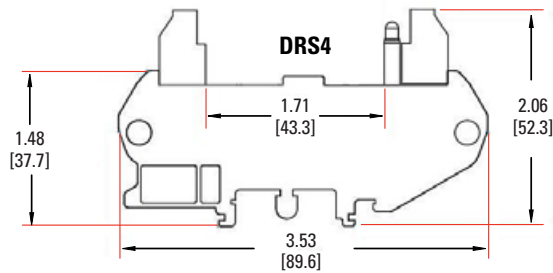
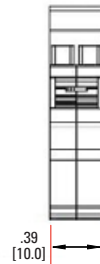
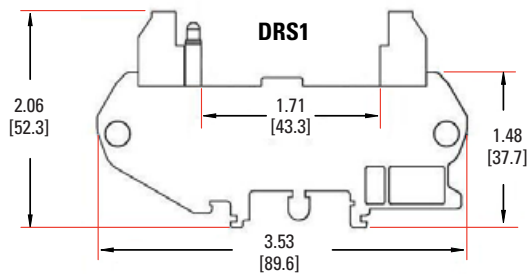
- 10 mm Single Channel and 54mm Four Channel DIN Rail Mount Sockets
- Input status LED for either 3 to 15, 20-28 or 15-32 VDC control
- Cage style screw terminals for easy connection
- Fits standard 35mm DIN rail

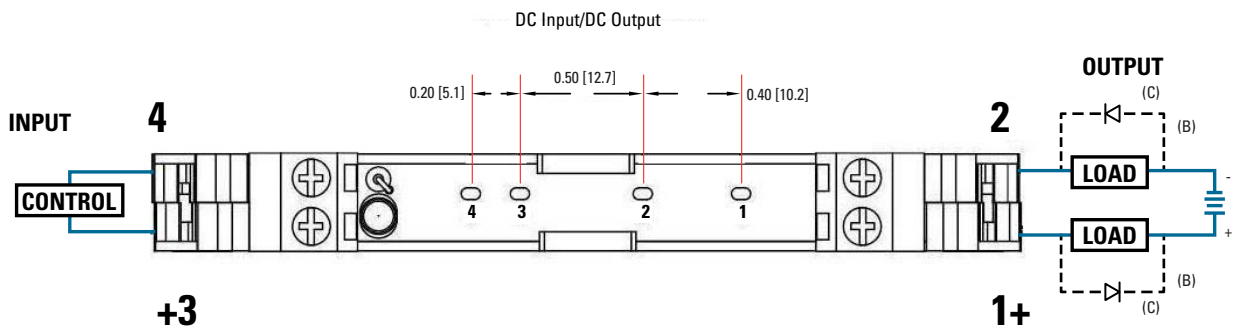
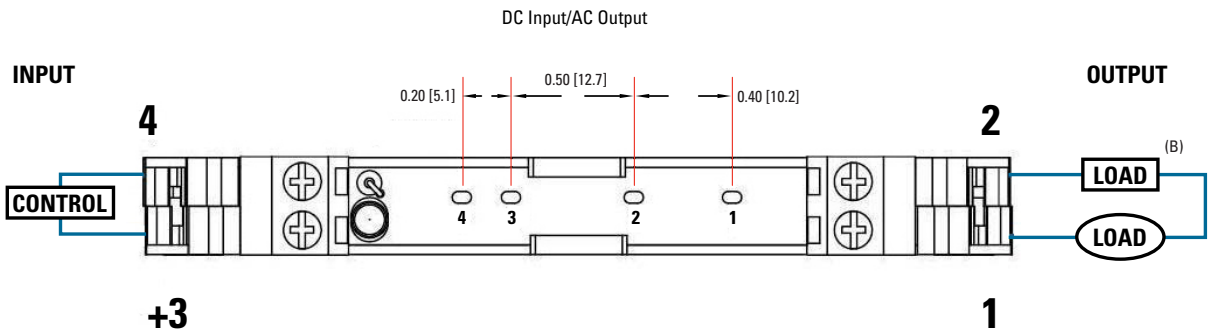
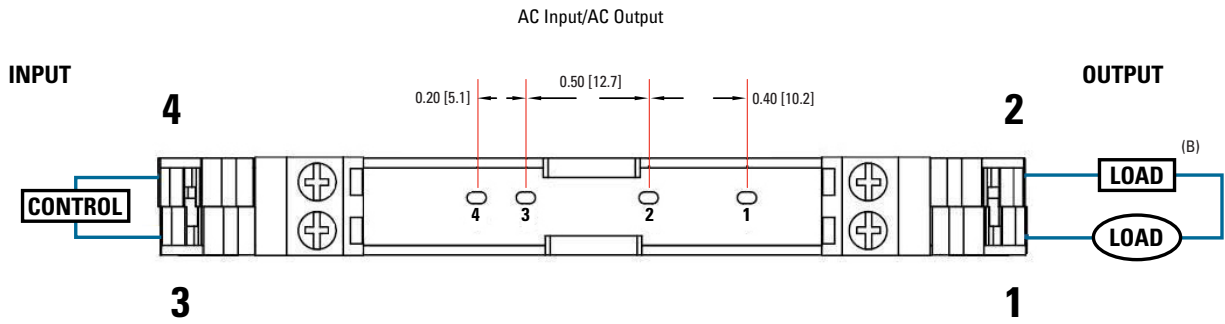
### PRODUCT SELECTION

Description	Parameters
Single Channel	DRS1
Four Channel	DRS4

### MECHANICAL SPECIFICATIONS

Tolerances: ±0.02 in / 0.5 mm  
 All dimensions are in: inches [millimeters]

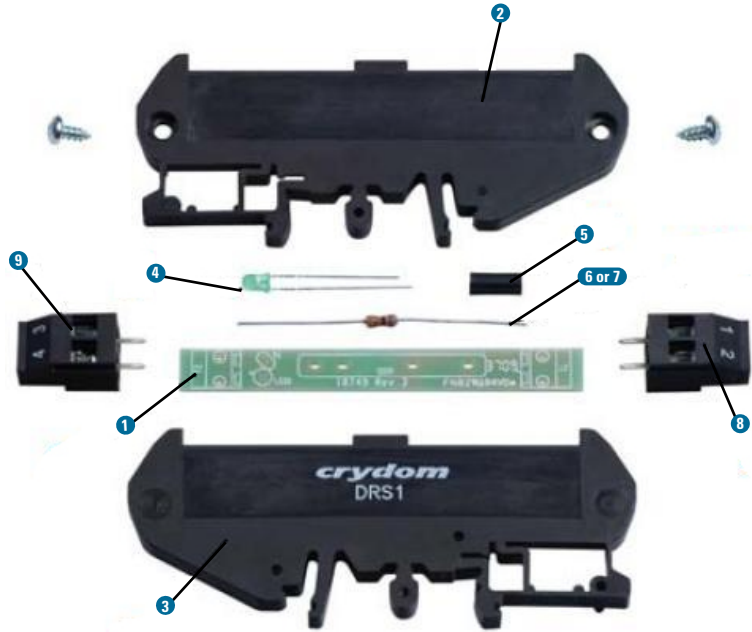




### DRS1 - SINGLE CHANNEL SOCKET (D)

List of parts included in the kit	Quantity
1 Printed circuit board	1
2 Housing - right side (includes 2 screws)	1
3 Housing - left side	1
4 Green LED	1
5 LED standoff	1

List of parts included in the kit	Quantity
6 Resistor 1K $\Omega$ , 0.25W (brown-black-red)	1
7 Resistor 4.7K $\Omega$ , 0.25W (yellow-violet-red)	1
8 Outside terminal block	1
9 Input terminal block	1



### DRS4 - FOUR CHANNEL SOCKET (D)

List of parts included in the kit	Quantity
1 Printed circuit board	1
2 Housing - right side (includes 2 screws)	1
3 Housing - left side (includes 2 screws)	1
4 Profile extrusion	1
5 Green LED	4

List of parts included in the kit	Quantity
6 LED standoff	4
7 Resistor 1K $\Omega$ , 0.25W (brown-black-red)	4
8 Resistor 4.7K $\Omega$ , 0.25W (yellow-violet-red)	4
9 Outside terminal block	4
10 Input terminal block	4

