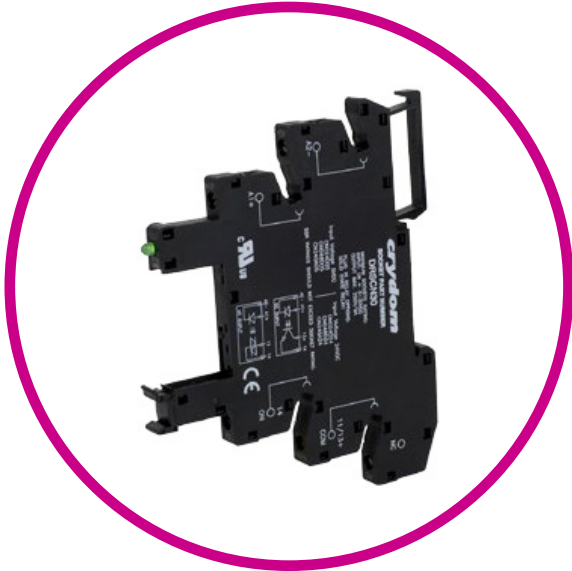




DRSCN SERIES

DIN RAIL MOUNTABLE SOCKETS



Features

- 6.2mm Din Rail (35mm) Mount Socket
- LED input status indicator
- Compatible with CN Series SSR
- UL & cUL recognized
- CE & RoHS Compliant



SPECIFICATIONS

Product Selection

Control Voltage	Part Number
4-30 VDC	DRSCN30
3-12 VDC	DRSCN05
15-30 VDC	DRSCN24

Relay/Socket Compatibility ⁽¹⁾ ⁽²⁾

Control Voltage	DRSCN30	DRSCN05	DRSCN24
CN024D05	•	•	
CN024D24	•		•
CN048D05	•	•	
CN048D24	•		•
CN100D05	•	•	
CN100D24	•		•
CN240A05	•	•	
CN240A24	•		•

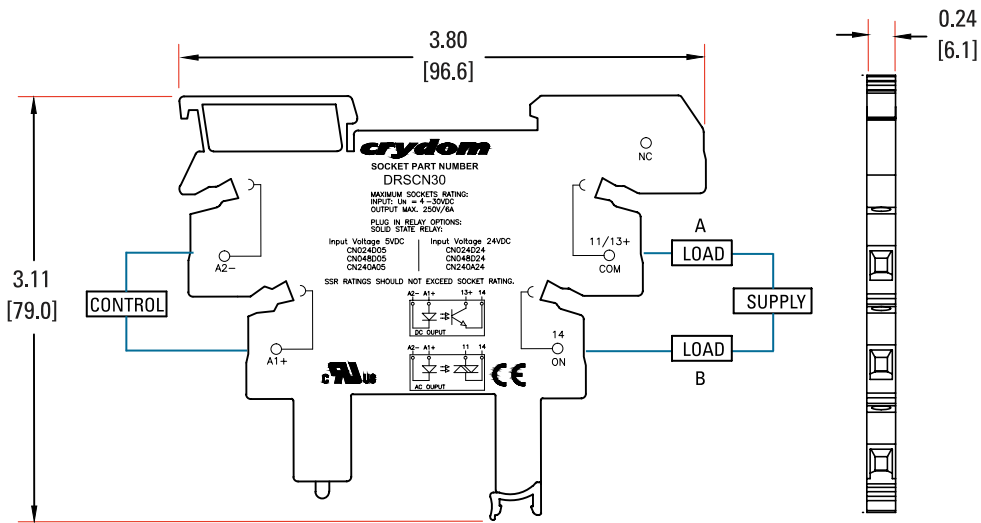


DIMENSIONS

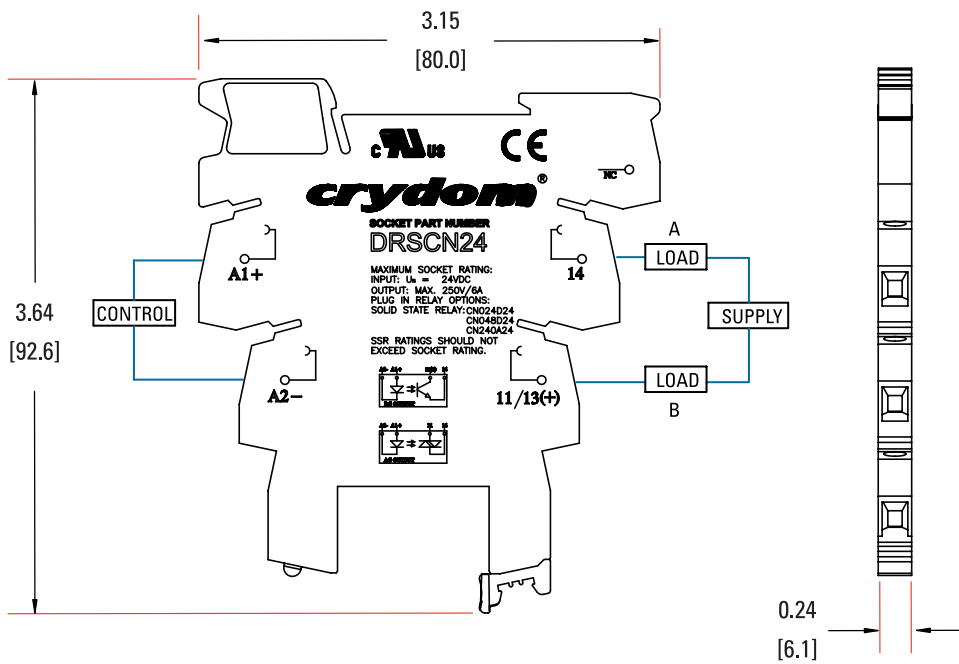
Tolerance: ± 0.02 in / 0.5 mm

All dimensions are in inches [millimeters]

DRSCN30



DRSCN05 & DRSCN24





ACCESSORIES

ID Marker Strips CNLB, CNLN, CNL2



Blank Strips

Part no.: CNLB

A package of 10 plastic strips comprising 10 individual unprinted markers which can be placed on sockets' terminal block for easy identification during the use of multiple units.

Numbered 1 to 10 Strips

Part no.: CNLN

A package of 10 plastic strips comprising 10 markers printed individually from 1 to 10 which can be placed on sockets' terminal block for easy identification during the use of multiple units.

Numbered 11 to 20 Strips

Part no.: CNL2

A package of 10 plastic strips comprising 10 markers printed individually from 11 to 20 which can be placed on sockets' terminal block for easy identification during the use of multiple units.



GENERAL NOTES

⁽¹⁾ Note Installing a CN Series relay in a socket that does not have matching input/output specs may result in non-operation or damage to either the relay, socket or both.

⁽²⁾ Not Maximum output rating for DRSCN socket is 250 V, 6 A regardless of chosen SSR.



AGENCY APPROVALS & CERTIFICATIONS

UL® E334072 (DRSCN05 & DRSCN24)
E346266 (DRSCN30)

