

# DS9488-GP8/DS9122x Evaluation System

# Multi-Device Programmer for 1-Wire and I2C Devices

## General Description

The DS9488-GP8 multi-device programmer for 1-Wire® and I2C devices simultaneously programs up to 8 devices that use the 1-Wire or I2C bus programming interface. A variety of socket adapters (DS9122 series) allows one programmer to support multiple IC types. Software plugins for every supported device are quickly and easily installed. LED status indicators immediately identify the pass/fail status of individual devices.

Configuration settings allow access to device-specific features such as memory protection, read/write permissions, authentication, etc. These can be store as a configuration profile and automatically loaded in subsequent programming sessions.

A USB interface connects the programmer to any computer. A convenient Windows® application allows for easy operation of the programmer.

Available socket adapters allow the DS9488-GP8 to program a variety of Maxim devices. The [Ordering Information](#) lists the socket adapters and the devices they support.

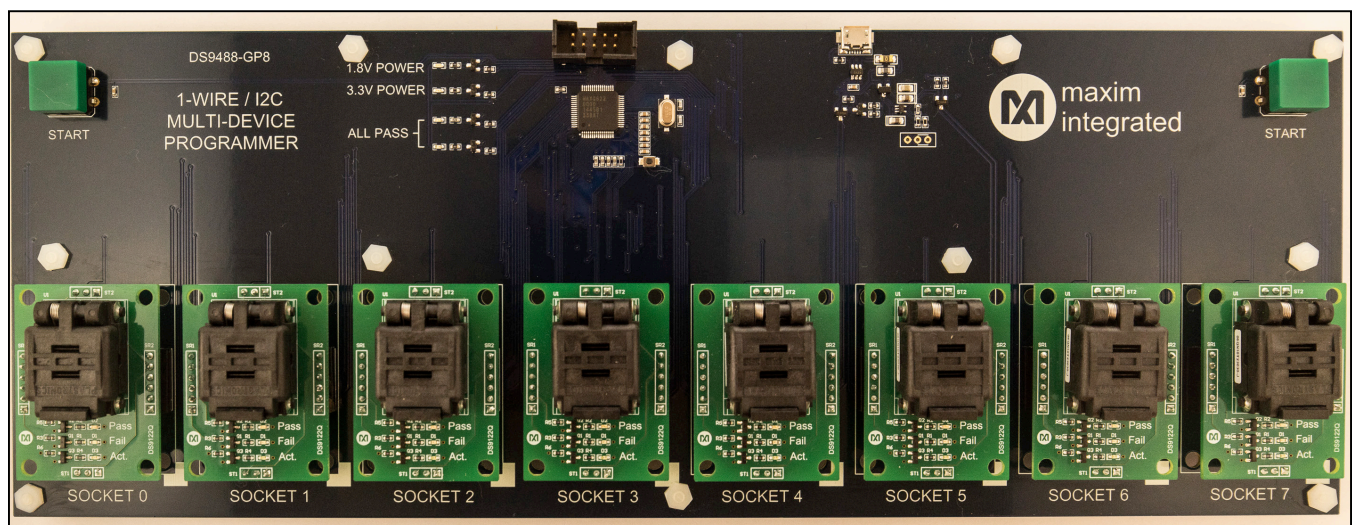
## Benefits and Features

- Programs Up to 8 Devices in a Single Session
- Multiple Devices Supported by One Programmer
- Socket Adapters Available for Most Devices
- Easily Add Support for New Devices
- Intuitive Windows Application Reduces Learning Time
- Standard USB Interface Connects to Any Computer
- Status LEDs Provide Immediate Pass/Fail Confirmation

## EV System Contents

- DS9488-GP8 programmer board
- USB A to USB Micro-B cable

## DS9488-GP8 Programmer



1-Wire is a registered trademark of Maxim Integrated Products, Inc.  
Windows is a registered trademark and registered service mark of Microsoft Corporation.

[Ordering Information](#) appears at end of data sheet.

## Setup

### Required Equipment

- Computer equipped with Windows and .NET Framework 4.5 or later
- DS9488-GP8 programmer board
- USB A to USB Micro-B cable
- One to eight socket adapters for the intended ICs
- One to eight ICs to be programmed

### Selecting Socket Adapters

One to eight socket adapters matching the IC packages must be purchased separately from Maxim before the programmer can be used. No socket adapters are included with the DS9488-GP8.

Most socket adapters program a single device at a time and take up one socket site. Dual socket adapters cover two socket sites, but each IC has a dedicated set of status LEDs on the PCB as shown in [Figure 1](#).

The socket adapters employ ESD-sensitive components. Observe safe ESD practices when handling the socket adapters.

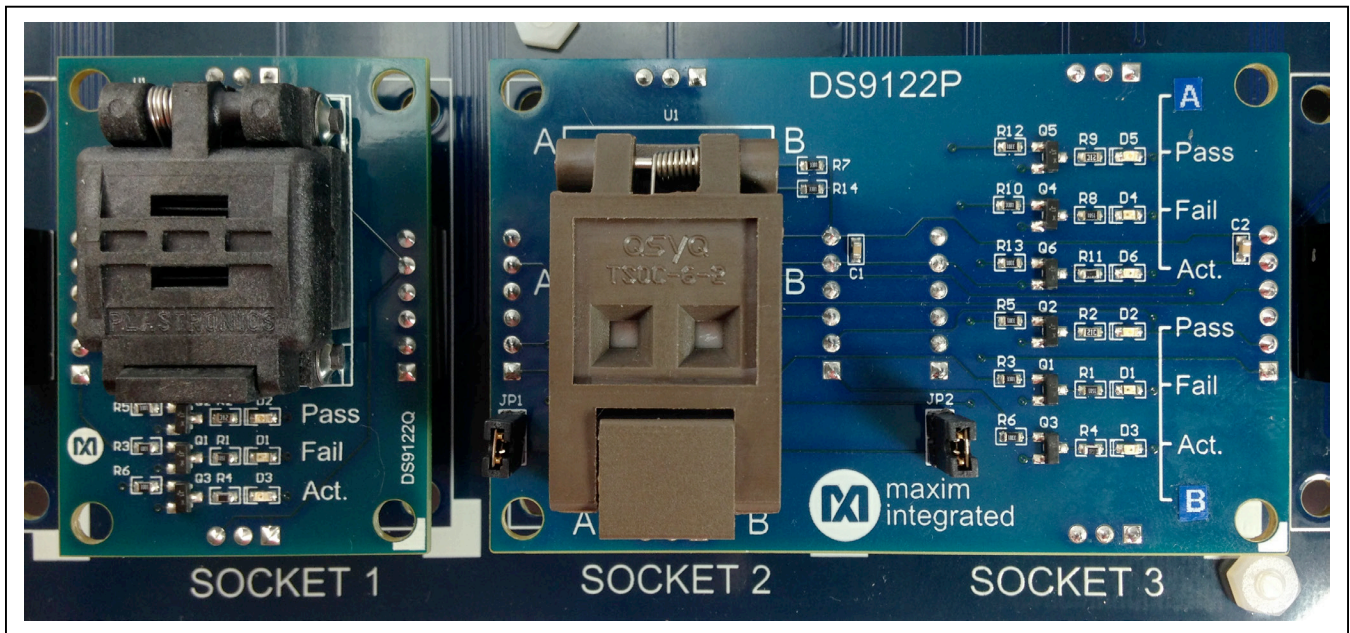


Figure 1. Single and Dual IC Socket Adapters

### Application Installation

- 1) Download the latest version of the 1-Wire + I2C Multi-Device Programmer software from the [Maxim website](#). Note that a free account is required to download software from the [Maxim website](#).
- 2) While observing safe ESD practices, carefully remove the DS9488-GP8 board from its packaging. Inspect the board to ensure that no damage occurred during shipment.
- 3) Connect the DS9488-GP8 to a PC using the supplied USB cable. All LEDs on the DS9488-GP8 momentarily illuminate. One or more LEDs might remain on. The DS9488-GP8 must be connected during application installation.
- 4) Click on the setup application to begin installation.
- 5) Follow the installation instructions. If prompted, allow the DS9488-GP8 USB drivers to be installed.
- 6) Install the desired device-specific plugins for programming.

### Device-Specific Plugin Installation

Install device-specific plugins using the application.

- 1) Obtain the compressed plugin package from Maxim. The package name incorporates the name of the device. For example, DS2431 Programmer Plugin supports all packages of the DS2431.
- 2) Navigate to the **Application Setup** tab and click on the **Device Plugins** radio button. See [Figure 2](#).
- 3) Click on the **View Device Folder** button. Copy the package into the displayed folder.
- 4) Extract the .dll file and .pdf file for each device.
- 5) The plugins in this folder are automatically loaded when the application is launched. To load a plugin for immediate use, click on the **Load Device Plugin** button and select the corresponding .dll file.

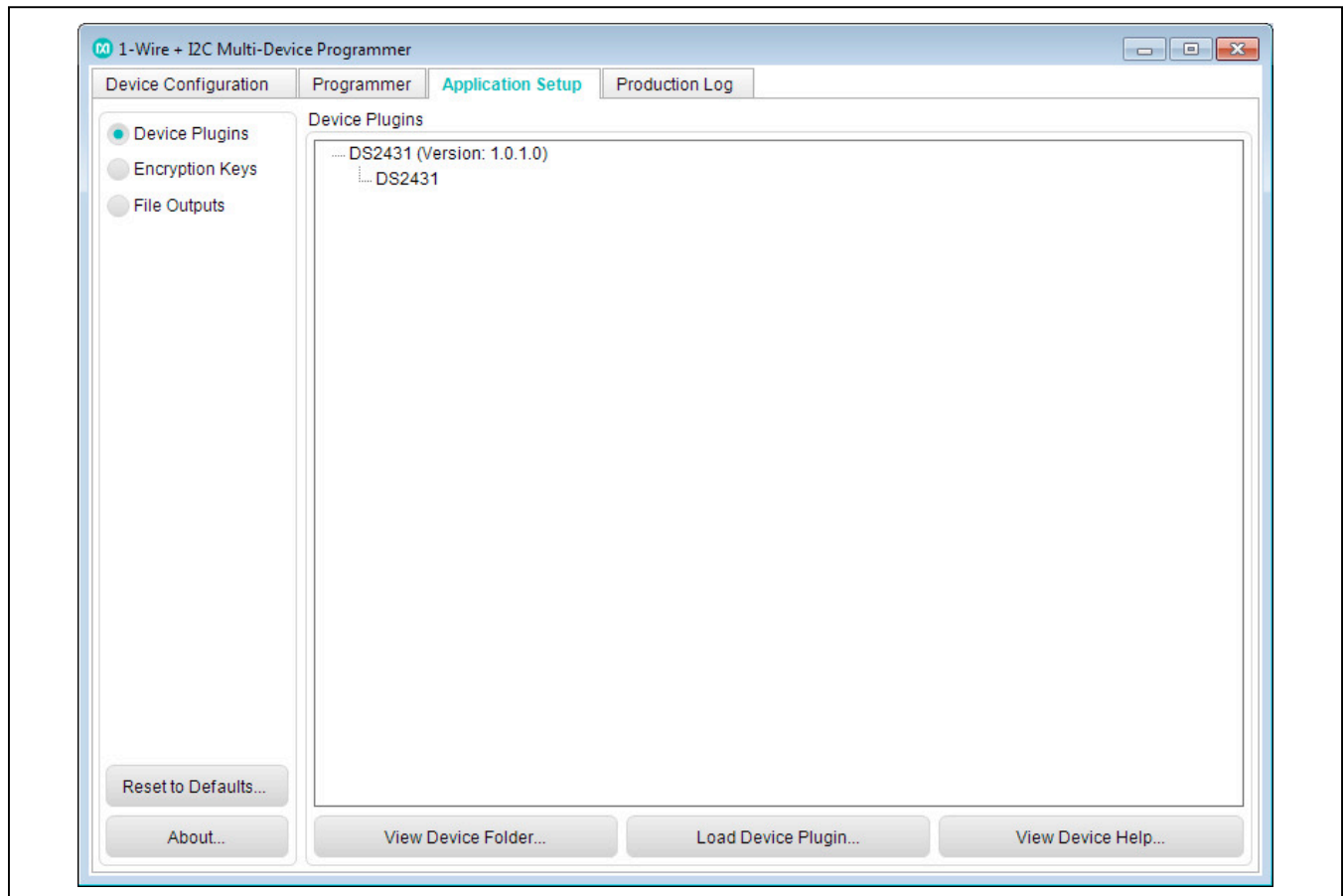


Figure 2. Loaded Device Plugins

### Programming

If socket adapters have not been installed, remove power from the DS9488-GP8. Install the socket adapters, and reapply power.

The programming procedure has three steps:

- Device configuration
- Production file creation
- Programming

### Device Configuration

- 1) Navigate to the **Device Configuration** tab, shown in [Figure 3](#).
- 2) Select the device type to be programmed.
- 3) Configure the device-specific options. Information about the options can be found in the IC data sheet and also in .pdf files under the **Application Setup** tab, **View Device Help**.
- 4) If desired, click **Save As...** to record the configuration options.

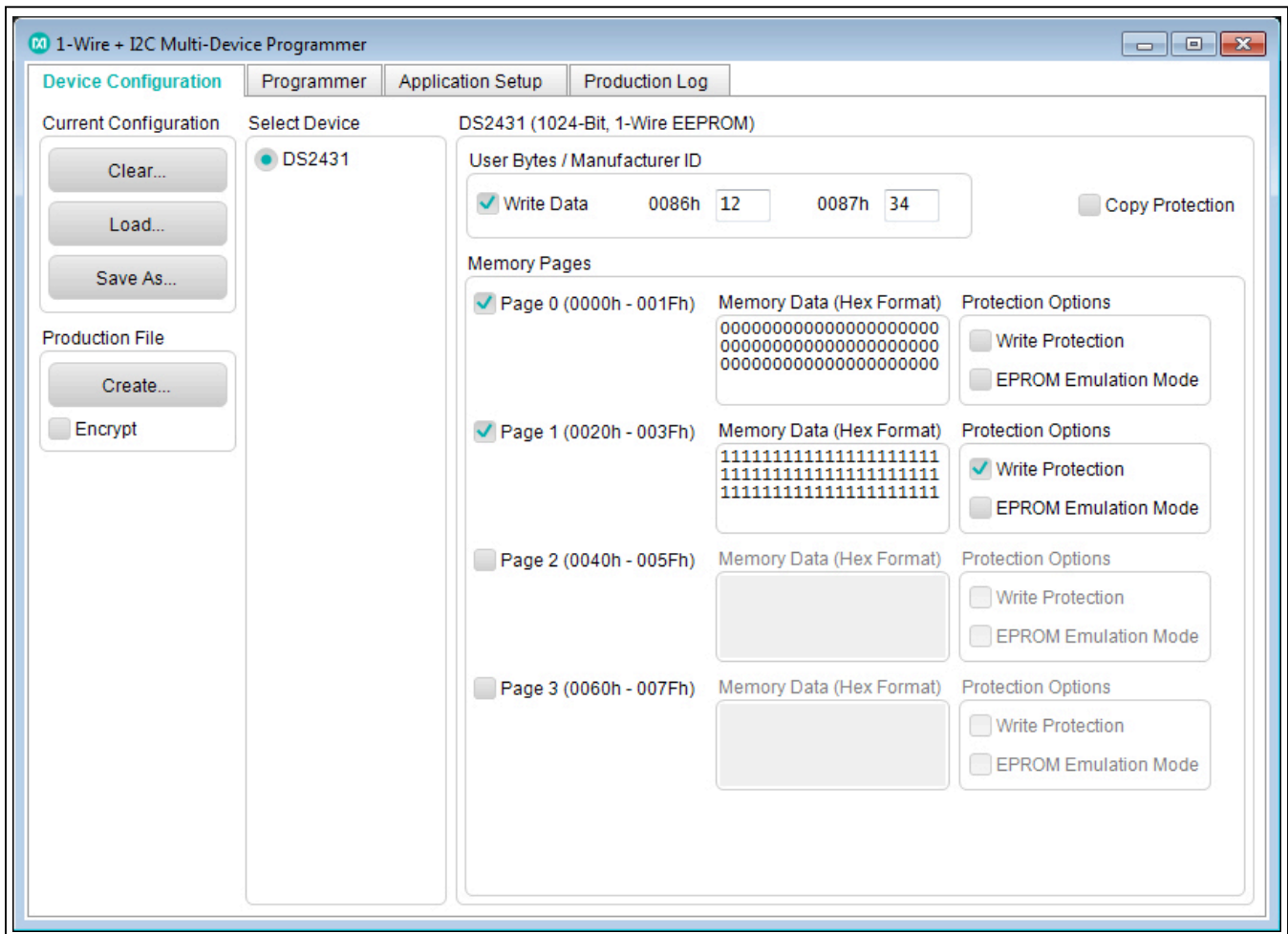


Figure 3. Device Configuration

### Production File Creation

The production file compiles all the configuration information and data into a single .xml file to be used by the programmer. After the device configuration has been input, press the **Production File Create** button and save the file to the folder defined in the **Application Setup, File Outputs** field.

The programmer offers the option to encrypt the production file for secure transfer between sites.

### Programming

- 1) Populate the desired sockets.
- 2) Navigate to the **Programmer** tab and select the active sockets as shown in [Figure 4](#). An error is generated during programming if an active socket is not populated with an IC.

- 3) Make sure the programmer is connected. If not, select **Auto Detect** under the **COM** button. Then click on the **Connect** button. The text below the **Connect** button indicates the programmer is connected.
- 4) Load a previously generated production file using the **Load Production File...** button.
- 5) Press either **Start** button on the programmer board or the **Start** button on the **Programmer** tab. The active LEDs on each socket board illuminate during programming and the progress bar advances.
- 6) When programming is complete, the ALL PASS indicator on the programmer is green if all devices programmed and verified correctly. The indicator is red if any of the devices fail verification.
- 7) The application keeps a running summary of the programming session. The cumulative results of each session are logged in the **Outputs** folder.

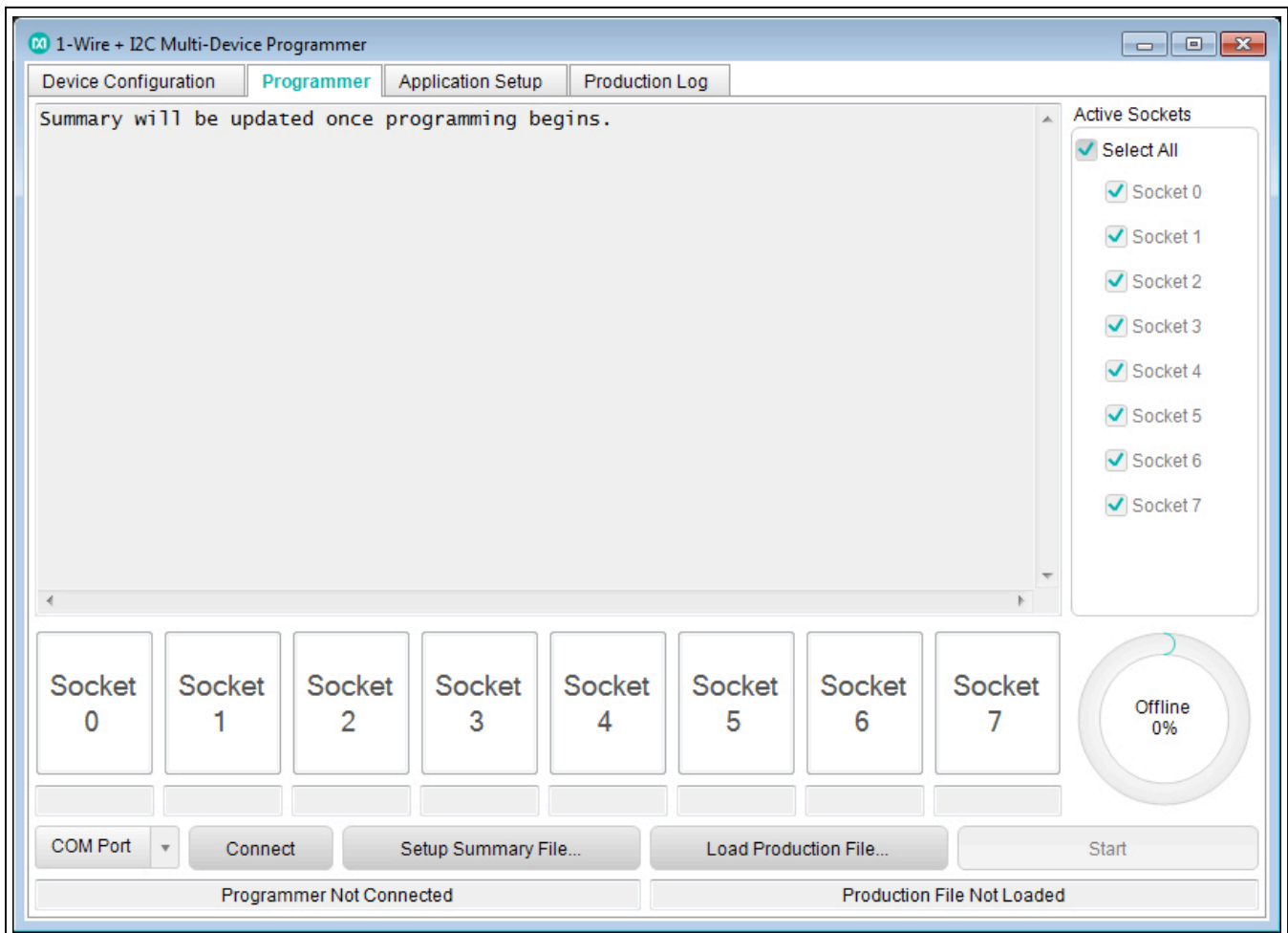


Figure 4. Programming Dialog

Figure 5 shows the application following a programming session in which sockets 1–5 are populated, and socket 4 failed post-programming verification. Figure 6 shows the programmer hardware after the same programming session with the pass/fail LEDs illuminated.

### Production File Encryption

The application provides the option to encrypt production files so they can be securely transferred between a master (configuration) system and one or more programming systems. The application generates an RSA public/private

key pair that is used for the encryption and decryption. Figure 7 illustrates the procedure for generating and installing encryption keys and creating and loading an encrypted production file. One key pair should be created by the master system and shared among all the programming systems.

The application loads both encrypted and nonencrypted production files if encryption keys are installed. Attempts to load an encrypted production file without first installing the encryption keys generate an error.

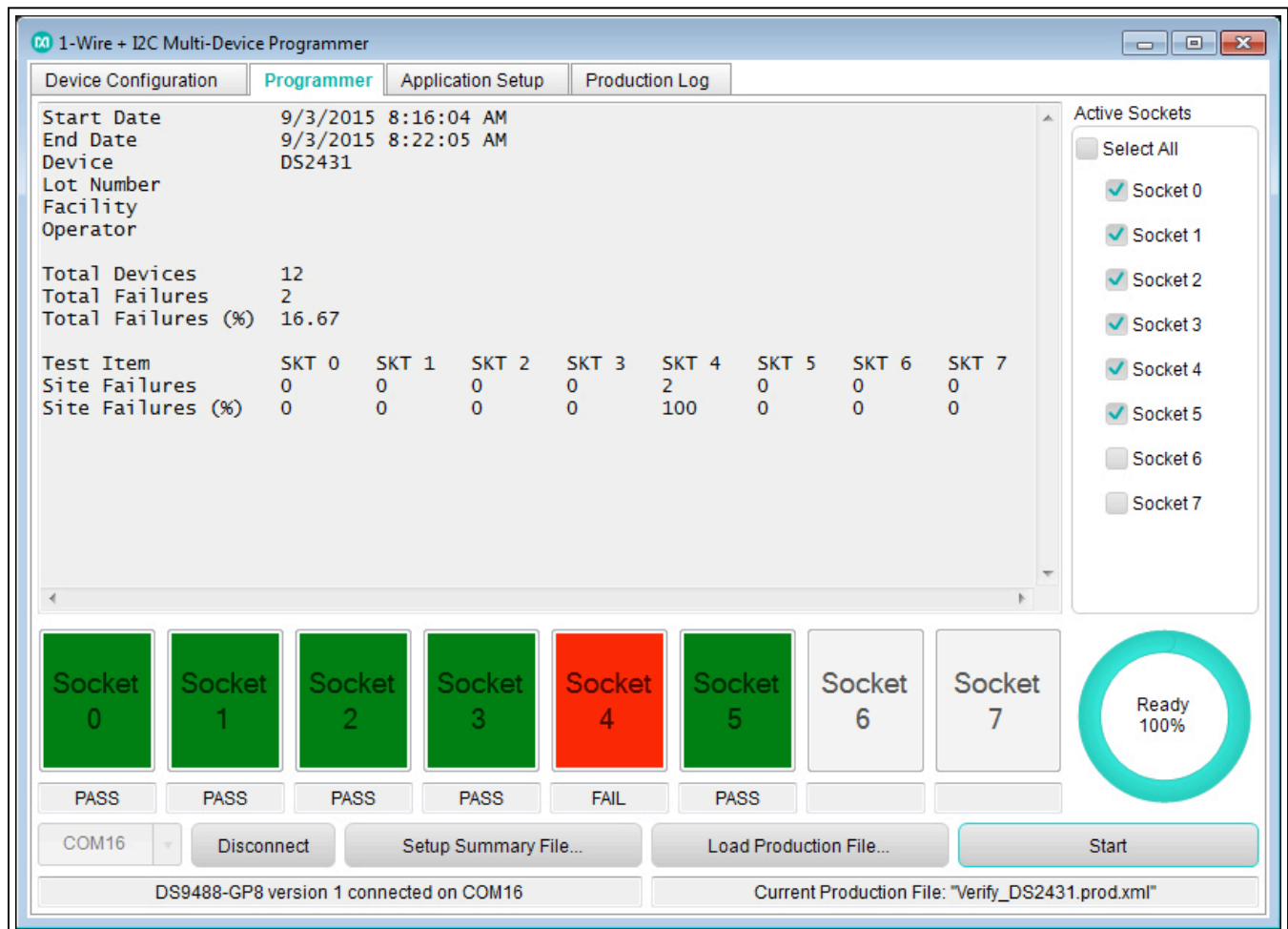


Figure 5. Example Session—GUI

# DS9488-GP8/DS9122x Evaluation System

# Multi-Device Programmer for 1-Wire and I2C Devices

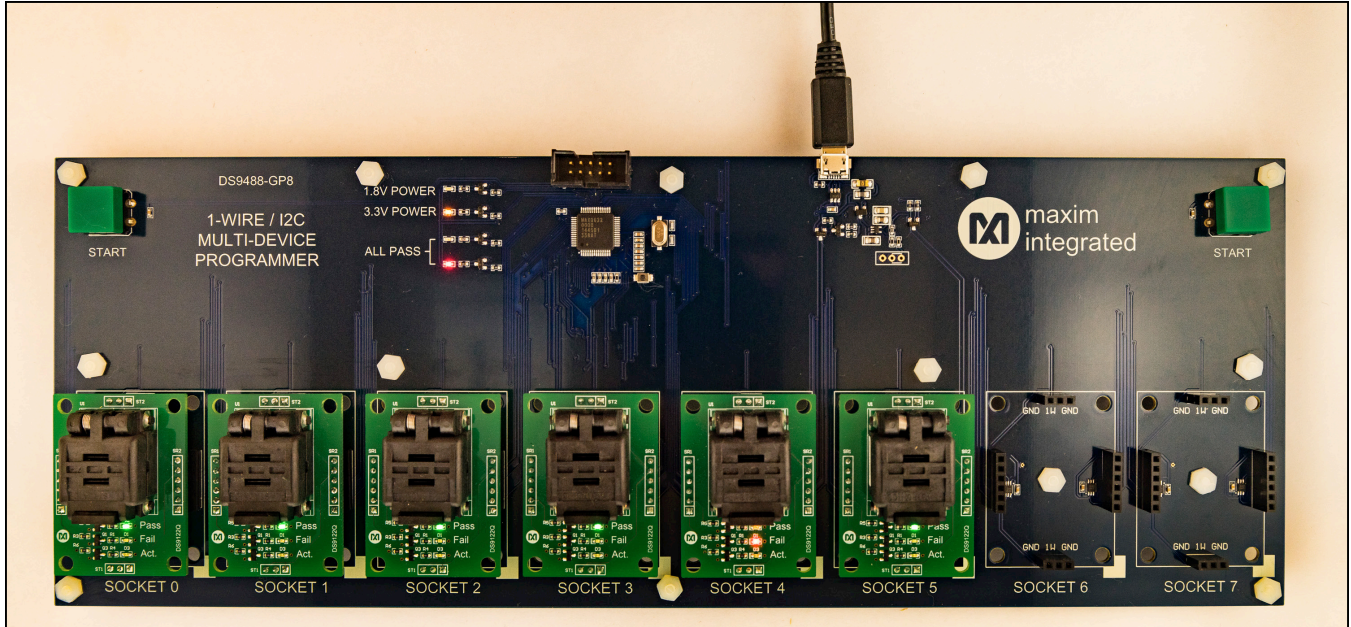


Figure 6. Example Session—Programmer

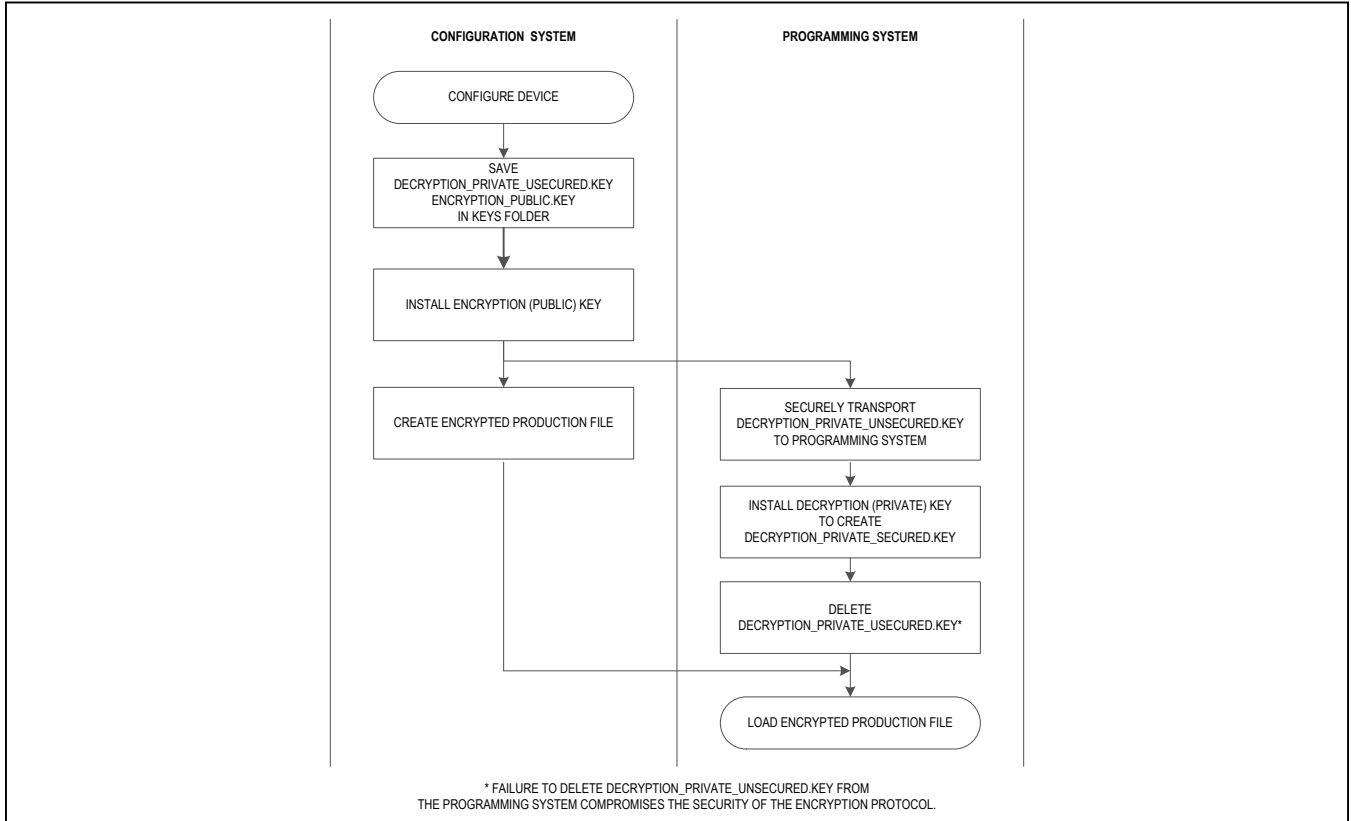


Figure 7. Using Encrypted Production Files

### Key Generation and Installation

- 1) On the master system, navigate to **Generate Key Pair** under the **Application Setup** → **Encryption Keys** dialog. Two keys are generated in the **Keys** folder:
  - decryption\_private\_unsecured.key (unencrypted 1024-bit private key)
  - encryption\_public.key (unencrypted 1024-bit public key)
- 2) Install the public key on the master system by clicking on the **Install Encryption (Public) Key** button and selecting **encryption\_public.key**.
- 3) Securely transport decryption\_private\_unsecured.key to the keys directory of the programming system.
- 4) On the programming system navigate to the **Application Setup** → **Encryption Keys** dialog. Click **Install Decryption (Private) Key** and select **decryption\_private\_unsecured.key**. This creates a new encrypted private key (decryption\_private\_secured.key) using the Windows Data Protection API that is unique to the production computer.
- 5) Erase **privkey\_unencrypted.key** from the programming system.

### Producing Encrypted Production Files

- 1) Load or create a configuration through the **Device Configuration** tab.
- 2) Select the **Encrypt** option.
- 3) Press the **Create** button. The production file is encrypted using the public key and placed in the outputs folder.

### Troubleshooting

Programming failures can sometimes be caused by incorrect settings in the **Device Options** dialog. Refer to the appropriate data sheet for details of the configuration options.

The application keeps a detailed log of the programmer sessions, which can be used to troubleshoot problems. The log file is in .txt format and located in the **Outputs** folder.

Go to [support.maximintegrated.com/micro](http://support.maximintegrated.com/micro) for technical support.

### Component List, Schematics, and PCB Layout

See the following links for component information, schematics, and PCB layout:

- [DS9488 BOM](#)
- [DS9488 schematic](#)
- [DS9488 PCB layout](#)
- [DS9122P BOM](#)
- [DS9122P schematic](#)
- [DS9122P PCB layout](#)
- [DS9122Q BOM](#)
- [DS9122Q schematic](#)
- [DS9122Q PCB layout](#)



## Ordering Information

PART	TYPE	SUPPORTED DEVICES
DS9488-GP8#	8-socket multi-device programmer	—
DS9122P#	6-pin TSOC dual socket adapter	DS2431P DS28E15P DS28E22P DS28E25P DS2431P-A1 DS28EL15P DS28EL22P DS28EL25P
DS9122Q#	6-pin TDFN (3mm x 3mm)socket adapter	DS2431Q DS28E15Q DS28EL15Q DS28EL22Q DS28EL25Q DS28E22Q DS28E25Q

#Denotes RoHS compliant.

\*Future product—contact factory for availability.

## Device-Specific Plugins for Programming

DEVICE PLUGIN	AVAILABILITY	SUPPORTED DEVICES
DS2431	<a href="#">Online</a>	DS2431P DS2431Q DS2431P-A1
DS28E(L)15_22_25	<a href="#">Under NDA</a>	DS28E15P DS28E15Q DS28EL15P DS28EL15Q DS28E22P DS28E22Q DS28EL22P DS28EL22Q DS28E25P DS28E25Q DS28EL25P DS28EL25Q

## Revision History

REVISION NUMBER	REVISION DATE	DESCRIPTION	PAGES CHANGED
0	11/15	Initial release	—
1	5/16	Updated <i>Benefits and Features</i> , <i>EV System Contents</i> , <i>Required Equipment</i> , <i>Selecting Socket Adapters</i> , <i>Applicatoin Installation</i> , <i>Device-Specific Plugin Installation</i> , <i>Component List</i> , <i>Schematics</i> , and <i>PCB Layout</i> , and <i>Ordering Information</i> sections, and added <i>Device-Specific Plugins for Programming</i> section	1, 2, 3, 8, 9

For pricing, delivery, and ordering information, please contact Maxim Direct at 1-888-629-4642, or visit Maxim Integrated's website at [www.maximintegrated.com](http://www.maximintegrated.com).

*Maxim Integrated cannot assume responsibility for use of any circuitry other than circuitry entirely embodied in a Maxim Integrated product. No circuit patent licenses are implied. Maxim Integrated reserves the right to change the circuitry and specifications without notice at any time.*

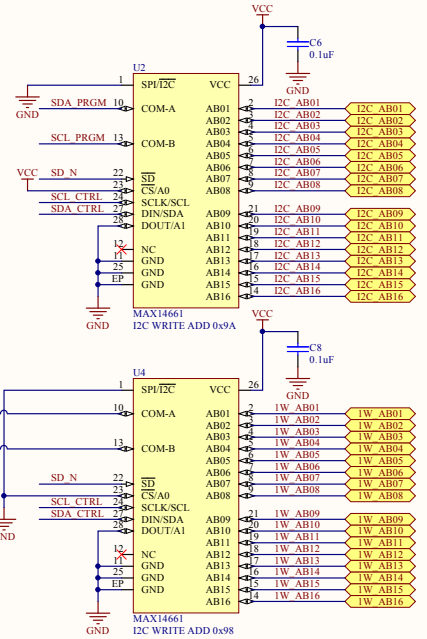
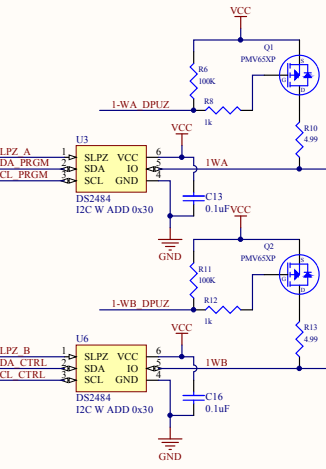
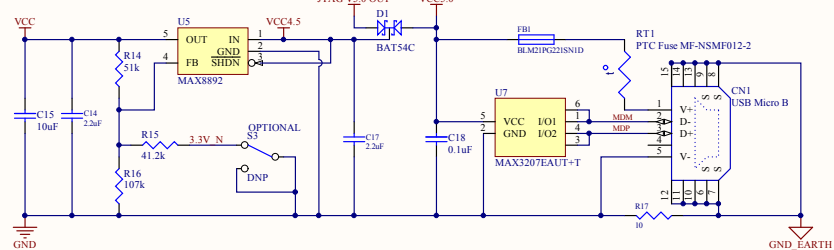
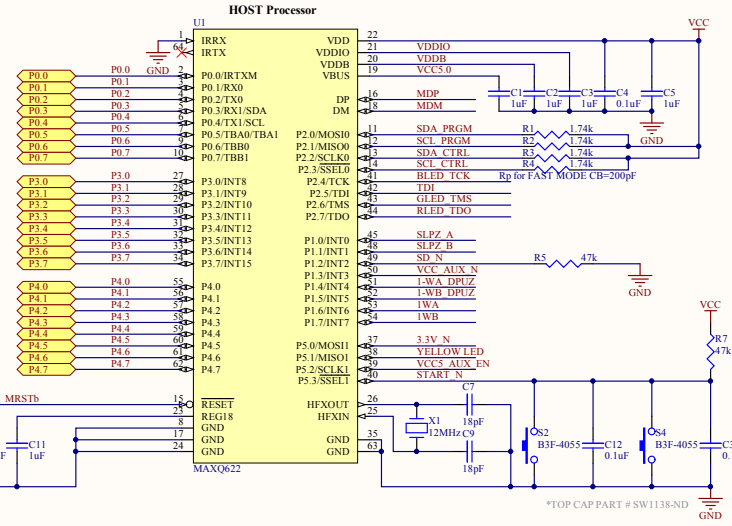
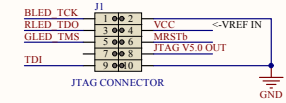
DS9488-GP8 BILL OF MATERIALS (BOM); Rev 0; 11/15					
Designator	Quantity	Description	Manufacture Name	Part Number	
C1, C2, C3, C5, C11	5	1uF Ceramic Capacitor (0603)	Taiyo Yuden	LMK107B7105KA-T	
C4, C6, C8, C10, C12, C13, C16, C18, C19, C20, C21, C22, C23, C24, C25, C26, C27, C28, C29, C30, C31, C32, C33, C34, C35	25	0.1uF Ceramic Capacitor (0603)	Kemet	C0603C104K4RACTU, C0603C104K8RACTU	
C7, C9	2	18pF Ceramic Capaitor (0603)	TDK Corporation	C1608COG1H180J080AA	
C14, C17	2	2.2uF Ceramic Capacitor (0805)	Murata Electronics North America	GRM21BF51C225ZA01L	
C15	1	10uF Ceramic Capacitor (0805)	TDK Corporation	C2012X5R1A106K125AB	
CN1	1	USB Micro B Connector	FCI	10103594-0001LF	
D1	1	Common Cathode Diode	Diodes Inc	SBR05U20SN-7	
D2	1	Red LED (0603)	Lite-On Inc	LTST-C193KRKT-5A	
D3	1	Green LED (0603)	Dialight	598-8081-107F	
D4	1	Yellow LED (0603)	Würth Electronics Inc	150060YS75000	
D5	1	Blue LED (0603)	OSRAM Opto Semiconductors Inc	LB Q39G-L2N2-35-1	
FB1	1	Ferrite (0603)	Murata Electronics North America	BLM21PG221SN1D	
J1	1	10 Pin JTAG Connector	TE Connectivity	5104338-1	
MechSC1 - MechSC20	20	4-40x1/4" Machine Screw	B&F Fastener Supply	PMSS5 440 0025 PH	
MechSO1 - MechSO20	20	Aluminum Standoff	Keystone Electronics	2203	
Q1, Q2, Q3, Q5	4	P-Channel MOSFET (SOT-23)	International Rectifier	PMV65XP,215	
Q4, Q6, Q8, Q9	4	N-Channel MOSFET(SOT-23)	ON SEMICONDUCTOR	B5S138LT1G	
Q7	1	N-Channel MOSFET(SOT-23)	ON SEMICONDUCTOR	B5S138LT1G	
R1, R2, R3, R4	4	1.74kΩ Resistor (0603)	Panasonic Electronic Components	ERJ-3EKF1741V	
R5, R7, R9	3	47kΩ Resistor (0603)	Panasonic Electronic Components	ERJ-3GEYJ473V	
R6, R11, R20, R22, R29	5	100kΩ Resistor (0603)	Yageo	RC0603FR-07100KL	
R8, R12, R24, R26	4	1Ω Resistor (0603)	Yageo	RC0603FR-071KL	
R10, R13	2	4.99Ω Resistor (0603)	Yageo	RC0603FR-074R99L	
R14	1	51kΩ Resistor (0603)	Panasonic Electronic Components	ERA-3AEB513V	
R15	1	41.2kΩ Resistor (0603)	Panasonic Electronic Components	ERA-3AEB4122V	
R16	1	107kΩ Resistor (0603)	Panasonic Electronic Components	ERA-3AEB1073V	
R17	1	10Ω Resistor (0603)	Panasonic Electronic Components	ERJ-8GEYJ100V	
R18	1	1.5kΩ Resistor (0603)	Panasonic Electronic Components	ERJ-3EKF1501V	
R19	1	16kΩ Resistor (0603)	Panasonic Electronic Components	ERJ-3EKF1622V	
R21, R25, R28, R30	4	3.3kΩ Resistor (0603)	Panasonic Electronic Components	ERJ-3EKF3301V	
R23	1	2.4kΩ Resistor (0603)	Vishay Dale	CRCW06032K43FKEA	
R27	1	4.7kΩ Resistor (0603)	Panasonic Electronic Components	ERJ-3EKF4701V	
RT1	1	PTC Fuse (1206)	Bourns Inc.	MF-NSMF012-2	
S1	1	Tactile Switch	Omron Electronics Inc	B3U-1000P	
S2, S4	2	Tactile Switch	Omron Electronics Inc	B3F-4055	
MechS2, MechS4	2	Square Green Switch Cap	Omron Electronics Inc	B32-1350	
S3	1	Do Not Populate	TE Connectivity	SSA12	
SR1 - SR16	16	6 Pin Connector	Sullins Connector Solutions	PPPC061LFBN-RC	
ST1 - ST16	16	3 Pin Connector	Sullins Connector Solutions	PPPC031LFBN-RC	
U1	1	16-Bit Microcontrollers with Infrared Module and Optional USB	Maxim Integrated	MAXQ622G-0000+	
U2, U4	2	Beyond-the-Rails 16:2 Multiplexer	Maxim Integrated	MAX14661ETI+	
U3, U6	2	12C To 1-Wire Master	Maxim Integrated	DS2484R+	
U5	1	High PSRR, Low-Dropout, 150mA Linear Regulator	Maxim Integrated	MAX8892EXK+	
U7	1	Dual High-Speed Differential ESD-Protection IC	Maxim Integrated	MAX3207EAUT+	
U8 - U23	16	4 Channel +/- 30kv ESD Protector	Maxim Integrated	MAX13204EALT+	
X1	1	12MHz Crystal	ECS Inc.	ECS-120-20-3X-TR	

A

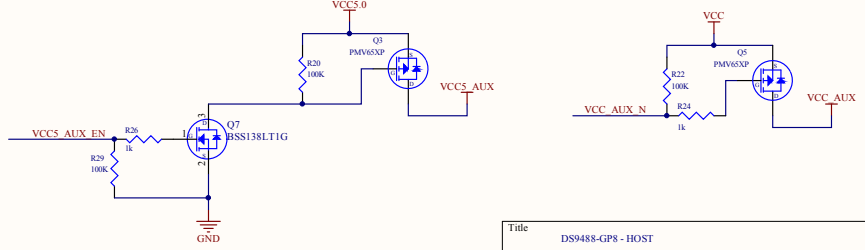
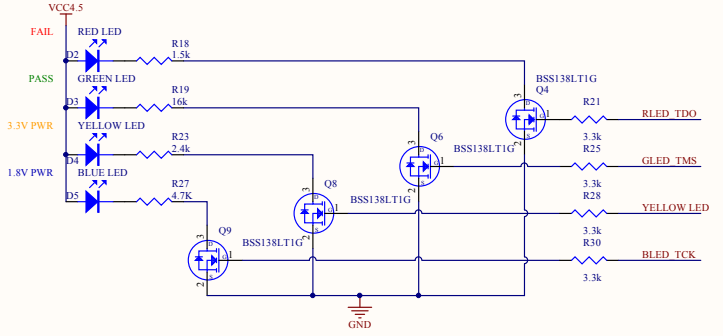
B

C

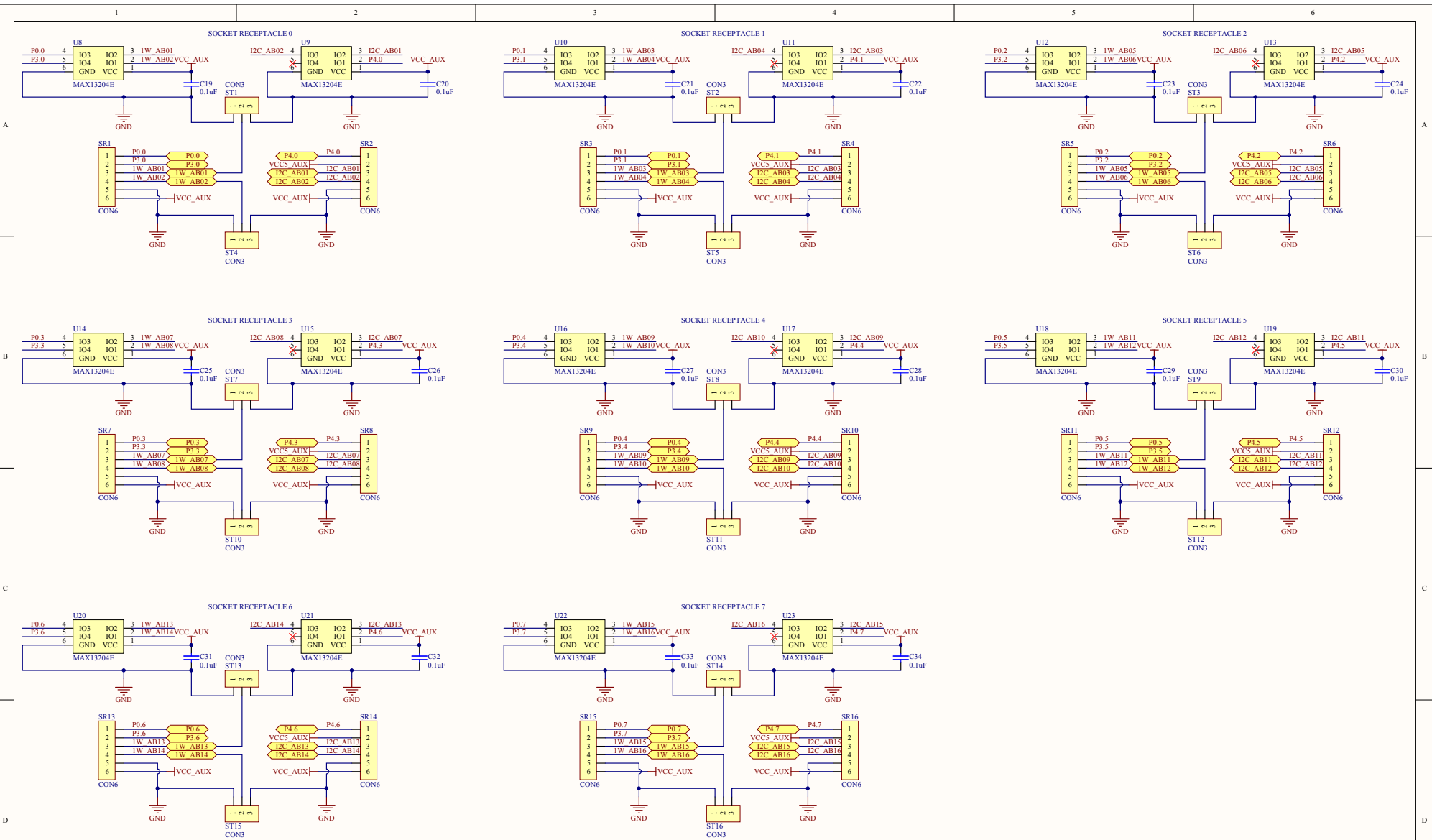
D



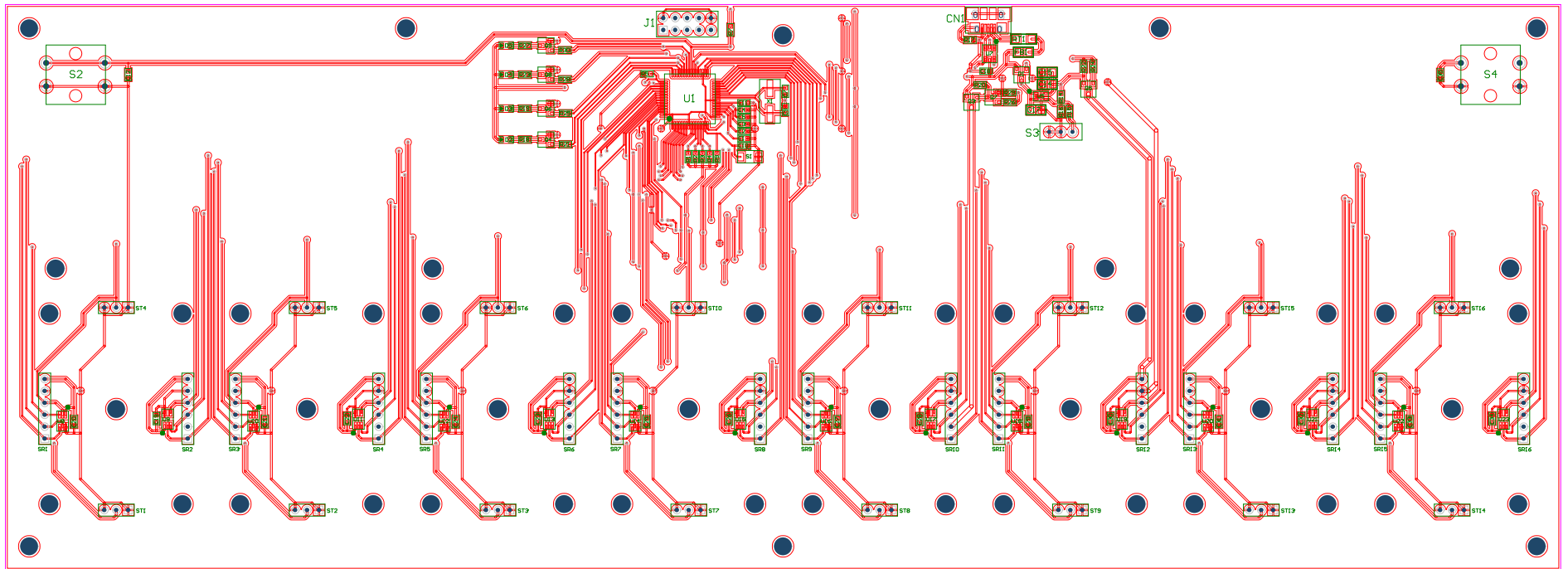
- MechS1 - MechS20
- Screw (Qty: 20)
- MechS01 - MechS020
- Stand Off (Qty: 20)
- MechS4
- Switch Cap
- Switch Cap



Title			
DS9488-GP8 - HOST			
Size	Number	Revision	
Tabloid		A1	
Date:	10/6/2015	Sheet 1 of 2	
File:	C:\Users\... \HOST_SchDoc	Drawn By:	Stewart Merkel




Title DS9488-GP8 - Socket Receptacles		
Size	Number	Revision
Tabloid		A1
Date:	10/6/2015	Sheet 2 of 2
File:	C:\Users\j_schme\Documents\Socket Receptacle_SchDoc	Drawn By: Stewart Merkel



TOP METAL

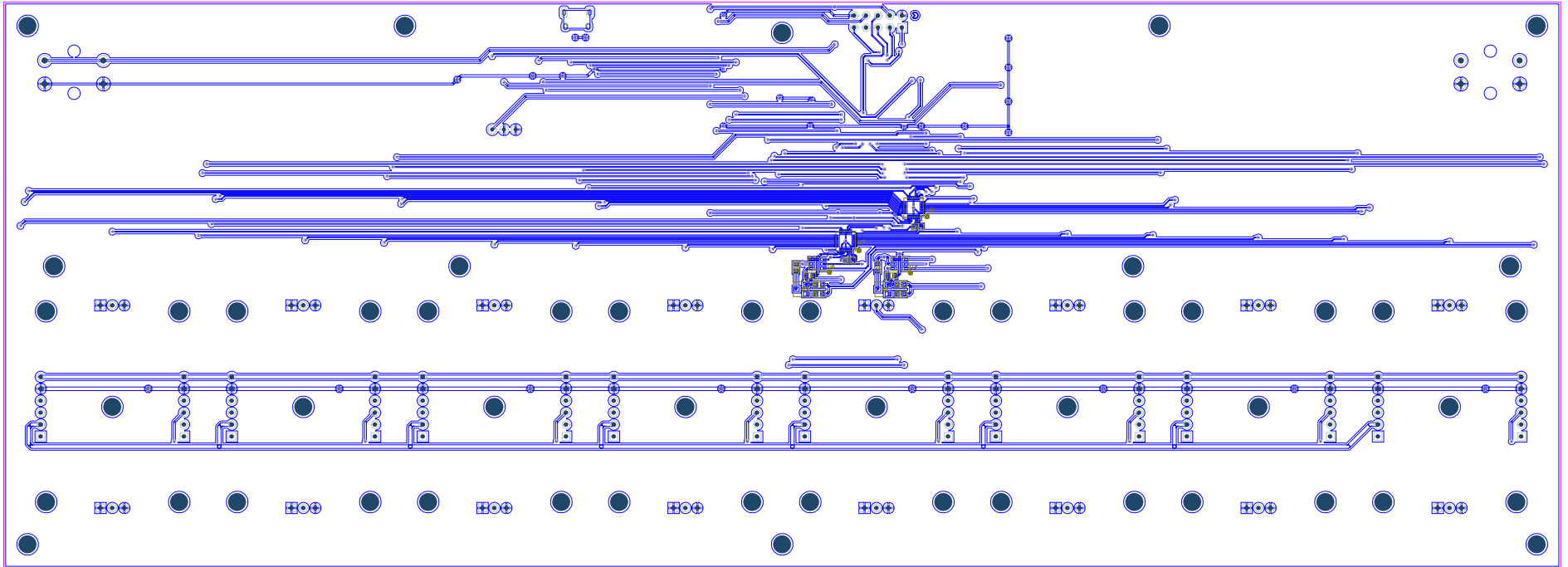
62mil PCB

# TOP ASSEMBLY

DS9488-GP8			
Part Number: 89-94880#000			
Property of		Rev	
 maxim integrated.		1	
Drill and Mechanical Layer			
Date: JUN 12 2015 Units in mils			
SIZE	QTY	SYM	PLATED TOLERANCE
12	189	·	YES +/- 0.003
17	8		YES +/- 0.003
26	4		YES +/- 0.003
35	3		YES +/- 0.003
39	154		YES +/- 0.003
52	8		YES +/- 0.003
73	4		NO +/- 0.003
150	52		NO +/- 0.003

**Notes:**

1. Fabricate using provided gerber files per latest revision Of IPC-A-600 unless otherwise noted.
2. Material: RoHS Compliant FR-408 or similar laminate material
3. Board Dimensions: (13,040 x 4,750 mils)
4. Board Thickness: 62 mils +/- 10%
5. Layers: 2 (Top, Bottom)
6. Minimum Trace/Spacing: 10mil / 7mil
7. Copper Thickness: 1oz on all layers
8. Surface mount pads: 416
9. Soldermask: BLUE
10. Legend: White, Double-Sided, Non-Conductive Epoxy ink or Equiv.
11. Plating: Must be Lead free and RoHS Compliant
12. Finish: Most Economical Lead free and RoHS compliant process
13. Vendor Logo & date code: Allowed on bottom side only
14. Through holes: quantity 418, Slot holes 4, minimum size 12 mil
15. Tolerances:
  - Plated-through holes +/- 3 mil
  - Pattern to pattern +/- 6 mil
  - Legend to legend no preference
  - Soldermask to pattern +/- 6 mil
16. Electrical testing needed: YES




BOTTOM ASSEMBLY

Bottom Metal

1679M mo7708



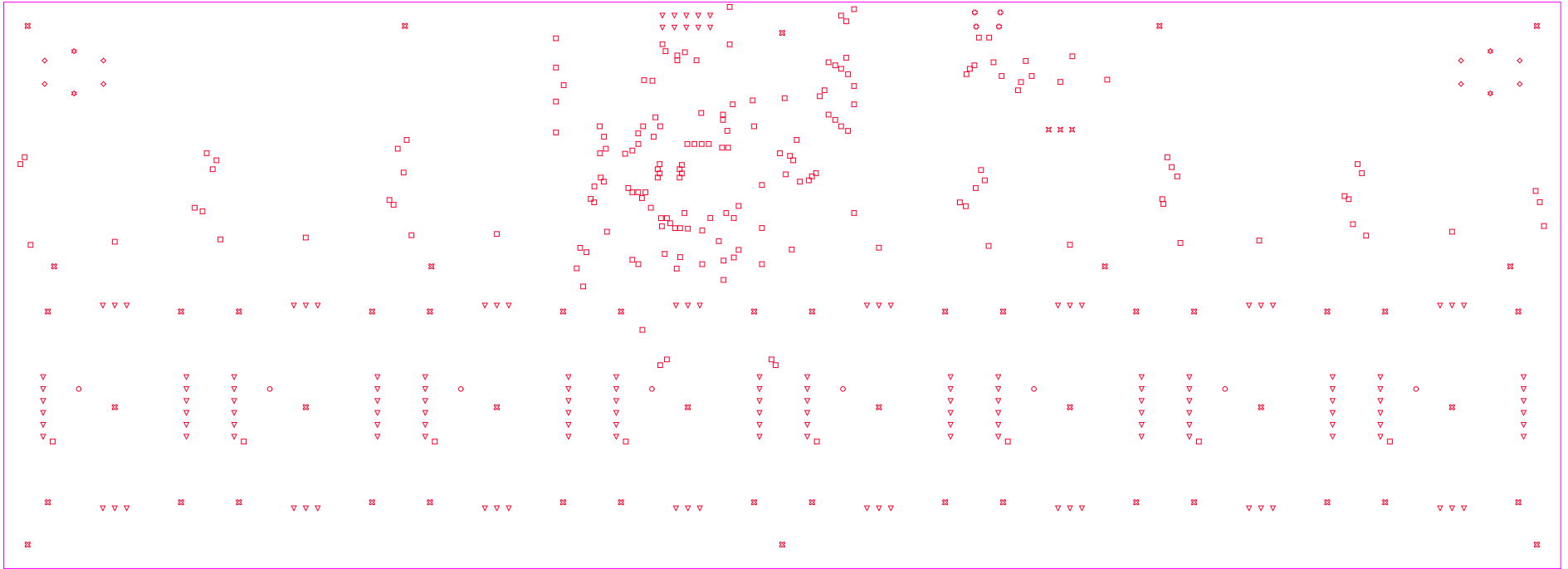
62mil PCB

DS9488-GP8				
Part Number: 89-94880#000				
Property of				Rev
 maxim integrated.				1
Drill and Mechanical Layer				
Date: JUN 12 2015 Units in mils				
SIZE	QTY	SYM	PLATED	TOLERANCE
12	189	-	YES	+/- 0.003
17	8	-	YES	+/- 0.003
26	4	-	YES	+/- 0.003
35	3	-	YES	+/- 0.003
39	154	-	YES	+/- 0.003
52	8	-	YES	+/- 0.003
73	4	+	NO	+/- 0.003
150	52	+	NO	+/- 0.003


Notes:

- Fabricate using provided gerber files per latest revision Of IPC-A-600 unless otherwise noted.
- Material: RoHS Compliant FR-408 or similar laminate material
- Board Dimensions: (13,040 x 4,750 mils)
- Board Thickness: 62 mils +/- 10%
- Layers: 2 (Top, Bottom)
- Minimum Trace/Spacing: 10mil / 7mil
- Copper Thickness: 1oz on all layers
- Surface mount pads: 416
- Soldermask: BLUE
- Legend: White, Double-Sided, Non-Conductive Epoxy ink or Equiv.
- Plating: Must be Lead free and RoHS Compliant
- Finish: Most Economical Lead free and RoHS compliant process
- Vendor Logo & date code: Allowed on bottom side only
- Through holes: quantity 418, Slot holes 4, minimum size 12 mil
- Tolerances:
  - Plated-through holes +/- 3 mil
  - Pattern to pattern +/- 6 mil
  - Legend to legend no preference
  - Soldermask to pattern +/- 6 mil
- Electrical testing needed: YES





62mil PCB

DS9488-GP8				
Part Number: 89-94880H000				
Property of				Rev
 maxim integrated.				1
Drill and Mechanical Layer				
Date: JUN 12 2015 Units in mils				
SIZE	QTY	SYM	PLATED	TOLERANCE
12	189	□	YES	+/- 0.003
17	8	○	YES	+/- 0.003
26	4	○	YES	+/- 0.003
35	3	✖	YES	+/- 0.003
39	154	▽	YES	+/- 0.003
52	8	◇	YES	+/- 0.003
73	4	✖	NO	+/- 0.003
150	52	✖	NO	+/- 0.003

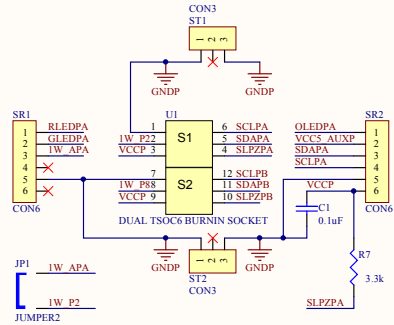
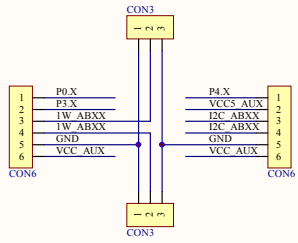
Notes:

- Fabricate using provided gerber files per latest revision Of IPC-A-600 unless otherwise noted.
- Material: RoHS Compliant FR-408 or similar laminate material
- Board Dimensions: (13,040 x 4,750 mils)
- Board Thickness: 62 mils +/- 10%
- Layers: 2 (Top, Bottom)
- Minimum Trace/Spacing: 10mil / 7mil
- Copper Thickness: 1oz on all layers
- Surface mount pads: 416
- Soldermask: BLUE
- Legend: White, Double-Sided, Non-Conductive Epoxy ink or Equiv.
- Plating: Must be Lead free and RoHS Compliant
- Finish: Most Economical Lead free and RoHS compliant process
- Vendor Logo & date code: Allowed on bottom side only
- Through holes: quantity 418, Slot holes 4, minimum size 12 mil
- Tolerances:
  - Plated-through holes +/- 3 mil
  - Pattern to pattern +/- 6 mil
  - Legend to legend no preference
  - Soldermask to pattern +/- 6 mil
- Electrical testing needed: YES

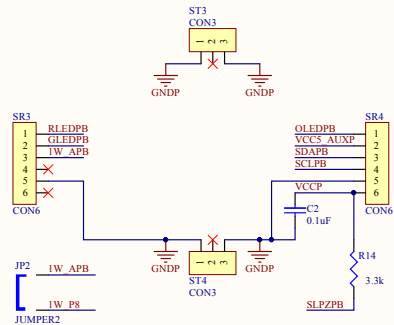
**DS9122P BILL OF MATERIALS (BOM) Rev 0; 11/15**

Designator	Quantity	Description	Manufacture Name	Part Number
C1, C2	2	0.1uF Ceramic Capacitor (0603)	Kemet	C0603C104K8RACTU
D1, D4	2	Red LED (0603)	Lite-On Inc	LTST-C193KRKT-5A
D2, D5	2	Green LED (0603)	Dialight	598-8081-107F
D3, D6	2	Yellow LED (0603)	Würth Electronics Inc	150060YS75000
JP1, JP2	2	Shunt Jumper		
Q1, Q2, Q3, Q4, Q5, Q6	6	N-Channel MOSFET(SOT-23)	ON Semiconductor	BSS138LT1G
R1, R8	2	1.5k $\Omega$ Resistor (0603)	Panasonic Electronic Components	ERJ-3EKF1501V
R2, R9	2	16k $\Omega$ Resistor (0603)	Panasonic Electronic Components	ERJ-3EKF1622V
R3, R5, R6, R7, R10, R12, R13, R14	8	3.3k $\Omega$ Resistor (0603)	Panasonic Electronic Components	ERJ-3EKF3301V
R4, R11	2	2.4k $\Omega$ Resistor (0603)	Vishay Dale	CRCW06032K43FKEA
SR1, SR2, SR3, SR4	4	6 Pin Header	TE Connectivity	9-146285-0
ST1, ST2, ST3, ST4	4	3 Pin Header	TE Connectivity	9-146285-0
U1	1	Dual TSOC6 Clamshell Socket	QSYQ	TSOC-6-2

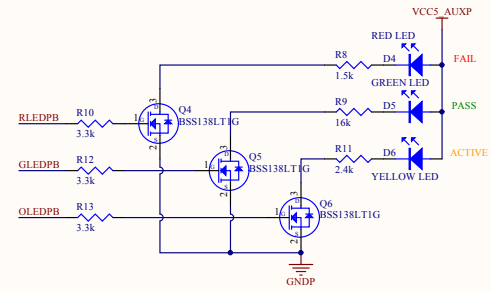
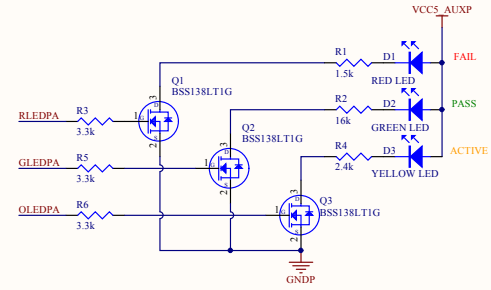
**GANG PROGRAMMER SOCKET SITE REFERENCE**



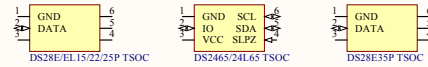
AFFIX JMP FOR DS28E35P 1W DEVICES  
DNP JMP FOR DS24X65 DEVICES



AFFIX JMP FOR DS28E35P 1W DEVICES  
DNP JMP FOR DS24X65 DEVICES

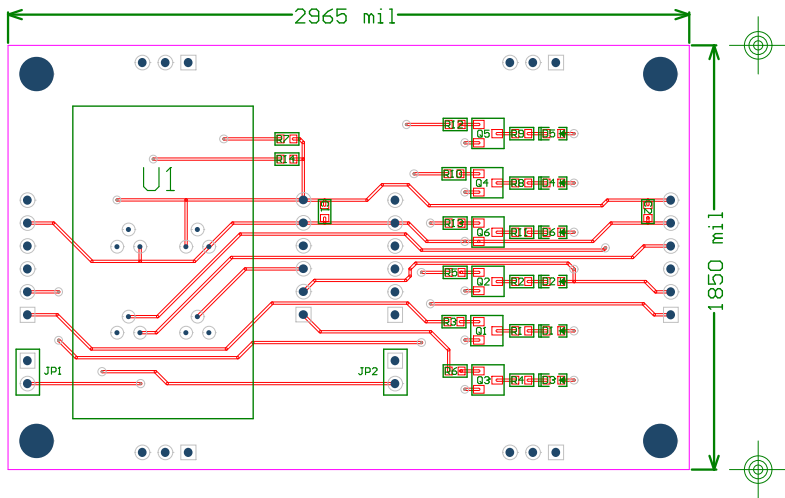


CHIPS SHOWN ARE FOR REFERENCE ONLY



Title DS9122P DUAL SOCKET		
Size	Number	Revision A
Tabloid		
Date:	8/24/2015	Sheet of
File:	C:\Users\..._DS9122PRrev1_SchDoc	Drawn By: G G

# TOP ASSEMBLY



DS9122P	
Part Number: 89-9122P#002	
Property of	Rev
maxim integrated	1
Drill and Mechanical Layer	
Date: JUN 12 2015 Units in mils	

SIZE	QTY	SYM	PLATED	TOLERANCE
13	22	*	YES	+/- 0.003
22	12		YES	+/- 0.003
39	40		YES	+/- 0.003
150	4		NO	+/- 0.003

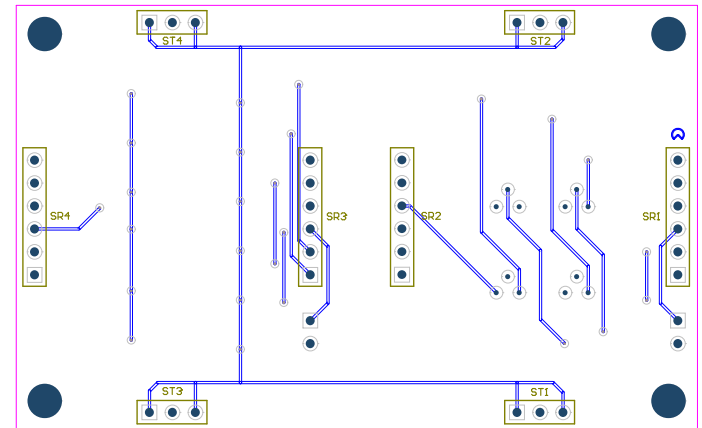
## Notes:

1. Fabricate using provided gerber files per latest revision of IPC-A-600 unless otherwise noted.
2. Material: RoHS Compliant FR-408 or similar laminate material
3. Board Dimensions: (2965 x 1850 mils)
4. Board Thickness: 62 mils +/- 10%
5. Layers: 2 (Top, Bottom)
6. Minimum Trace/Spacing: 10mil / 7mil
7. Copper Thickness: 1oz on all layers
8. Surface mount pads: 62
9. Soldermask: BLUE
10. Legend: White. Double-Sided. Non-Conductive Epoxy ink or Equiv.
11. Plating: Must be Lead free and RoHS Compliant
12. Finish: Most Economical Lead free and RoHS compliant process
13. Vendor Logo & date code: Allowed on bottom side only
14. Through holes: quantity 78, Slot holes 0, minimum size 13 mil
15. Tolerances:
  - Plated-through holes +/- 3 mil
  - Pattern to pattern +/- 6 mil
  - Legend to legend no preference
  - Soldermask to pattern +/- 6 mil
16. Electrical testing needed: YES

TOP METAL

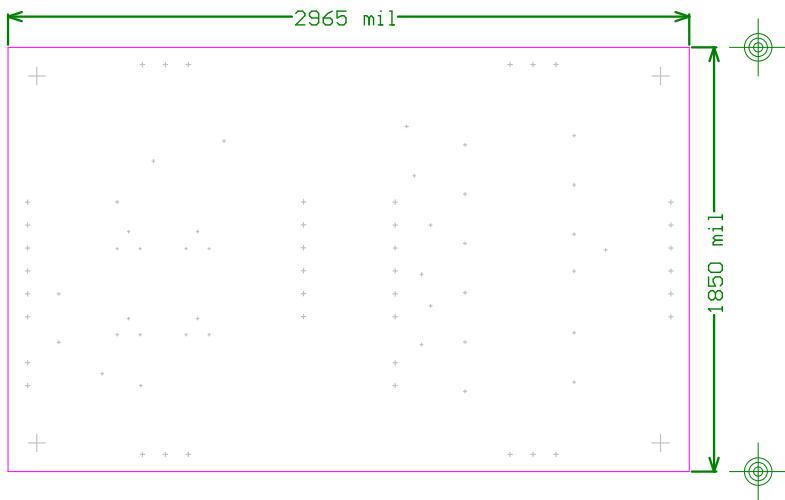
62mil PCB


# BOTTOM ASSEMBLY



Bottom Metal

Bottom Metal



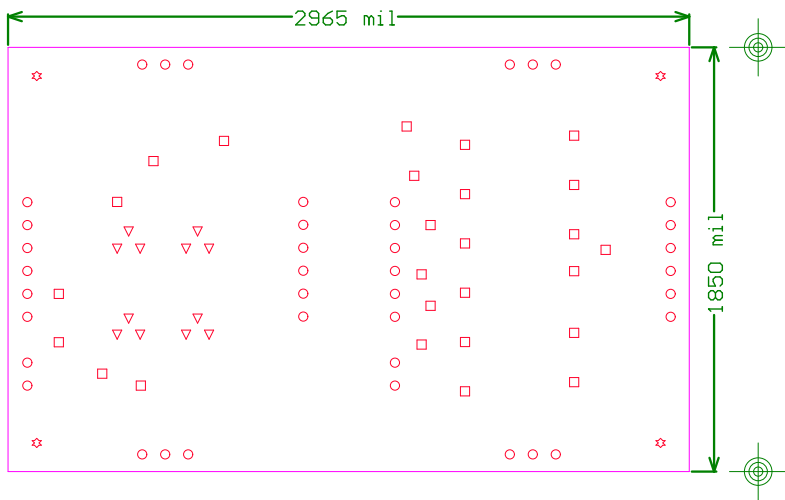
DS9122P	
Part Number: 89-9122P#002	
Property of	Rev
 maxim integrated™	1
Drill and Mechanical Layer	
Date: JUN 12 2015 Units in mils	

SIZE	QTY	SYM	PLATED	TOLERANCE
13	22	*	YES	+/- 0.003
22	12	*	YES	+/- 0.003
39	40	*	YES	+/- 0.003
150	4	+	NO	+/- 0.003

Notes:

1. Fabricate using provided gerber files per latest revision Of IPC-A-600 unless otherwise noted.
2. Material: RoHS Compliant FR-408 or similar laminate material
3. Board Dimensions: (2965 x 1850 mils)
4. Board Thickness: 62 mils +/- 10%
5. Layers: 2 (Top, Bottom)
6. Minimum Trace/Spacing: 10mil / 7mil
7. Copper Thickness: 1oz on all layers
8. Surface mount pads: 62
9. Soldermask: BLUE
10. Legend: White. Double-Sided. Non-Conductive Epoxy ink or Equiv.
11. Plating: Must be Lead free and RoHS Compliant
12. Finish: Most Economical Lead free and RoHS compliant process
13. Vendor Logo & date code: Allowed on bottom side only
14. Through holes: quantity 78, Slot holes 0, minimum size 13 mil
15. Tolerances:
  - Plated-through holes +/- 3 mil
  - Pattern to pattern +/- 6 mil
  - Legend to legend no preference
  - Soldermask to pattern +/- 6 mil
16. Electrical testing needed: YES

62mil PCB



DS9122P	
Part Number: 89-9122P#002	
Property of	Rev
maxim integrated™	1
Drill and Mechanical Layer	
Date: JUN 12 2015 Units in mils	

SIZE	QTY	SYM	PLATED	TOLERANCE
13	22	□	YES	+/- 0.003
22	12	▽	YES	+/- 0.003
39	40	○	YES	+/- 0.003
150	4	✱	NO	+/- 0.003

Notes:

1. Fabricate using provided gerber files per latest revision Of IPC-A-600 unless otherwise noted.
2. Material: RoHS Compliant FR-408 or similar laminate material
3. Board Dimensions: (2965 x 1850 mils)
4. Board Thickness: 62 mils +/- 10%
5. Layers: 2 (Top, Bottom)
6. Minimum Trace/Spacing: 10mil / 7mil
7. Copper Thickness: 1oz on all layers
8. Surface mount pads: 62
9. Soldermask: BLUE
10. Legend: White. Double-Sided. Non-Conductive Epoxy ink or Equiv.
11. Plating: Must be Lead free and RoHS Compliant
12. Finish: Most Economical Lead free and RoHS compliant process
13. Vendor Logo & date code: Allowed on bottom side only
14. Through holes: quantity 78, Slot holes 0, minimum size 13 mil
15. Tolerances:
  - Plated-through holes +/- 3 mil
  - Pattern to pattern +/- 6 mil
  - Legend to legend no preference
  - Soldermask to pattern +/- 6 mil
16. Electrical testing needed: YES

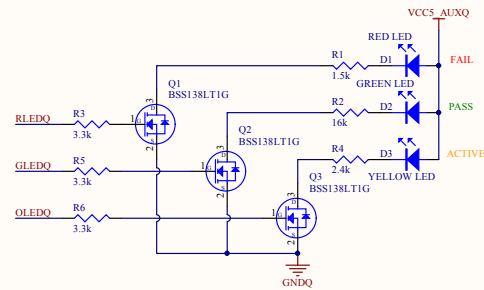
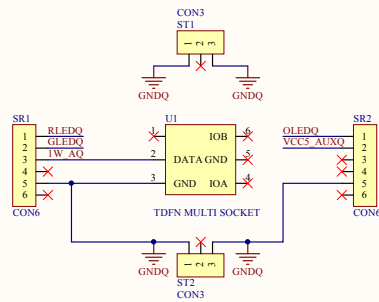
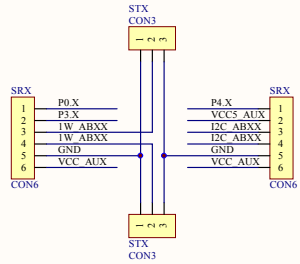
62mil PCB

## DS9122Q BILL OF MATERIALS (BOM) Rev 0; 11/15

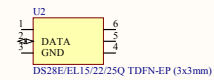
Designator	Quantity	Description	Manufacture Name	Part Number
D1	1	Red LED (0603)	Lite-On Inc	LTST-C193KRKT-5A
D2	1	Green LED (0603)	Dialight	598-8081-107F
D3	1	Yellow LED (0603)	Wurth Electronics Inc	150060YS75000
Q1, Q2, Q3	3	N-Channel MOSFET(SOT-23)	ON SEMICONDUCTOR	BSS138LT1G
R1	1	1.5k $\Omega$ Resistor (0603)	Panasonic Electronic Co	ERJ-3EKF1501V
R2	1	16k $\Omega$ Resistor (0603)	Panasonic Electronic Co	ERJ-3EKF1622V
R3, R5, R6	3	3.3k $\Omega$ Resistor (0603)	Panasonic Electronic Co	ERJ-3EKF3301V
R4	1	2.4k $\Omega$ Resistor (0603)	Vishay Dale	CRCW06032K43FKEA
SR1, SR2	2	6 Pin Header	TE Connectivity	9-146285-0
ST1, ST2	2	3 Pin Header	TE Connectivity	9-146285-0
U1	1	TDFN Clamshell Socket	PLASTRONICS	06QN10T23030



**GANG PROGRAMMER SOCKET SITE REFERENCE**

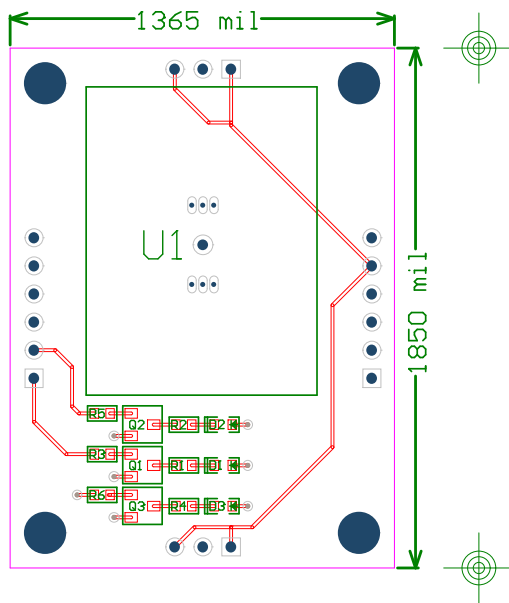



CHIPS SHOWN ARE FOR REFERENCE ONLY



Title		<b>DS9122Q SOCKET (3x3mm)</b>	
Size	Number	Revision <b>A</b>	
Tabloid			
Date:	8/24/2015	Sheet of	
File:	C:\Users\..._DS9122QRev1.SchDoc	Drawn By:	

# TOP ASSEMBLY



DS9122Q	
Part Number: 89-9122Q#000	
Property of  maxim integrated™	Rev 1
Drill and Mechanical Layer	
Date: NOV 19 2014 Units in mils	

SIZE	QTY	SYM	PLATED	TOLERANCE
18	13	*	YES	+/- 0.003
39	19		YES	+/- 0.003
59	1		NO	+/- 0.003
66	1		NO	+/- 0.003
150	4		NO	+/- 0.003

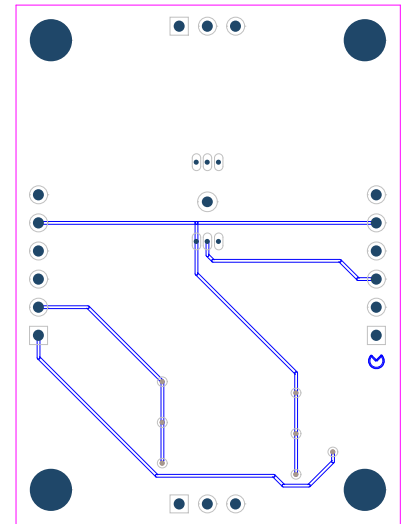
## Notes:

1. Fabricate using provided gerber files per latest revision Of IPC-A-600 unless otherwise noted.
2. Material: RoHS Compliant FR-408 or similar laminate material
3. Board Dimensions: (1365 x 1850 mils)
4. Board Thickness: 62 mils +/- 10%
5. Layers: 2 (Top, Bottom)
6. Minimum Trace/Spacing: 10mil / 7mil
7. Copper Thickness: 1oz on all layers
8. Surface mount pads: 27
9. Soldermask: BLUE
10. Legend: White. Double-Sided. Non-Conductive Epoxy ink or Equiv.
11. Plating: Must be Lead free and RoHS Compliant
12. Finish: Most Economical Lead free and RoHS compliant process
13. Vendor Logo & date code: Allowed on bottom side only
14. Through holes: quantity 38, Slot holes 0, minimum size 18 mil
15. Tolerances:
  - Plated-through holes +/- 3 mil
  - Pattern to pattern +/- 6 mil
  - Legend to legend no preference
  - Soldermask to pattern +/- 6 mil
16. Electrical testing needed: YES

TOP METAL

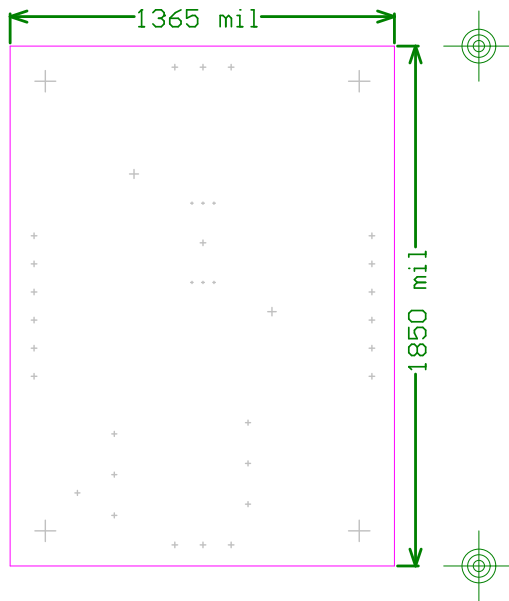
62mil PCB


# BOTTOM ASSEMBLY



Bottom Metal

Bottom Metal



DS9122Q	
Part Number: 89-9122Q#000	
Property of  maxim integrated™	Rev 1
Drill and Mechanical Layer	
Date: NOV 19 2014	Units in mils

SIZE	QTY	SYM	PLATED	TOLERANCE
18	13	+	YES	+/- 0.003
39	19	+	YES	+/- 0.003
59	1	+	NO	+/- 0.003
66	1	+	NO	+/- 0.003
150	4	+	NO	+/- 0.003

Notes:

1. Fabricate using provided gerber files per latest revision Of IPC-A-600 unless otherwise noted.
2. Material: RoHS Compliant FR-408 or similar laminate material
3. Board Dimensions: (1365 x 1850 mils)
4. Board Thickness: 62 mils +/- 10%
5. Layers: 2 (Top, Bottom)
6. Minimum Trace/Spacing: 10mil / 7mil
7. Copper Thickness: 1oz on all layers
8. Surface mount pads: 27
9. Soldermask: BLUE
10. Legend: White. Double-Sided. Non-Conductive Epoxy ink or Equiv.
11. Plating: Must be Lead free and RoHS Compliant
12. Finish: Most Economical Lead free and RoHS compliant process
13. Vendor Logo & date code: Allowed on bottom side only
14. Through holes: quantity 38, Slot holes 0, minimum size 18 mil
15. Tolerances:
  - Plated-through holes +/- 3 mil
  - Pattern to pattern +/- 6 mil
  - Legend to legend no preference
  - Soldermask to pattern +/- 6 mil
16. Electrical testing needed: YES

62mil PCB