



### FEATURES

High Voltage – Very Fast Charge/Discharge – High Power Density –  
Lower ESR  
RoHS Compliant

### APPLICATIONS

Battery Backup/Alternative – Pulse Power – Energy Harvesting – LED  
Displays – Mechanical Actuators – Audio Systems

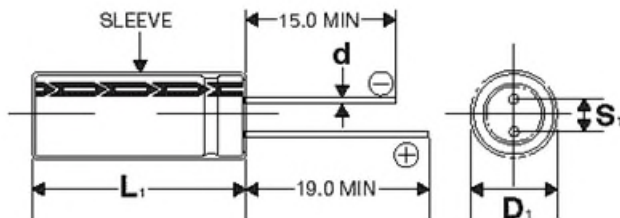
<b>Operating Temperature Range</b>	<b>-40°C to +85°C</b>	
<b>Storage Temperature</b>	<b>-40°C to +70°C</b>	
<b>Capacitance Tolerance @ 20°C</b>	<b>-10% +30% (Q Tolerance) -20% +20% (M Tolerance)</b>	
<b>Voltage (Vdc) (+65°C/+85°C)</b>	<b>3.0V / 2.5V 6.0V / 5.0V</b>	
<b>Life Time</b>	<b>1000 hours with rated voltage applied at rated temperature</b>	
	<b>Capacitance change</b>	±30% of initially measured values
	<b>ESR</b>	<200% of initially specified values*
	<b>Leakage current</b>	≤100% specified maximum value
<b>Shelf Life</b>	<b>1000 hours with no voltage applied at 65°C</b>	
	<b>Capacitance change</b>	±30% of initially measured values
	<b>ESR</b>	<200% of initially specified values
<b>Life Cycles</b> ( 25°C) 1 cycle= Charge to WVDC for 20s, constant voltage charging for 10s, discharge to ½ WVDC for 20s, rest for 10s	<b>500,000 cycles</b>	
	<b>Capacitance change</b>	±30% of initially measured values
	<b>ESR change</b>	<200% of initially specified values

\*ESR change ≤4x at 85°C

[RoHS Compliant](#)

810a Recognized

### Diameter 6.3 mm to 18 mm

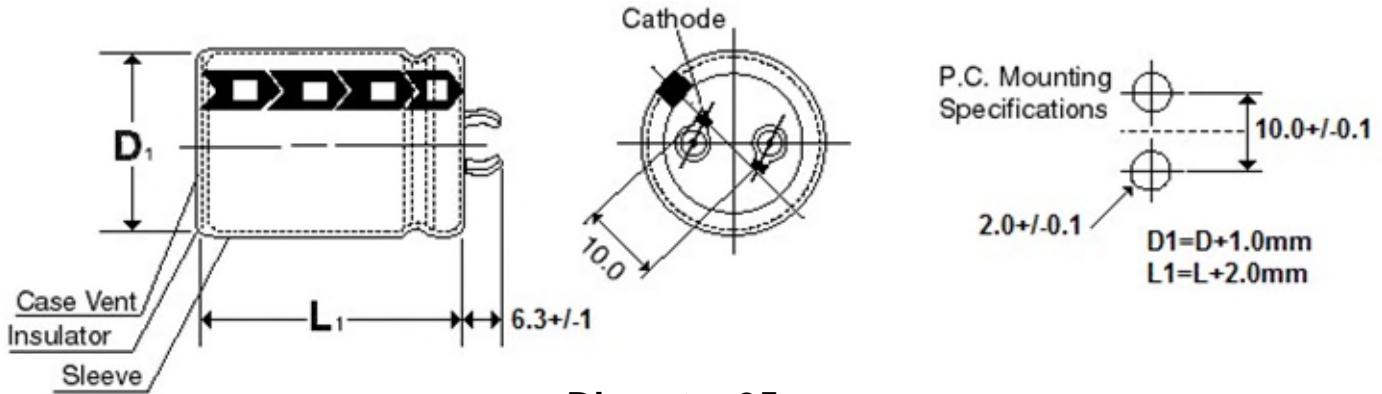


Lead spacing VS. Case diameter						
D	6.3	8	10	12.5	16	18
S	2.5	3.5	5.0	5.0	7.5	7.5
d	0.6	0.6	0.6	0.6	0.8	0.8
α	1.5	1.5	2.0	2.0	2.0	2.0

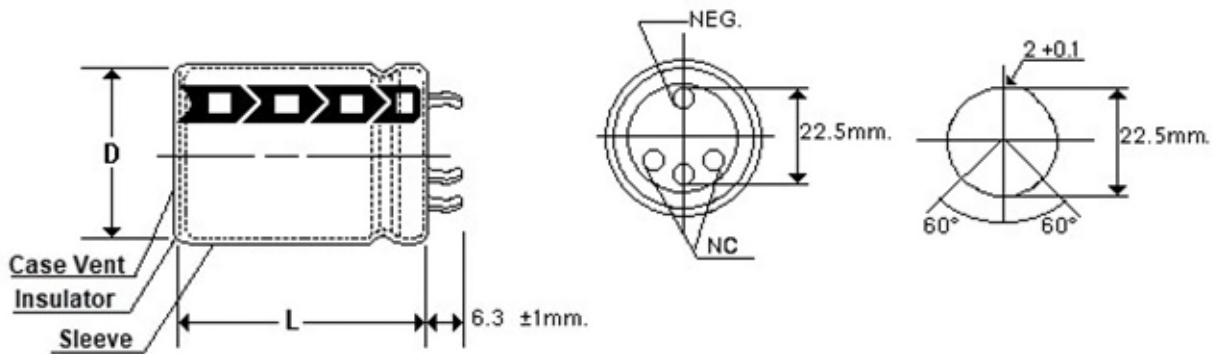
$L_1 = L + \alpha$  mm  
 $D_1 = D + 0.5$  mm  
 $S_1 = S \pm 0.5$  mm



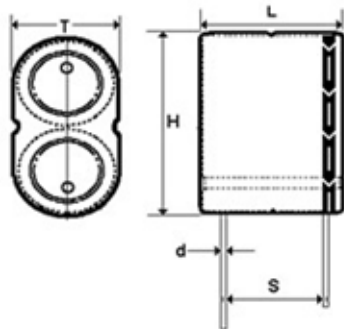
### Diameter > 18 mm to < 35 mm



### Diameter 35 mm



### Capacitance 1.5F to 5F 6 Volts



Capacitance (F)	Dims (LxHxT) (mm) +1.0 mm	Lead spacing (S) (mm) +/-0.5 mm	Lead diameter (d) (mm)
1.5	17x23x8.5	12	0.6
2.5	21x23x11	15.5	0.6
3.5	21x27x11	15.5	0.6
5	21x32x11	15.5	0.6

# DSF

High pulse power, extends battery life

WVDC	Capacitance (F)	IC PART NUMBER	Weight (grams)	Volume (mL)	Dims DxL LxHxT (mm)	Lead Spacing S (mm)	Lead Diameter d (mm)
3	1.2	DSF125M3R0	0.8	0.47	6.3x15	2.5	0.5
3	1.5	DSF155M3R0	0.95	0.56	6.3x18	2.5	0.5
3	2.0	DSF205Q3R0	1	0.703	8x14	3.5	0.6
3	3.0	DSF305Q3R0	1.4	1.01	8x20	3.5	0.6
3	4.0	DSF405M3R0	1.4	1.01	8x20	3.5	0.6
3	5.0	DSF505Q3R0	2.1	1.57	10x20	5	0.6
3	7.0	DSF705Q3R0	2.3	1.96	10x25	5	0.6
3	10.0	DSF106Q3R0C	2.8	1.96	10x25	5	0.6
3	10.0	DSF106Q3R0	3.2	2.36	10x30	5	0.6
3	11.0	DSF116Q3R0	3.2	2.36	10x30	5	0.6
3	15.0	DSF156Q3R0	4.7	3.68	12.5x30	5	0.6
3	25.0	DSF256Q3R0	7	5.03	16x25	7.5	0.8
3	35.0	DSF356Q3R0	8.8	6.33	16x31.5	7.5	0.8
3	50.0	DSF506Q3R0	12.8	10.18	18x40	7.5	0.8
3	70.0	DSF706Q3R0	16.9	10.05	16x50	7.5	0.8
3	100.0	DSF107Q3R0	20	17.11	22x45	10	1.2
3	110.0	DSF117Q3R0	22	15.27	18x60	7.5	0.8
3	200.0	DSF207Q3R0	36	35.34	30x50	10	1.2
3	350.0	DSF357Q3R0	64	57.73	35x60	22.5	1.2
3	400.0	DSF407Q3R0	70	57.73	35x60	22.5	1.2
3	470.0	DSF477Q3R0	70	57.73	35x60	22.5	1.2
3	600.0	DSF607Q3R0	82	67.35	35x70	22.5	1.2
6	1.5	DSF155Q6R0HAE	3	2.97	17x23x8.5	12	0.6
6	2.5	DSF255Q6R0JBE	5.2	4.97	21x23x11	15.5	0.6
6	3.5	DSF355Q6R0JBF	6	5.83	21x27x11	15.5	0.6
6	5.0	DSF505Q6R0JBG	8.3	6.91	21x32x11	15.5	0.6