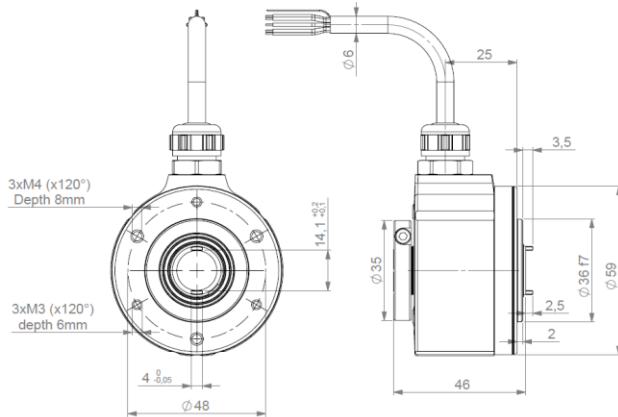


SIL3 PLe - INCREMENTAL ENCODERS - DSO5H RANGE

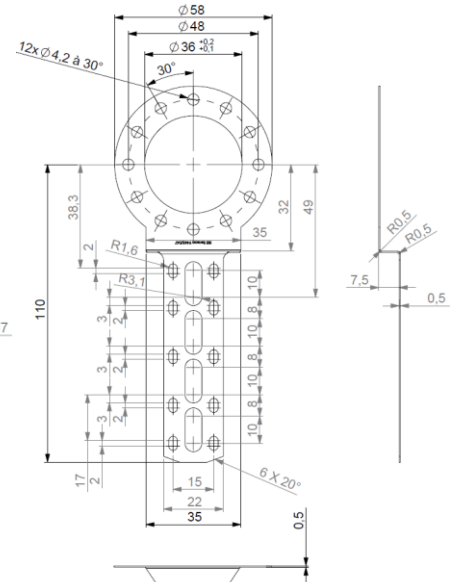
- Usable up to SIL 3 / PLe according to IEC 61508 / IEC 13849.
- Suitable for safe motor feedback according to IEC 61800-5-2.
- Robustness and excellent resistance to shocks / vibrations.
- 58mm encoder, through shaft, standard 14mm.
- High protection level: IP 65.
- High performances in temperature -20°C to $+85^{\circ}\text{C}$.
- Power supply 5Vdc or 11/30Vdc.
- Digital TTL/RS422 or HTL Push-pull or sine/cosine 1Vpp output.
- Available resolution up to 2500 ppr.
- Connector or cable output, side orientation.
- Adapted anti-rotation system.



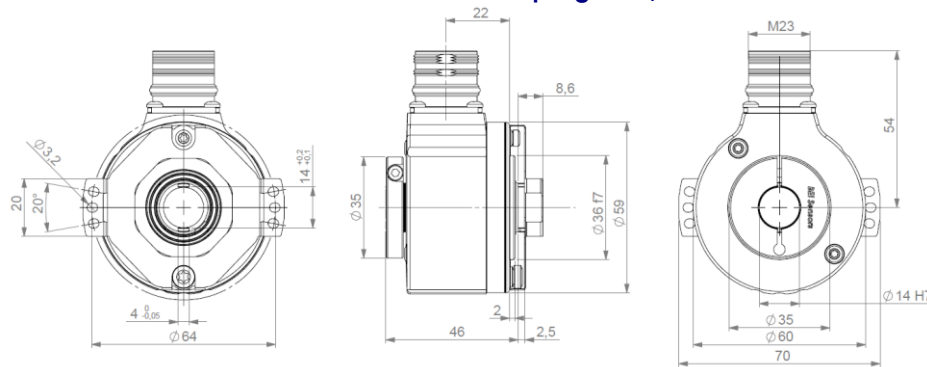
DSO5H - radial cable



9445/047 tether arm



DSO5H radial M23 - with stator coupling 9445/044



		9445/044	9445/047
Permissible misalignments	Axial	+/- 1mm	+/- 1mm
	Radial	+/- 0.2mm	+/- 0.2mm
	Perpend.	+/- 2°	+/- 5°
	Runout	0.1mm	0.1mm
Angular rigidity		200 N.m/rad	250 N.m/rad

MECHANICAL CHARACTERISTICS

Material	Cover : powder coated zinc alloy
	Body : aluminum
	Shaft : AISI 303 stainless steel
Bearings	6 803 serie - sealed
Maximum loads	Axial : 20 N
	Radial : 40 N

Shaft inertia	< 9 500 g.mm ²
Static/Dynamic torque	10 / 85 mN.m
Permissible max. speed	9 000 min ⁻¹
Continuous max. speed	4 000 min ⁻¹
Theoretical mechanical lifetime L ₁₀ H*	> 24.10 ⁹ turns / 100 000 hours
Encoder weight (approx.)	0,280 kg

* continuous max. speed – 1/2 max. load – according to ISO 281 : 1990, L₁₀

TEMPERATURE CONDITIONS

Operating temperature	- 20 ... + 85 °C (encoder T°)
-----------------------	-------------------------------

Storage temperature	- 20 ... + 85 °C
---------------------	------------------

SIL3 PLe - INCREMENTAL ENCODERS - DSO5H RANGE

ELECTRICAL CHARACTERISTICS / FUNCTIONAL SAFETY PARAMETERS

Electronic Version	Output signals	Operating Voltage +V	Supply current	Current per channel pair	Short circuits proof	Reverse polarity protected	PFD	PFH	MTTFd	DC
2G2	Digital	5V +/-5%	100mA with no load	40mA	Yes	Yes	7,51E-05	8,58E-10	1331	HIGH
5G2	TTL RS422	11-30V			Not to +V		9,52E-05	1,09E-09	1050	
5G5	Digital HTL				Yes		9,52E-05	1,09E-09	1050	
2WT	Sine Cosine	5V +/-5%	70mA with no load	10mA	Yes		4,29E-05	4,90E-10	2328	
5WT	1Vpp	11-30V			Not to +V		6,60E-05	7,53E-10	1515	

Safety mission time: 20 years

STANDARDS CONFORMITY

Protection(EN 60529)	IP 65
Humidity (EN 60068-2-38)	93% @ 65°C
Shock (EN60068-2-27)	≤ 500m.s ⁻² (during 6 ms)
Vibration (EN60068-2-6)	≤ 200m.s ⁻² (10 ... 2 000 Hz)
EMC Immunity Test	EN 61000-6-2,increased levels
EMC Emission Test	EN 61000-6-4,increased levels
Isolation	1000 Veff
Salt Sparay (EN 60068-2-11 part 2)	96h

Functional safety	IEC 61508
	IEC 62061
	ISO 13849-1
	IEC 61800-5-2
	IEC 62061
Encoders usable up to SIL3 / PLe with external specific requirements, see safety user manual for details.	
ZZ/ are not safety signals.	

ELECTRICAL CONNECTIONS

		0V	+V	A or S	B or C	Z	A/ or S/	B/ or C/	Z/	Ground
G6	M23 - 12 pins CW	1	2	3	4	5	6	7	8	Connector Body
G8	M23 - 12 pins CCW	10 + 11	2 + 12	8	5	3	1	6	4	Connector Body
G3	PVC cable 8 wires 8230/020	WH white	BN brown	GN green	YE yellow	GY grey	PK pink	BU blue	RD red	General shielding
GP	PUR cable 12 wires 8230/050	WH white + WH/GN white / green	BU blue + BN/GN brown / green	GY grey	BN brown	RD red	PK pink	GN green	BK black	General shielding

AVAILABLE RESOLUTION

250 256 360 500 512 1000 1024 2048 2500

ORDERING REFERENCE (Contact the factory for special versions, ex: shaft size, resolution, connections)

	Shaft Ø	Supply	Output stage	Output signals	Resolution	Connection	Orientation	Anti-rotation		
DSO5H	14: 14mm	Digital signals: 2G2, 5G2, 5G5			2500 max	G6: M23 12 pins CW G8: M23 12 pins CCW	R: radial	**DX** 9445/044		
		2:5Vdc 5:11 to 30Vdc	G2: driver 5Vdc RS422 G5: push-pull	9: AA/ BB/ ZZ/						
		Sine-wave signals: 2WT, 5WT				2: 5Vdc 5:11 to 30Vdc	WT: sine 1Vpp N: SS/ CC/ ZZ/		GP: PUR cable 12 wires G3: PVC cable 8 wires	Example : R020 : radial cable 2m
Ex:DSO5H	14 //	5	G2	9 //	01024 //	GP	R050 //	**DX**		

Made in France