

SOLENOID PRODUCT SPECIFICATION

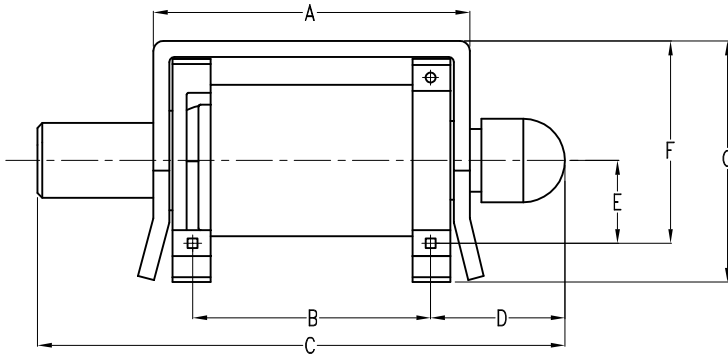
PART No.	VOLTAGE	DUTY CYCLE	POWER (W)	CURRENT (A)	DCR (Ω) *
DSOS-0416-03D	3.0 Vdc	50%, 1.5 sec On.	3.8	1.28	2.33
DSOS-0416-05D	5.0 Vdc	50%, 1.5 sec On.	3.3	0.66	7.55
DSOS-0416-09D	9.0 Vdc	50%, 1.5 sec On.	3.6	0.4	22.6
DSOS-0416-12D	12 Vdc	50%, 1.5 sec On.	3.6	0.3	40
DSOS-0416-18D	18 Vdc	50%, 1.5 sec On.	3.6	0.2	88
DSOS-0416-24D	24 Vdc	50%, 1.5 sec On.	3.6	0.15	160

* OPERATION: POWER TO PUSH, BUILT-IN RETURN SPRING.

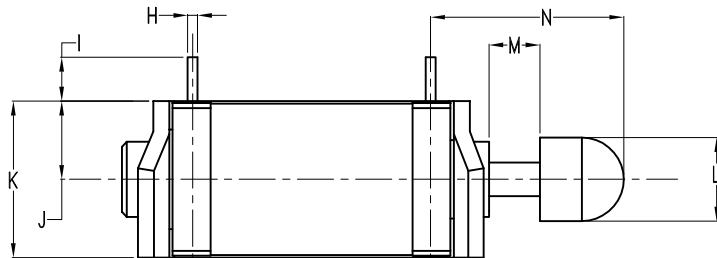
* DCR VALUES ARE ±10% AT 25°C

* WEIGHT ARE 6 GRAMS ±10%.

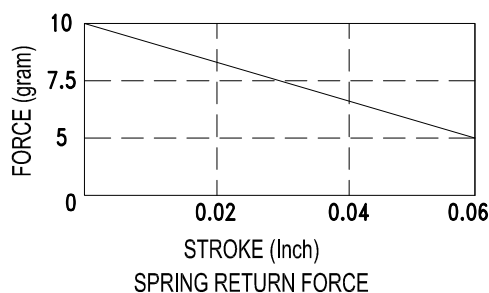
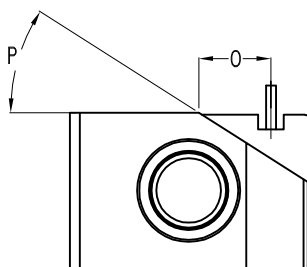
1. MECHANICAL DIMENSIONS :



PLUNGER AND PLUNGER TIP SHOWN
 IN RESET (NON ACTIVATED) POSITION



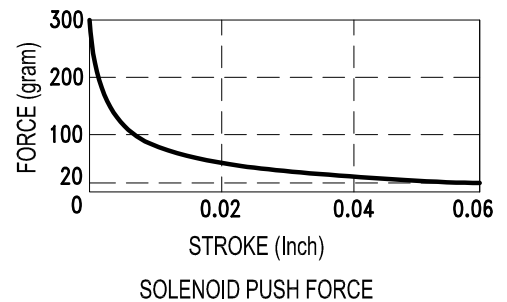
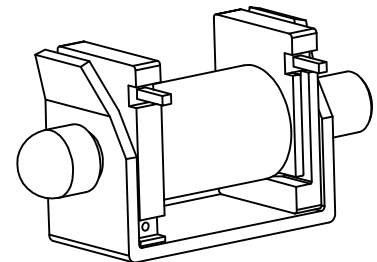
PLUNGER AND PLUNGER TIP SHOWN
 IN FULLY ACTIVATED POSITION



SPRING RETURN FORCE

UNIT : INCH

- A = .622 ± .010
- B = .476 ± .011
- C = 1.00 ± .010
- D = .263 ± .010
- E = .158 ± .011
- F = .393 ± .013
- G = .471 ± .013
- H = 2X- SQ .023 +.015^--.001
- I = 2X- .07 +.010^--.020
- J = .152 ± .010
- K = .304 ± .010
- L = □ .165 ± .010
- M = .060 ± .010
- N = .323 +.011^--.022
- O = 2X.134±.016
- P = 34°±1°



SOLENOID PUSH FORCE

INSULATION MATERIALS: UL CONSTRUCTION, CLASS A 105°C
 LIFE EXPECTANCY: 100K CYCLES OPERATIONS

LAYER TEST	IR. @500 Vdc.	HI-POT
(S-F) : 500Vp. MIN.	COIL TO FRAME	@50/60Hz.,2mA
TEST ONLY COIL	100 MOHM MIN.	COIL TO FRAME
		1020Vac., 60s