

SOLENOID PRODUCT SPECIFICATION

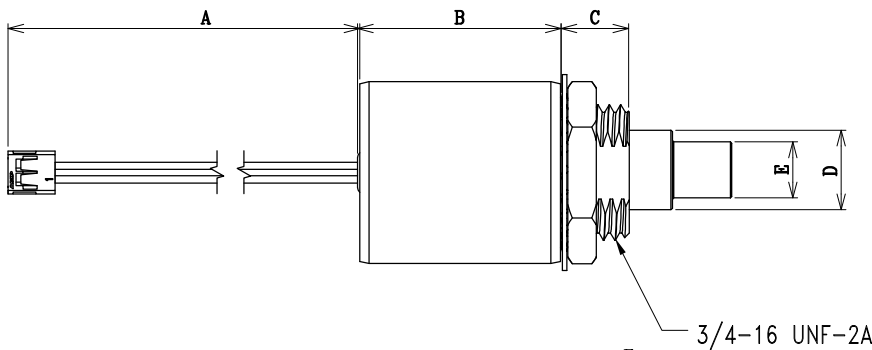
PART No.	VOLTAGE	DUTY CYCLE	POWER (W)	CURRENT (A)	DCR (Ω) *
DSTL-0829-24	24 VDC	10%, 10sec On Max.	76	3.2	7.5
DSTL-0829-18	18 VDC	10%, 10sec On Max.	72	4	4.5
DSTL-0829-12	12 VDC	10%, 10sec On Max.	72	6	2
DSTL-0829-09	9 VDC	10%, 10sec On Max.	73	8.2	1.1
DSTL-0829-05	5 VDC	10%, 10sec On Max.	70	13.8	0.36

* OPERATION: POWER TO PULL

* DCR VALUES ARE ±10% AT 25°C

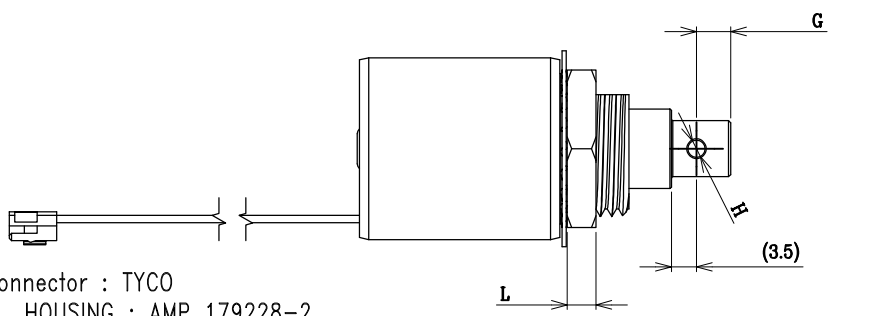
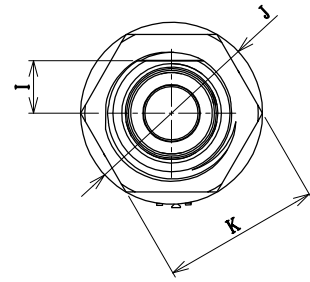
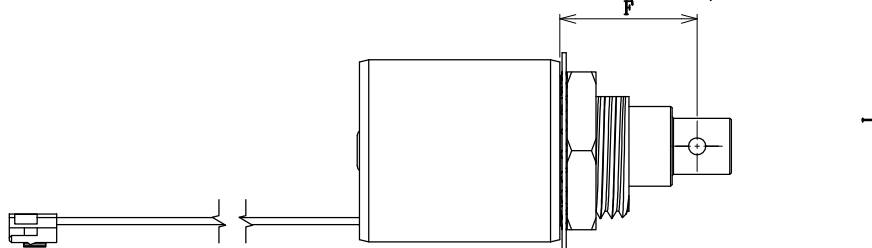
* WEIGHT ARE 102 GRAMS ±10%

1. MECHANICAL DIMENSIONS :



UNIT : mm.

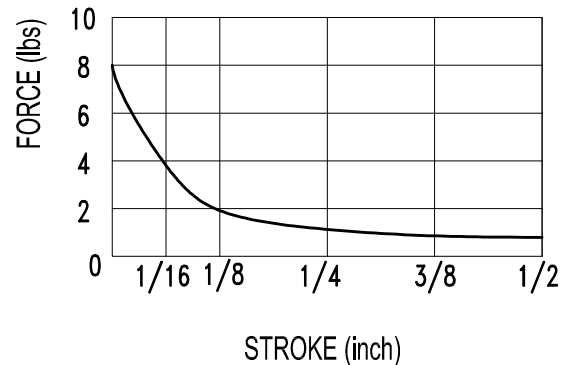
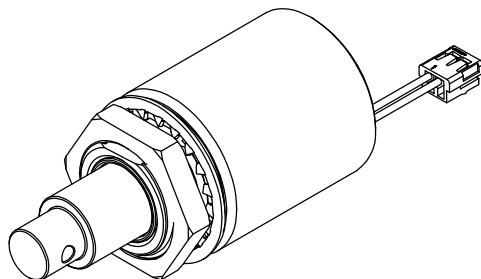
- A = 100±10
- B = 28.956 MAX
- C = 9.53±.25
- D = Ø11.11±.05
- E = Ø7.82±.08
- F = 19.05±.51
- G = 4.78±.25
- H = Ø2.4^{+0.06}_{-0.02}
- I = 7.56±.5
- J = Ø25.4±.5
- K = 22.22±.5
- L = 4.0±.5



UNSPECIFIED TOLERANCES
 DIMENSION

- .X : ±.5
- .XX : ±.25
- ANGLE : ± 1°

Connector : TYCO
 HOUSING : AMP 179228-2
 CONTACT PIN : AMP 179227-1
 CABLE : AWG 24 UL 1007



INSULATION MATERIALS: UL CONSTRUCTION, CLASS B 130°C
 LIFE EXPECTANCY: 100K CYCLES OPERATIONS

LAYER TEST	IR. @500 Vdc.	HI-POT
(S-F) : 2KVp. MIN.	COIL TO CASE	@50/60Hz.,2mA
TEST ONLY COIL	30 MOHM MIN.	COIL TO CASE
		1048Vac.,60s