

4

3

2

1

D

D

C

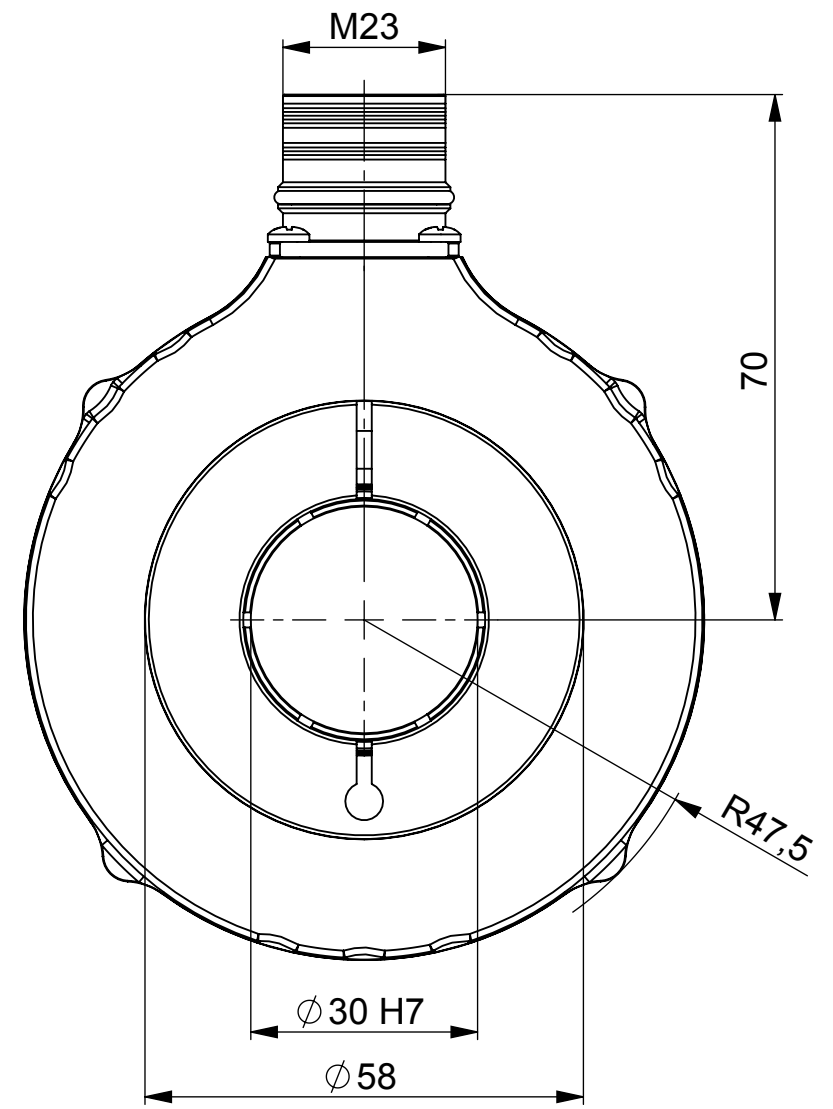
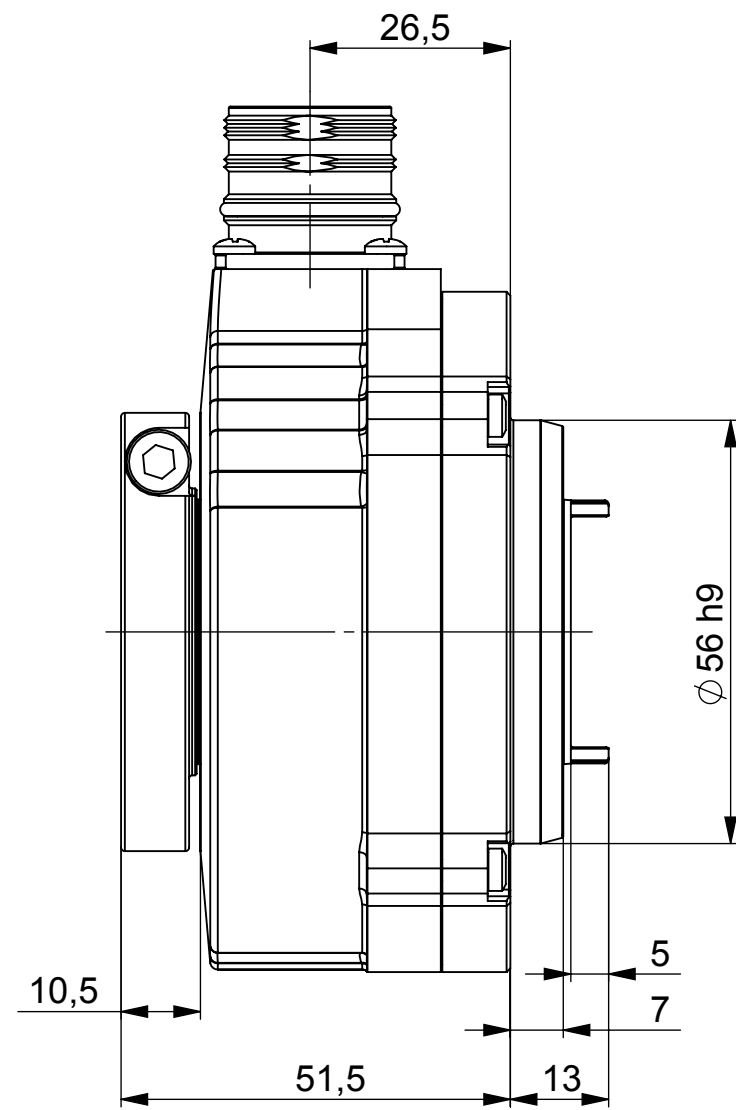
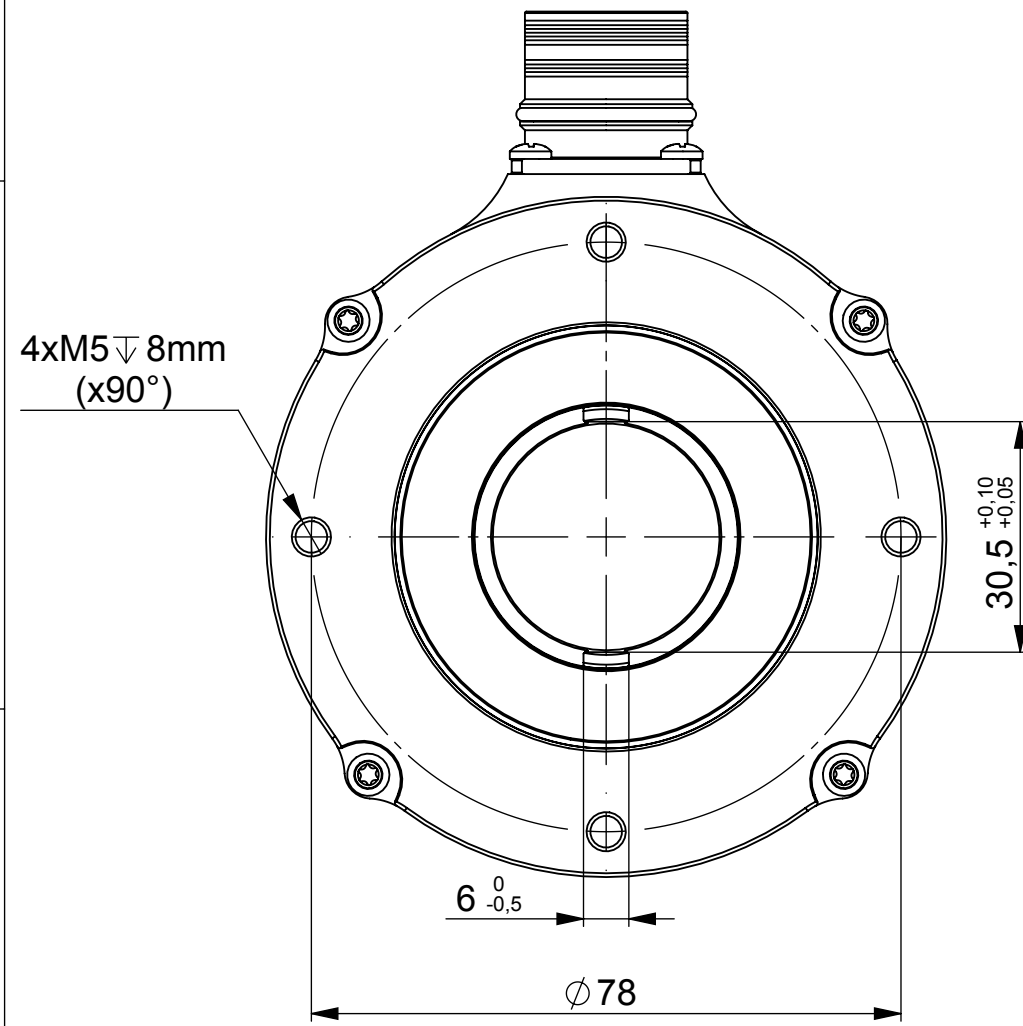
C

B

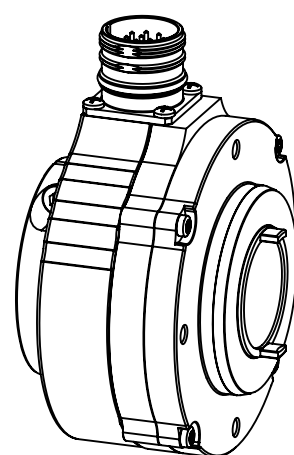
B


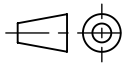
A

A



**Functional Safety Product - TÜV certified -**  
 Toute modification est soumise à l'approbation du FSM  
 All modifications must be approved by the  
 Functional Safety Manager (FSM)



<b>UNCONTROLLED COPY</b>				
FIRST ISSUE DATE : 28/03/2018	SENSATA TECHNOLOGIES PROPRIETARY AND CONFIDENTIAL. NEITHER THIS PRINT NOR THE INFORMATION CONTAINED HEREON IS TO BE USED AGAINST THE INTERESTS OF SENSATA TECHNOLOGIES OR AGAINST THE INTERESTS OF ANY OF ITS AFFILIATED COMPANIES OR WHOLLY OWNED SUBSIDIARIES.	 BEI Sensors BEI SENSORS SAS Espace Européen de l'Entreprise 9, rue de Copenhague BP 70044 - F 67013 STRASBOURG Cedex Tel : +33 (0)3 88 20 81 40		
DRAWN : RHM				
APPROVED : JHH				
DATE : 28/03/2018	UNLESS OTHERWISE SPECIFIED DIMENSIONS ARE IN MILLIMETERS (INCHES) AND ARE INTENDED AS NOMINAL. SEE PRODUCT SPECIFICATION FOR MORE DETAILS.	TITLE <b>DSU9H30_M23 Connector_Radial</b>		
ECN :		SIZE A3	DWG NO. <b>M013</b>	REV. A
DATE :		SCALE 1/1	SOLIDWORKS	SHEET 1 OF 1
Housing material : Aluminum	DO NOT SCALE DRAWING	EUROPEAN SYSTEM 		
Flange material : Aluminum		PROJECT:		
Shaft material : Stainless Steel		DEVICE:		

4

3

2

1