

SPECIFICATION

PATENT PENDING

- Part No. : **DTAD.01.A.50**
- Product Name : Compact Evaluation Boards for
Evolution DTA.01.A Digital Tunable Antenna
for 4G and 3G Cellular Applications
- Feature : Complete Reference Design
Increases antenna efficiency from $\sim 7\%$ to $\sim 28\%$
Perfect for smaller ground plane sizes down to 50x45 mm
Enables better transmission and reception for 4G and 3G
USB Controlling interface
SMA(F) Connector for Antenna Measurement
RoHS Compliant



1. Introduction

The DTAD.01.A.50 is an evaluation board for Taoglas new patent pending series of Evolution DTA tunable antennas. DTA antennas deliver higher efficiency on smaller ground-plane than traditional passive antennas, enabling a new miniaturized generation of high performance wireless devices. Typical applications would be 3G On Board Diagnostic (OBDII) Devices in automotive, medical telemetry devices, 4G dongles, access points and routers.

The board contains a surface-mount ceramic antenna DTA.01, a tunable capacitor PE64102 DuNE™ (32 state capacitance) from Peregrine Semiconductor and a matching circuit. Via a USB connection to the board, the antenna frequency response is shifted via a command from a PC with Peregrine supplied software and driver. The antenna parameters itself can be measured via the on-board SMA connector.

A new generation of M2M devices with as little as a 50mm ground-plane in length can now achieve wide frequency coverage and higher data rates with large bandwidth for a passive antenna with the same footprint and volume.

The DTAD.01.A.50 board (60.50x45mm) with ground plane size of 50x45 mm can perform efficiently at a bandwidth from 698-960 MHz and from 1710-2170 MHz, covering all worldwide cellular 4G/3G bands in a tiny form factor. In combination with your device's microprocessor it has the ability to dynamically improve the efficiency of a given antenna band in real time.

Using a combination of the DTA.01 and the PE64102 we can cover the entire bandwidth for 4G and 3G cellular bands. Using the State 03 (2.58 pF) we can cover the 700/850/1800/1900 and 2100 MHz Band only and with the State 13 (6.52) pF we can cover a penta-band solution 850/900/1800/1900 and 2100 MHz. The optimal states will change depending on the ground-plane, device's board and mechanical environment.

Please download the Peregrine's full set of support information. See our full links in the appendix at the end of the document.

The DTAD01 board with a ground plane of 50x45 mm has not been designed with the intention of passing the cellular carrier's minimum requirements. The integration is to achieve the maximum performance possible in the smallest form factor.

2. Specification

ELECTRICAL						
State	State 03 (2.58pF)	State 13 (6.52 pF)				
Band (MHz)	700	850	900	1800	1900	2100
Return Loss (dB)	-7	-11	-11	-13	-14	-8
Efficiency (%)	26	28	27	60	55	48
Average Gain (dB)	-5.5	-5.3	-5.4	-2.2	-2.8	-2.9
Peak Gain (dBi)	1.3	1.8	1.8	2.5	2.5	2.2
Impedance	50 Ω					
Ground Size	50x45 mm					
Board Size	60.50x45 mm					
Radiation Pattern	Omni-Directional					
Input Power	26 dBm max					
MECHANICAL						
Antenna Dimension	40x6x5 mm					
Board Dimension	60.50x45x1.57 mm					
Weight	20 g					
Connector	SMA-Female					

*Based 50x45 mm ground plane size, on State 03 and State 13 respectively.

**For more detailed information please see the graphs below.

2.1. LTE Bands Covered in State 3

LTE BANDS			
Band Number	LTE / LTE-Advanced / WCDMA / HSPA / HSPA+ / TD-SCDMA		
	Uplink	Downlink	Covered
1	UL: 1920 to 1980	DL: 2110 to 2170	✓
2	UL: 1850 to 1910	DL: 1930 to 1990	✓
3	UL: 1710 to 1785	DL: 1805 to 1880	✓
4	UL: 1710 to 1755	DL: 2110 to 2155	✓
5	UL: 824 to 849	DL: 869 to 894	✓
7	UL: 2500 to 2570	DL: 2620 to 2690	✗
8	UL: 880 to 915	DL: 925 to 960	✗
9	UL: 1749.9 to 1784.9	DL: 1844.9 to 1879.9	✓
11	UL: 1427.9 to 1447.9	DL: 1475.9 to 1495.9	✗
12	UL: 699 to 716	DL: 729 to 746	✓
13	UL: 777 to 787	DL: 746 to 756	✓
14	UL: 788 to 798	DL: 758 to 768	✓
17	UL: 704 to 716	DL: 734 to 746 (LTE only)	✓
18	UL: 815 to 830	DL: 860 to 875 (LTE only)	✓
19	UL: 830 to 845	DL: 875 to 890	✗
20	UL: 832 to 862	DL: 791 to 821	✓
21	UL: 1447.9 to 1462.9	DL: 1495.9 to 1510.9	✗
22	UL: 3410 to 3490	DL: 3510 to 3590	✗
23	UL: 2000 to 2020	DL: 2180 to 2200 (LTE only)	✓
24	UL: 1625.5 to 1660.5	DL: 1525 to 1559 (LTE only)	✓
25	UL: 1850 to 1915	DL: 1930 to 1995	✓
26	UL: 814 to 849	DL: 859 to 894	✓
27	UL: 807 to 824	DL: 852 to 869 (LTE only)	✓
28	UL: 703 to 748	DL: 758 to 803 (LTE only)	✓
29	UL: -	DL: 717 to 728 (LTE only)	✓
30	UL: 2305 to 2315	DL: 2350 to 2360 (LTE only)	✗
31	UL: 452.5 to 457.5	DL: 462.5 to 467.5 (LTE only)	✗
32	UL: -	DL: 1452 - 1496	✗
35		1850 to 1910	✓
38		2570 to 2620	✗
39		1880 to 1920	✓
40		2300 to 2400	✗
41		2496 to 2690	✗
42		3400 to 3600	✗
43		3600 to 3800	✗

*Covered bands represent an efficiency greater than 20%

2.2. LTE Bands Covered in State 13

LTE BANDS			
Band Number	LTE / LTE-Advanced / WCDMA / HSPA / HSPA+ / TD-SCDMA		
	Uplink	Downlink	Covered
1	UL: 1920 to 1980	DL: 2110 to 2170	✓
2	UL: 1850 to 1910	DL: 1930 to 1990	✓
3	UL: 1710 to 1785	DL: 1805 to 1880	✓
4	UL: 1710 to 1755	DL: 2110 to 2155	✓
5	UL: 824 to 849	DL: 869 to 894	✗
7	UL: 2500 to 2570	DL: 2620 to 2690	✗
8	UL: 880 to 915	DL: 925 to 960	✓
9	UL: 1749.9 to 1784.9	DL: 1844.9 to 1879.9	✓
11	UL: 1427.9 to 1447.9	DL: 1475.9 to 1495.9	✗
12	UL: 699 to 716	DL: 729 to 746	✗
13	UL: 777 to 787	DL: 746 to 756	✗
14	UL: 788 to 798	DL: 758 to 768	✗
17	UL: 704 to 716	DL: 734 to 746 (LTE only)	✗
18	UL: 815 to 830	DL: 860 to 875 (LTE only)	✓
19	UL: 830 to 845	DL: 875 to 890	✓
20	UL: 832 to 862	DL: 791 to 821	✓
21	UL: 1447.9 to 1462.9	DL: 1495.9 to 1510.9	✗
22	UL: 3410 to 3490	DL: 3510 to 3590	✗
23	UL: 2000 to 2020	DL: 2180 to 2200 (LTE only)	✓
24	UL: 1625.5 to 1660.5	DL: 1525 to 1559 (LTE only)	✓
25	UL: 1850 to 1915	DL: 1930 to 1995	✓
26	UL: 814 to 849	DL: 859 to 894	✗
27	UL: 807 to 824	DL: 852 to 869 (LTE only)	✓
28	UL: 703 to 748	DL: 758 to 803 (LTE only)	✓
29	UL: -	DL: 717 to 728 (LTE only)	✓
30	UL: 2305 to 2315	DL: 2350 to 2360 (LTE only)	✗
31	UL: 452.5 to 457.5	DL: 462.5 to 467.5 (LTE only)	✗
32	UL: -	DL: 1452 - 1496	✗
35	1850 to 1910		✓
38	2570 to 2620		✗
39	1880 to 1920		✓
40	2300 to 2400		✗
41	2496 to 2690		✗
42	3400 to 3600		✗
43	3600 to 3800		✗

*Covered bands represent an efficiency greater than 20%

3. Antenna Setup



Figure 1. Impedance test.

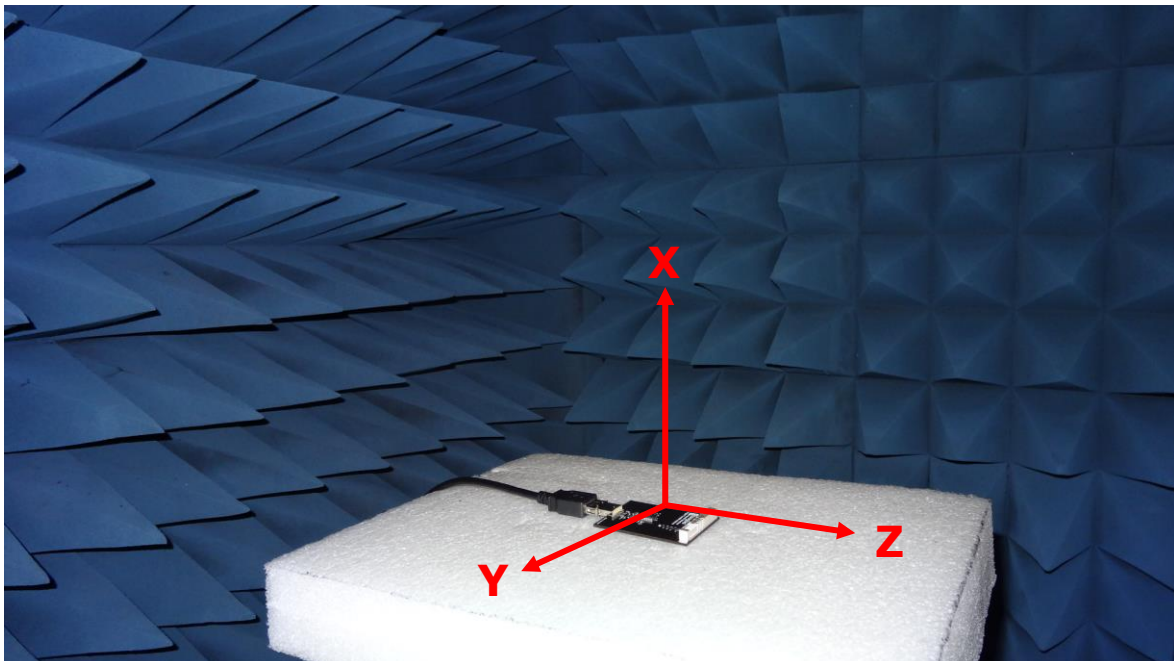


Figure 2. Over the air test

4. Antenna Parameters

4.1. Return Loss

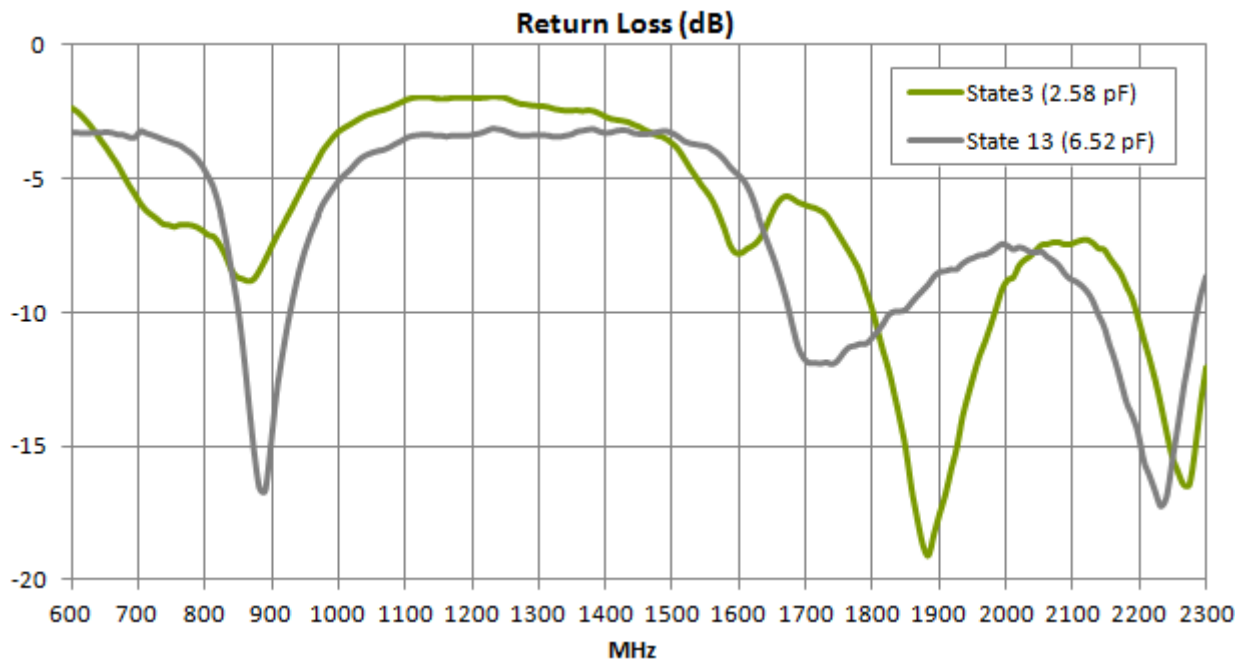


Figure 3. Return Loss of DTA.01.

4.2. Efficiency

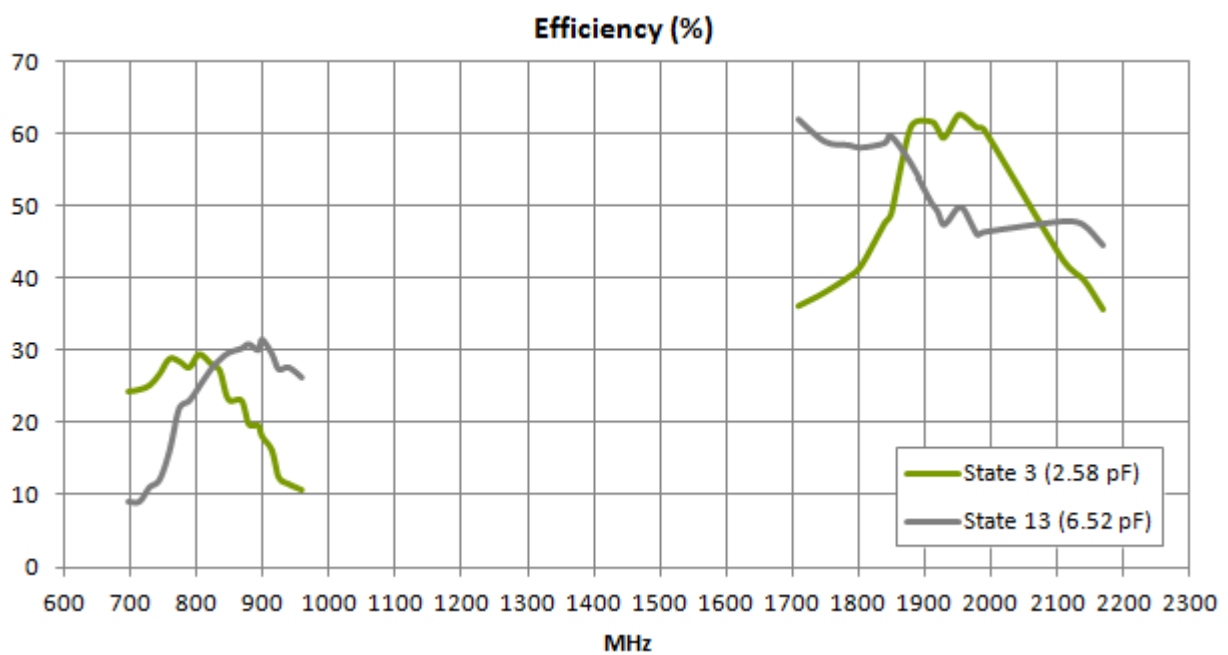


Figure 4. Efficiency of the DTA.01 Antenna.

4.3. Peak Gain

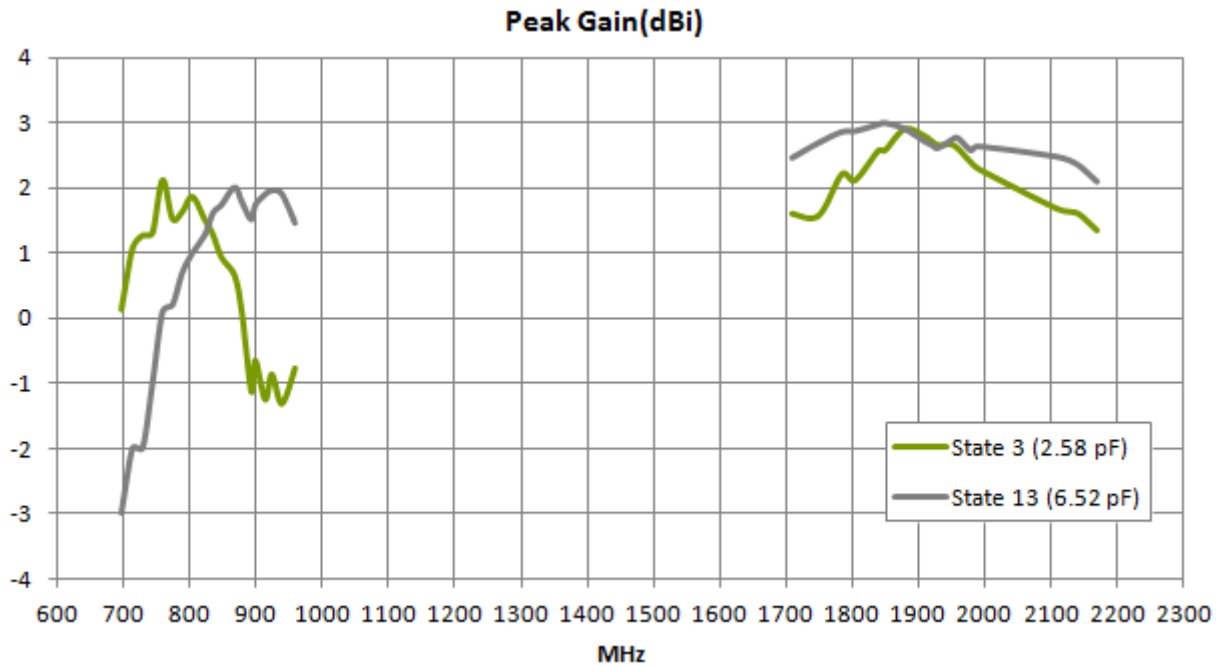


Figure 5. Peak Gain of DTA.01 Antenna.

4.4. Average Gain

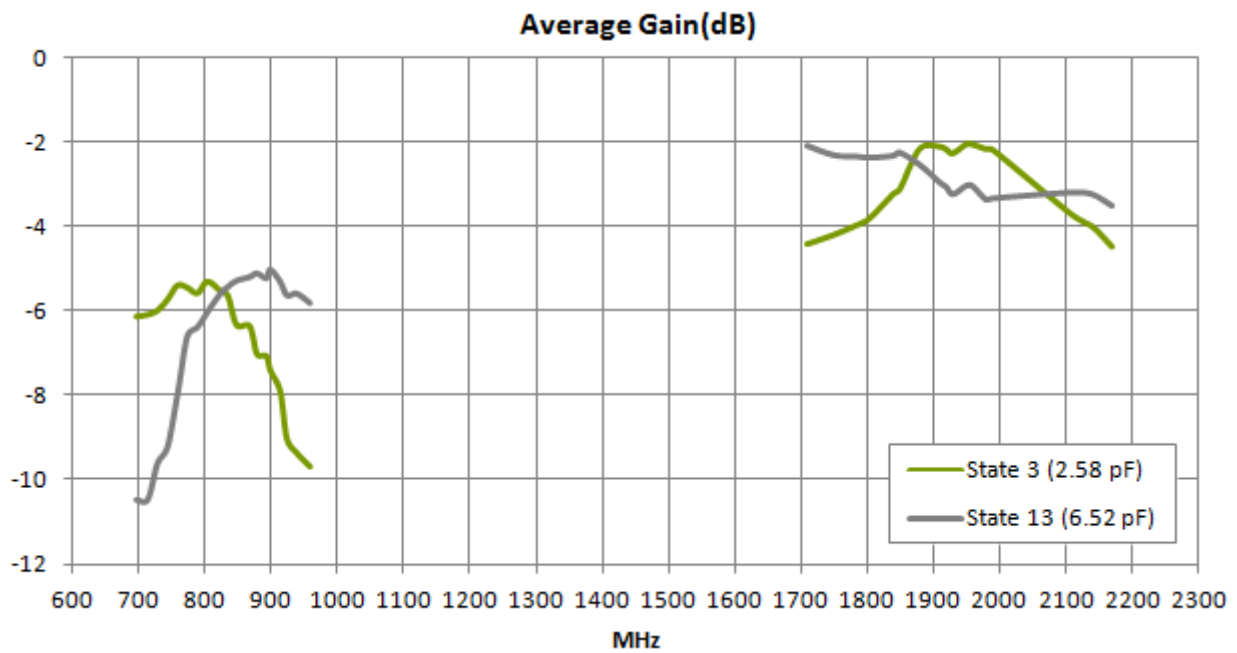


Figure 6. Average Gain of DTA.01 Antenna.

5. Comparison Performance

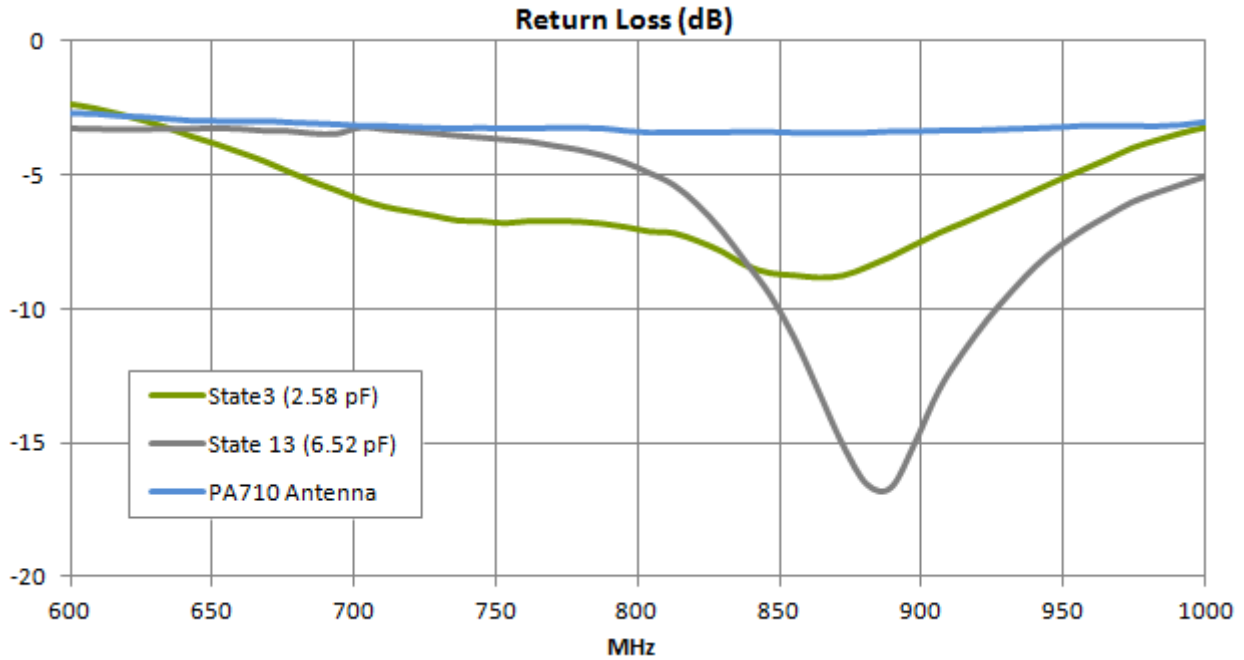


Figure 7. Return Loss Comparison of DTA.01 vs. PA.710 Antenna, with 50x45mm ground plane.

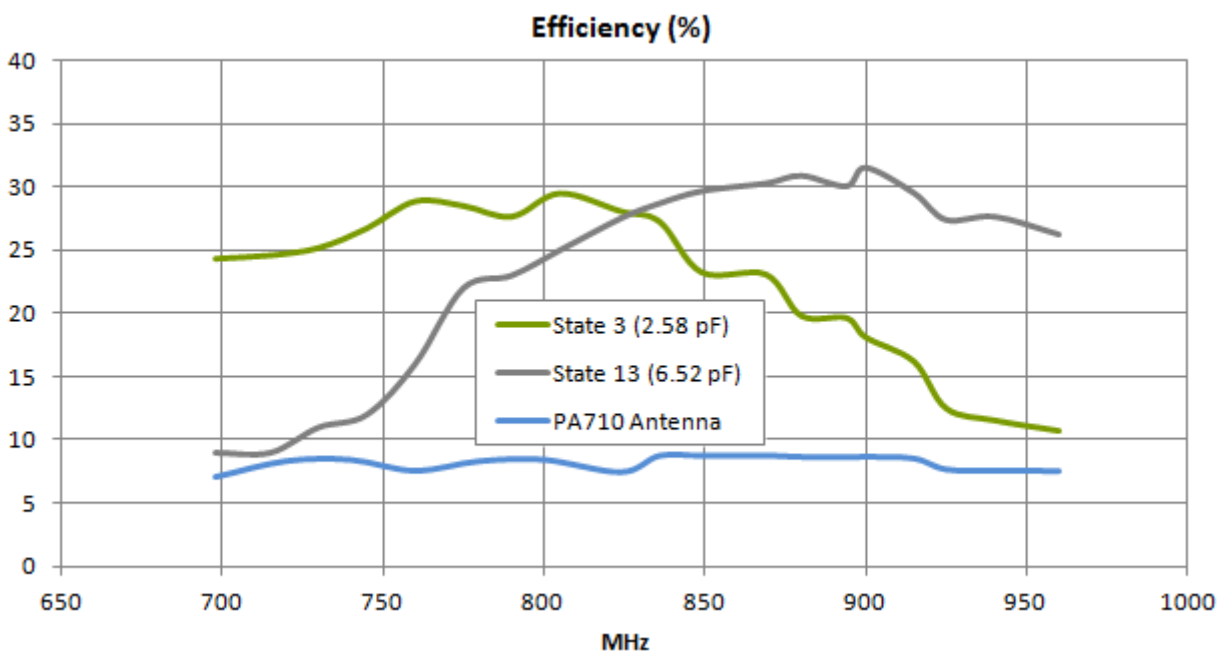


Figure 8. Return Loss Comparison of DTA.01 vs. PA.710 Antenna, with 50x45mm ground plane.

6. Antenna Radiation Patterns

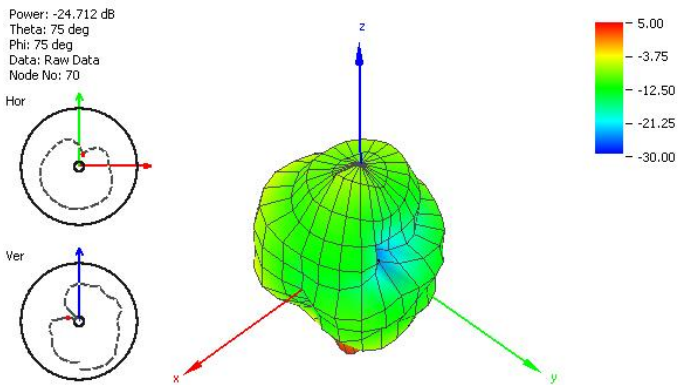


Figure 9. Radiation Pattern at 750 MHz, State 3.

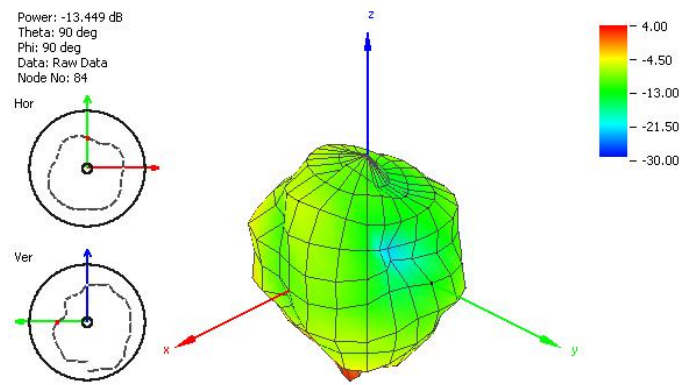


Figure 10. Radiation Pattern at 849 MHz, State 13.

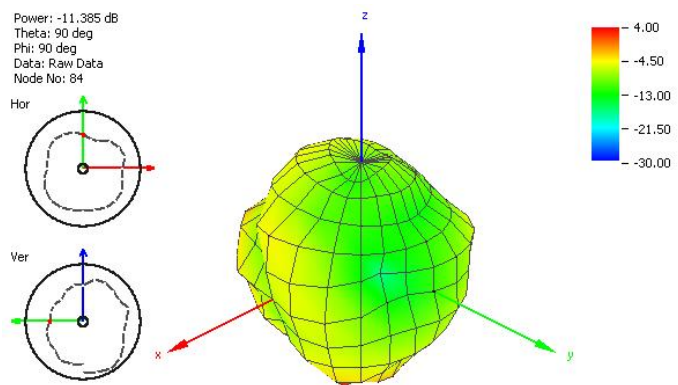


Figure 11. Radiation Pattern at 915 MHz, State 13.

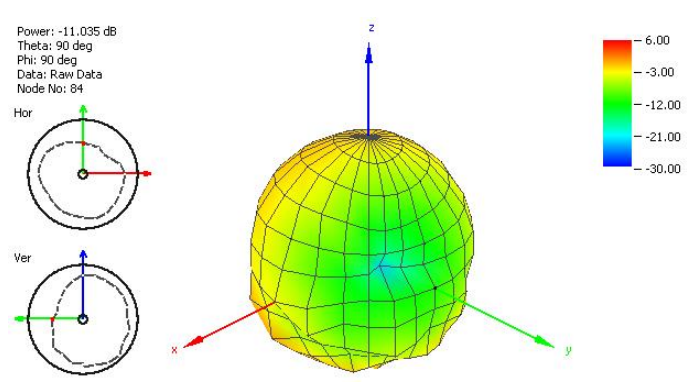


Figure 12. Radiation Pattern at 1850 MHz, State 13.

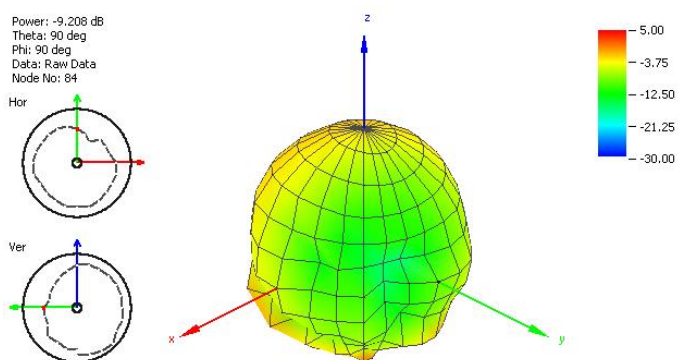


Figure 13. Radiation Pattern at 1950 MHz, State 13.

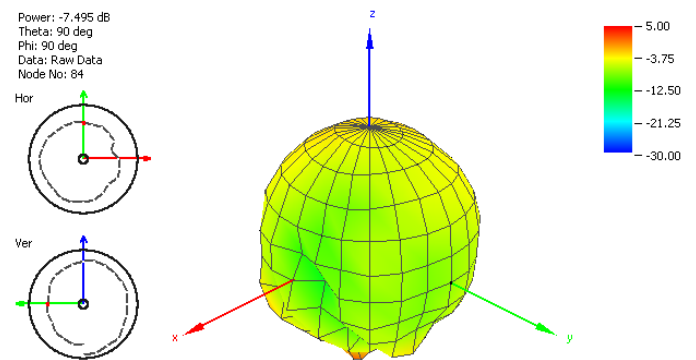


Figure 14. Radiation Pattern at 2140 MHz, State 13.

7. Matching Circuit

The antenna matching for a ground plane of 50x45 mm is a combination of capacitors and inductors as follows;

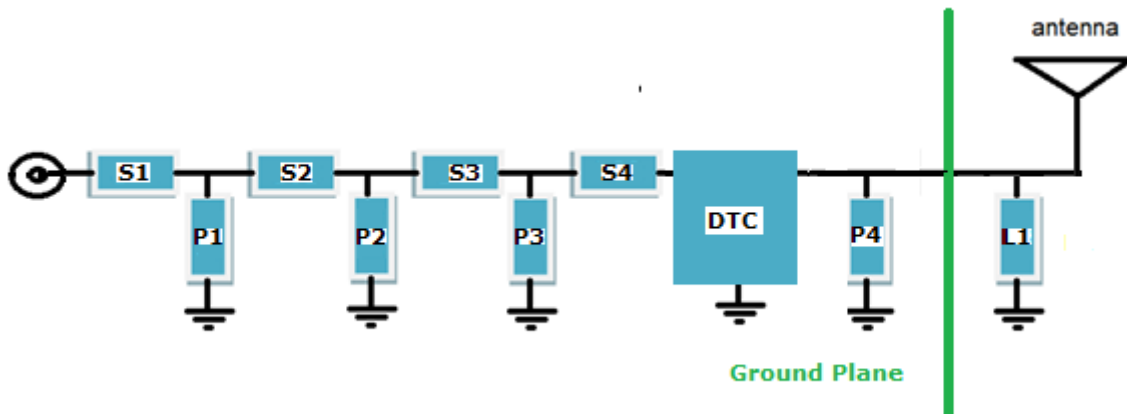


Figure 15. Antenna Matching.

Inductor Outside of Ground Plane

L1= reserved for later use if required

Series Elements

S1= 0 Ohm, **S2**=10 pF, **S3**=0.5 nH, **S4**=0.5 nH,

Parallel Elements

P1=47 nH, **P2**=6.2 nH, **P3**=1 pF, **P4**=3.9nH

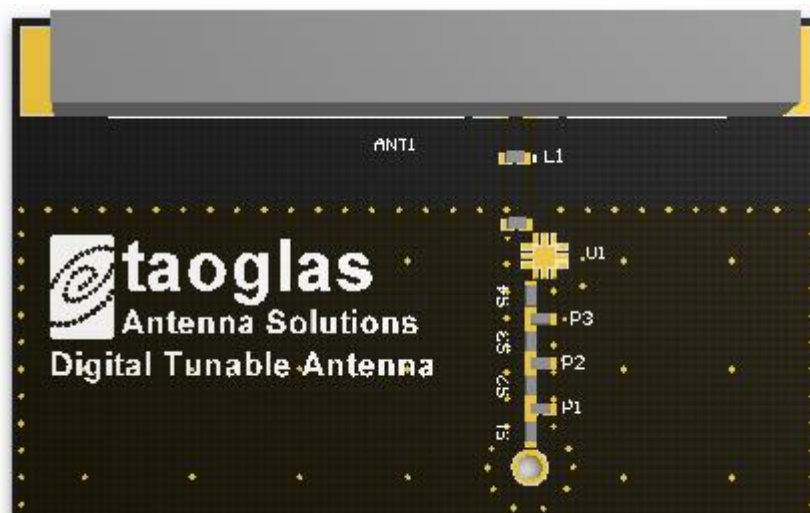


Figure 16. Lumped Component Spaces.

8. Transmission line

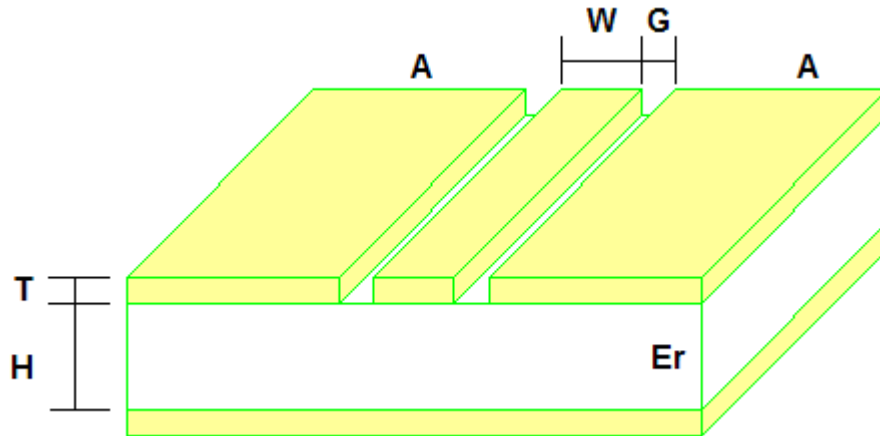


Figure 17. Co-Planar Waveguide (CPW).

Follow the below transmission line dimensions for optimal performance, other CPW (Co-Planar Waveguide) can be used as long as follows RF best practices.

Dimensions

W= 0.8 mm, **G**= 0.3 mm, **H**= 21 mils, **T**= .036 mm

Dielectric Constant

Er = 4.4

The dimension of the ground aside of the signal track (A), must be at least 3 times the width (W). For those cases where the transmission line have to be curved, bent or close to the board's edge, the 3xW relation to each side of the signal track needs to be followed.

In order to maintain the proposed Co-Planar Waveguide (CPW) design, the height from first middle layer (ground) to the top layer, must be 21 mils +/- 10%.

The computation of the above values gives an impedance of 49.83 ohms.

9. Drawings

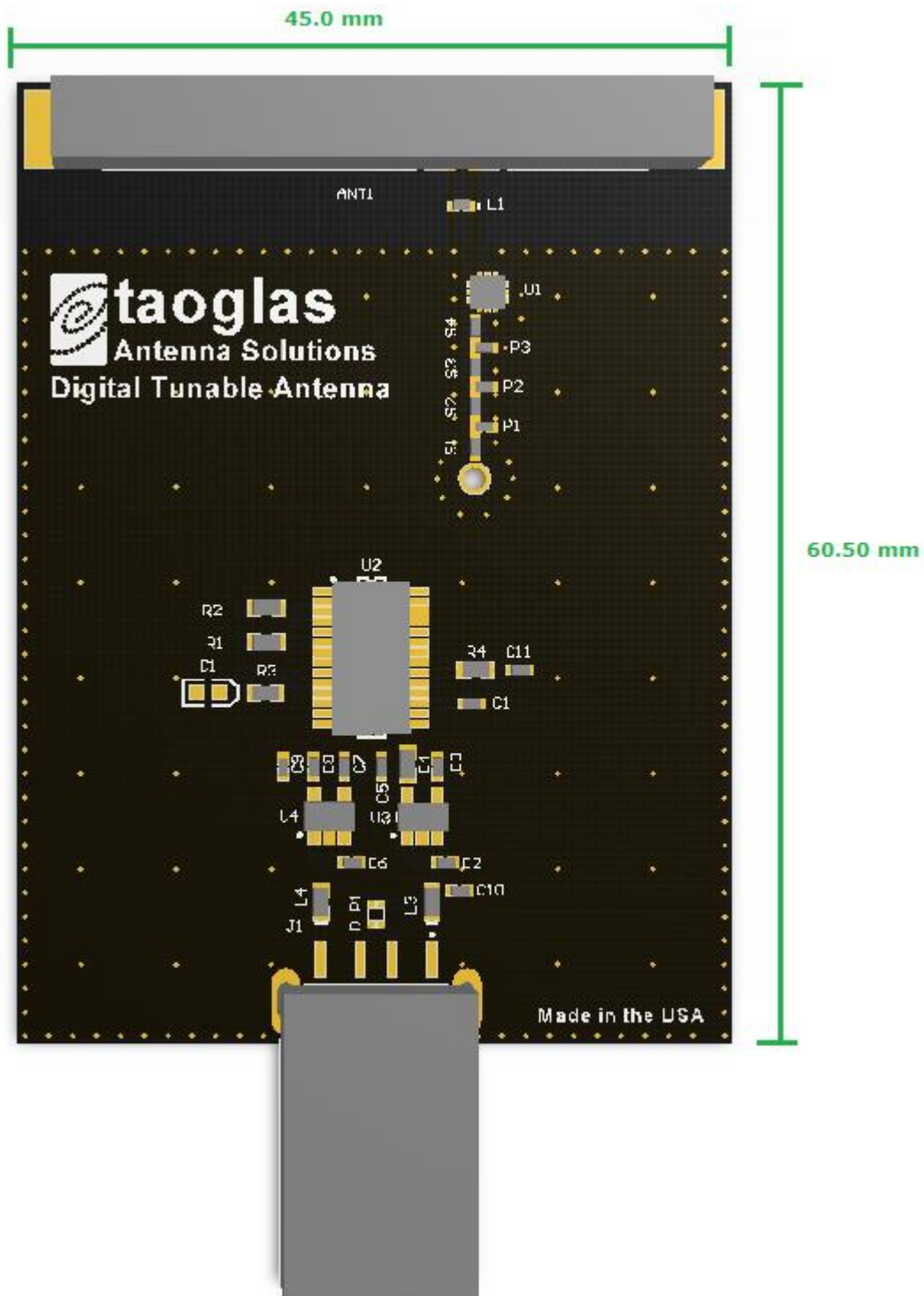


Figure 18. Board Size.

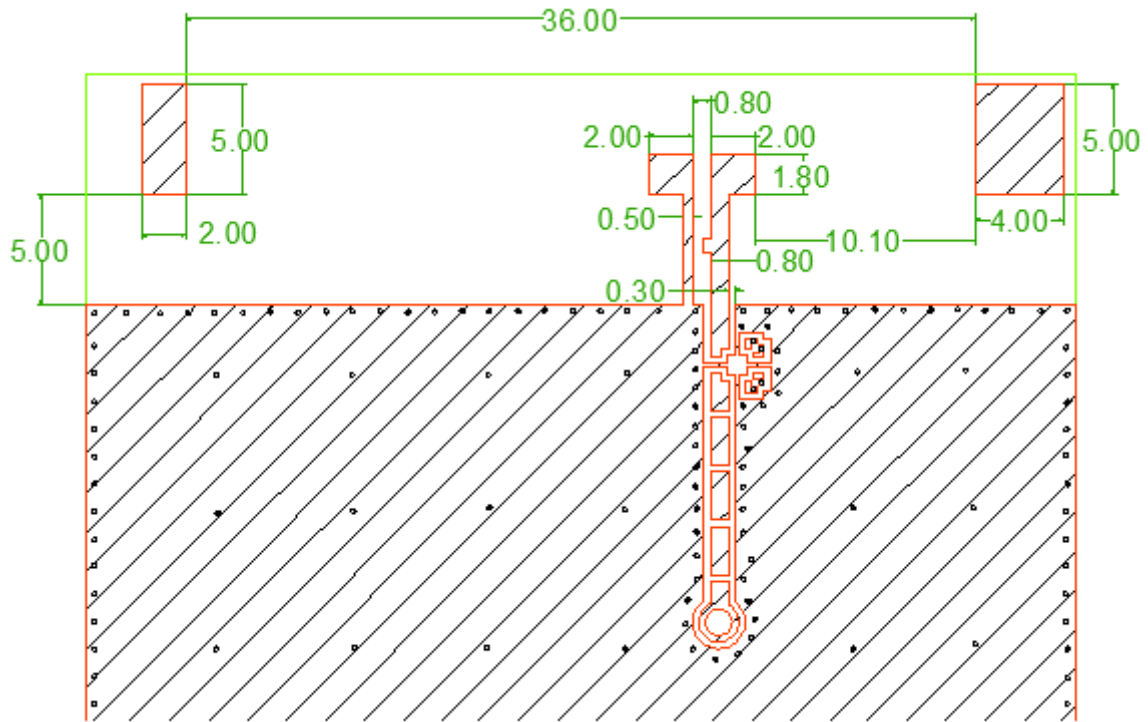


Figure 19. Antenna layout.

Top View

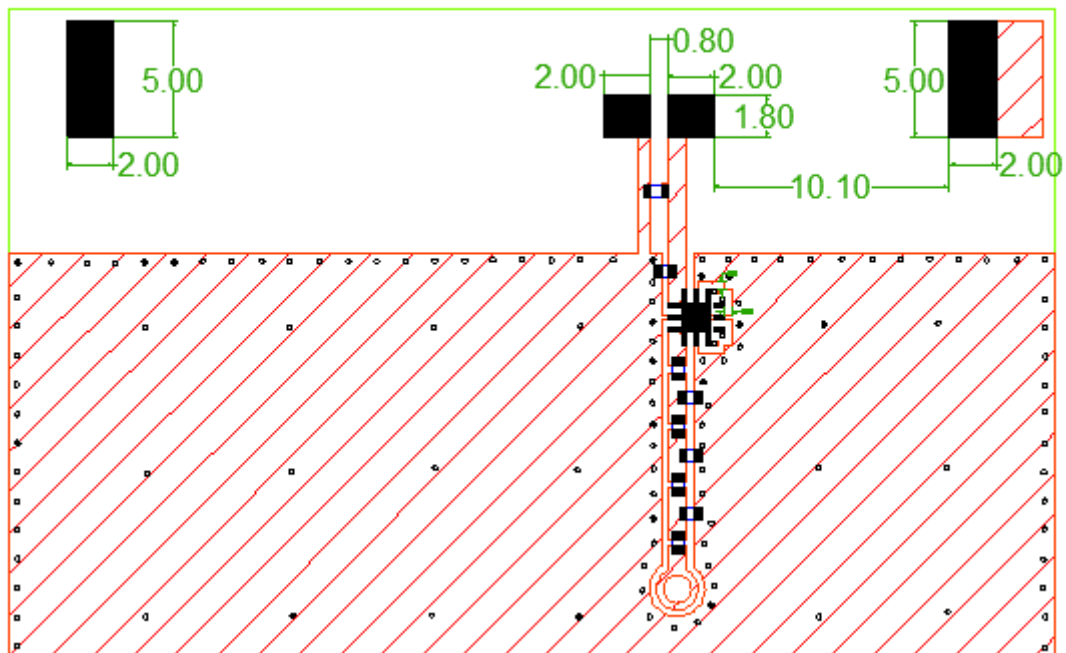


Figure 20. Solder area for the antenna.

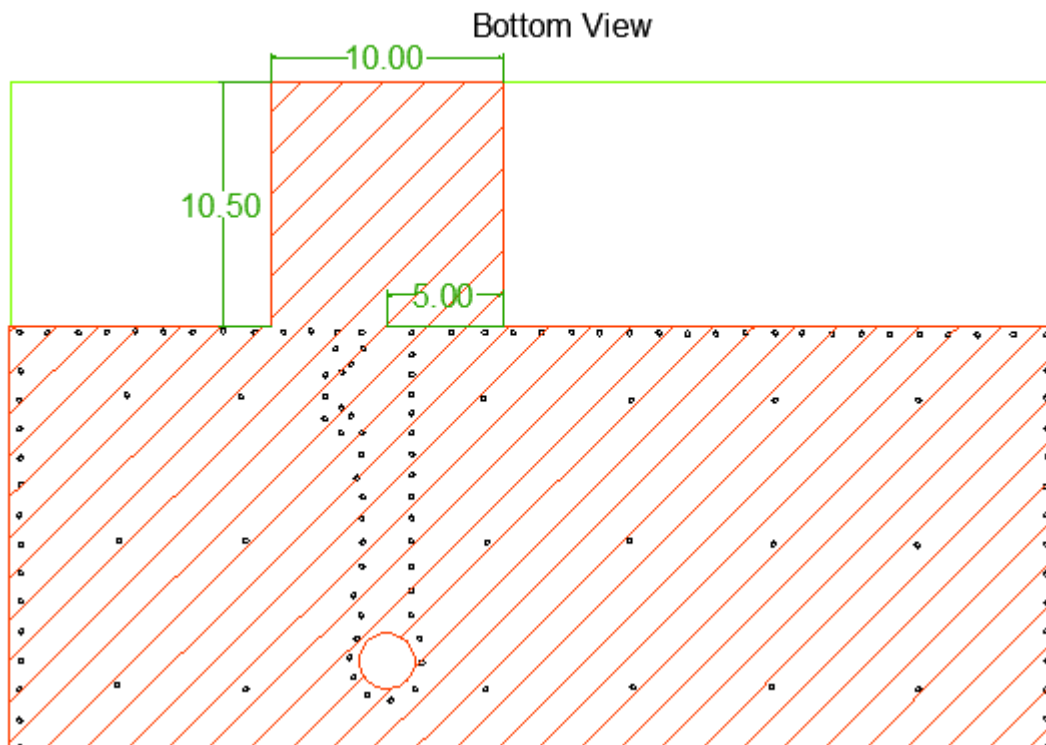


Figure 21. Bottom Layout.

At the bottom layer we need to add a portion of ground plane underneath the antenna, this portion measures 10x10.5 mm and is centered to the signal track of the transmission line at the top layers (5 mm to each side).

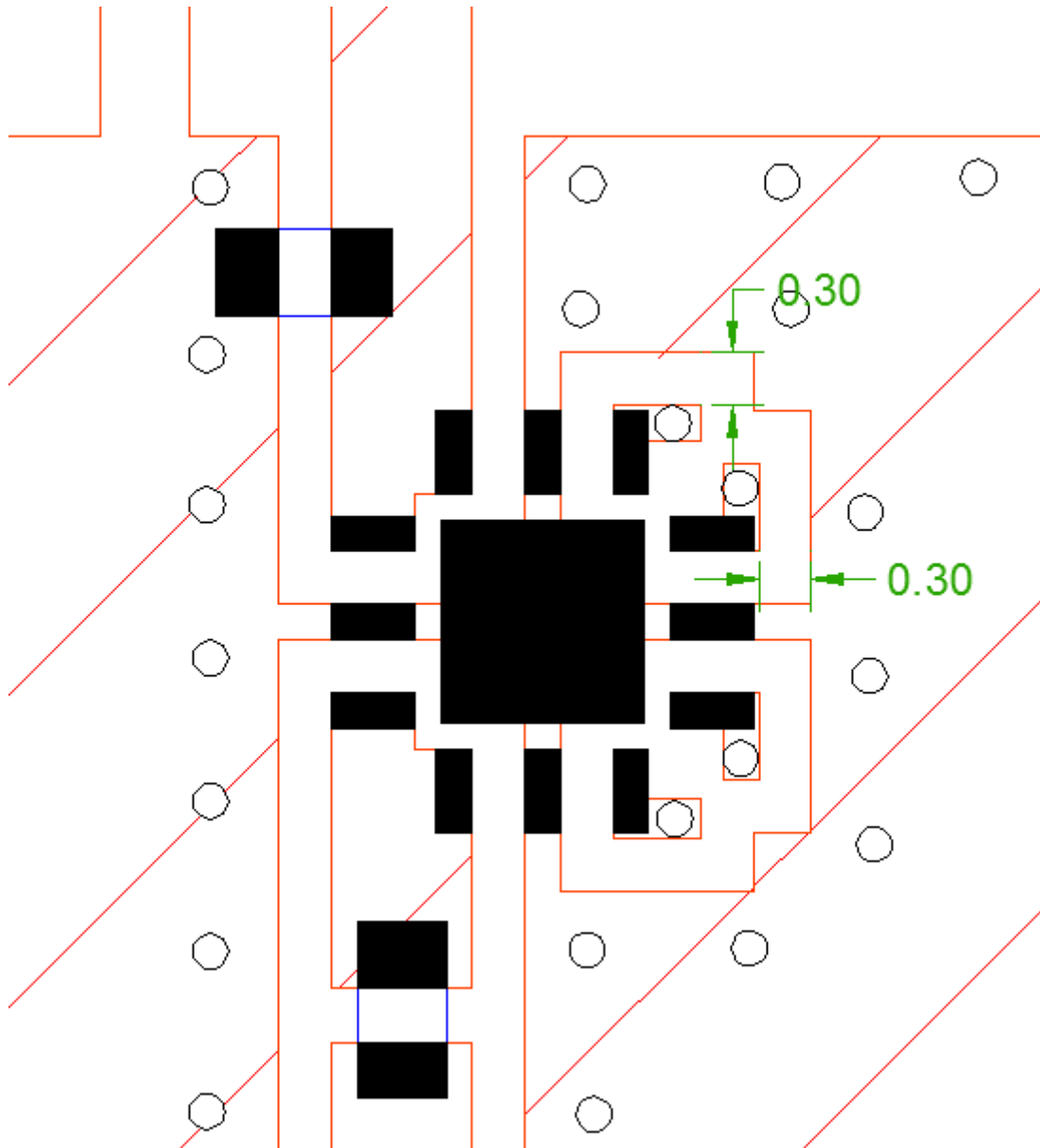


Figure 22. Recommended layout of the PE64102

For the solder pads of the PE64102 and the lumped components please check their respective specifications. We recommend 0402 size parts. (see the appendix)

10. Schematics

USB Interface
Power Supply

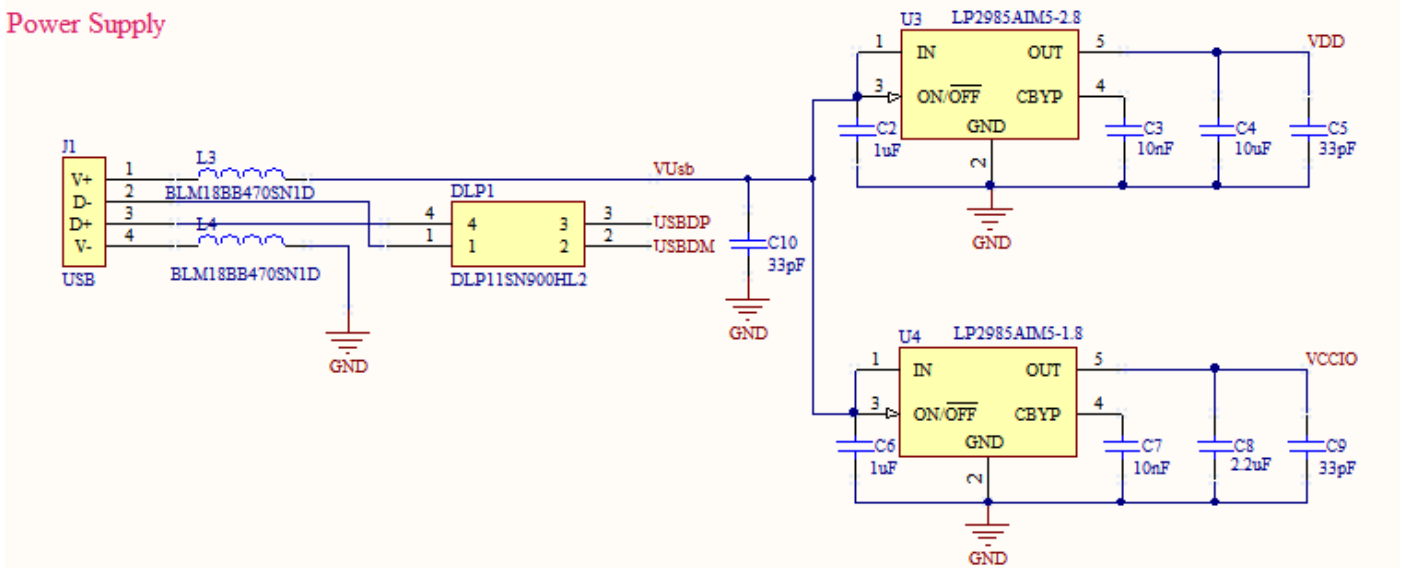


Figure 23. USB interface and power supply.

USB2SERIAL (SPI)
Converter

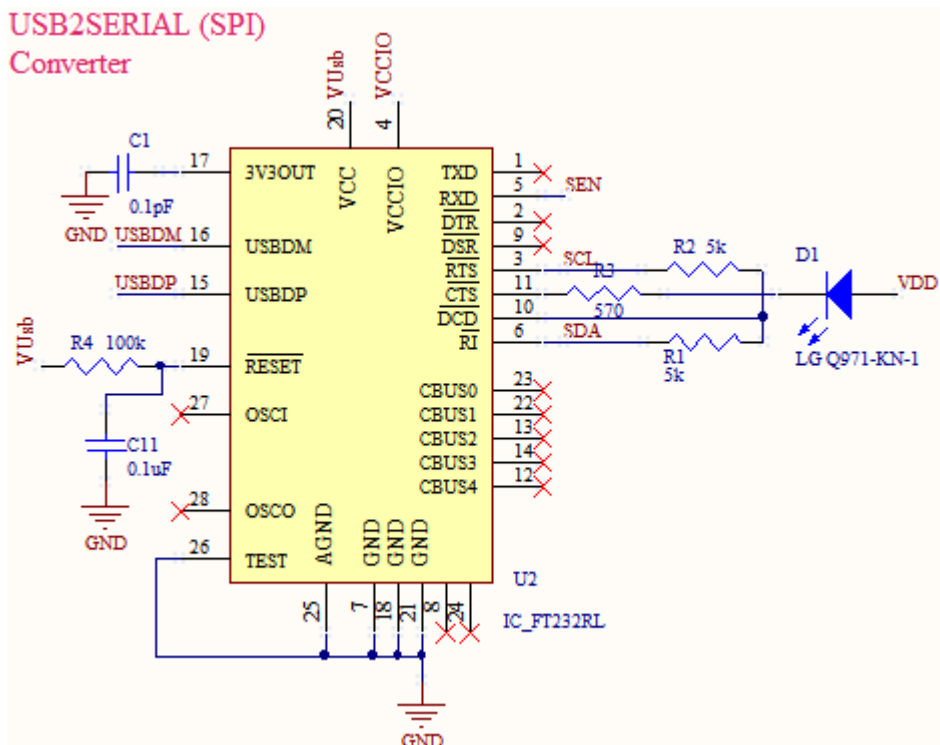


Figure 24. USB to SPI Converter.

Matching Circuit +
Peregrine + Antenna

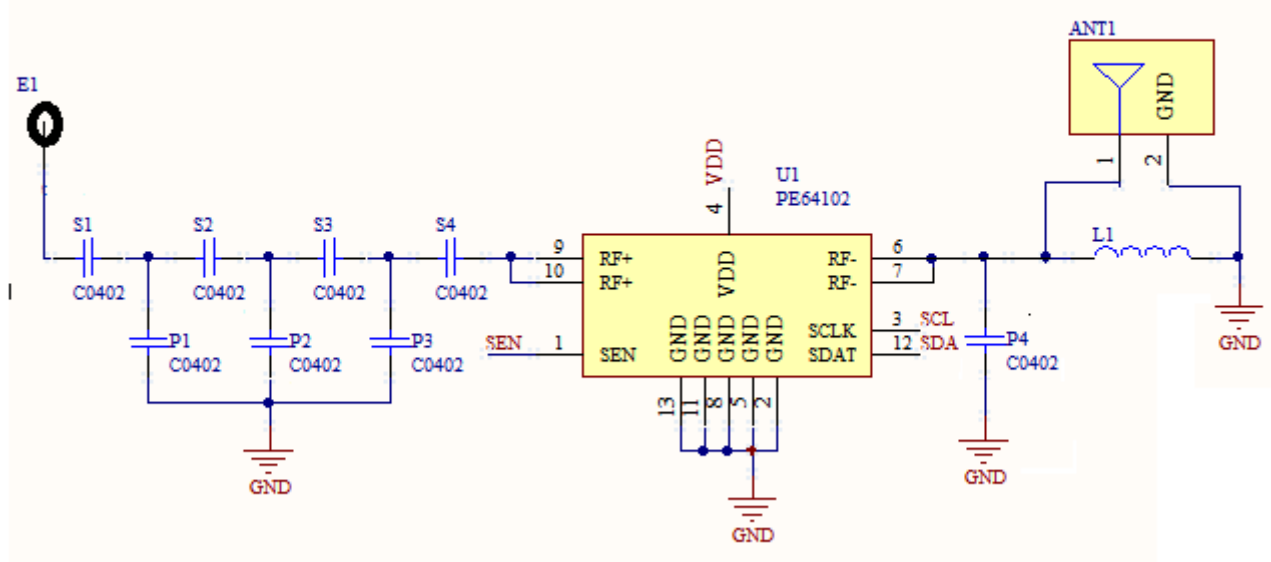


Figure 25. Matching Circuit, PE64102 and DTA01 Antenna.

11. Gerbers

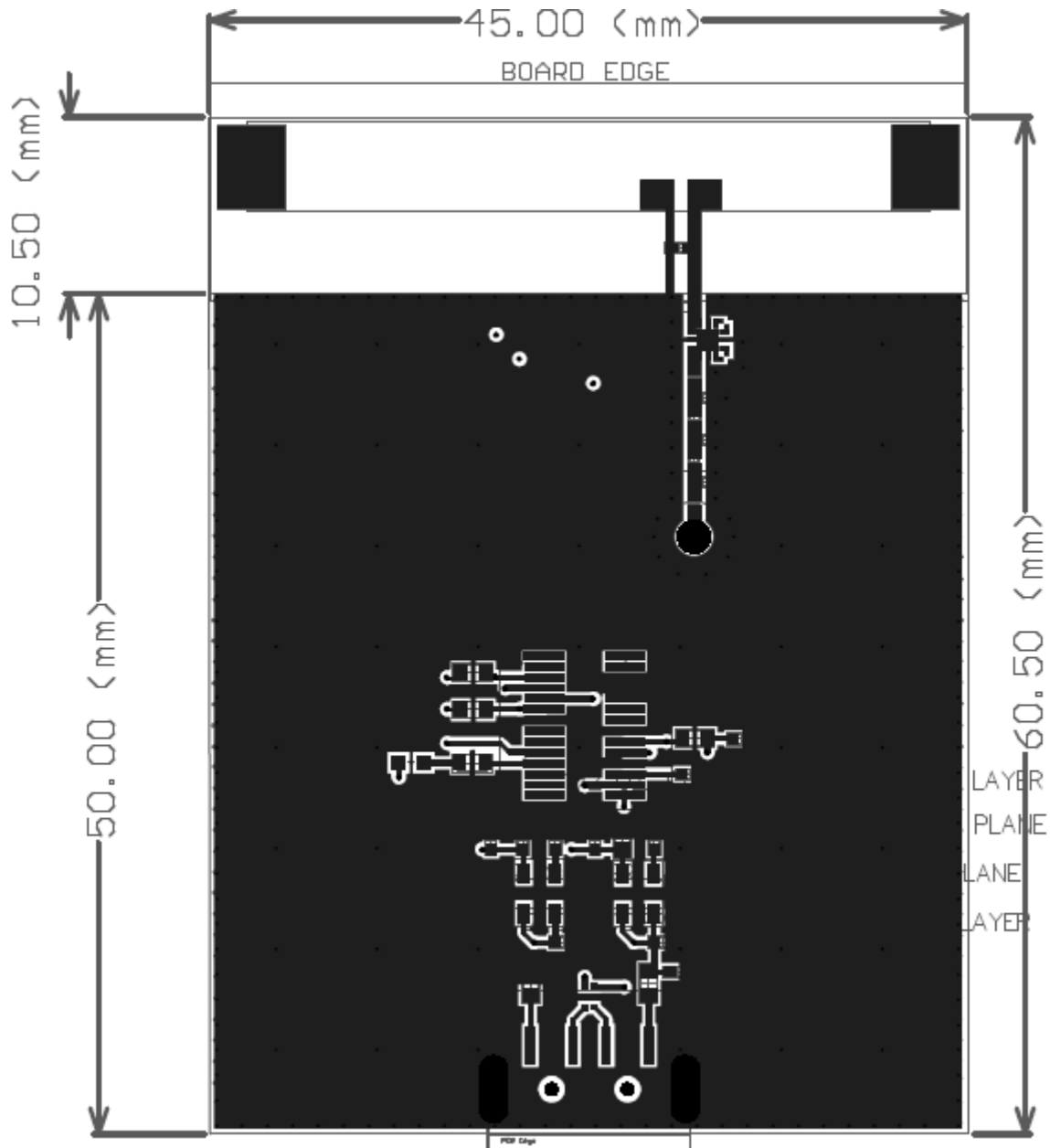


Figure 26. DTA01 Top layer (Ground-Components).

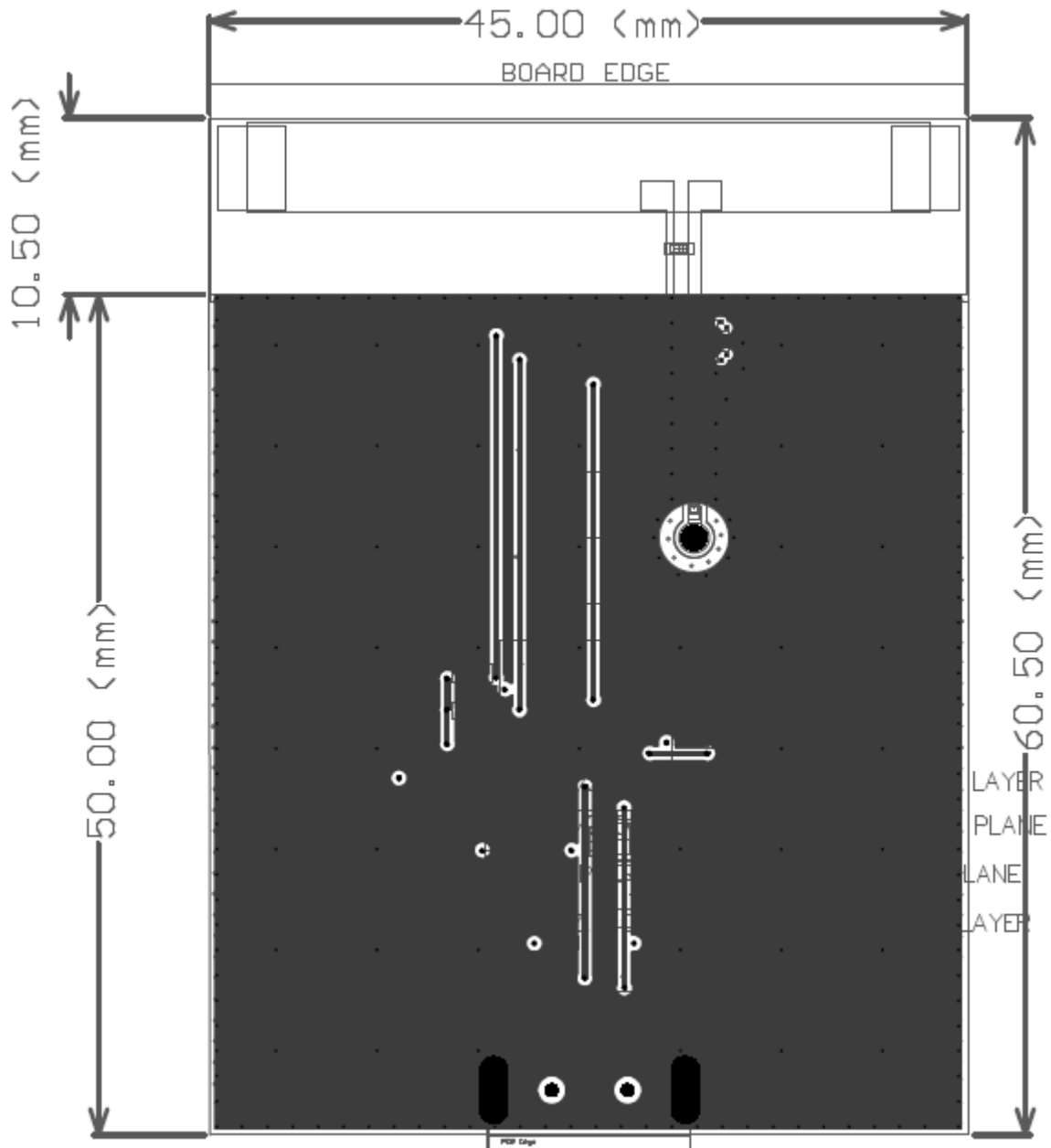


Figure 27. DTA01 First Middle layer (Ground-Signal)

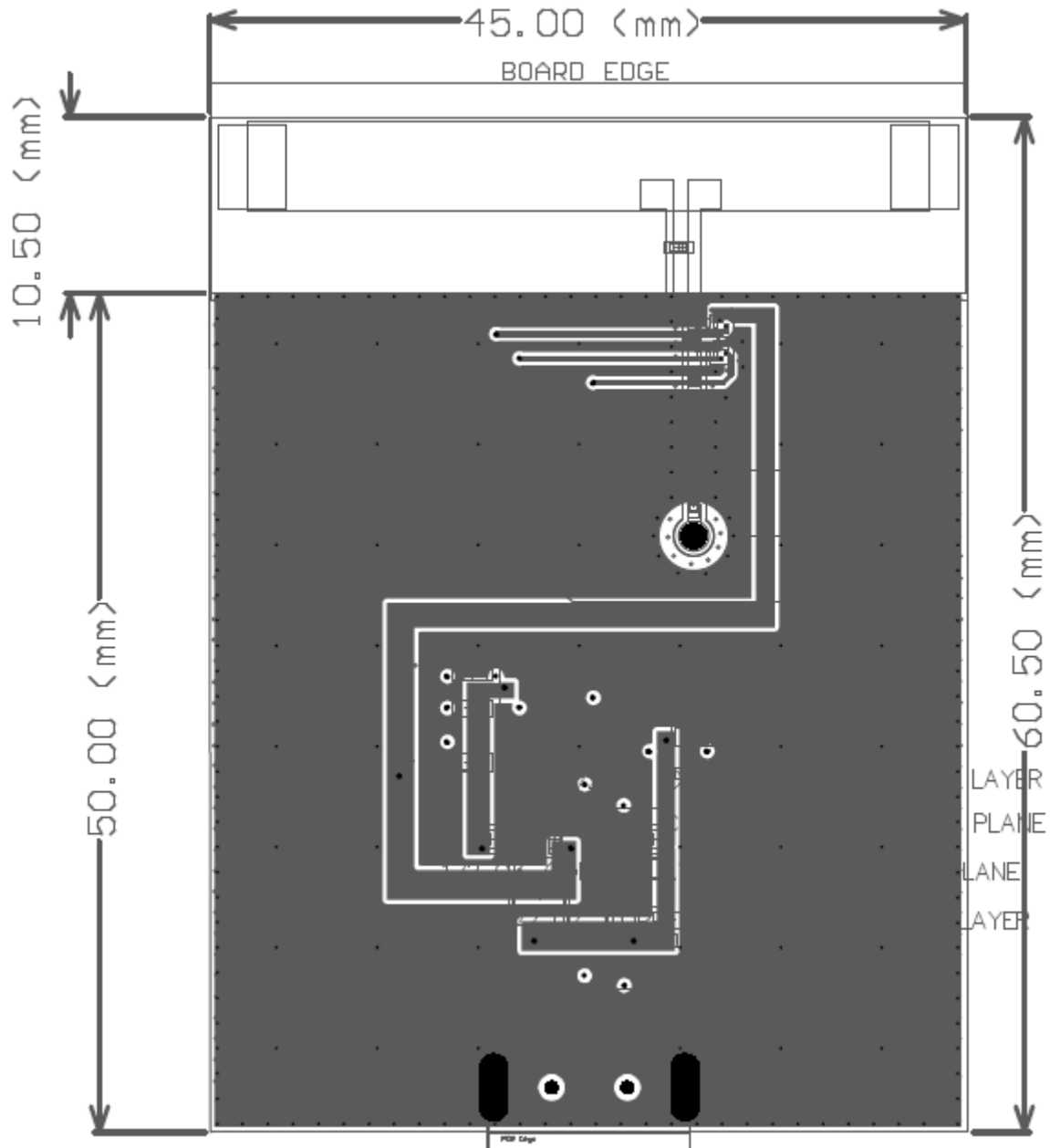


Figure 28. DTA01 Second Middle layer (Ground-Signal-Power)

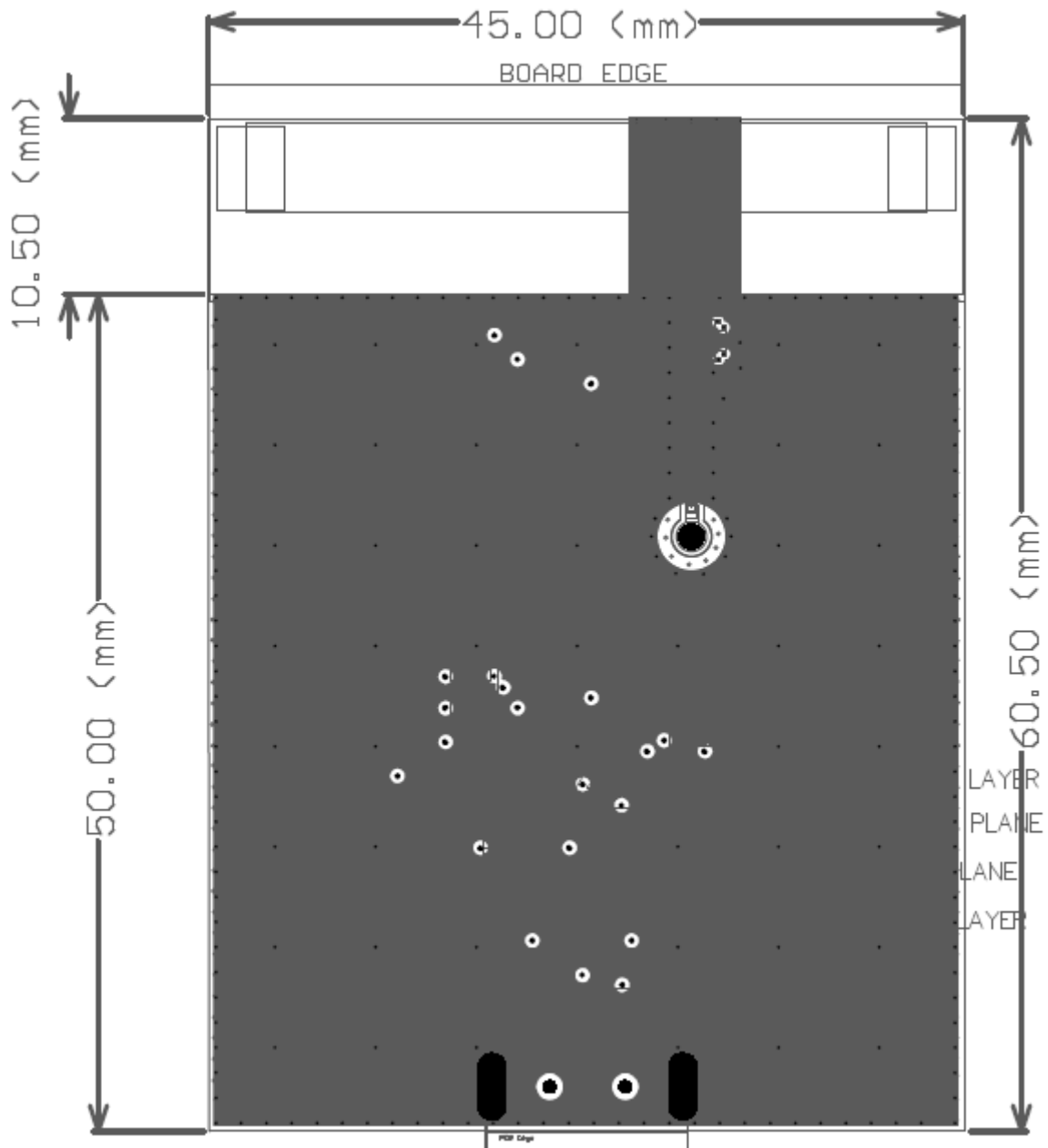


Figure 29. DTA01 Bottom layer (Ground-Components)

12. Bill of Materials

COMMENT	PATTERN	QUANTITY	COMPONENTS	PROVIDER	PROVIDER PART	MANUFACTURER	MANUFACTURER PART
						ER	
0.1pF Capacitor	0402	1	C1	Digikey	490-6259-2-ND	Murata	GRM1555C1HR10WA01D
1uF Capacitor	0402	2	C2, C6	Digikey	490-3890-1-ND	Murata	GRM155R61A105KE15D
10nF Capacitor	0402	2	C3, C7	Digikey	490-1312-1-ND	Murata	GRM155R71E103KA01D
10uF Capacitor	0603	1	C4	Digikey	490-3896-1-ND	Murata	GRM188R60J106ME47D
33pF Capacitor	0402	3	C5, C9, C10	Digikey	490-6177-1-ND	Murata	GRM1555C1E330JA01D
2.2uF Capacitor	0402	1	C8	Digikey	490-4518-1-ND	Murata	GRM155R60G225ME15D
100nF Capacitor	0402	1	C11	Digikey	490-1318-1-ND	Murata	GRM155R61A104KA01D
0 Ohm Resistor	0402	1	S1	Digikey	P0.0JCT-ND	Panasonic	ERJ-2GE0R00X
10pF Capacitor	0402	1	S2	Digikey	490-5921-1-ND	Murata	GRM1555C1H100JA01D
0.5nH Inductor	0402	2	S3, S4	Digikey	445-6306-1-ND	TDK	MLG1005S0N5C
47nH Inductor	0402	1	P1	Digikey	490-6820-1-ND	Murata	LQW15AN47NH00D
6.2nH Inductor	0402	1	P2	Digikey	490-2620-1-ND	Murata	LQG15HS6N2S02D
1pF Capacitor	0402	1	P3	Digikey	490-3083-1-ND	Murata	GJM1555C1H1R0CB01D
3.9nH Inductor	0402	1	P4	Digikey	490-2617-1-ND	Murata	LQG15HS3N9S02D
5k Resistor	0603	2	R1, R2	Digikey	RR08P4.99KDCT-ND	Susumu	RR0816P-4991-D-68H
570 Resistor	0603	1	R3	Digikey	RR08P560DCT-ND	Susumu	RR0816P-561-D
100k Resistor	0402	1	R4	Digikey	RR08P100KDCT-ND	Susumu	RR0816P-104-D
Ferrite	0603	2	L3, L4	Digikey	490-5208-1-ND	Murata	BLM18BB470SN1D
PE64102	SMT	1	U1	Digikey	1046-1066-1-ND	Peregrine	PE64102MLAA-Z
IC_FT232RL	28-SSOP	1	U2	Digikey	768-1007-1-ND	FTDI	FT232RL-REEL
LP2985AIM5-2.8	SOT-23-5	1	U3	Digikey	LP2985AIM5-2.8/NOPBCT-ND	TI	LP2985AIM5-2.8/NOPB
LP2985AIM5-1.8	SOT-23-5	1	U4	Digikey	LP2985AIM5-1.8/NOPBCT-ND	TI	LP2985AIM5-1.8/NOPB
LG Q971-KN-1	0603	1	D1	Digikey	475-1409-1-ND	OSRAM	LG Q971-KN-1
DLP11SN900HL2L	0504	1	DLP1	Mouser	DLP11SN900HL2L	Murata	81-DLP11SN900HL2L
PA710.A	SMT	1	Ant1	Digikey	PA.720.A	Taoglas	PA.720.A
SMA female	Flange	1	Con1	Digikey	931-1179-ND	Taoglas	PCB.SMAFST.2H.B.HT
USB A SINGLE SMT	USB/SM 2.5-4H4	1	USB/CONN	Mouser	855-M701-280442	Harwin	M701-280442