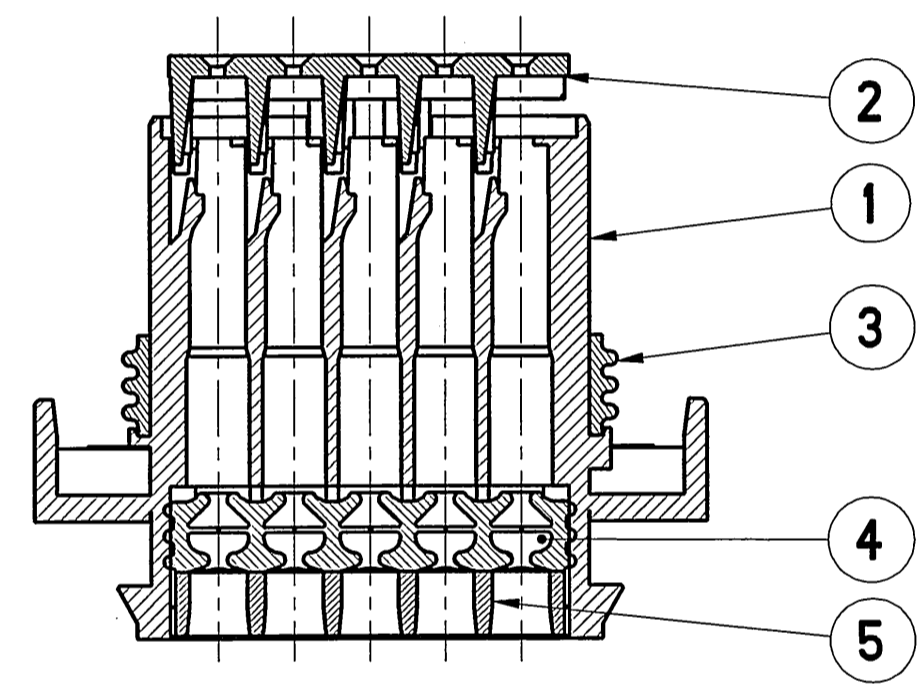
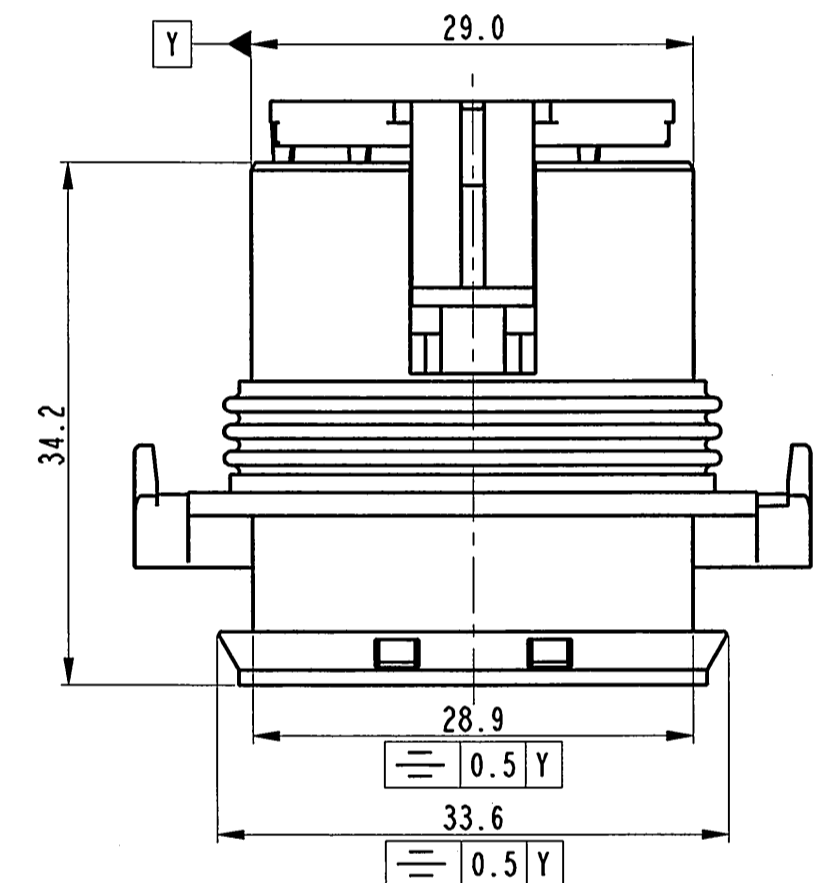
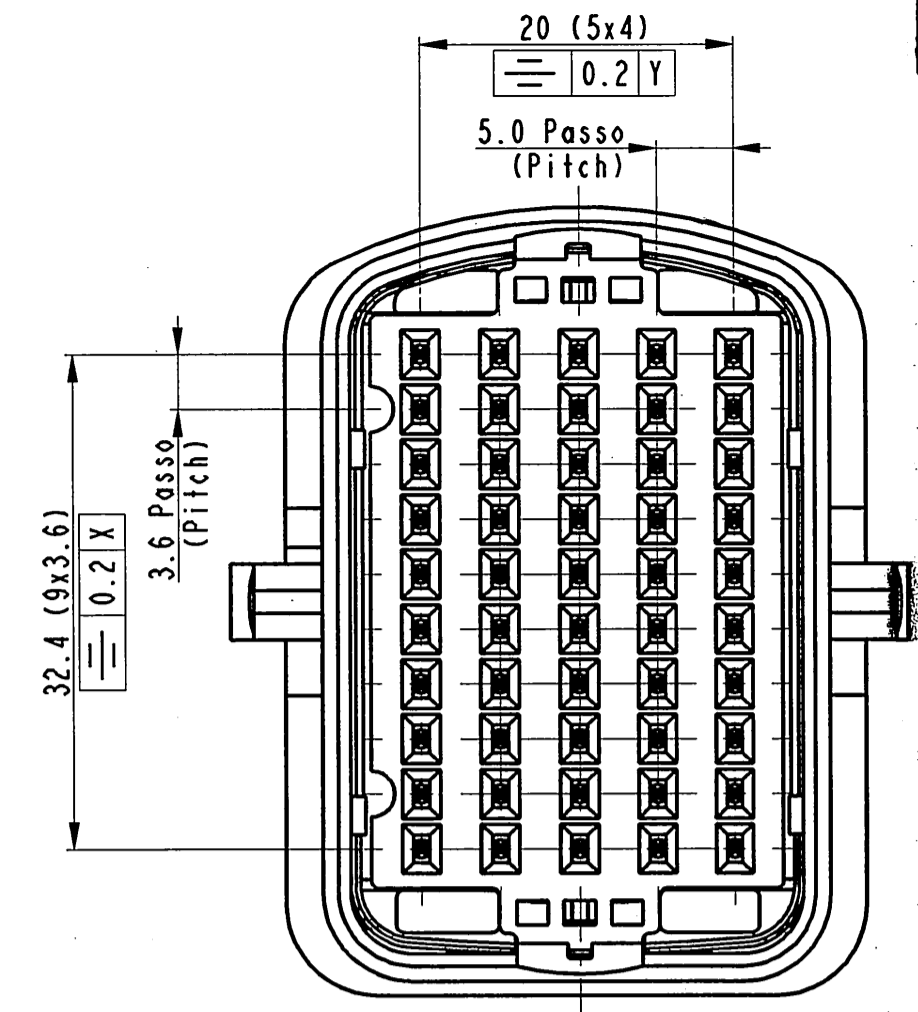
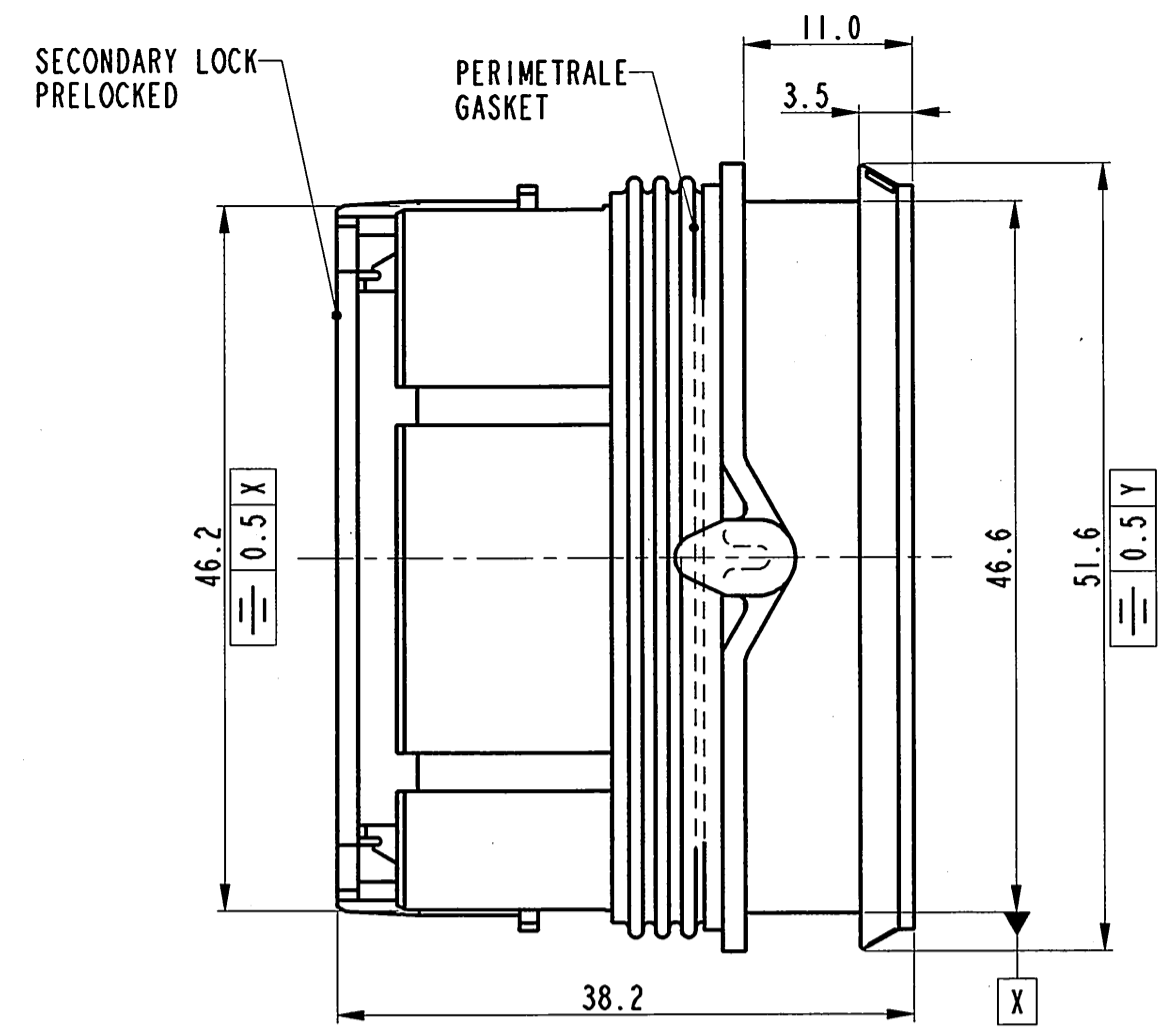
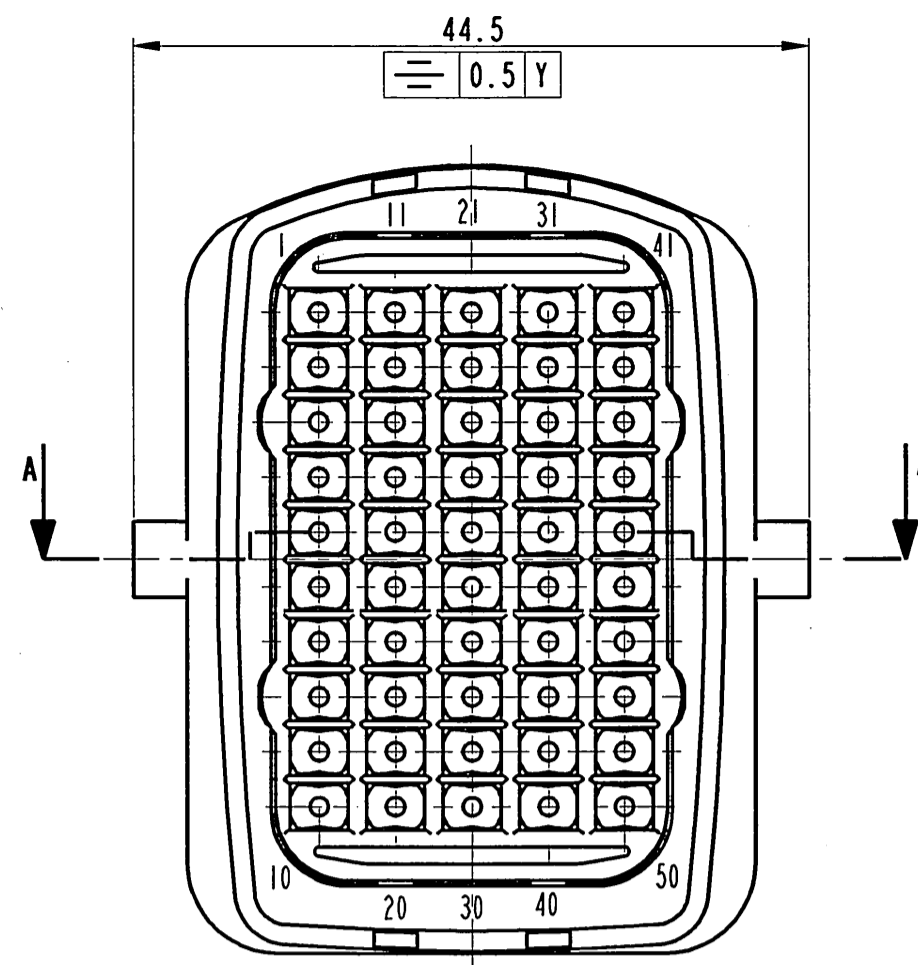


**STRICTLY CONFIDENTIAL**



CAVITY SUITABLE FOR TERMINAL SICMA - 1.5mm  
 (CAVITA' ADATTE PER TERMINALI SICMA - 1.5mm)

SICMA-2  
 P/N 211CC2S1120 FOR SECTION WIRE 0.5 - 0.75mm<sup>2</sup>  
 (PER SEZ. CAVO 0.5 - 0.75mm<sup>2</sup>)

P/N 211CC2S2120 FOR SECTION WIRE 1.0 - 1.5mm<sup>2</sup>  
 (PER SEZ. CAVO 1.0 - 1.5mm<sup>2</sup>)

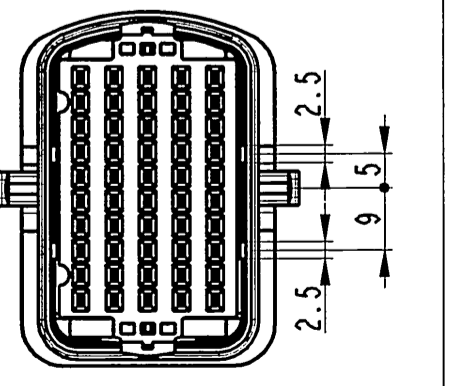
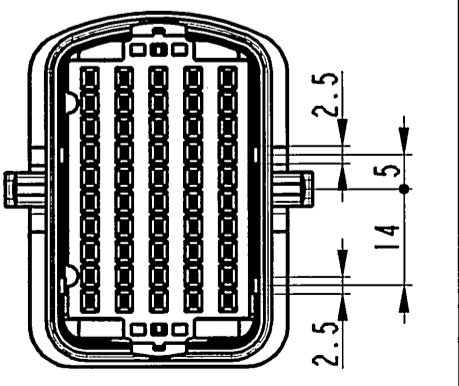
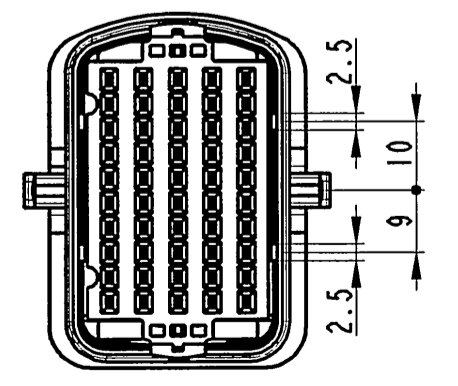
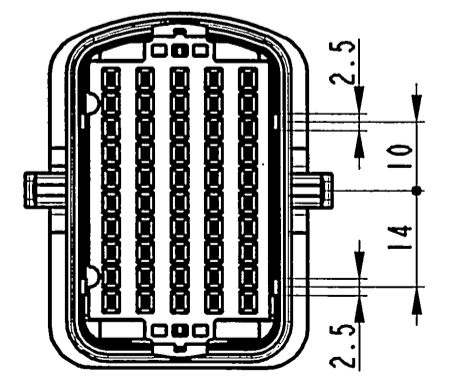
SICMA-3  
 P/N 211CC2S1150/60 FOR SECTION WIRE 0.5 - 0.75mm<sup>2</sup>  
 (PER SEZ. CAVO 0.5 - 0.75mm<sup>2</sup>)

P/N 211CC2S2150/60 FOR SECTION WIRE 1.0 - 1.5mm<sup>2</sup>  
 (PER SEZ. CAVO 1.0 - 1.5mm<sup>2</sup>)

SICMA-3 PLUS  
 P/N 211CC2S1150P/60P FOR SECTION WIRE 0.5 - 0.75mm<sup>2</sup>  
 (PER SEZ. CAVO 0.5 - 0.75mm<sup>2</sup>)

P/N 211CC2S2150P/60P FOR SECTION WIRE 1.0 - 1.5mm<sup>2</sup>  
 (PER SEZ. CAVO 1.0 - 1.5mm<sup>2</sup>)

POS.	DENOMINAZIONE	MATERIAL/COLOUR	POS.	DENOMINAZIONE	MATERIAL/COLOUR	POS.	DENOMINAZIONE	MATERIAL/COLOUR	POS.	DENOMINAZIONE	MATERIAL/COLOUR
5	PREMI GROMMET	PBT-BLACK	5	PREMI GROMMET	PBT-BLACK	5	PREMI GROMMET	PBT-BLACK	5	PREMI GROMMET	PBT-BLACK
4	GROMMET	RES. SILICONICA NATURAL	4	GROMMET	RES. SILICONICA NATURAL	4	GROMMET	RES. SILICONICA NATURAL	4	GROMMET	RES. SILICONICA NATURAL
3	PERIMETRALE GASKET	RES. SILICONICA NATURAL	3	PERIMETRALE GASKET	RES. SILICONICA NATURAL	3	PERIMETRALE GASKET	RES. SILICONICA NATURAL	3	PERIMETRALE GASKET	RES. SILICONICA NATURAL
2	SECONDARY LOCK	PBT-RED	2	SECONDARY LOCK	PBT-RED	2	SECONDARY LOCK	PBT-RED	2	SECONDARY LOCK	PBT-RED
1	CONNETTORE PORTA FEMMINE	PBT-BLACK	1	CONNETTORE PORTA FEMMINE	PBT-NATURAL	1	CONNETTORE PORTA FEMMINE	PBT-BLUE	1	CONNETTORE PORTA FEMMINE	PBT-BROWN



DTB50GMFH (BLACK) DTB50GMFH-01 (NATURAL) DTB50GMFH-02 (BLUE similar to RAL 5012) DTB50GMFH-03 (BROWN similar to RAL 8011)

- KEYS TABLE - (CATALOG Nbr.-KEY- COLOUR)

ECN-NO.	DATE	DD / MM / YY	REVISION	POSITION	CHANGE DESCRIPTION	DRAWN BY	CHK. BY	APPR. BY
24-09	07/07/2009		04	G10	Added cavity number in view No mold revision necessary			
65/07	18/09/07		03		Updated peripheral gasket material and title box	FP		TC
36/05	29/06/05		02		Updated drawing and added notes	FP		TC
-	9.12.'04		01		Changed format. Added P/Nbrs ...-01; ...-02; ...-03 E.Cini			M.C.

PRODUCT SPEC.	PACKAGING SPEC.	APPLICATION SPEC.	TOLERANCES	MATERIAL	SURFACE FINISH	CAD SYSTEM
IPS 300	DTB50GMXX	IPS 302	±0.3mm / ±1.0°	SEE TABLE	FINITURA SUPERFICIALE	pro / eng.
DO NOT SCALE DRAWING			COLOUR: SEE TABLE		LOC. CODE: IT	DWG SITE FORMATO: A2
DRAWN BY: 09.12.04 E.CINI			TITLE: CONN. PORTAFEMMINE PASSAPARETE 50 VIE SEAL		DRAWING NUMBER: FSD 307717	SHEET: 1/1
APPROVED BY: 09.12.04 M.COLOMBO			FILE NAME: fsd307717-1.1-03		SCALE: 2:1	