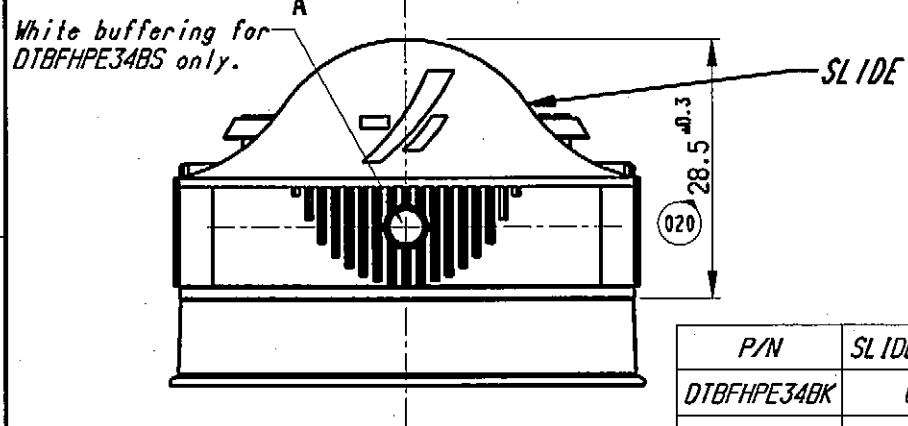
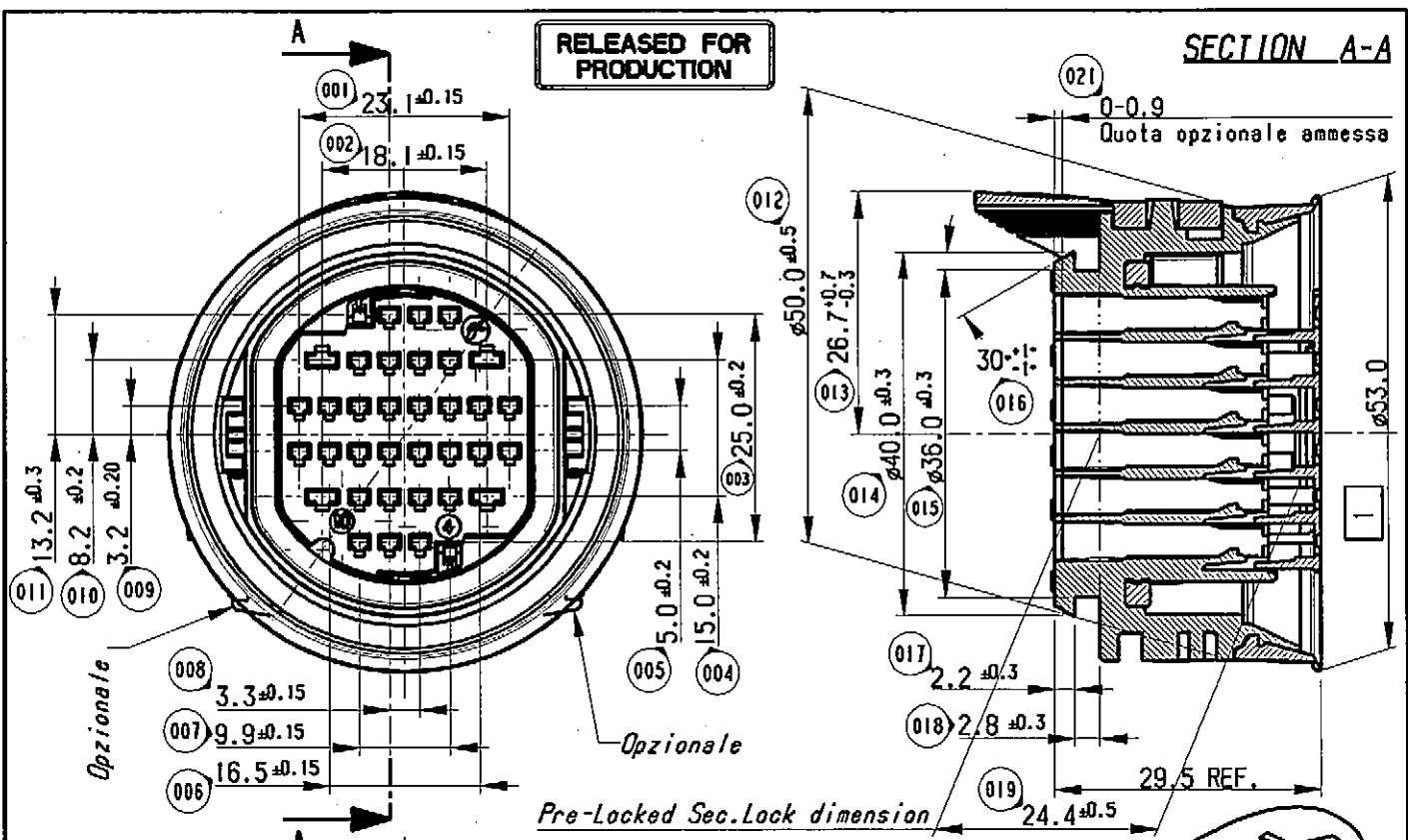
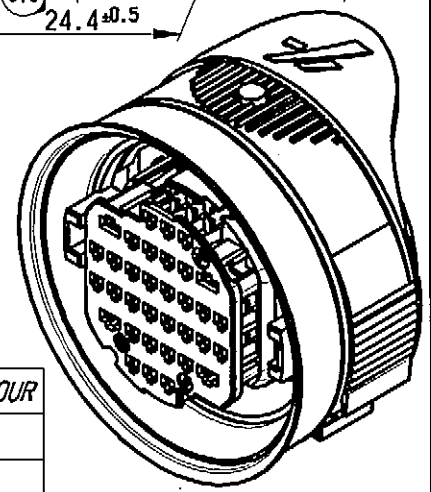


RELEASED FOR PRODUCTION

SECTION A-A



P/N	SLIDE COLOUR
DTBFHPE34BK	GREY
DTBFHPE34BS	BLACK



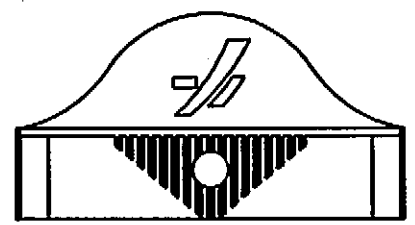
NOTE 1:

- The connector is designed for the female contacts : Sicma 2/3 1.5 x 0.8 mm.
Sicma 2 2.8 x 0.8 mm.
- External gasket maximum clearance after mating male and female holder.

NOTE 2:

- Completed by the contacts it can be mated with the relative male holder 34 ways : DTBMHPE34BKXXXX
DTBMHPE34DGXXXX
- For use and mating operation : see spec. IPS 160
- The connector can be supplied with different slides. (View "X" shows the alternative configuration)

View "X"
Scale 1:1



SHEET
1 OF 2

FSA 309026

Description : DOOR TO BODY 34 WAYS ASSY FEMALE HOLDER		Cat. No : SEE TABLE	
Draft <i>F. Green</i> <i>vo</i>	This is our exclusive property. It is not to be copied, reprinted or disclosed to a third party, nor used for manufacturing, without our written consent, and has to be returned to us in case of no usage.	European projection	 FCI FRAMATOME CONNECTORS INTERNATIONAL Framatome connectors Italia S.p.A.
Date 10/11/03			
We reserve the right to change dimensions or requirements without prior notice.		FSA 309026 customer drawing	
		Rev. 09	