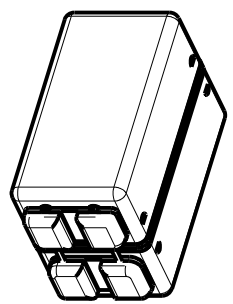
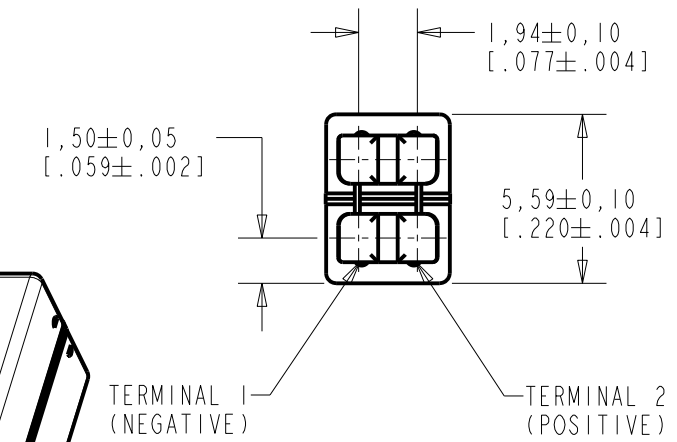
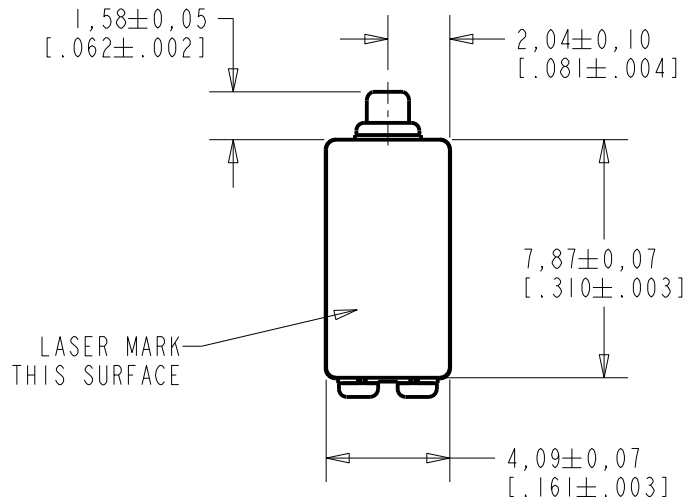


DTEC-30008-000
SHT 1.1



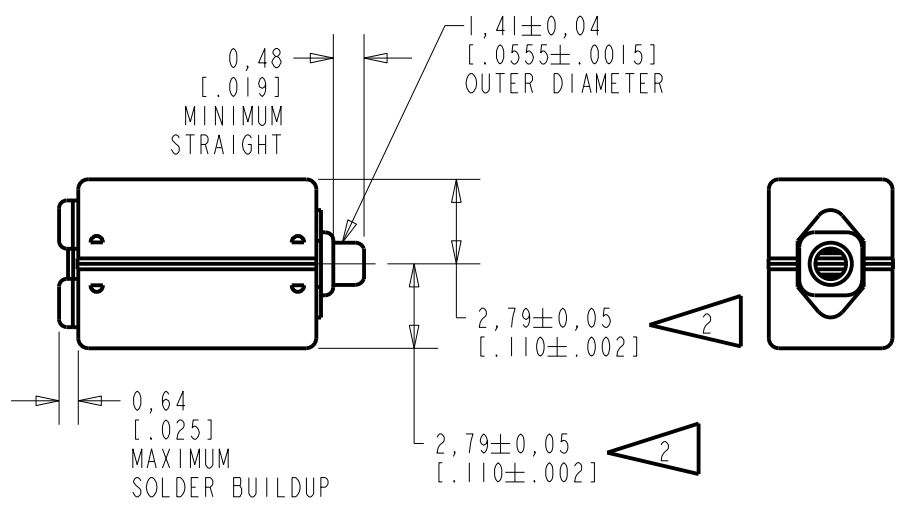
NOMINAL WEIGHT
.71 GRAMS

DIMENSIONS IN MILLIMETERS [INCHES]

NOTES:

1. A POSITIVE GOING VOLTAGE AT TERMINAL 2, RELATIVE TO TERMINAL 1, CAUSES A DECREASE IN PRESSURE AT THE SOUND OUTLET.

2. LOCATED FROM TWO SURFACES FOR CUSTOMER CONVENIENCE. ONLY APPLICABLE FROM ONE SURFACE, NOT TO BE USED TOGETHER. HORIZONTAL LOCATION FOR TERMINAL CENTERED TO $\pm 0,17$ [.007].



| Revision | C.O. # | Implementation Date | RELEASE LEVEL | REVISION |
|----------|-----------|---------------------|---------------|----------|
| F | C10111230 | 5-13-10 | Active | F |
| D | C10107030 | 3-5-10 | | |
| | | | | |

| | | |
|------------------------------------|---------------------------|--------------|
| SCALE: 4:1 | DR. BY: SDZ | DATE: 3-5-10 |
| DO NOT SCALE DRAWING | CK. BY: GJP | DATE: 7-5-06 |
| TITLE: RECEIVER OUTLINE DRAWING | DTEC-30008-000 SHT 1.1 | |
| | APP. BY: GJP | DATE: 7-5-06 |

KNOWLES ELECTRONICS
ITASCA, ILLINOIS U.S.A.

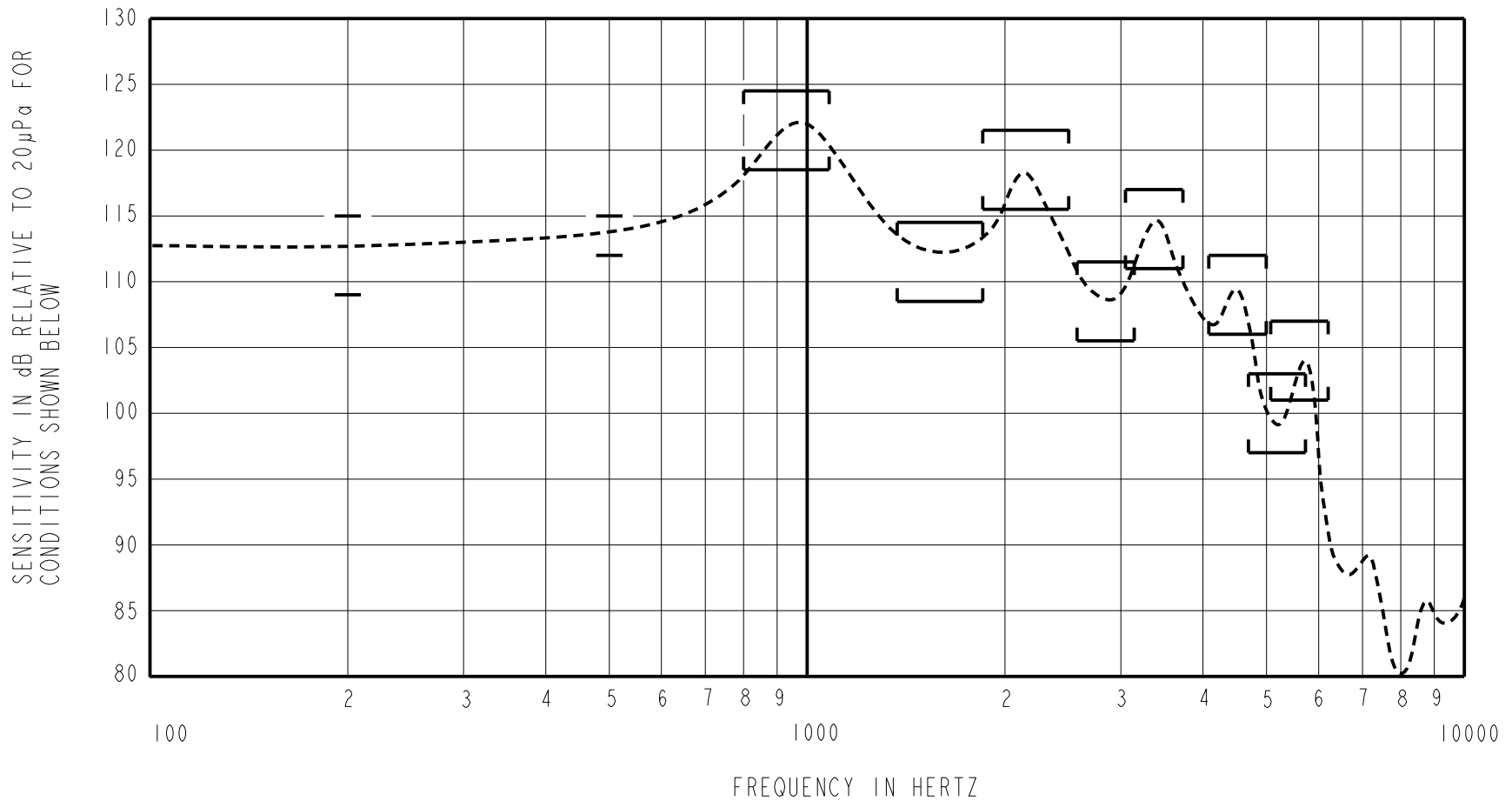
THE DTEC-30008-000 IS A PAIR OF BALANCED ARMATURE RECEIVERS INTENDED FOR USE IN BTE HEARING AIDS, AND IS THE SAME SIZE AS AN EF RECEIVER.

NO DAMPING

DTEC-30008-000
SHEET 2.1

NOTE: SPECIFICATIONS FOLLOWED BY AN ASTERISK (*) ARE 100% TESTED.

CONSTANT VOLTAGE DRIVE CONDITIONS



ACOUSTICAL

SENSITIVITY*
DEVICE WILL PRODUCE THE SPL LISTED BELOW UNDER TEST CONDITIONS DESCRIBED IN TABLE 3. NOMINAL SENSITIVITY AT 500 Hz IS dB RELATIVE TO 20µPa. ALL OTHER VALUES IN dB RELATIVE TO THE SENSITIVITY AT 500 Hz.

| FREQUENCY (Hz) | MINIMUM | NOMINAL | MAXIMUM |
|----------------|---------|---------|---------|
| 200 | -4.5 | -1.5 | +1.5 |
| 500 | -1.5 | 113.5 | +1.5 |
| 800-1080 | +5.0 | +8.0 | +11.0 |
| 1370-1850 | -5.0 | -2.0 | +1.0 |
| 1850-2500 | +2.0 | +5.0 | +8.0 |
| 2575-3145 | -8.0 | -5.0 | -2.0 |
| 3050-3730 | -2.5 | +0.5 | +3.5 |
| 4085-4995 | -7.5 | -4.5 | -1.5 |
| 4690-5730 | -16.5 | -13.5 | -10.5 |
| 5075-6205 | -12.5 | -9.5 | -6.5 |

TABLE 1

TOTAL HARMONIC DISTORTION*
DEVICE WILL NOT EXCEED TOTAL HARMONIC DISTORTION LEVELS LISTED BELOW.

| FREQUENCY (Hz) | AC DRIVE (V rms) | DC BIAS (mA) | LIMIT (%) |
|----------------|------------------|--------------|-----------|
| 315 | 0.154 | 0 | 5 |
| 470 | 0.154 | 0 | 5 |
| 470 | 0.308 | 0 | 10 |

TABLE 2

TEST CONDITIONS

| | |
|------------------------|---|
| NOMINAL SOURCE VOLTAGE | 0.154 V rms, TO DELIVER 0.70 mVA AT 500 Hz |
| SOURCE IMPEDANCE | <1 Ohm |
| TUBING | 8mm X 1mm ID + 28mm X 1.5mm ID EAR HOOK SIMULATOR + 25mm X 2mm ID TUBE + 18mm X 3mm ID TUBE |
| COUPLER CAVITY | 2 cm ³ , SIMULATED ANSI S3.7 TYPE HA-3 (IEC 60318-5) |

TABLE 3

ELECTRICAL

| | |
|----------------------|-------------------|
| DC RESISTANCE | 23.0 OHMS ± 10% * |
| IMPEDANCE @ 500 Hz | 31.5 OHMS ± 15% * |
| INDUCTANCE @ 500 Hz | 5.1 mH TYPICAL |
| CAPACITANCE @ 10 MHz | 18 pF TYPICAL |

TABLE 4

ISOLATION: CASE WILL BE ELECTRICALLY ISOLATED FROM THE COIL CIRCUIT.*

MECHANICAL

PORT LOCATION: 12S

SOLDER TYPE: SAC305

TEMPERATURE

OPERATING: SENSITIVITY WILL NOT VARY MORE THAN +1/-3 dB FROM -17°C TO 63°C

STORAGE: -40°C TO 63°C

KNOWLES ELECTRONICS
ITASCA, ILLINOIS U.S.A.

| Revision | C.O. # | Implementation Date | RELEASE LEVEL | REVISION |
|--|-----------|---------------------|----------------|----------|
| F | C10111230 | 5-13-10 | Active | F |
| D | C10107030 | 3-5-10 | | |
| | | | | |
| WHEN TEST LIMITS ARE USED TO ESTABLISH INCOMING INSPECTION ACCEPTANCE/REJECTION CRITERIA, CORRELATION OF TEST EQUIPMENT WITH KNOWLES IS ALSO REQUIRED FOR ELIMINATION OF EQUIPMENT AND TEST METHOD VARIATION | | | DR. BY | DATE |
| TITLE: RECEIVER PERFORMANCE SPECIFICATION | | | SDZ | 3-5-10 |
| | | | DTEC-30008-000 | |
| | | | GJP | 7-5-06 |
| | | | APP. BY | DATE |
| | | | GJP | 7-5-06 |
| | | | SHT 2.1 | |