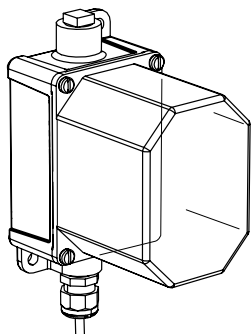


# SureCross DX81P6 FlexPower Supply Module



## Datasheet



- Wireless solution for powering a FlexPower Node and sensor device
- Unique power management system to run the FlexPower Node and a device through switched power outputs for up to 5 years, depending upon the power requirements of the device
- Six 3.6 V dc lithium "D" cell batteries
- IP67 sealed enclosure

FlexPower systems allow for a true wireless solution as the Node can be powered by battery power (3.6 to 5.5 V dc). Battery life is application specific. Contact Banner Engineering's application engineers for a battery life calculation for your specific application.

For additional information, updated documentation, and accessories, refer to Banner Engineering's website, [www.bannerengineering.com/surecross](http://www.bannerengineering.com/surecross).

Model	Power	Batteries	Cable
DX81P6	3.6 V dc battery	Six 3.6 V Lithium "D" Cells	5-pin Euro pigtail QD

## Specifications

**Estimated Battery Life**  
114,000 mA-hours

### Housing

Polycarbonate housing and rotary dial cover; polyester labels; EDPM rubber cover gasket; nitrile rubber, non-sulphur cured button covers  
 Weight: 0.98 kg (2.15 lbs)  
 Mounting: 1/4-inch or M7 (SS M7 hardware included)  
 Max. Tightening Torque: 0.56 N·m (5 lbf·in)

### Wiring Access

One 1/2-inch NPT with 5-pin Euro-style 150 mm pigtail QD

Operating the devices at the maximum operating conditions for extended periods can shorten the life of the device.

### Environmental Rating

IEC IP67; NEMA 6; (See UL section below for any applicable UL specifications)

### Operating Conditions

Operating Temperature: -40 to 85 °C  
 Operating Humidity: 95% max. relative (non-condensing)  
 Radiated Immunity: 10 V/m, 80-2700 MHz (EN61000-6-2)

### Shock and Vibration

IEC 68-2-6 and IEC 68-2-7  
 Shock: 30g, 11 millisecond half sine wave, 18 shocks  
 Vibration: 0.5 mm p-p, 10 to 60 Hz

## 5-pin Euro-Style Female Wiring for DX81

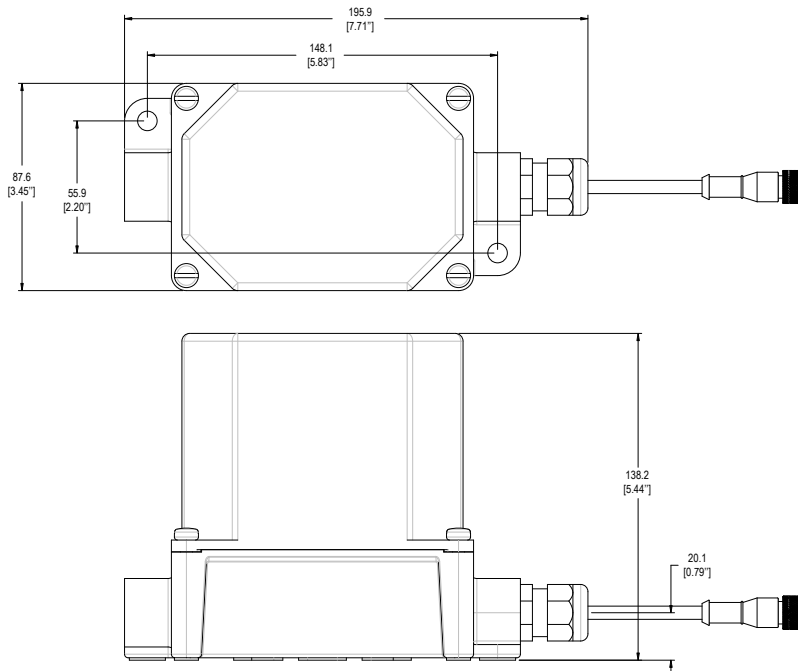
Use the battery supply module to power FlexPower® devices only.

5-pin Euro-Style Female Connector	Pin	Wire Color	Description	DX80...C Terminals
	3	Blue	dc common (GND)	V-
	5	Gray <sup>1</sup>	3.6 V dc	B+

<sup>1</sup> Do not apply more than 5.5 V dc to the gray wire.



## DX81P6 Dimensions



## Warnings

**Violating Warnings.** The manufacturer does not take responsibility for the violation of any warning listed in this document. Make no modifications to this product; any modifications to this product not expressly approved by Banner Engineering could void the user's authority to operate the product. All specifications published in this document are subject to change; Banner reserves the right to modify product specifications or update documentation at any time. For the most recent version of any documentation, refer to: [www.bannerengineering.com](http://www.bannerengineering.com). © 2006-2013 Banner Engineering Corp. All rights reserved.

## Banner Engineering Corp Limited Warranty

Banner Engineering Corp. warrants its products to be free from defects in material and workmanship for one year following the date of shipment. Banner Engineering Corp. will repair or replace, free of charge, any product of its manufacture which, at the time it is returned to the factory, is found to have been defective during the warranty period. This warranty does not cover damage or liability for misuse, abuse, or the improper application or installation of the Banner product.

THIS LIMITED WARRANTY IS EXCLUSIVE AND IN LIEU OF ALL OTHER WARRANTIES WHETHER EXPRESS OR IMPLIED (INCLUDING, WITHOUT LIMITATION, ANY WARRANTY OF MERCHANTABILITY OR FITNESS FOR A PARTICULAR PURPOSE), AND WHETHER ARISING UNDER COURSE OF PERFORMANCE, COURSE OF DEALING OR TRADE USAGE.

This Warranty is exclusive and limited to repair or, at the discretion of Banner Engineering Corp., replacement. IN NO EVENT SHALL BANNER ENGINEERING CORP. BE LIABLE TO BUYER OR ANY OTHER PERSON OR ENTITY FOR ANY EXTRA COSTS, EXPENSES, LOSSES, LOSS OF PROFITS, OR ANY INCIDENTAL, CONSEQUENTIAL OR SPECIAL DAMAGES RESULTING FROM ANY PRODUCT DEFECT OR FROM THE USE OR INABILITY TO USE THE PRODUCT, WHETHER ARISING IN CONTRACT OR WARRANTY, STATUTE, TORT, STRICT LIABILITY, NEGLIGENCE, OR OTHERWISE.

Banner Engineering Corp. reserves the right to change, modify or improve the design of the product without assuming any obligations or liabilities relating to any product previously manufactured by Banner Engineering Corp.