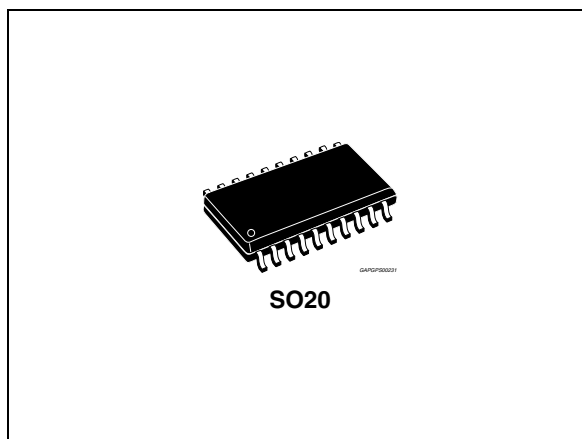


Quad low side driver

Datasheet – production data

Features

- Wide input voltage range from -24 V up to +45 V
- Wide operating supply voltage range from 4.5 V up to 32 V
- Reverse biasing protected ($V_S = -24\text{ V}$)
- Very low standby quiescent current $< 2\ \mu\text{A}$
- Programmable signal transfer polarity
- TTL and CMOS compatible inputs
- Defined output off state off for open inputs
- Three open drain DMOS outputs, with $R_{DSon} = 1.5\ \Omega$. at 25 °C and $V_S > 6\text{ V}$
- Output current limitation
- Controlled output slope for low EMI
- Over temperature shut-down
- Integrated output clamping for fast inductive recirculation $V_{FB} > 45\text{ V}$
- Status monitoring for:
 - Over temperature
 - Disconnected ground or supply voltage



- ESD: all pins are guaranteed till 2 kV human body mode

Description

The L9338 is a monolithic integrated quad low side driver realized in advanced Multipower-BCD technology. It is intended to drive lines, lamps or relays in automotive or industrial applications.

Table 1. Device summary

Order code	Package	Packing
E-L9338MD	SO20	Tube
E-L9338MD/TR	SO20	Tape and reel

Contents

1	Block diagram	5
2	Pins description	6
3	Electrical specifications	7
3.1	Absolute maximum ratings	7
3.2	Thermal data	7
3.3	Operating condition	7
3.4	Electrical characteristics	8
4	Circuit description	10
5	Package information	12
6	Revision history	13

List of tables

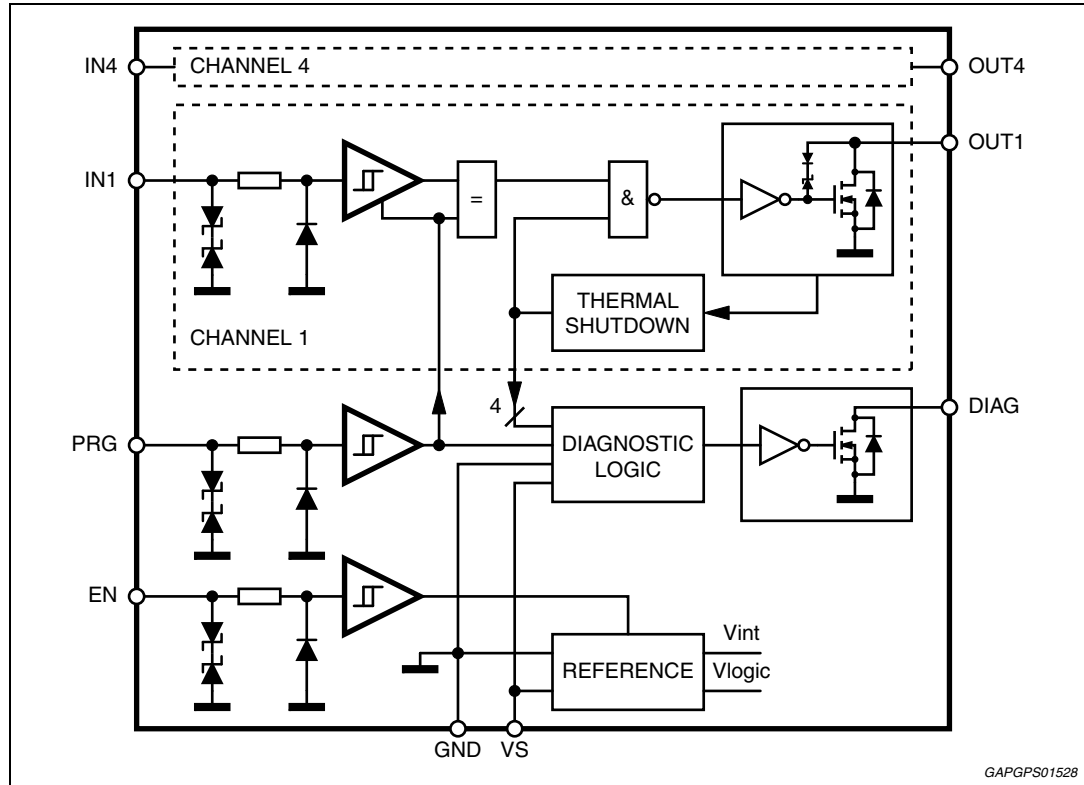
Table 1.	Device summary	1
Table 2.	Pins function	6
Table 3.	Absolute maximum ratings (no damage or latch)	7
Table 4.	Thermal data.	7
Table 5.	Operating condition.	7
Table 6.	Electrical characteristics	8
Table 7.	Diagnostic	10
Table 8.	Document revision history	13

List of figures

Figure 1.	Block diagram	5
Figure 2.	Pins connection diagram	6
Figure 3.	Timing diagram	9
Figure 4.	Application circuit for inverting transfer polarity	11
Figure 5.	SO20 mechanical data and package dimensions.	12

1 Block diagram

Figure 1. Block diagram



2 Pins description

Figure 2. Pins connection diagram

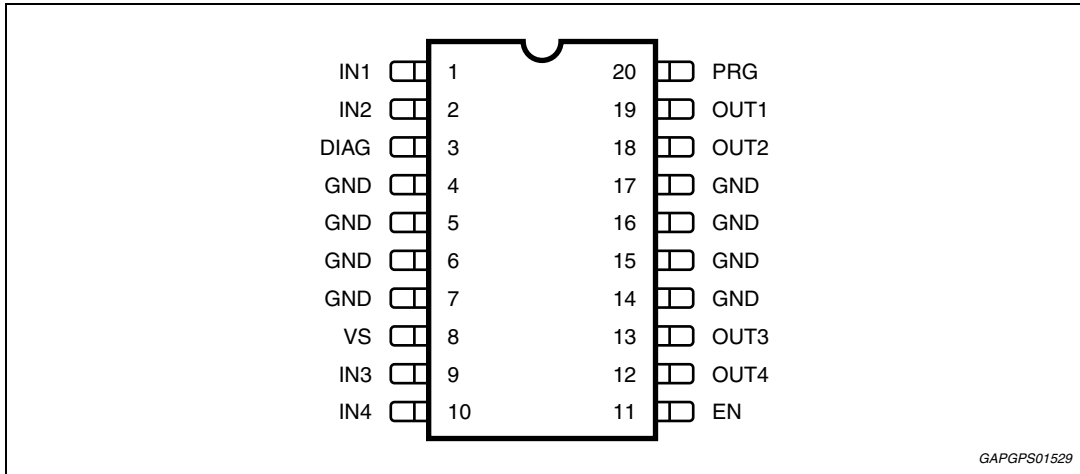


Table 2. Pins function

Pin #	Pin name	Function
1	IN1	Input 1
2	IN2	Input 2
3	DIAG	Diagnostics
4,5,6,7,14, 15,16,17	GND	Ground
8	VS	Supply voltage
9	IN3	Input 3
10	IN4	Input 4
11	EN	Enable
12	OUT 4	Output 4
13	OUT 3	Output 3
18	OUT 2	Output 2
19	OUT 1	Output 1
20	PRG	Program

3 Electrical specifications

3.1 Absolute maximum ratings

Table 3. Absolute maximum ratings (no damage or latch)

Symbol	Parameter	Value	Unit
V_S	Supply voltage	-24 to 45	V
Pin voltages			
V_{IN}	Input, enable, program	-24 to 45	V
V_{OUT}	Output	-0.3 to 45	V
V_{DIAG}	Diagnostic output	-0.3 to 45	V

3.2 Thermal data

Table 4. Thermal data

Symbol	Parameter	Value	Unit
$R_{th(j-pins)}$	Thermal resistance junction-to-pin	14 (Typ.)	°C/W
T_{jMon}	Temperature-monitoring	160 to 190	°C
	Switch-off-level Switch-on-level	140 to 170	°C

3.3 Operating condition

The electrical characteristics are valid within the below defined operating ranges, unless otherwise specified. The function will be guaranteed by design until T_{jMON} switch-OFF-level.

Table 5. Operating condition

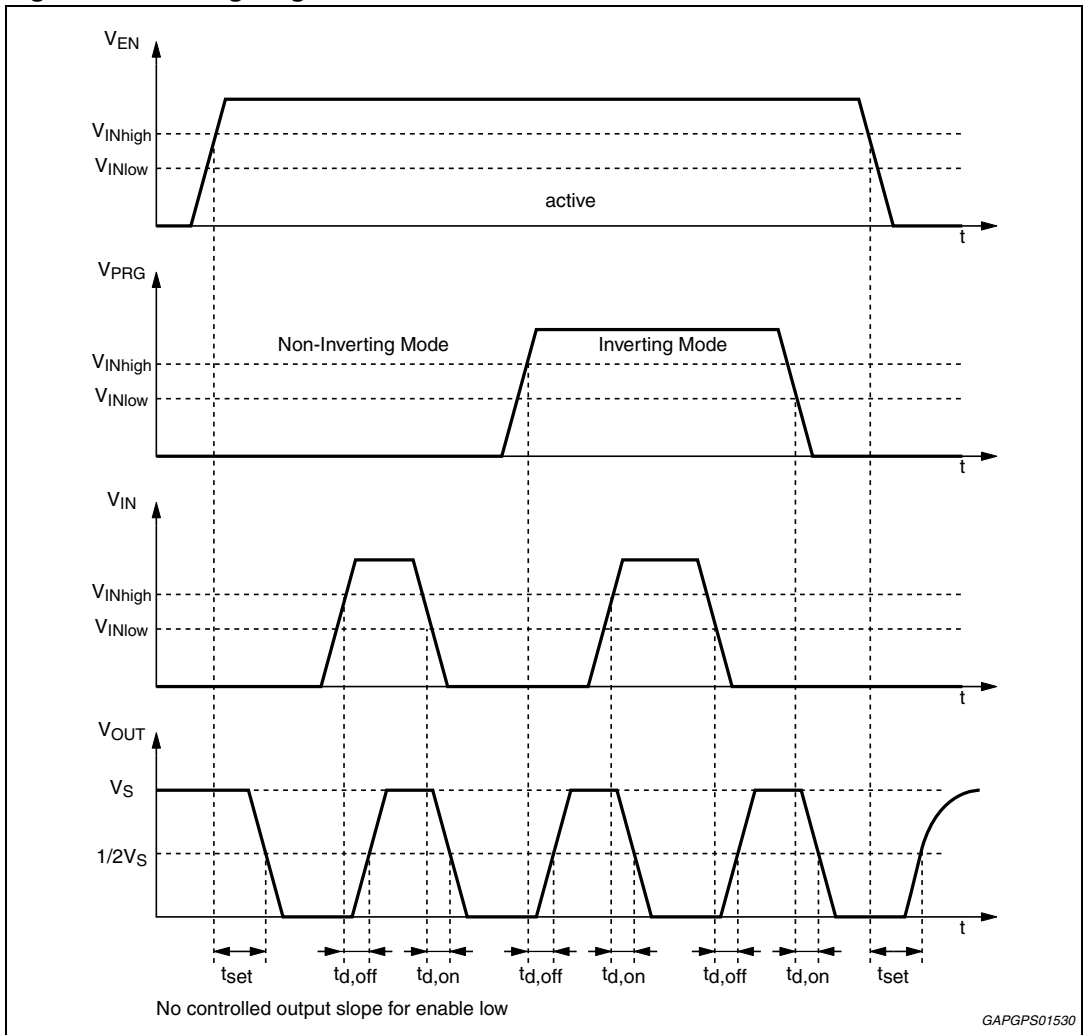
Symbol	Parameter	Value	Unit
V_S	Supply voltage	4.5 to 32	V
V_{IN}	Input pin voltage	-24 to 45	V
V_{EN}	Enable pin voltage	-24 to 45	V
V_{OUT}, V_D	Output pin voltage	-0.3 to 45	V
T_j	Junction temperature	-40 to 150	°C

3.4 Electrical characteristics

Table 6. Electrical characteristics

Symbol	Parameter	Test Condition	Min.	Typ.	Max.	Unit
I_Q	Quiescent current	$-0.3V \leq V_{EN} \leq 0.5V$; $V_S = 14V$; $T_j = 85^\circ C$	-	< 2	10	μA
		EN = high; $V_S \leq 14V$	-	1.5	2	mA
Inputs IN1 - IN3, PRG						
V_{INlow}	Input voltage low	-	-24	-	2.0	V
V_{INhigh}	Input voltage high	-	2.8	-	45	V
I_{IN}	Input current	$-24 V \leq V_i \leq 10 V$	-10	-	15	μA
Enable input EN						
V_{ENlow}	Input voltage low	-	-24	-	1	V
V_{ENhigh}	Input voltage high	-	3.2	-	V_S	V
R_{EN}	Input impedance	$-24V < V_i < 2.5V$	10	-	-	k Ω
I_{EN}	Input current	$2.5V \leq V_i \leq 25V$	-	20	50	μA
Outputs OUT1-OUT3						
R_{DSon}	Output on-resistor to ground	$V_S \geq 6 V$, $I_O = 0.3 A$ $T_j = 25^\circ C$ $T_j = 125^\circ C$	-	1.7	2.3 3.5	Ω Ω
I_{OLeak}	Leakage current	$V_O = V_S = 14 V$; $T_j = 85^\circ C$	-	≤ 1	5	μA
V_{OClamp}	Output voltage during clamping	time < 200 μs ; $10 mA \leq I_O \leq 0.3 A$	45	52	60	V
I_{OSC}	Short-circuit current	-	400	700	1200	mA
C_O	Internal output capacities	$V_O \geq 4.5V$	-	-	100	pF
Diagnostic output DIAG						
V_{Dlow}	Output voltage low	$I_{DL} \leq 1 mA$	-	0.3	0.5	V
I_{Dmax}	Max. Output current	Internal current limitation	1	5	15	mA
I_{Dleak}	Leakage current	$V_S = 14 V$; $T_j = 85^\circ C$	-	≤ 0.1	1	μA
Timing (see Figure 3)						
$t_{d,on}$	On delay time	$V_S = 14 V$, $C_{ext} = 0 pF$ $10 mA \leq I_O \leq 200m A$	-	2.5	3.5	μs
$t_{d,off}$	Off delay time		-	3	4.5	μs
t_{set}	Enable settling time		-	-	10	μs
$t_{d,DIAG}$	On or off diagnostic delay time		-	-	10	μs
S_{out}	Output slopes		2.5	9	16	V/ μs

Figure 3. Timing diagram



4 Circuit description

The L9338 is a quad low side driver for lines, lamps or inductive loads in automotive and industrial applications.

All inputs are TTL or CMOS compatible. This allows the device to be driven directly by a microcontroller. For the noise immunity, all inputs have a Schmitt-trigger with a hysteresis of typ. 100 mV.

Each input stage has an input voltage protection from -24 V to 45 V. The device can be activated with a 'high' signal on Enable (EN) input. Enable 'low' switches the device into the sleep mode. In this mode the quiescent current is less than 10 mA. A high signal on programming (PRG) input changes the signal transfer polarity from non inverting into the inverting mode. Normally this pin is connected to V_S or GND. These pins (PRG and EN) are internally fixed at low status by open input condition.

Independent of the programming input, the output (OUT) switches off, if the signal input (IN) pin is not connected.

Each output driver has a current limitation of min. 0.4 A and a separate thermal shut-down. The thermal shut-down deactivates that output which exceeds temperature switch off level. About 20K below this temperature threshold the output will be activated again. This means, that each output is able to sink continuously 285 mA without activating thermal shut-down at 85 °C ambient temperature. The slew rate of the output is limited to max. 14 V/ms to reduce the electromagnetic interference, but not for the enable transfer characteristic (see [Figure 3](#)). An integrated active flyback voltage limitation clamps the output voltage during the flyback phase of inductive loads to typ. 50 V. The power DMOS switches ON, if the device is enabled and the output swings below ground. This protection avoids the activation of parasitic inside the power DMOS.

The diagnostic (DIAG) is an open drain output. The logic status depends on the programming pin. If the PRG pin is 'low' the DIAG output becomes low, if the device works correctly.

At thermal shut-down of one channel, disconnected ground or supply voltage the diagnostic output becomes high. If the PRG pin is 'high' this output is switched off at normal function and switched on at over temperature.

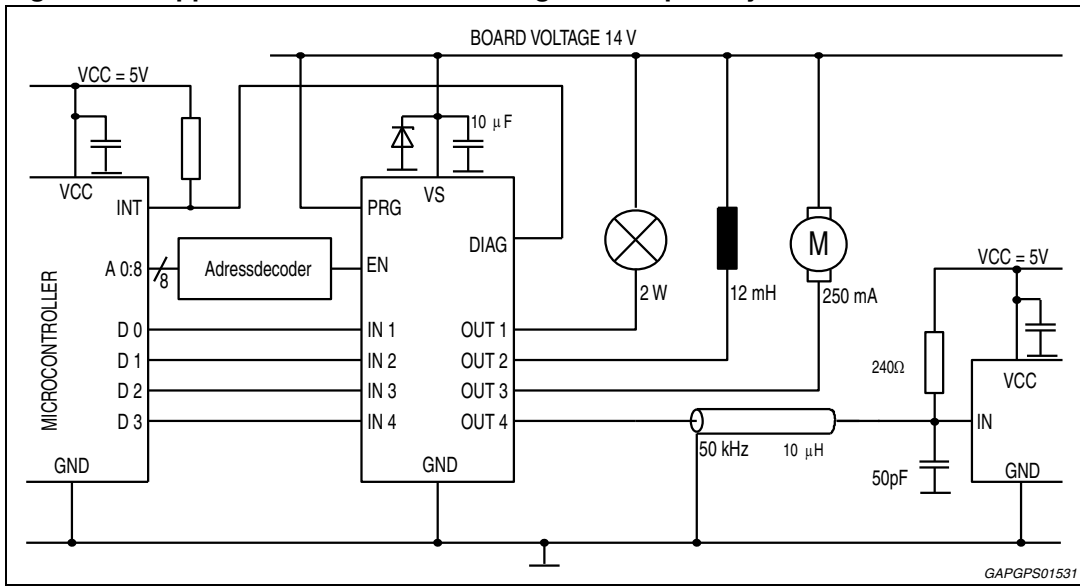
Table 7. Diagnostic

Pins	EN	PRG	IN	OUT	DIAG
Normal function	H	L	L	L (on)	L (on)
	H	L	H	H (off)	L (on)
	H	H	L	H (off)	H(off)
	H	H	H	L (on)	H(off)
	L	X	X	H (off)	H(off)
Over temperature, disconnected ground or supply voltage	H	L	X	H (off) ⁽¹⁾	H (off)
Over temperature	H	H	X	H (off) ⁽¹⁾	L (on)

1. Selective for each channel at over temperature.

X = not relevant.

Figure 4. Application circuit for inverting transfer polarity

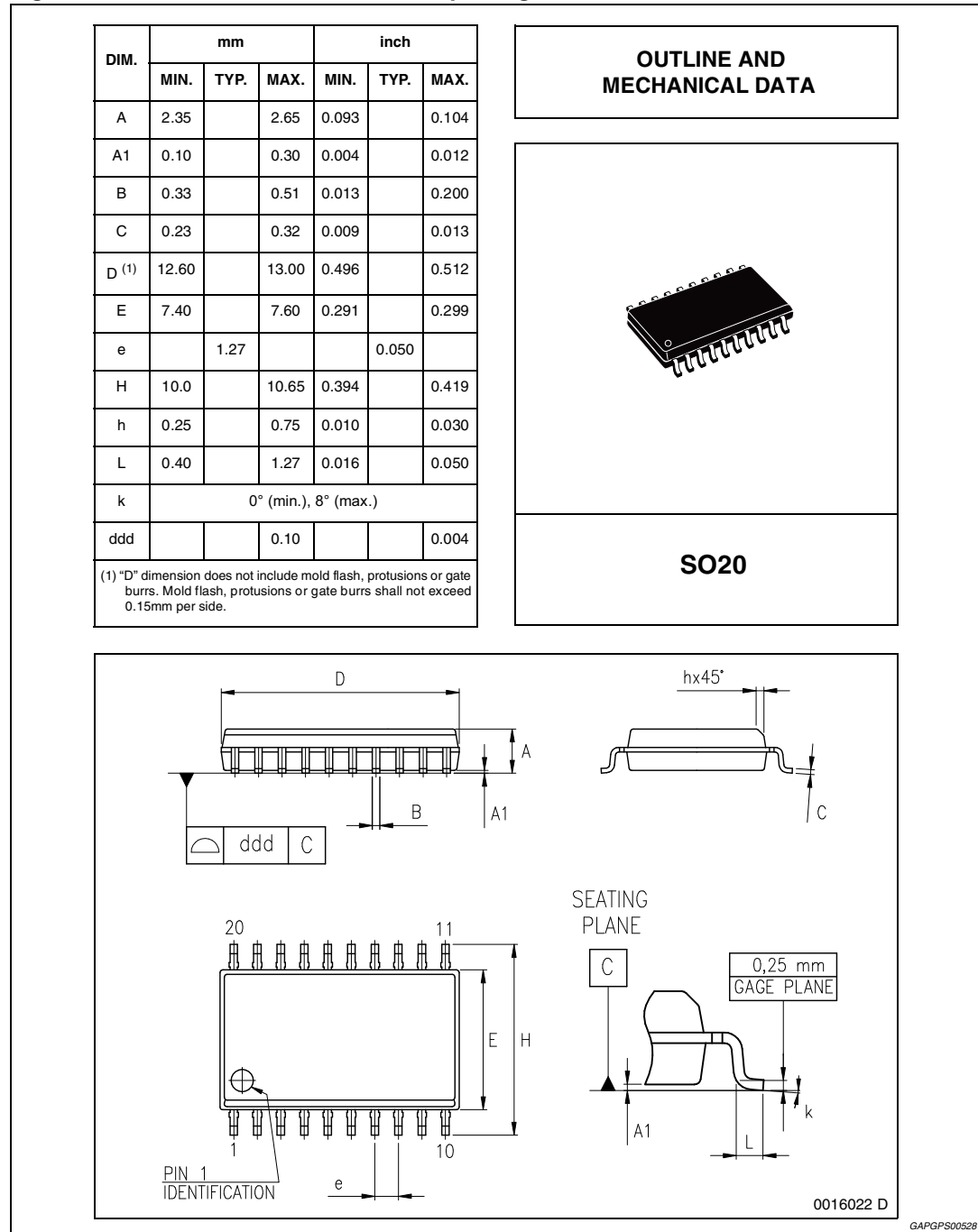


5 Package information

In order to meet environmental requirements, ST offers these devices in different grades of ECOPACK[®] packages, depending on their level of environmental compliance. ECOPACK[®] specifications, grade definitions and product status are available at: www.st.com.

ECOPACK[®] is an ST trademark.

Figure 5. SO20 mechanical data and package dimensions



6 Revision history

Table 8. Document revision history

Date	Revision	Changes
March 2000	3	
10-Apr-2012	4	Document reformatted. Updated ordering numbers, see Table 1: Device summary on page 1 .
16-Sept-2013	5	Updated Disclaimer