

Features

- Half-step and full-step mode
- Bipolar drive of stepper motor for maximum motor performance
- Built-in protection diodes
- Wide range of current control 5 to 1500 mA
- Wide voltage range 10 to 50 V
- Designed for unstabilized motor supply voltage
- Current levels can be selected in steps or varied continuously
- Thermal overload protection
- Alarm output or pre-alarm output

Applications

The TEA3718 is a bipolar monolithic integrated circuit intended to control and drive the current in one winding of a bipolar stepper motor.

Description

The circuits consist of an LS-TTL compatible logic input, a current sensor, a monostable and an output stage with built-in protection diodes. Two TEA3718 ICs and a few external components form a complete control and drive unit for LS-TTL or microprocessor-controlled stepper motor systems.

Table 1. Device summary

Order code	Package
E-TEA3718SDP	Power DIP
E-TEA3718DP	
E-TEA3718SFP	SO20
E-TEA3718SFPTR	SO20 (tape and reel)
E-TEA3718SP	Multiwatt™ 15

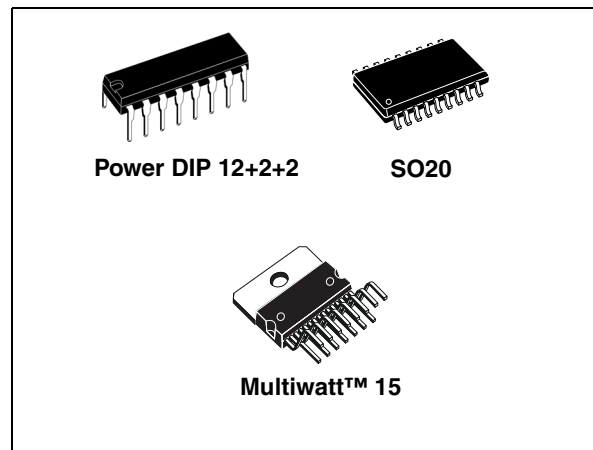
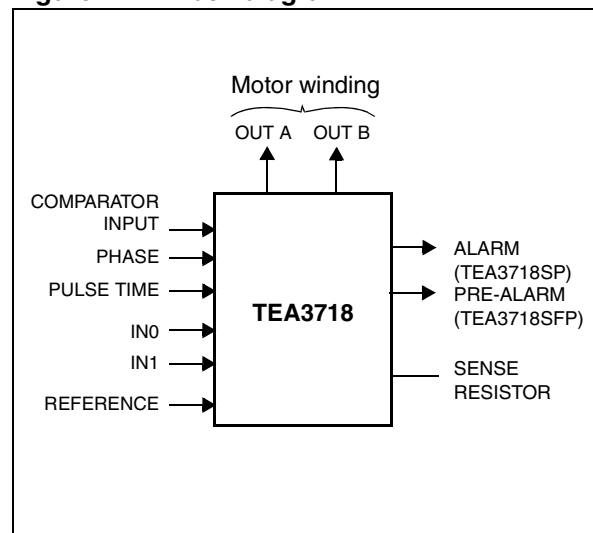


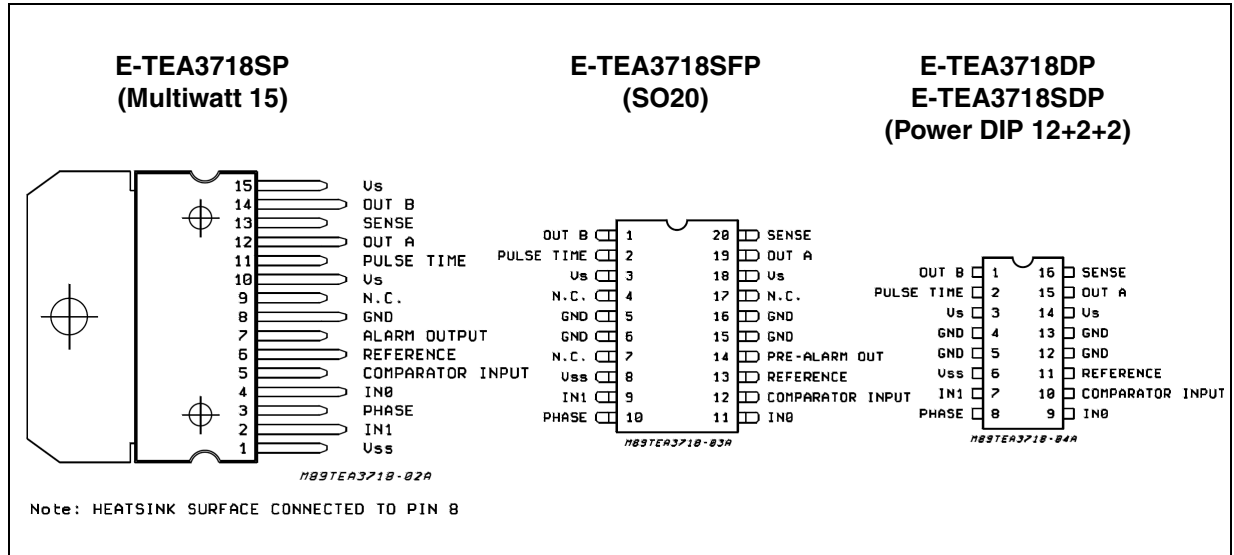
Figure 1. Block diagram



TM: Multiwatt is a trademark of STMicroelectronics

1 Pin connections

Figure 2. Package pin locations (top views)



Contents

1	Pin connections	2
2	Device diagrams	5
3	Electrical specifications	7
3.1	Absolute maximum ratings	7
3.2	Recommended operating conditions	7
3.3	Thermal data	8
3.4	Electrical characteristics	10
4	Functional blocks	13
4.1	Alarm output (TEA3718SP, TEA3718DP and TEA3718SDP)	14
4.2	Pre-alarm output (TEA3718SFP)	15
4.3	Current reduction in alarm condition	15
4.4	Typical application	16
5	Functional description	17
5.1	Input logic	17
5.2	Phase input	17
5.3	Current sensor	17
5.4	Single-pulse generator	18
5.5	Output stage	18
5.6	V_{SS} , V_S and V_R	18
5.7	Analog control	18

Contents

6	Application notes	19
6.1	Motor selection	19
6.2	Unused inputs	19
6.3	Interference	19
6.4	Operating sequence	20
7	Package mechanical data	21
	Revision history	25

2 Device diagrams

Figure 3. Detailed block diagram (TEA3718SFP)

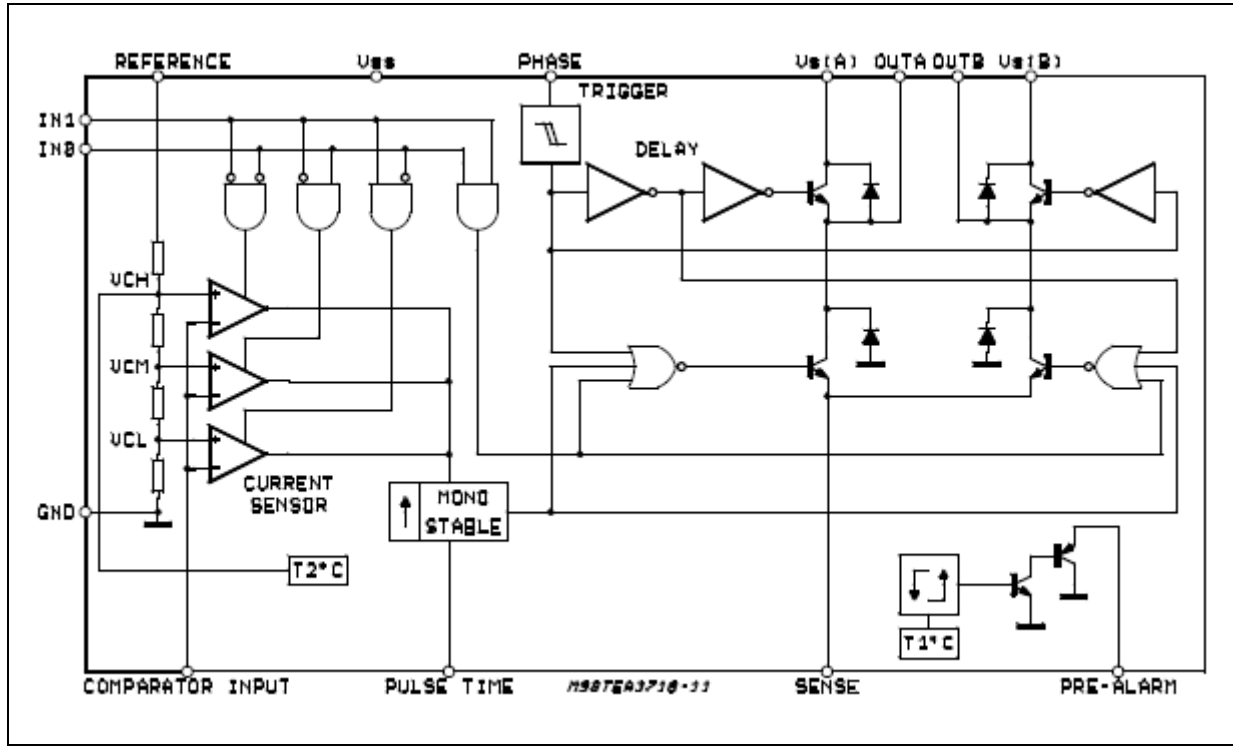
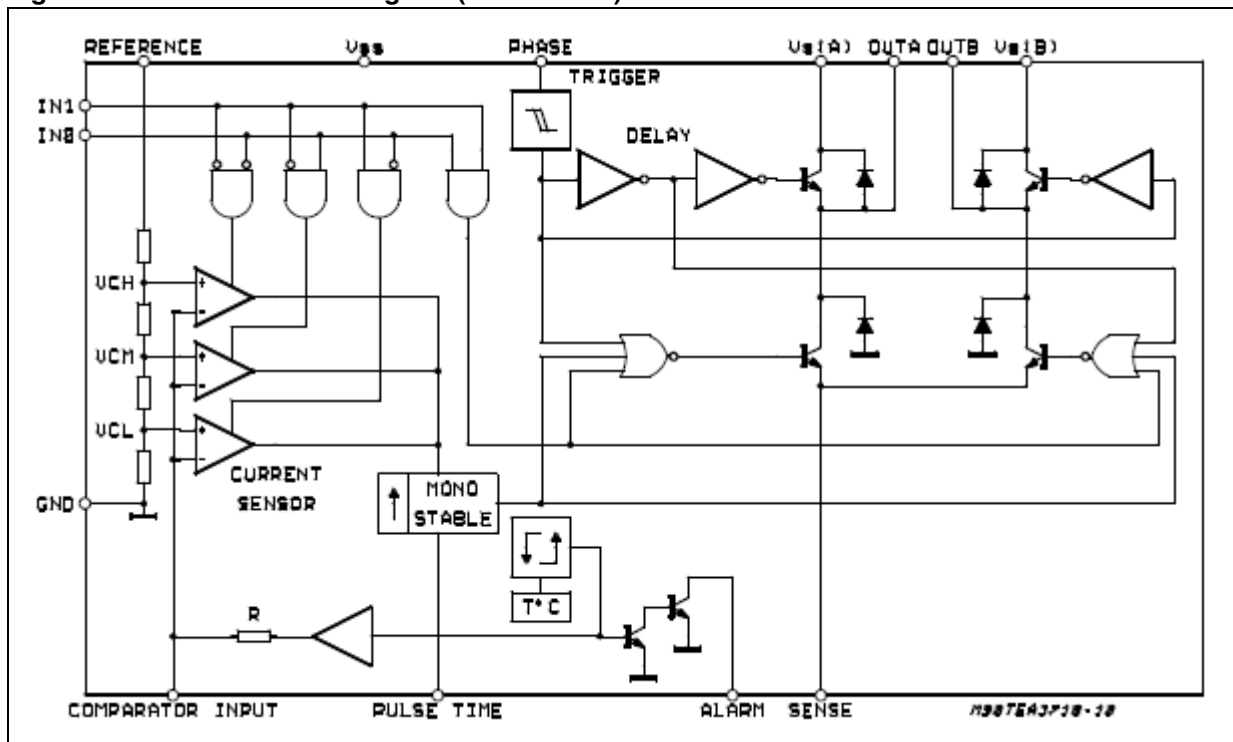


Figure 4. Detailed block diagram (TEA3718SP)



Device diagrams

Table 2. Pin functions

Name	Function
OUTB	Output connection (with pin OUT A). The output stage is a "H" bridge formed by four transistors and four diodes suitable for switching applications.
PULSE TIME	A parallel RC network connected to this pin sets the OFF time of the lower power transistors. The pulse generator is a monostable triggered by the rising edge of the output of the comparators ($t_{off} = 0.69 R_T C_T$).
V _S (B)	Supply voltage input for half output stage
GND	Ground connection. In SO20 and power DIP these pins also conduct heat from die to printed circuit copper.
V _{SS}	Supply voltage input for logic circuitry
IN1	This pin and pin IN0 are logic inputs which select the outputs of three comparators to set the current level. Current also depends on the sensing resistor and reference voltage. See Table 8: Truth table .
PHASE	This TTL-compatible logic input sets the direction of current flow through the load. A high level causes current to flow from OUT A (source) to OUT B (sink). A Schmidt trigger on this input provides good noise immunity and a delay circuit prevents output stage short circuits during switching.
IN0	See IN1
COMPARATOR INPUT	Input connected to the three comparators. The voltage across the sense resistor is feedback to this input through the low pass filter RCCC. The lower power transistor are disabled when the sense voltage exceeds the reference voltage of the selected comparator. When this occurs the current decays for a time set by $R_T C_T$, $T_{off} = 0.69 R_T C_T$.
REFERENCE	A voltage applied to this pin sets the reference voltage of the three comparators. Reference voltage with the value of R _S and the two inputs IN0 and IN1 determines the output current.
V _S (A)	Supply voltage input for half output stage
OUTA	See pin OUT B
SENSE RESISTOR	Connection to lower emitters of output stage for insertion of current sense resistor
ALARM	When T _j reaches T1 °C the alarm output becomes low (TEA3718SP)
PRE-ALARM	When T _j reaches T2 °C the pre-alarm output becomes low (T2<T1) (TEA3718SFP)

Table 3. Device comparison table

Device	Current	Package	Alarm	Pre-alarm
TEA3718SDP	1.5 A	Power DIP 12+2+2		Not connected
TEA3718SFP	1.5 A	SO20		Connected
TEA3718SP	1.5 A	Multiwatt 15	Connected	
TEA3718DP	1.5 A	Power DIP 12+2+2	Not connected	

3 Electrical specifications

3.1 Absolute maximum ratings

Table 4. Absolute maximum ratings

Symbol	Parameters	Value	Unit
V_{SS} V_S	Supply voltage	7 50	V
V_I	Input voltage: – logic inputs – analog inputs – reference input	6 V_{SS} 15	V
i_i	Input current: – logic inputs – analog inputs	-10 -10	mA
I_O	Output current	± 1.5	A
T_J	Junction temperature	+150	$^{\circ}\text{C}$
T_{op}	Operating ambient temperature range	0 to 70	$^{\circ}\text{C}$
T_{stg}	Storage temperature range	-55 to +150	$^{\circ}\text{C}$

3.2 Recommended operating conditions

Table 5. Recommended operating conditions

Symbol	Parameters	SO20	Power DIP	Multiwatt 15	Unit
V_{SS}	Supply voltage	4.75	5	5.25	V
V_S	Supply voltage	10	-	45	V
I_m	Output current	0.020	-	1.2	A
T_{amb}	Ambient temperature	0	-	70	$^{\circ}\text{C}$
t_r	Rise time for logic inputs	-	-	2	μs
t_f	Fall time for logic inputs	-	-	2	μs

3.3 Thermal data

Table 6. Thermal data

Symbol	Parameters	SO20	Power DIP	Multiwatt 15	Unit
$R_{th(j-c)}$	Maximum junction-case thermal resistance	16	11	3	$^{\circ}C/W$
$R_{th(j-a)}$	Maximum junction-ambient thermal resistance	60 ⁽¹⁾	45 ⁽¹⁾	40	$^{\circ}C/W$

1. Soldered on a 35 μm thick 4 cm² PC board copper area

Figure 5. Maximum power dissipation

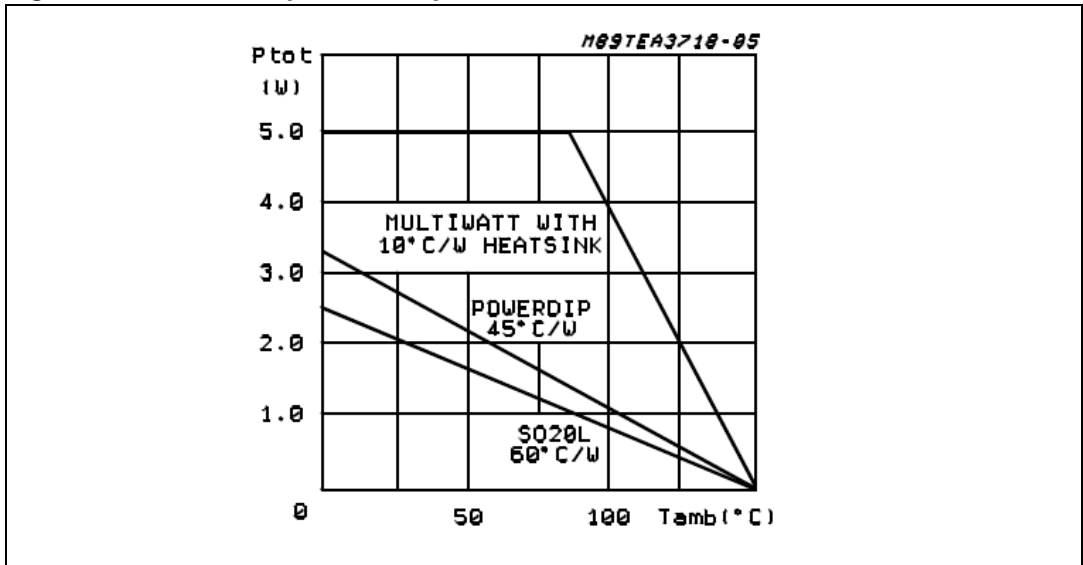


Figure 6. Typical external component configuration

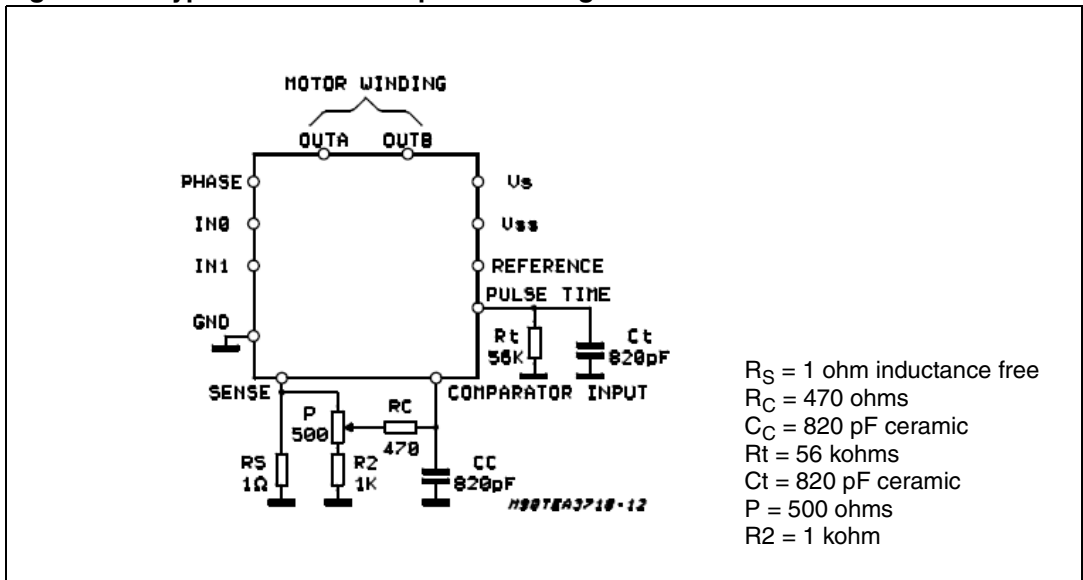
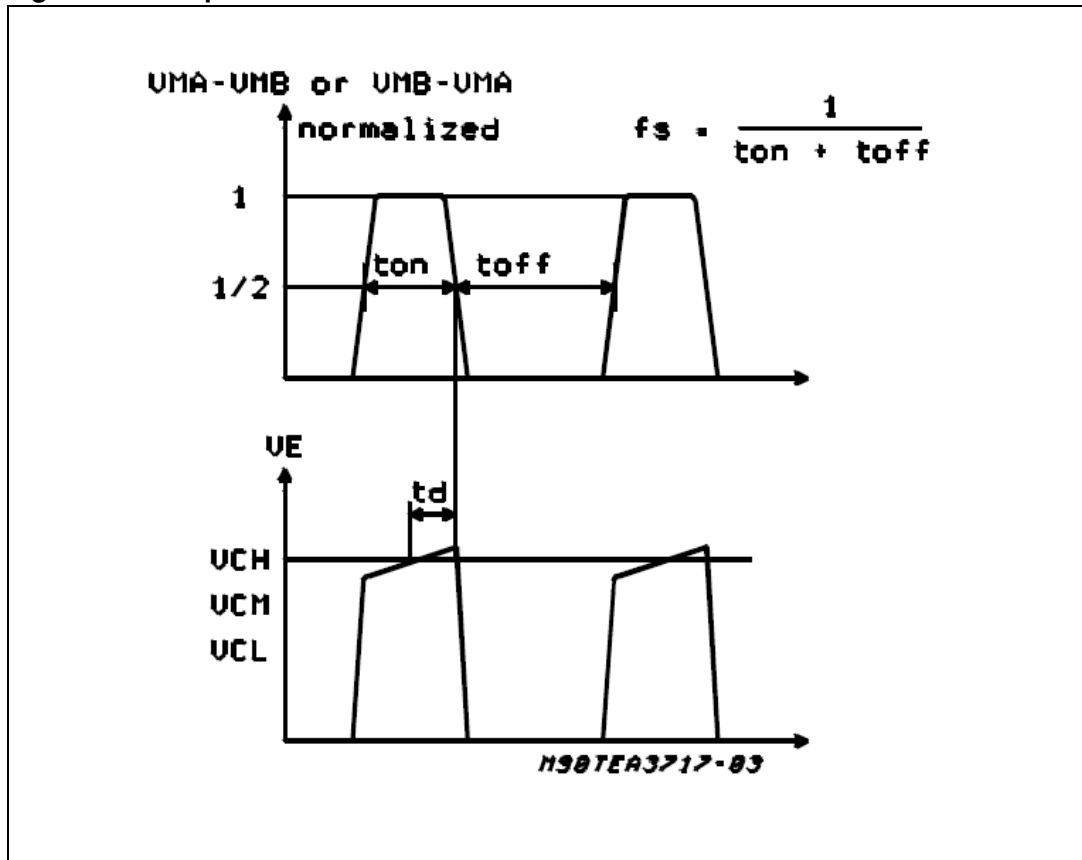


Figure 7. Output waveforms



3.4 Electrical characteristics

Table 7. Electrical characteristics⁽¹⁾

Symbol	Parameter	Min. ⁽²⁾	Typ. ⁽²⁾	Max. ⁽²⁾	Unit	
I_{CC}	Supply current	-	-	25	mA	
V_{IH}	High level input voltage - logic inputs 2	2	-	-	V	
V_{IL}	Low level input voltage - logic inputs	-	-	0.8	V	
I_{IH}	High level input current - logic inputs	-	-	20	μ A	
I_{IL}	Low level input current - logic inputs ($V_I = 0.4$ V)	-0.4	-	-	mA	
V_{CH} V_{CM} V_{CL}	Comparator threshold voltage ($V_R = 5$ V) $I_O = 0, I_I = 0$ $I_O = 0, I_I = 0$ $I_O = 0, I_I = 0$	390 230 65	420 250 80	440 270 90	mV	
I_{CO}	Comparator input current	-20	-	20	μ A	
I_{off}	Output leakage current ($I_O = 0, I_I = 1$ T _{amb} = 25°C)	-	-	100	μ A	
$V_{sat}(total)$	Total saturation voltage drop ($I_m = 1$ A) SO20/Power DIP Multiwatt	- - -	- - -	2.8 3.2	V	
P_{tot}	Total power dissipation - $I_m = 1$ A, $f_s = 30$ kHz	-	3.1	3.6	W	
t_{off}	Cut off time (see Figure 6 and Figure 7 , $V_{mm} = 10$ V $V_{ton} > 5$ μ s)	25	30	35	ms	
t_d	Turn off delay (see Figure 6 and Figure 7) T _{amb} = 25°C, dVC/dt > 50 mV/ μ s)	-	1.6	-	μ s	
$V_{sat}(alarm)$	Alarm output saturation voltage $I_O = 2$ mA (Multiwatt)	-	0.8	-	V	
I_{ref}	Reference input current, $V_R = 5$ V	-	0.4	1	mA	
$V_{sat}(source)$	Source diode transistor pair saturation voltage	Power DIP $I_m = 0.5$ A	-	1.05	1.2 (1.3)	V
		Power DIP $I_m = 1$ A	-	1.35	1.5 (1.7)	
		Multiwatt $I_m = 0.5$ A	-	-	1.3	V
		Multiwatt $I_m = 1$ A	-	-	1.7	
$V_f(source\ diode)$	Source diode forward voltage	$I_f(source) = 0.5$ A	-	1.1	1.5 (1.6)	V
		$I_f(source) = 1$ A	-	1.25	1.7 (1.9)	
I_{sub}	Substrate leakage current	$I_f = 1$ A	-	-	5	mA
$V_{sat}(sink)$	Sink diode transistor pair saturation	Power DIP $I_m = 0.5$ A	-	1	1.2 (1.3)	V
		Power DIP $I_m = 1$ A	-	1.2	1.3 (1.5)	
		Multiwatt $I_m = 0.5$ A	-	-	1.3	V
		Multiwatt $I_m = 1$ A	-	-	1.5	
$V_f(sink\ diode)$	Sink diode forward voltage	$I_f(sink) = 0.5$ A	-	1	1.4 (1.6)	V
		$I_f(sink) = 1$ A	-	1.1	1.5 (1.9)	

1. $V_s = V_{ss} = 5$ V, $\pm 5\%$, $V_{mm} = 10$ V to 45V, $T_{amb} = 0$ to 70°C ($T_{amb} = 25$ °C for TEA3718SFP) unless otherwise specified.
 2. Values in parentheses apply only to E-TEA3718SFP and E-TEA3718SFPTR mounted in SO20 package.

Figure 8. Sink driver $V_{CE\ sat}$ against I_{out} and T_j

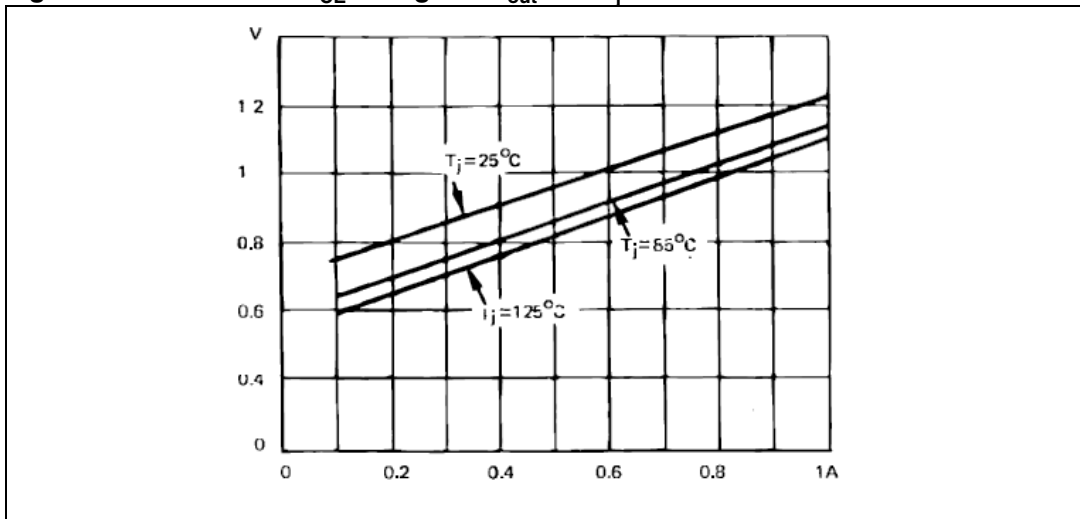


Figure 9. Lower diode V_f against I_{OUT} and T_j

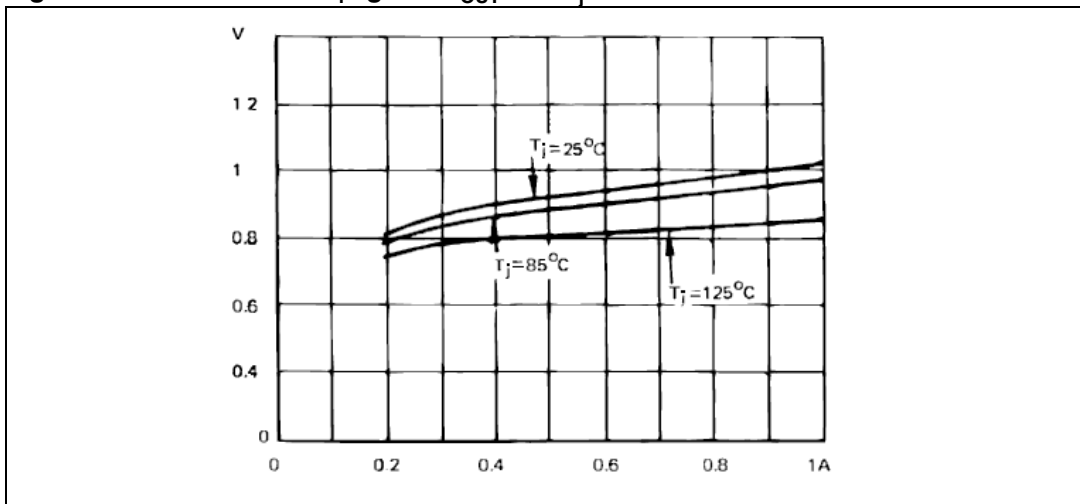


Figure 10. Source driver $V_{CE\ sat}$ against I_{OUT} and T_j

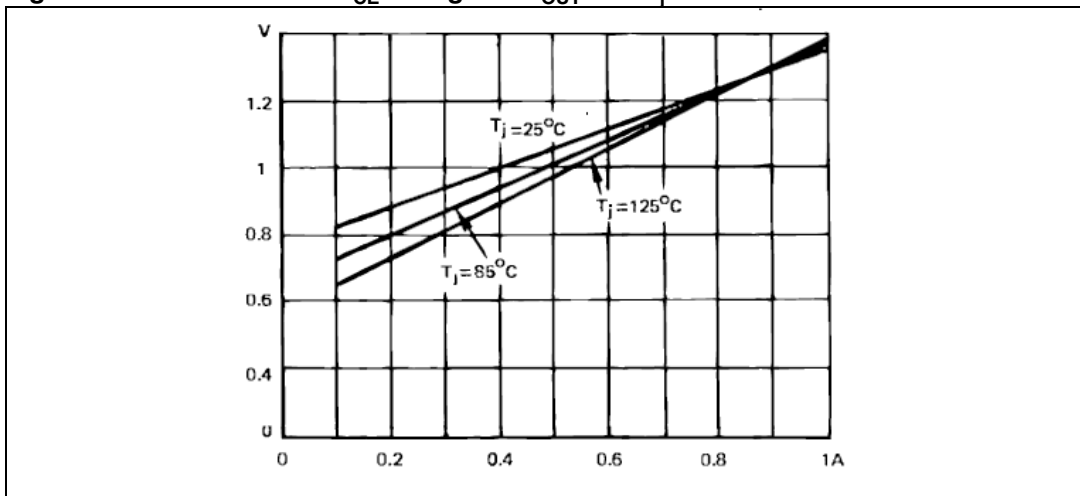


Figure 11. Upper diode V_f against I_{OUT} and T_j

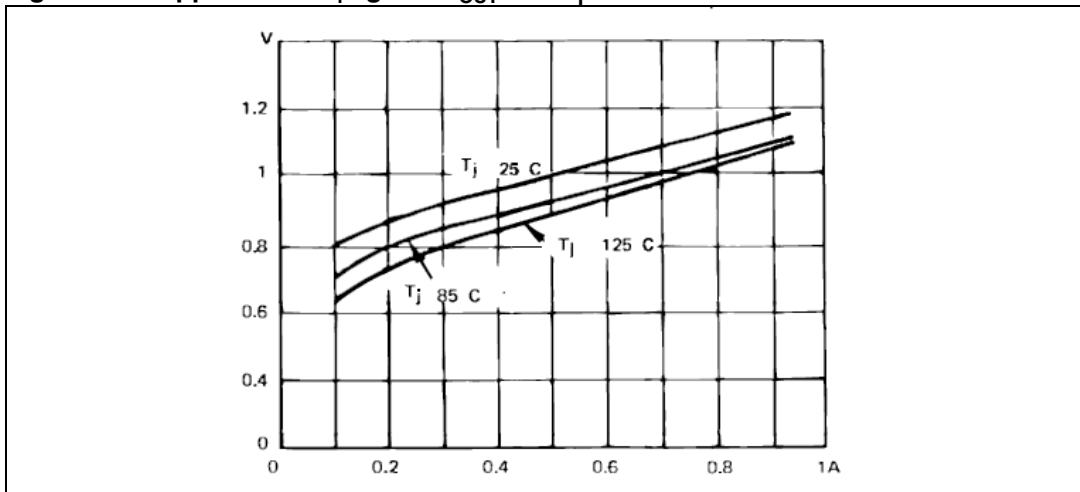


Figure 12. I_{ref} against junction temperature

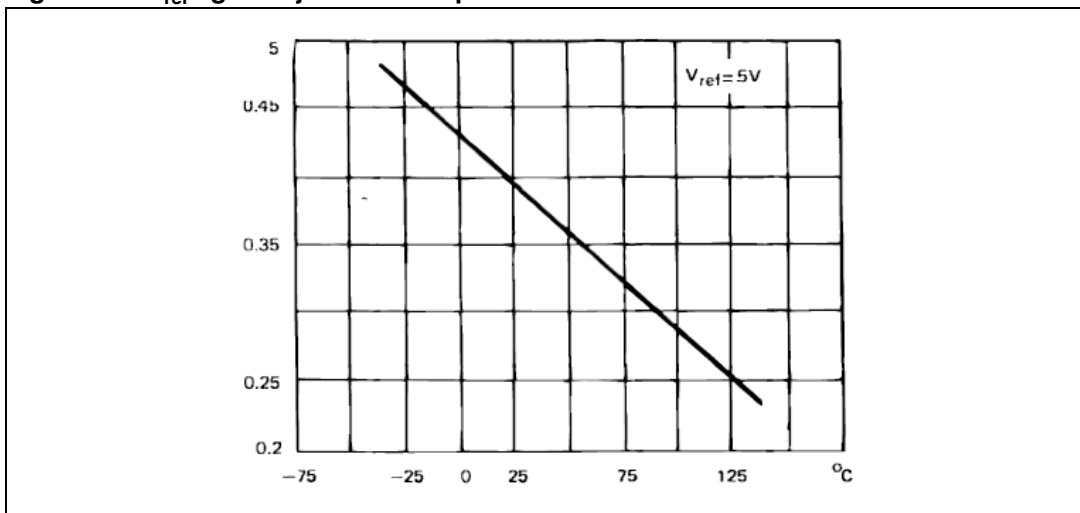
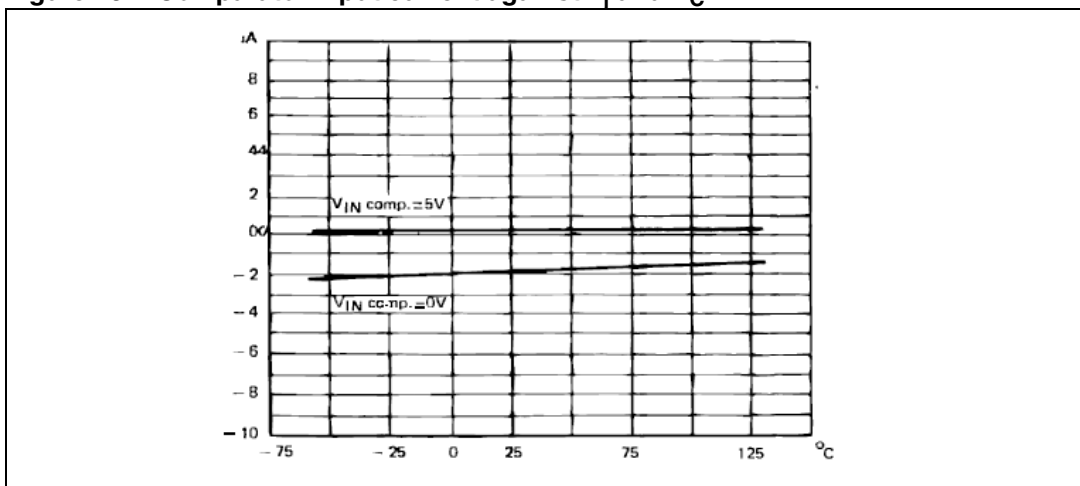


Figure 13. Comparator input current against T_j and V_C



4 Functional blocks

Figure 14. Alarm output (TEA3718SP)

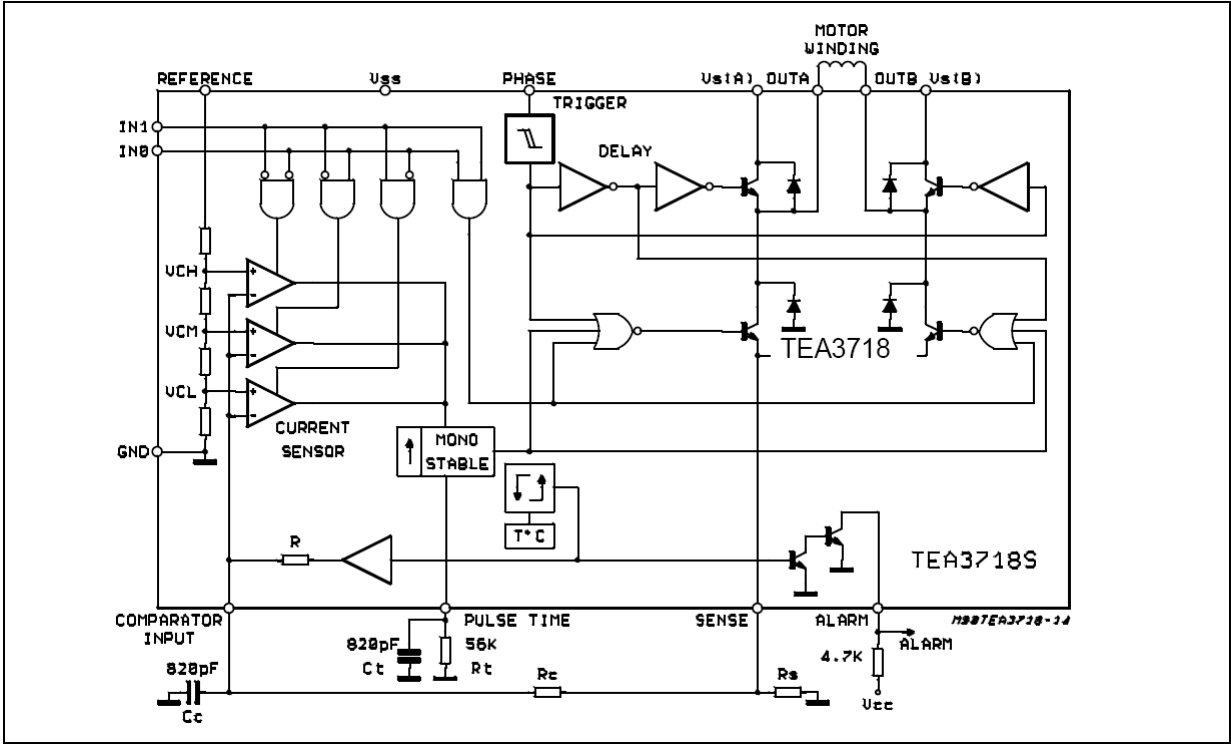
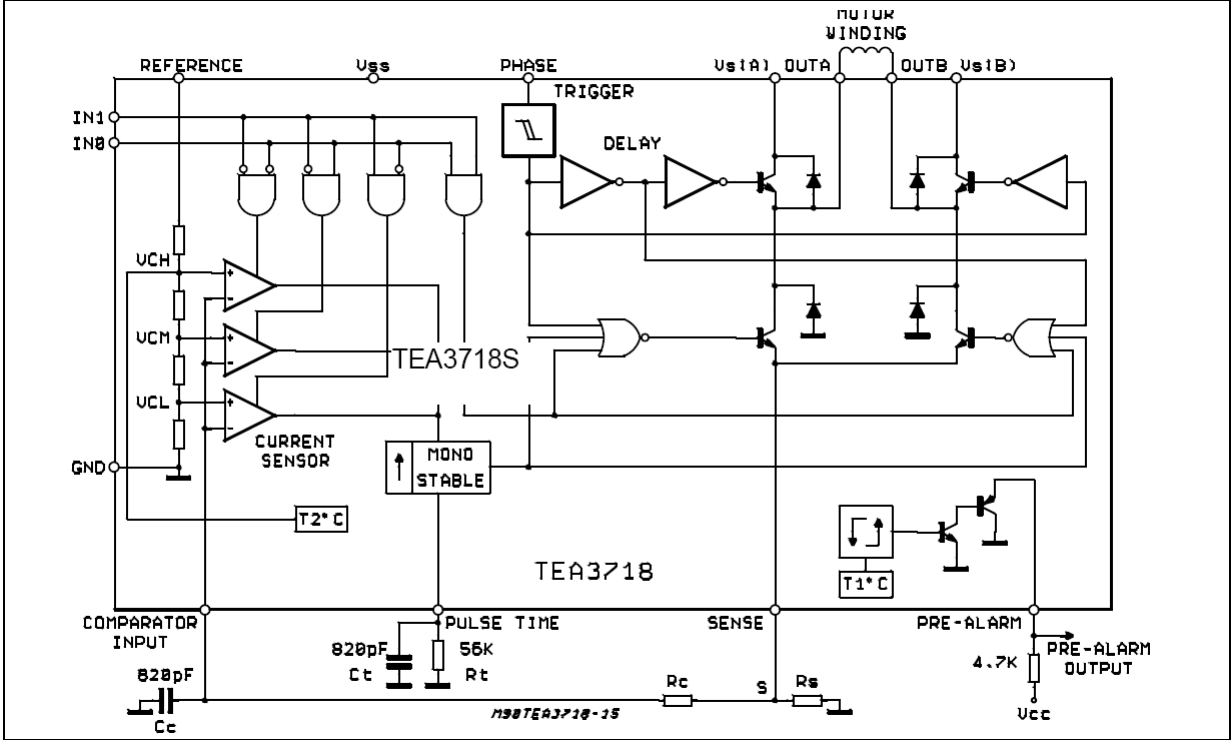


Figure 15. Pre-alarm output (TEA3718SFP)



4.1 Alarm output (TEA3718SP, TEA3718DP and TEA3718SDP)

The ALARM output pin becomes low when the junction temperature reaches T °C. When an alarm condition occurs, parts of the supply voltage (dividing bridge R - R_C) is fed to the comparator input pin (Figure 16). Depending on the R_C value the behavior of the circuit on an alarm condition is as follows:

- R_C > 80 ohms, the output stage is switched off
- R_C > 60 ohms, the current in the motor windings is reduced according to the approximate formula: (see also Figure 18 and Figure 19)

$$I_m = \frac{V_{TH}}{R_S} - \frac{V_{CC}}{R + R_C} \cdot \frac{R_C}{R_S}$$

with V_{TH} = threshold of the comparator (V_{CH}, V_{CM}, V_{CL}) R = 700 ohms (typical).

For several Multiwatt packages a common detection can be obtained as in Figure 17.

Figure 16. Alarm detection for power DIP package

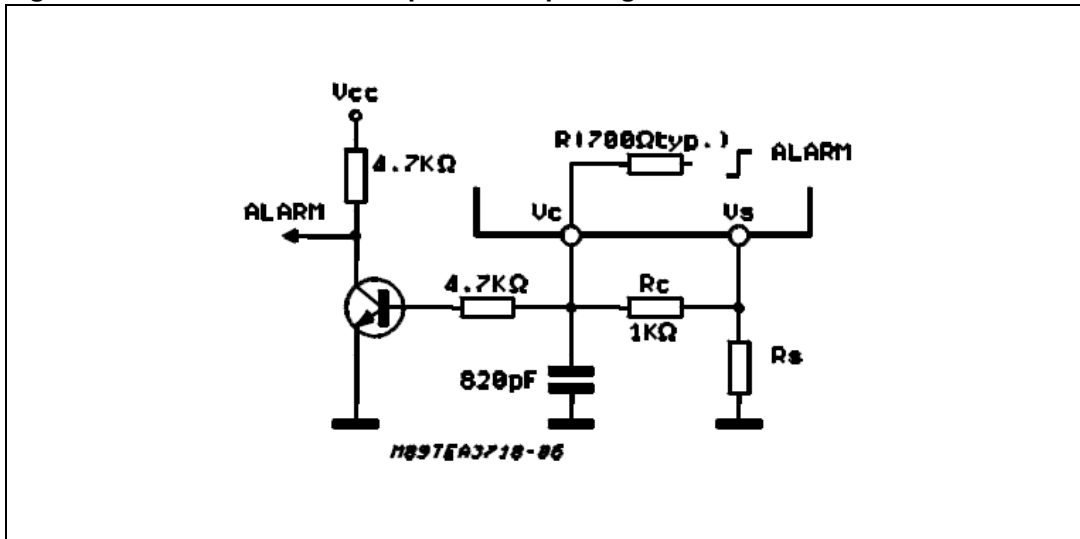
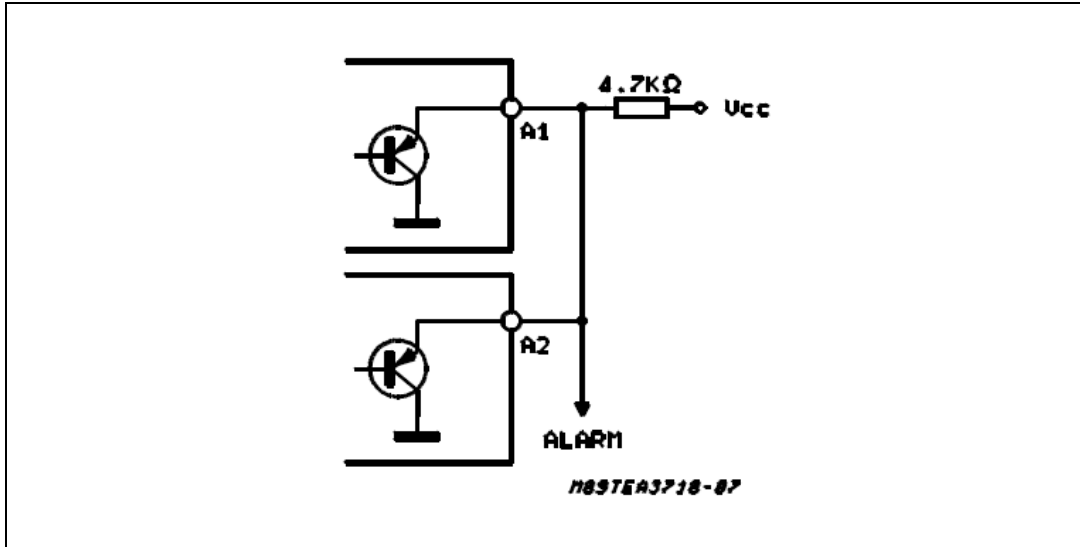


Figure 17. Common detection for several Multiwatt packages



4.2 Pre-alarm output (TEA3718SFP)

When the junction temperature reaches $T1^{\circ}\text{C}$ (typically = 170°C) a pre-alarm signal is generated on the PRE-ALARM output pin.

Soft thermal protection occurs when function temperature reaches $T2$ ($T2 > T1$).

4.3 Current reduction in alarm condition

Note: The resistance values given in this section are for the V_{CH} threshold. They should be adjusted when using other comparator thresholds or V_{ref} values.

Figure 18. Current reduction in the motor on alarm condition (typical curve)

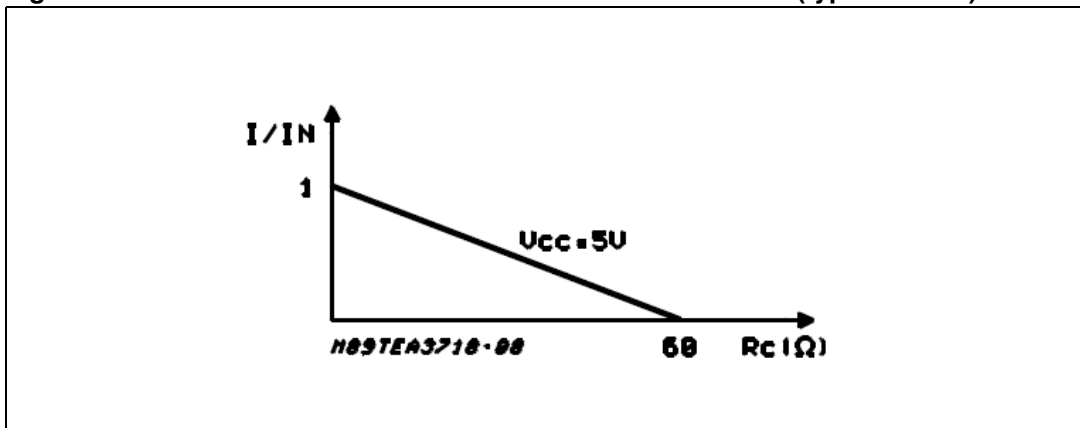
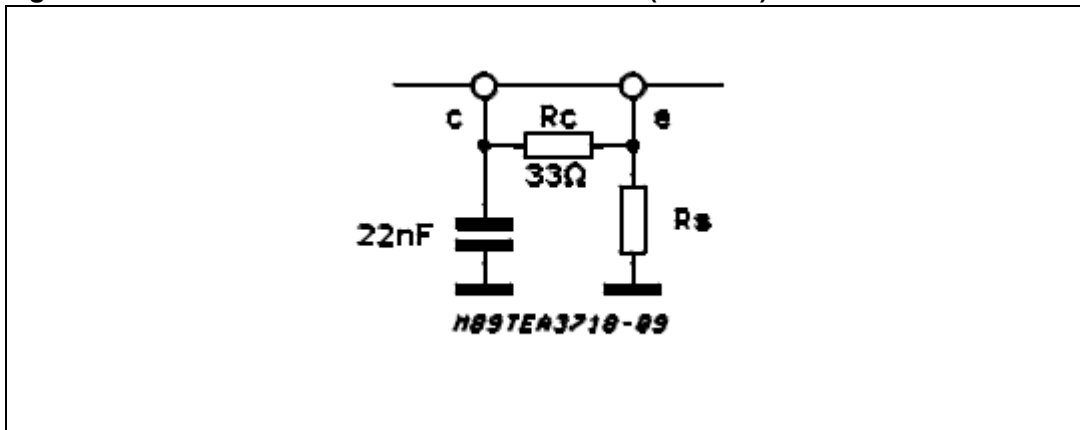
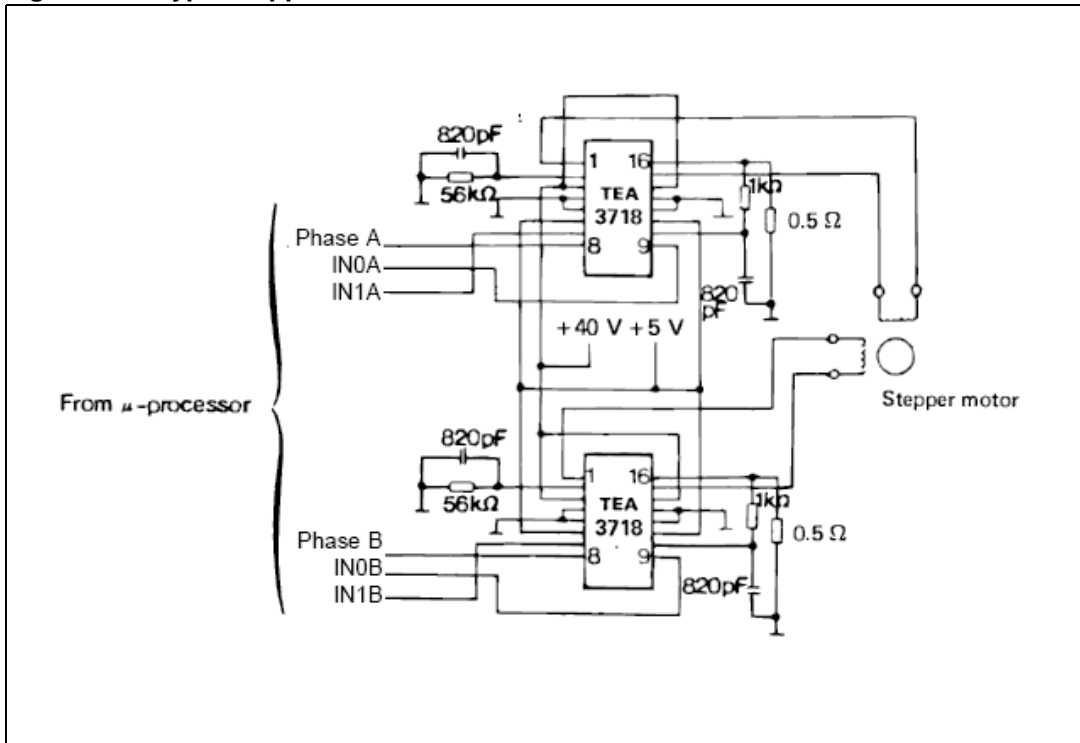


Figure 19. Half-current on alarm condition circuit ($V_{ref} = 5\text{ V}$)



4.4 Typical application

Figure 20. Typical application circuit



5 Functional description

The circuit is intended to drive a bipolar constant current through one motor winding. The constant current is generated through switch mode regulation.

There is a choice of three different current levels with the two logic inputs IN0 and IN1. The current can also be switched off completely.

5.1 Input logic

If any logic input is left open, the circuit treats it as a high-level input.

Table 8. Truth table

IN0	IN1	Current level
H	H	No current
L	H	Low current
H	L	Medium current
L	L	Maximum current

5.2 Phase input

The PHASE input pin determines the direction of current flow in the winding, depending on the motor connections. The signal is fed through a Schmidt trigger for noise immunity, and through a time delay in order to guarantee that no short-circuit occurs in the output stage during phase-shift. A high level on the PHASE input causes the motor current flow from OUTA through the winding to OUTB.

The IH0 and IH1 input pins select the current level in the motor winding. The values of the different current levels are determined by the reference voltage VR together with the value of the sensing resistor R_S .

5.3 Current sensor

This part contains a current sensing resistor (R_S), a low pass filter (R_C , C_C) and three comparators. Only one comparator is active at a time. It is activated by the input logic according to the current level chosen with signals IN0 and IN1. The motor current flows through the sensing resistor RS. When the current has increased so that the voltage across RS becomes higher than the reference voltage on the other comparator input, the comparator output goes high, which triggers the pulse generator and its output goes high during a fixed pulse time (t_{off}), thus switching off the power feed to the motor winding, and causing the motor current to decrease during t_{off} .

5.4 Single-pulse generator

The pulse generator is a monostable triggered on the positive going edge of the comparator output. The monostable output is high during the pulse time, t_{off} , which is determined by the timing components R_T and C_T . $t_{off} = 0.69 \cdot R_T \cdot C_T$

The single pulse switches off the power feed to the motor winding, causing the winding current to decrease during t_{off} . If a new trigger signal should occur during t_{off} , it is ignored.

5.5 Output stage

The output stage contains four Darlington transistors and four diodes, connected in an H-bridge. The two sinking transistors are used to switch the power supplied to the motor winding, thus driving a constant current through the winding.

Note: It is not permitted to short circuit the outputs.

5.6 V_{SS} , V_S and V_R

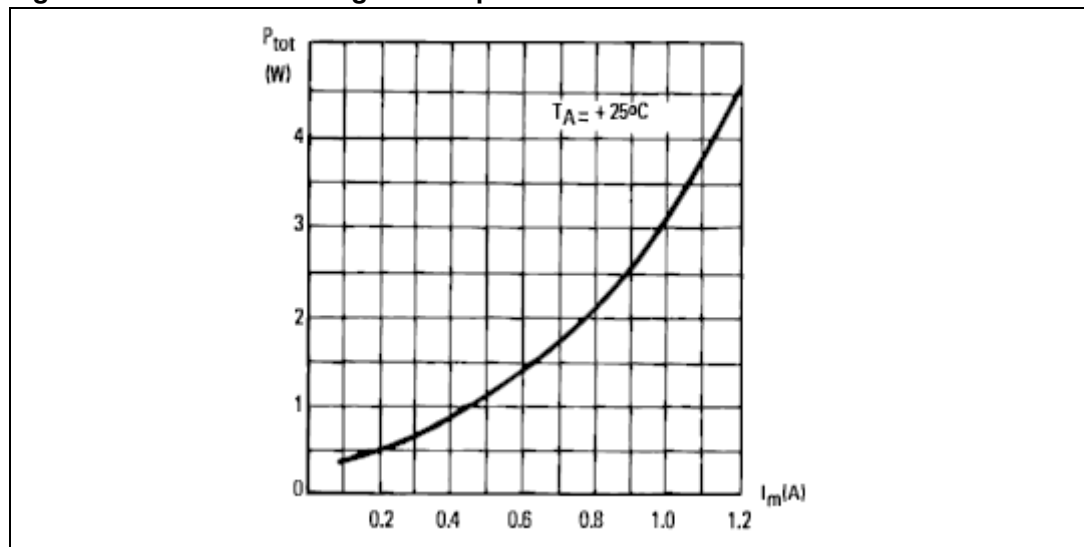
The circuit stands any order of turn-on or turn-off the supply voltages V_{SS} and V_S . Normal dV/dt values are then assumed.

Preferably, V_R should track V_{SS} during power on and power off if V_S is established.

5.7 Analog control

The current levels can be varied continuously if V_R is varied with a circuit varying the voltage on the comparator terminal.

Figure 21. Power losses against output current



6 Application notes

6.1 Motor selection

Some stepper motors are not designed for continuous operation at maximum current. As the circuit drives a constant current through the motor, its temperature might increase excessively both at low and high speed operation.

Also, some stepper motors have such high core losses that they are not suited for switch mode current regulation.

6.2 Unused inputs

Unused inputs should be connected to proper voltage levels in order to get the highest noise immunity.

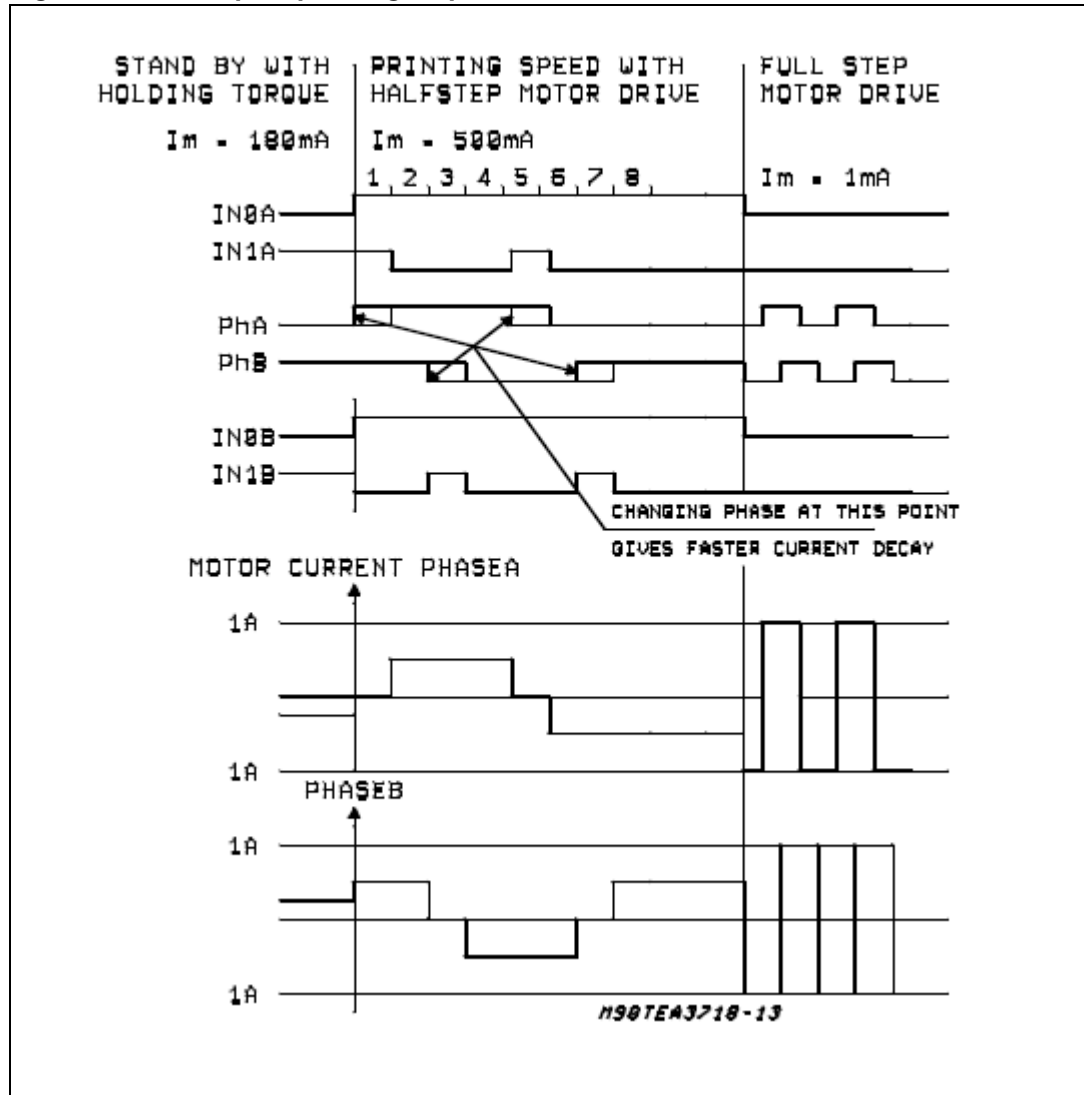
6.3 Interference

As the circuit operates with switch mode current regulation, interference generation problems might arise in some applications. A good measure might then be to decouple the circuit with a 15 nF ceramic capacitor, located near the package between power

line V_S and ground. The ground lead between R_S , C_C and circuit GND should be kept as short as possible. This applies also to the lead between the sensing resistor R_S and point S. See [Section 4: Functional blocks](#).

6.4 Operating sequence

Figure 22. Principal operating sequence



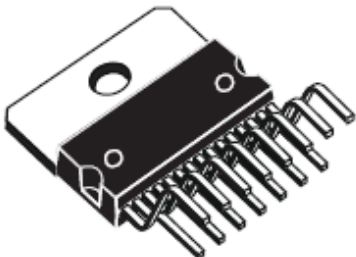
7 Package mechanical data

In order to meet environmental requirements, ST offers these devices in different grades of ECOPACK® packages, depending on their level of environmental compliance. ECOPACK® specifications, grade definitions and product status are available at: www.st.com. ECOPACK® is an ST trademark.

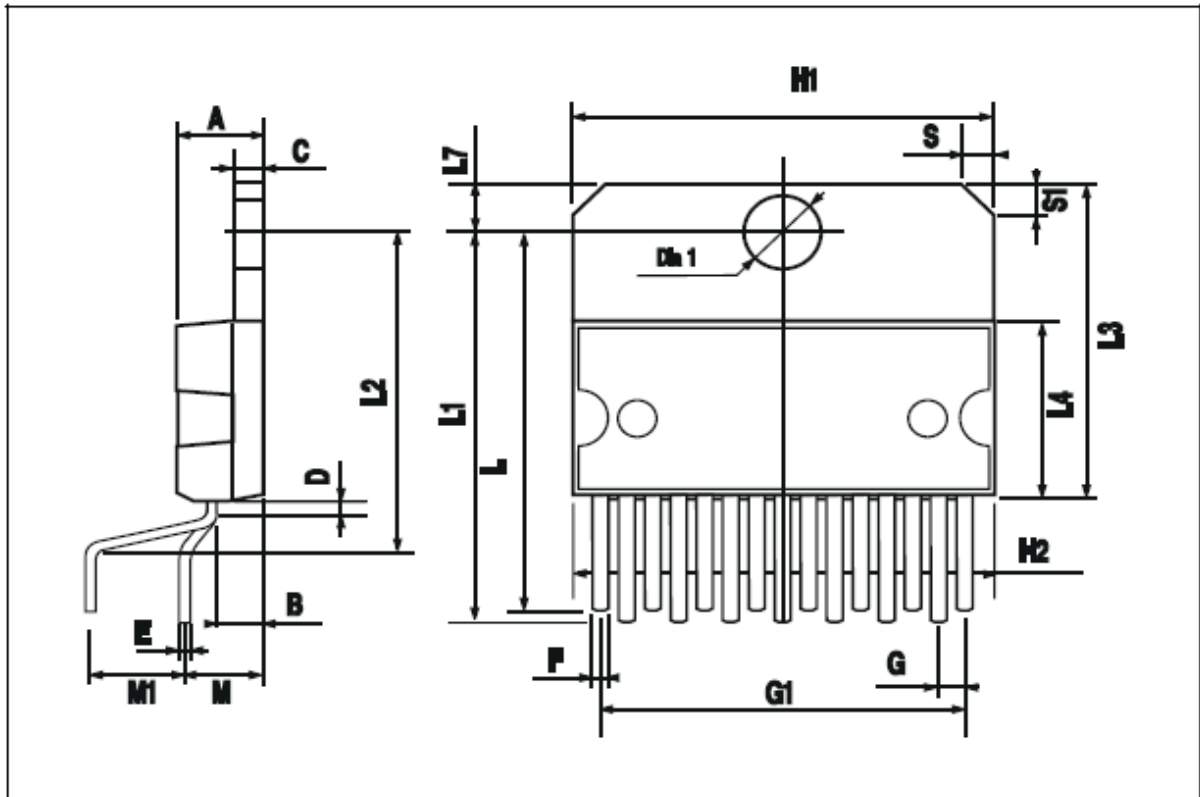
Package mechanical data

DIM.	mm			inch		
	MIN.	TYP.	MAX.	MIN.	TYP.	MAX.
A			5			0.197
B			2.65			0.104
C			1.6			0.063
D		1			0.039	
E	0.49		0.55	0.019		0.022
F	0.66		0.75	0.026		0.030
G	1.02	1.27	1.52	0.040	0.050	0.060
G1	17.53	17.78	18.03	0.690	0.700	0.710
H1	19.6			0.772		
H2			20.2			0.795
L	21.9	22.2	22.5	0.862	0.874	0.886
L1	21.7	22.1	22.5	0.854	0.870	0.886
L2	17.65		18.1	0.695		0.713
L3	17.25	17.5	17.75	0.679	0.689	0.699
L4	10.3	10.7	10.9	0.406	0.421	0.429
L7	2.65		2.9	0.104		0.114
M	4.25	4.55	4.85	0.167	0.179	0.191
M1	4.63	5.08	5.53	0.182	0.200	0.218
S	1.9		2.6	0.075		0.102
S1	1.9		2.6	0.075		0.102
Dia1	3.65		3.85	0.144		0.152

OUTLINE AND MECHANICAL DATA

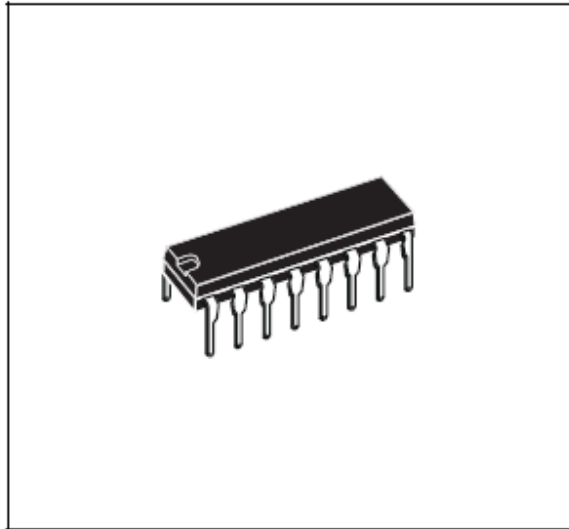


Multiwatt15 V

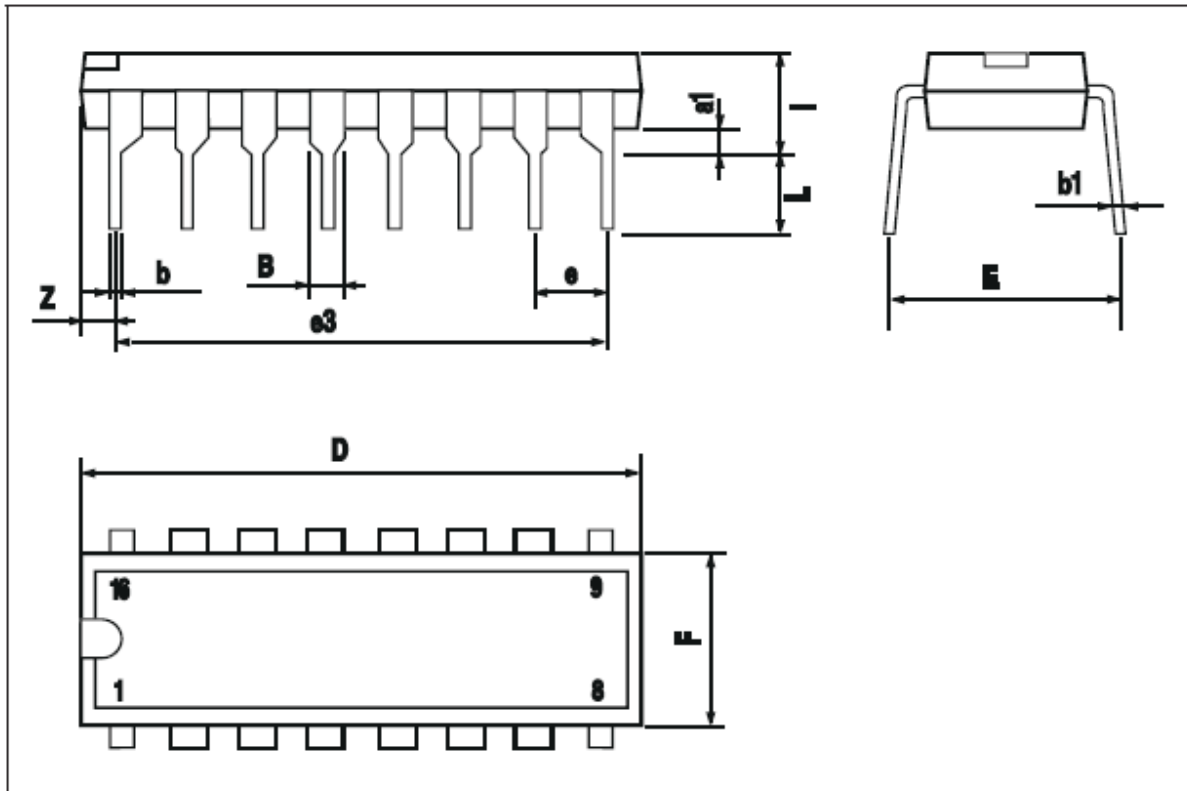


DIM.	mm			inch		
	MIN.	TYP.	MAX.	MIN.	TYP.	MAX.
a1	0.51			0.020		
B	0.85		1.40	0.033		0.055
b		0.50			0.020	
b1	0.38		0.50	0.015		0.020
D			20.0			0.787
E		8.80			0.346	
e		2.54			0.100	
e3		17.78			0.700	
F			7.10			0.280
I			5.10			0.201
L		3.30			0.130	
Z			1.27			0.050

OUTLINE AND MECHANICAL DATA



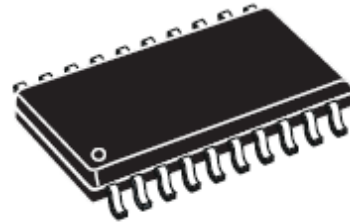
Powerdip 16



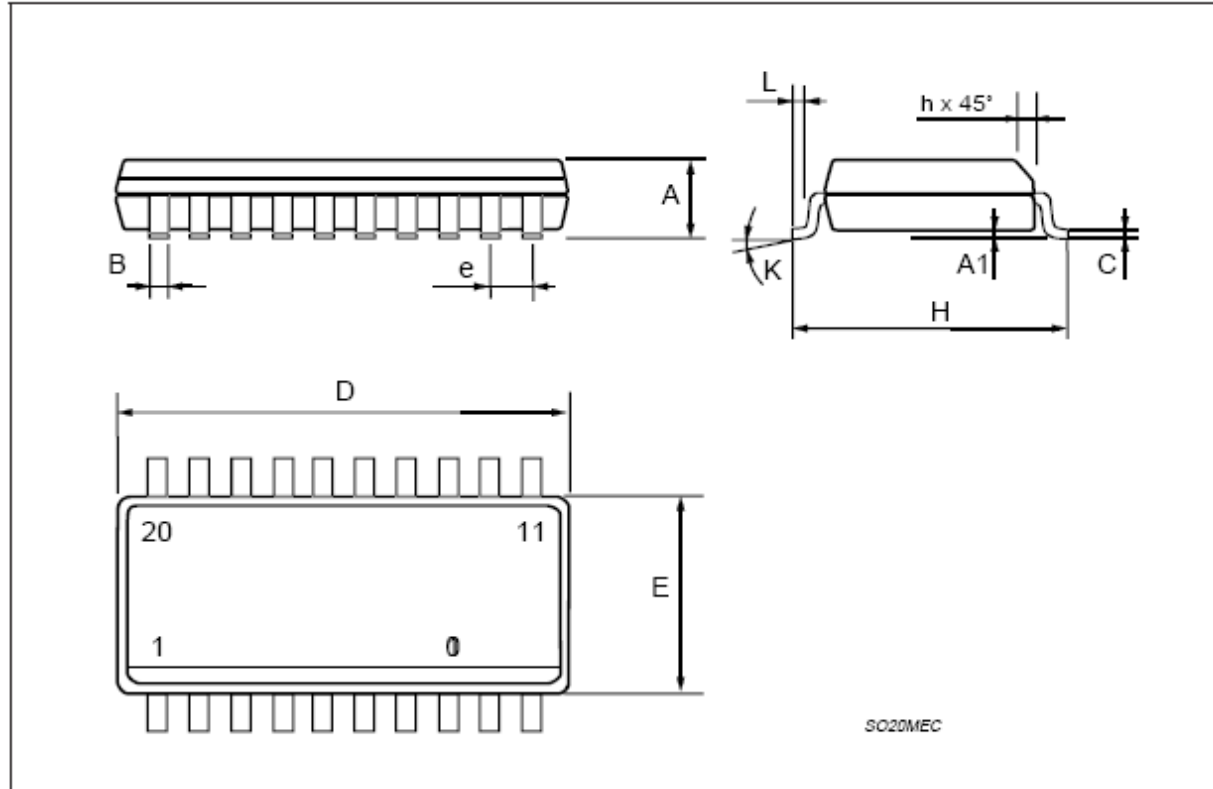
Package mechanical data

DIM.	mm			inch		
	MIN.	TYP.	MAX.	MIN.	TYP.	MAX.
A	2.35		2.65	0.093		0.104
A1	0.1		0.3	0.004		0.012
B	0.33		0.51	0.013		0.020
C	0.23		0.32	0.009		0.013
D	12.6		13	0.496		0.512
E	7.4		7.6	0.291		0.299
e		1.27			0.050	
H	10		10.65	0.394		0.419
h	0.25		0.75	0.010		0.030
L	0.4		1.27	0.016		0.050
K	0° (min.)8° (max.)					

OUTLINE AND MECHANICAL DATA



SO20



Revision history

Table 9. Document revision history

Date	Revision	Changes
24-Jan-2006	1	Initial release.
21-Jan-2009	2	Document reformatted. Added <i>Figure 1</i> .