

**CHEMINAX**

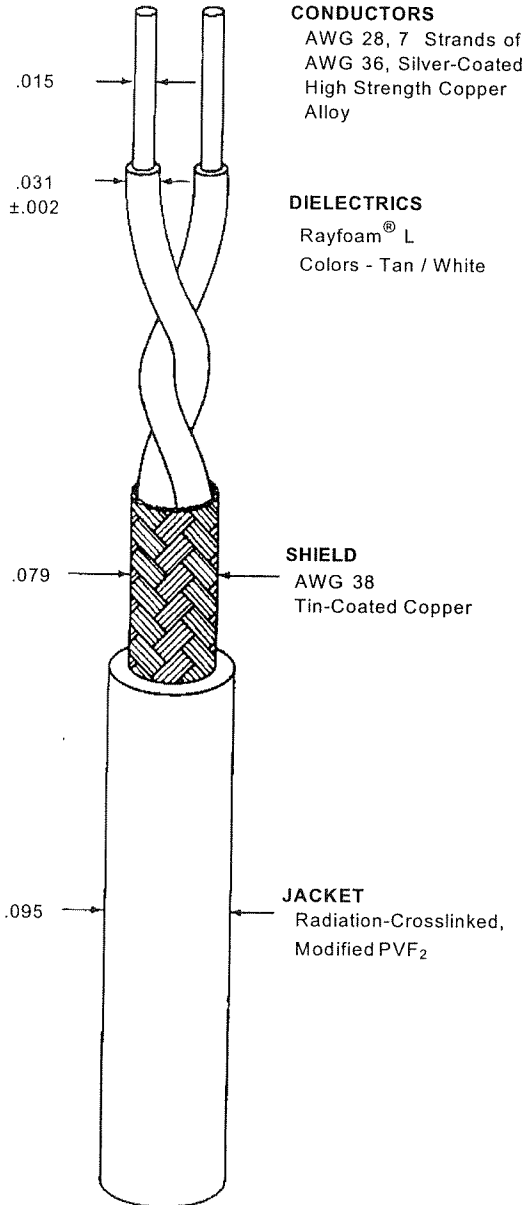
100 OHM, AWG 28, RADIO FREQUENCY,  
7 STRANDS OF AWG 36, TWIN CONDUCTOR CABLE

Date: 01-11-02  
Revision:

THIS SPECIFICATION SHEET FORMS A PART OF THE LATEST ISSUE OF RAYCHEM SPECIFICATION 1200.

**CONSTRUCTION DETAILS**

DIMENSIONS ARE NOMINAL VALUES IN INCHES UNLESS OTHERWISE DESIGNATED.



**CONDUCTORS**  
AWG 28, 7 Strands of  
AWG 36, Silver-Coated  
High Strength Copper  
Alloy

**DIELECTRICS**  
Rayfoam<sup>®</sup> L  
Colors - Tan / White

**SHIELD**  
AWG 38  
Tin-Coated Copper

**JACKET**  
Radiation-Crosslinked,  
Modified PVF<sub>2</sub>

**ELECTRICAL CHARACTERISTICS**

|                          |                                 |
|--------------------------|---------------------------------|
| CHARACTERISTIC IMPEDANCE | 100 ± 5 ohms, Method C at 1 MHz |
| CAPACITANCE - MUTUAL     | 14.9 pF/ft. (nominal)           |
| VELOCITY OF PROPAGATION  | 73% (nominal)                   |

**ADDITIONAL REQUIREMENTS**

**ELECTRICAL**

|                                   |  |
|-----------------------------------|--|
| CONDUCTOR RESISTANCE              | 74.0 ohms/1000 ft. (nominal)             |
| INSULATION RESISTANCE             | 10,000 megohms (minimum)<br>for 1000 ft. |
| JACKET FLAWS                      |  |
| SPARK TEST                        | 1.0 kv (rms)                             |
| IMPULSE TEST                      | 6.0 kV (peak)                            |
| VOLTAGE WITHSTAND<br>(DIELECTRIC) | 1000 volts (rms) (minimum)               |

**ENVIRONMENTAL**

|   |                            |
|---|----------------------------|
| FLAMMABILITY                              | Method B                   |
| HEAT SHOCK                                | 225°C                      |
| LOW TEMPERATURE-<br>COLD BEND             | -55°C/2.75 inch mandrel    |
| VOLTAGE WITHSTAND<br>(POST ENVIRONMENTAL) | 1000 volts (rms), 1 minute |

**PHYSICAL**

|   |                                    |
|---|------------------------------------|
| INSULATION (DIELECTRIC)<br>(Prior to Cabling) |                                    |
| ELONGATION                                    | 50% (minimum)                      |
| TENSILE STRENGTH                              | 1000 lbf/in <sup>2</sup> (minimum) |
| JACKET  |                                    |
| ELONGATION                                    | 200% (minimum)                     |
| TENSILE STRENGTH                              | 4000 lbf/in <sup>2</sup> (minimum) |
| JACKET THICKNESS                              | .008 inch (nominal)                |
| SHIELD COVERAGE                               | 90% (minimum)                      |

WEIGHT

6.4 lbs/1000 ft. (nominal)

Outer jacket will be white (designated by a "-9" appended to the part number, e.g., 0028G1214-9) unless otherwise specified.

Designate outer jacket color with a dash number in accordance with MIL-STD-681.

**Raychem**

300 Constitution Drive  
Menlo Park, California 94025  
1-800-2 Raychem Fax: 1-650-361-6297

THIS SPECIFICATION SHEET TAKES PRECEDENCE OVER DOCUMENTS REFERENCED HEREIN. REFERENCE DOCUMENTS SHALL BE OF THE ISSUE IN EFFECT ON DATE OF INVITATION FOR BID.