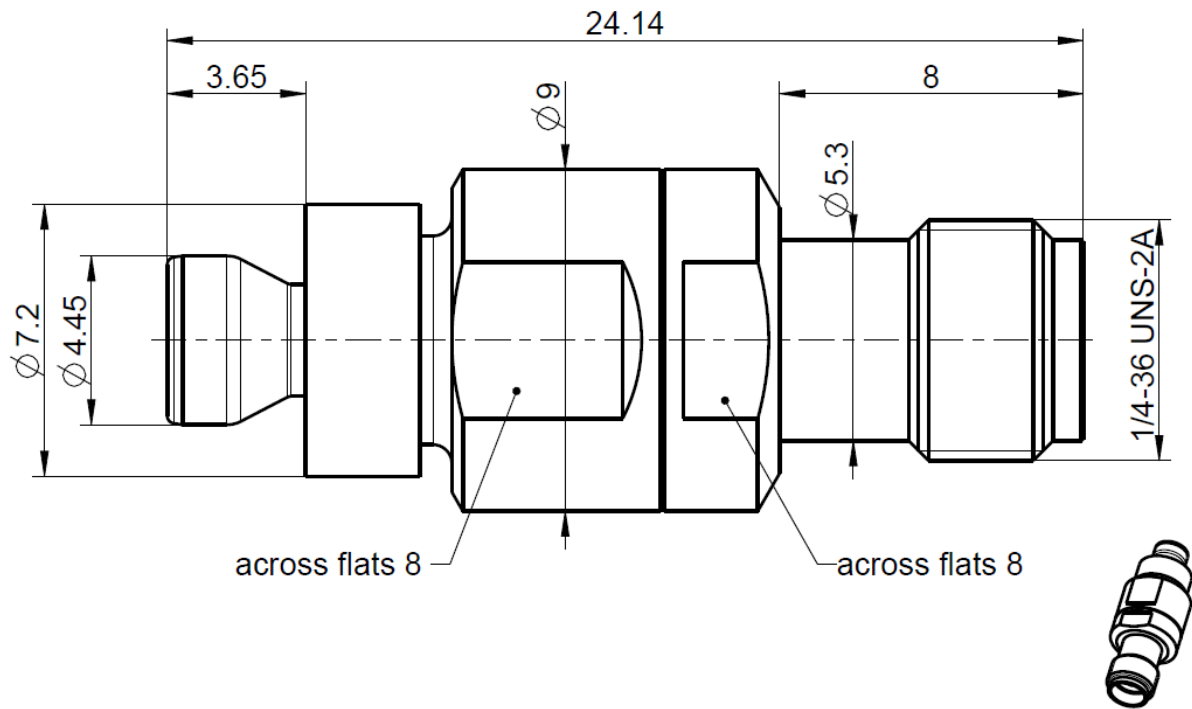


EBC

Adaptor
EBC male – SMA female

EBCS132-K00N1



All dimensions are in mm; tolerances acc. to ISO 2768 m-H

Interface

According to	EBC-side:	Rosenberger EBC
	SMA side:	IEC 60169-15; EN 122110; MIL-STD-348

Documents

Application note	EBC
------------------	-----

Material and plating

Connector parts

Center contact
Outer contact EBC
Outer contact SMA
Dielectric

Material

CuBe or equiv.
Brass
Brass
PTFE

Plating

Silver, 3-6 μ m
Flash white bronze over silver(e.g. Optargen®)
AuroDur®, gold plated

Dieses Dokument ist urheberrechtlich geschützt • This document is protected by copyright • Rosenberger Hochfrequenztechnik GmbH & Co. KG

RF_35/09.14/6.2

Electrical data

Impedance	50 Ω
Frequency	DC to 10 GHz
Return loss	≥ 26 dB @ DC to 6 GHz*
Insertion loss	≤ 0.05 x √f [GHz] dB
Insulation resistance	≥ 5 GΩ
Center contact resistance	≤ 10 mΩ
Outer contact resistance	≤ 5 mΩ
Test voltage (at sea level)	500 V rms
Working voltage (at sea level)	335 V rms
Power handling (sea level, VSWR 1.0)	100 W @ 2.2 GHz @ 25°C
Contact Current	≤ 2A DC
Screening attenuation – Interface only	≥ 50 dB up to 4 GHz ≥ 40 dB @ 4 GHz to 6 GHz
Crosstalk – Next / Fext	≤ -70 dB @ DC to 4 GHz – B2B distance 16,8mm ≤ -60 dB @ 4 GHz to 6 GHz – B2B distance 16,8mm
Intermodulation (3 rd order)	≥ 160 dBc (2 x 43 dBm)

- Connector only, VSWR in application depends decisive on PCB layout –
* Dependent on axial misalignment

Mechanical data

	EBC side	SMA side
Mating cycles	≥ 100	≥ 100
Center contact captivation	≥ 7 N	≥ 27 N
Engagement force EBC LD	13 N < F < 35 N	
Disengagement force EBC LD	3 N < F < 9 N	
Radial misalignment	± 0.7 mm / max. 4°	

Environmental data

Temperature range	-55 °C to +105 °C
Thermal shock	MIL-STD-202, Method 107, Condition B
Moisture resistance	MIL-STD-202, Method 106
Vibration	MIL-STD-202, Method 204, Condition B
Shock	MIL-STD-202, Method 213, Condition A
RoHS	compliant

Weight

Weight	4.95g / pce
--------	-------------

While the information has been carefully compiled to the best of our knowledge, nothing is intended as representation or warranty on our part and no statement herein shall be construed as recommendation to infringe existing patents. In the effort to improve our products, we reserve the right to make changes judged to be necessary.

For the installation of the electrotechnical equipment, particular electrotechnical expertise is required.



Draft	Date	Approved	Date	Rev.	Engineering change number	Name	Date
T_Höher	26.04.18	B. Aicher	11.04.22	a00	22-s100	Tobi Stadler	11.04.22

Rosenberger Hochfrequenztechnik GmbH & Co. KG P.O.Box 1260 D-84526 Tittmoning Germany www.rosenberger.de					Tel. : +49 8684 18-0 Email : info@rosenberger.de		Page 2 / 2
--	--	--	--	--	--	--	---------------