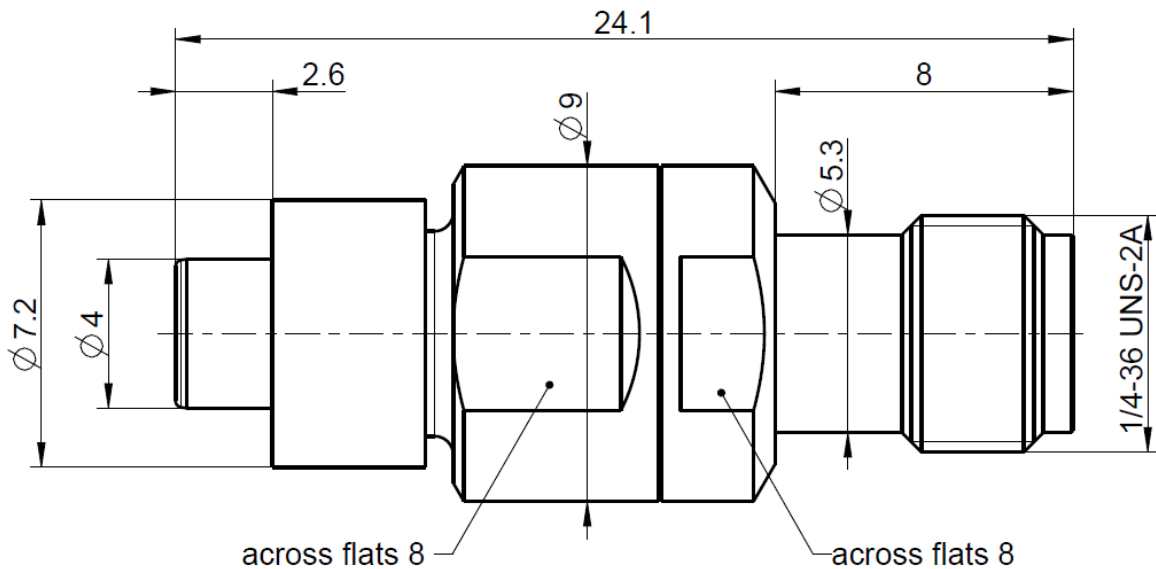


EBC

Adaptor
EBC male – SMA female

EBCS132-K01N1



All dimensions are in mm; tolerances acc. to ISO 2768 m-H

Interface

According to EBC-side: Rosenberger EBC
SMA side: IEC 60169-15; EN 122110; MIL-STD-348

Documents

Application note EBC

Material and plating

Connector parts

Center contact
Outer contact EBC
Outer contact SMA
Dielectric

Material

CuBe or equiv.
Brass
Brass
PTFE

Plating

Silver, 3-6 μm
Flash white bronze over silver(e.g. Optargen®)
AuroDur®, gold plated

Dieses Dokument ist urheberrechtlich geschützt • This document is protected by copyright • Rosenberger Hochfrequenztechnik GmbH & Co. KG

RF_35/09_14/6.2

EBC

Adaptor
EBC male – SMA female

EBCS132-K01N1

Electrical data

Impedance	50 Ω
Frequency	DC to 8 GHz
Return loss	≥ 26 dB @ DC to 6 GHz* (tbd)
Insertion loss	≤ 0.03 x √f [GHz] dB (tbd)
Insulation resistance	≥ 5 GΩ (tbd)
Center contact resistance	≤ 10 mΩ (tbd)
Outer contact resistance	≤ 5 mΩ (tbd)
Test voltage (at sea level)	500 V rms (tbd)
Working voltage (at sea level)	335 V rms (tbd)
Power handling (sea level, VSWR 1.0)	100 W @ 2.2 GHz @ 25°C (tbd)
Contact Current	≤ 2A DC (tbd)
RF leakage – Interface only	≥ 50 dB up to 4 GHz (tbd)
Crosstalk – Next / Fext	≥ 70 dB up to 4 GHz (tbd)
Intermodulation (3 rd order)	≥ 160 dBc (2 x 43 dBm) (tbd)

Mechanical data

	EBC side	SMA side
Mating cycles	≥ 100 (tbd)	≥100
Center contact captivation	≥ 7 N	≥27 N
Disengagement force EBC side	Δ 3N - 5N (between Limited Detent and Smooth Bore) (tbd)	
Working range	1.6 mm (± 0.8 mm)	
Radial misalignment	4°	

Environmental data

Temperature range	-55 °C to +125 °C
Thermal shock	MIL-STD-202, Method 107, Condition B
Climatic category	IEC 61169-1, Sub-clause 9.4.5 (+155 °C, 250 hours) (tbd)
Moisture resistance	MIL-STD-202, Method 106
Vibration	MIL-STD-202, Method 204, Condition B
Shock	MIL-STD-202, Method 213, Condition A
RoHS	compliant

Weight

Weight	5.10g/pce
--------	-----------

While the information has been carefully compiled to the best of our knowledge, nothing is intended as representation or warranty on our part and no statement herein shall be construed as recommendation to infringe existing patents. In the effort to improve our products, we reserve the right to make changes judged to be necessary.

Draft	Date	Approved	Date	Rev.	Engineering change number	Name	Date
B_Aicher	12.06.18	M. Schmid	13.06.22	400	22-0004	M. Schmid	13.06.22

Rosenberger Hochfrequenztechnik GmbH & Co. KG P.O.Box 1260 D-84526 Tittmoning Germany www.rosenberger.de					Tel. : +49 8684 18-0 Email : info@rosenberger.de		Page 2 / 2
--	--	--	--	--	--	--	---------------