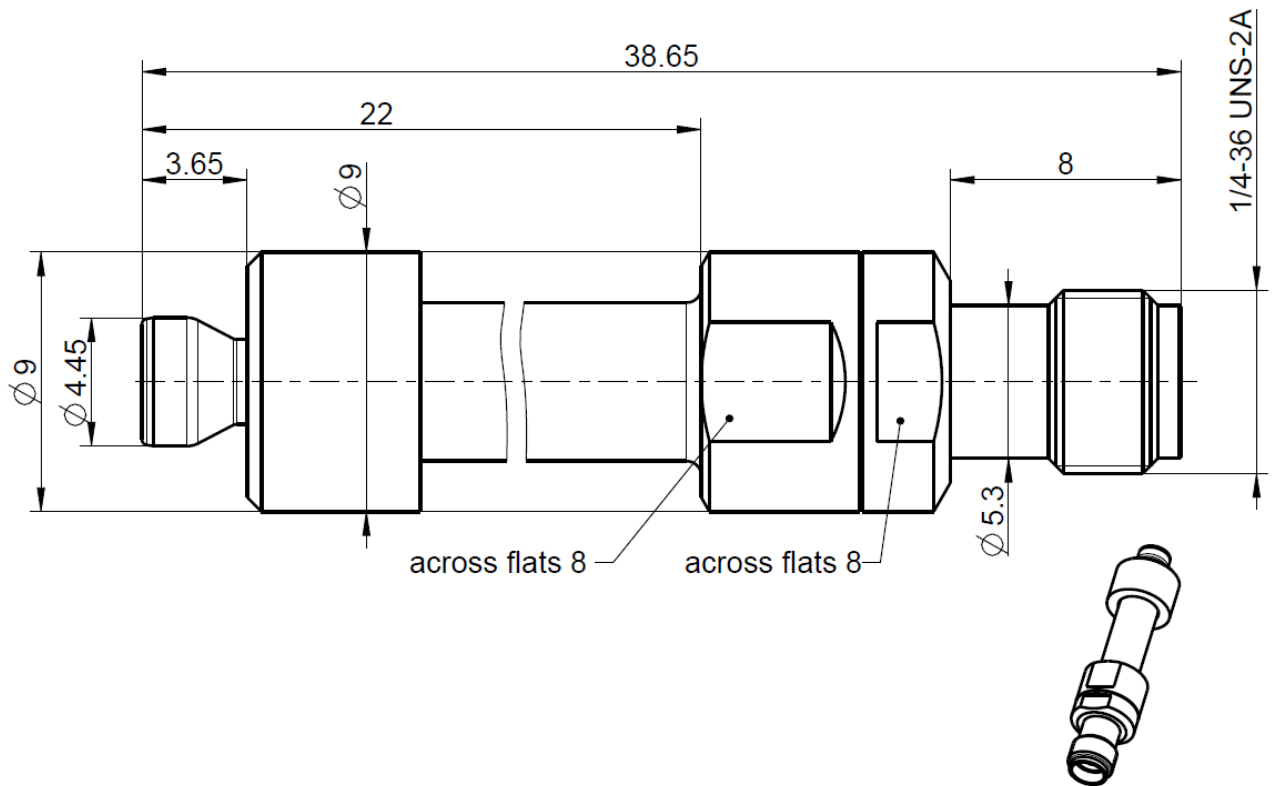


EBC

Adaptor
EBC male – SMA female

EBCS132-K02N5



All dimensions are in mm; tolerances acc. to ISO 2768 m-H

Interface

According to	EBC-side:	Rosenberger EBC
	SMA side:	IEC 60169-15; EN 122110; MIL-STD-348

Documents

Application note	EBC
------------------	-----

Material and plating

Connector parts

Center contact
Outer contact EBC
Outer contact SMA
Dielectric

Material

CuBe or equiv.
Brass
Brass
PTFE

Plating

AuroDur®, gold plated
Flash white bronze over silver(e.g. Optargen®)
AuroDur®, gold plated

Dieses Dokument ist urheberrechtlich geschützt • This document is protected by copyright • Rosenberger Hochfrequenztechnik GmbH & Co. KG

Technical Data Sheet

Rosenberger

EBC

Adaptor
EBC male – SMA female

EBCS132-K02N5

Electrical data

Impedance	50 Ω
Frequency	DC to 8 GHz
Return loss	≥ 26 dB @ DC to 6 GHz ¹⁾
Insertion loss	≤ 0.05 x $\sqrt{f \text{ [GHz]}}$ dB
Insulation resistance	≥ 5 GΩ
Center contact resistance	≤ 10 mΩ
Outer contact resistance	≤ 5 mΩ
Test voltage (at sea level)	500 V rms
Working voltage (at sea level)	335 V rms
Power handling (sea level, VSWR 1.0)	100 W @ 2.2 GHz @ 25°C ²⁾
Contact Current	≤ 2A DC
RF leakage – Interface only	≥ 50 dB up to 4 GHz
Crosstalk – Next / Fext	≥ 70 dB up to 4 GHz
Intermodulation (3 rd order)	≥ 140 dBc (2 x 43 dBm)

- Connector only, VSWR in application depends decisive on PCB layout –

1) Dependent on axial misalignment

2) Power value is dominated by the application

Mechanical data

	EBC side	SMA side
Mating cycles	≥ 100	≥ 100
Center contact captivation	≥ 7 N	≥ 27 N
Disengagement force EBC side	Δ 3N - 5N (between Limited Detent and Smooth Bore)	
Working range	1.6 mm (± 0.8 mm)	
Radial misalignment	4°	

Environmental data

Temperature range	-55 °C to +125 °C
Thermal shock	MIL-STD-202, Method 107, Condition B
Climatic category	IEC 61169-1, Sub-clause 9.4.5 (+155 °C, 250 hours) (tbd)
Moisture resistance	MIL-STD-202, Method 106
Vibration	MIL-STD-202, Method 204, Condition B
Shock	MIL-STD-202, Method 213, Condition A
RoHS	compliant

Weight

Weight	8g / pcs
--------	----------

While the information has been carefully compiled to the best of our knowledge, nothing is intended as representation or warranty on our part and no statement herein shall be construed as recommendation to infringe existing patents. In the effort to improve our products, we reserve the right to make changes judged to be necessary.

For the installation of the electrotechnical equipment, particular electrotechnical expertise is required.



Draft	Date	Approved	Date	Rev.	Engineering change number	Name	Date
B_Aicher	10.07.18	B_Aicher	25.10.21	b00	21-2038	Tobias Stadler	25.10.21
Rosenberger Hochfrequenztechnik GmbH & Co. KG P.O.Box 1260 D-84526 Tittmoning Germany www.rosenberger.de						Tel. : +49 8684 18-0 Email : info@rosenberger.de	
						Page 2 / 2	