



- Microprocessor driven system
- Independent entry/exit counters
- 20 ft. detection range across doorway
- Resettable 4-digit digital counter (up to 9999)
- Distinctive entry/exit chime sound
- Electrically erasable memory (EEPROM)
- Selectable detection range 10 ft. min., 20 ft. max.
- Chime volume control
- Expandable using additional chimes (CM-4)
- Door bell feature using optional call button (AES-1)

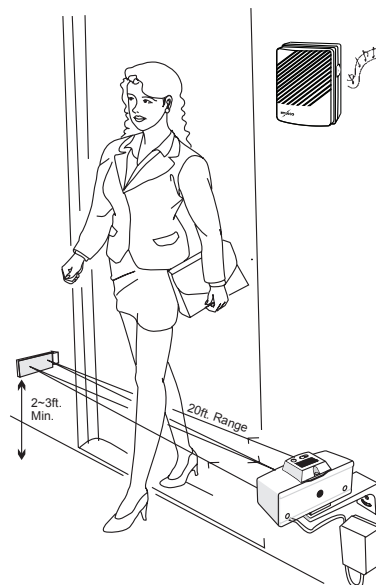
Stock number :4130015

The EBP-407C annunciator system is designed with a superior dual-counter, dual-active, infrared technology. The invisible infrared beam is designed to trigger a pleasant chime sound. The infrared signal differentiates among entry and exit. The dual entry/exit counter registers a count any time the beams are interrupted. Each event is counted, recorded, and registered by the built-in digital counter, and can be viewed and compared later in entry/exit modes.

### Complete Kit Includes:

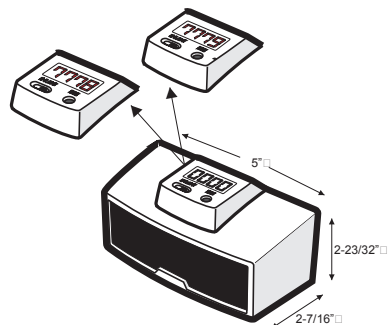
- 1 Infrared beam sensor with dual counters
- 1 Electronic chime with volume chime
- 1 Reflector
- 1 Power transformer (XF-1220 UL/CSA approved)
- 1 Long plastic bracket
- 1 Metal short bracket
- 2 Short plastic brackets
- 1 6 ft. power cord with in-line switch
- 1 26 ft. 4-conductor chime wire (AWG #24)
- 2 Screws for mounting chime
- 4 Screws for securing mounting brackets
- 1 3/8" bolt with locking washer to secure infrared beam sensor

### Application

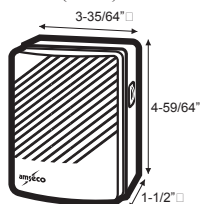


### Dimensions: inches (mm)

Infrared Beam Sensor (EBPT-407)



Electronic Chime (CM-4)



# EBP-407C

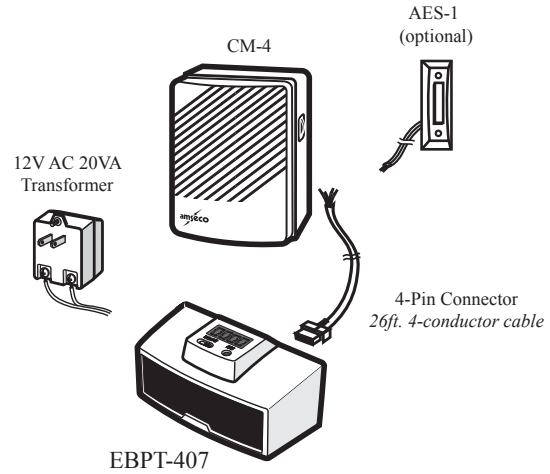
## DOOR ANNUNCIATOR SYSTEM

### Specifications

Model	EBP-407	CM-4
Description	Infrared Transceiver	Electronic Chime
Detection Method	Active Infrared	-
Detection Range	10 ft. JP2 = ON 20 ft. JP2 = OFF (f.s.)	-
Entry Detection Mode	SW1 Selective right or left entry (f.s.: left)	-
Blocked Infrared Beam Warning	JP1 Selective 10 sec/60 sec/OFF (f.s.: 10 sec)	-
Chime Sound dB Output	-	0-85dB
Light Source	Infrared Pulse Beam 950nm	-
Terminal (-)	Ground Output	Ground Output
Terminal (+)	12V DC 1A Output	12V DC Input
Terminal (OC)	Exit Output (-) TR Output 1A	Exit Signal Input
Terminal (IC)	Entry Output (-) TR Output 1A	Entry Signal Input
Wiring Distance Between Transceiver and Chime	-	100 ft - AWG#22 164 ft - AWG#20 262 ft - AWG#18
Power Consumption (Standby)	80mA (AC)	17mA (DC)
Power Consumption (In Activation)	1 Amp (AC)	300mA (DC)
Power Input	12V AC/20 VA	12V DC/10 VA
Installation	Indoor	Indoor
Operating Temperature Range	14 - 140°F (-10 - 60°C)	14 - 140°F (-10 - 60°C)

f.s. = Factory Setting

### Installation



### Wiring Diagram

