

Compact and highly reliable type available in many varieties



### Typical Specifications

Items	Specifications
Output signal	Two phase of A, B Self-return switch (EC111 / EC11E0B)
Rating	10mA 5V DC
Operating life	15,000 cycles 100,000 cycles (EC11K / EC11J)
Operating temperature range	-40°C to +85°C

### Product Line

Structure	Shaft configuration	Length of the shaft (mm)	Torque (mN·m)	Number of detent	Number of pulse	Push-on switch	Travel of push-on switch (mm)	Operating life (cycles)	Minimum order unit (pcs.)		Product No.	Drawing No.						
									Japan	Export								
Horizontal	Flat	20	12±7	30	15	Without	—	15,000	700	1,400	EC11B15202AN	1						
						With	0.5				EC11B15242AZ	2						
							1.5				EC11B15242B1	3						
Vertical	Flat	20	10±7	18	9	Without	—	15,000	1,200	2,400	EC11E09204A4	4						
				30	15						EC11E15204A3							
				36	18						EC11E1820402							
				18	9						EC11E09244BS							
				30	15						EC11E15244G1							
				7 ± <sub>3</sub> / <sub>4</sub>							Without	EC11E153440D						
		10±7	36	18		EC11E18244AU												
		7 ± <sub>3</sub> / <sub>4</sub>	Without	18	With	0.5	EC11E183440C				5							
							10±7					18	9	EC11E09244AQ				
							30					15	EC11E15244B2					
		7 ± <sub>3</sub> / <sub>4</sub>	Without	15	15	1.5	EC11E1534408				5							
							10±7					36	18	EC11E18244A5				
							7 ± <sub>3</sub> / <sub>4</sub>					Without	18	EC11E1834403				
		15	10±7	30	15	15	Without				—	EC11N1520401	6					
							With				0.5	EC11N1524402	7					
1.5	EC11N1525404																	
20	Without						—	15	EC11N1520402	6								
									With	0.5	EC11N1524403	7						
1.5	EC11N1525405																	
Less shaft wobble	Serrated	25	12±7	Without	30	With	1.5	1,000	2,000	EC11G1560414	8							
			8.5±5							EC11G1574402	9							
			12±7							EC11G1564411	10							
			8.5±5							Without	EC11M1565403	9						
											EC11M1575403	10						
Vertical	Flat	20	12±5	18	9	Without	—			100,000	1,000	2,000	EC11K0920404	11				
				30	15								EC11K1520406					
				18	9								With	0.5	EC11K0924404	12		
															30		15	EC11K1524406
															18		9	EC11K0925416
															30		15	EC11K1525413

### Note

Other varieties are also available. Please inquire.

Refer to P.267 for attached parts.  
Refer to P.268 for product varieties.  
Refer to P.270 for switch specifications.  
Refer to P.299 for soldering conditions.

# EC11 1 1 mm Size Metal Shaft Type

## Product Line

Structure	Shaft configuration	Length of the shaft (mm)	Torque (mN·m)	Number of detent	Number of pulse	Push-on switch	Travel of push-on switch (mm)	Operating life (cycles)	Minimum order unit (pcs.)		Product No.	Drawing No.	
									Japan	Export			
Reflow	Flat	20	12±5 (Initial) 10±4 (After reflow)	18	9	Without	—	100,000	600	600	EC11J0920404	13	
											EC11J152040F		
						With	0.5				EC11J0924411	14	
											EC11J1524413		
							1.5				EC11J0925403		
											EC11J1525402		
Push lock	20-tooth Serrated	25	10±7	30	15	Without	—	15,000	800	1,600	EC11E152T409	15	
		26.4				With					8	EC11E152U402	16
Self-return switch	Flat	15	3 to 30	Without	Self-return switch	Without	—	15,000	1,200	2,400	EC1110120005	17	
		20				With					0.5	EC111012010H	18
						1.5					EC1110120201		
Dual-shaft	Slotted	Inner-shaft=25	10±7	30	15	Without	—	15,000	700	1,400	EC11EBB24C03	19	
		Outer-shaft=15				With					1.5		
	Flat	Inner-shaft=25	Without	—	EC11E0B2LB01	20							
	Slotted	Outer-shaft=15	3 to 30				Without				Self-return switch	Without	

### Note

Other varieties are also available. Please inquire.


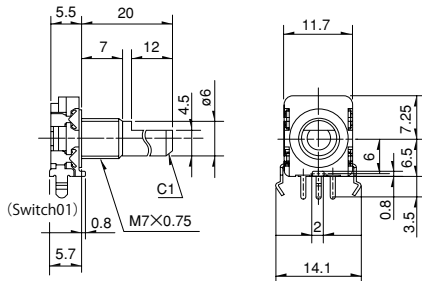
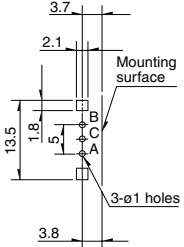

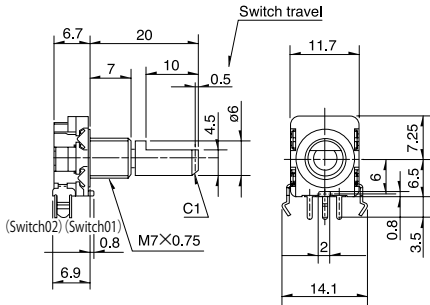
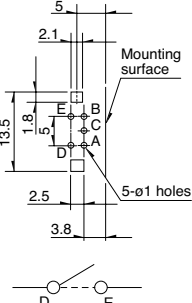

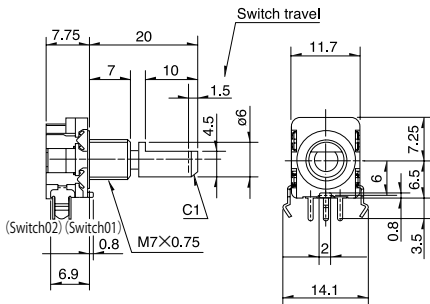
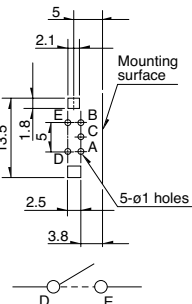

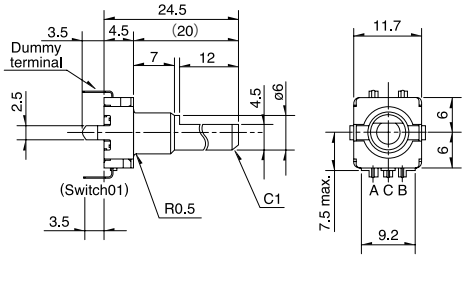
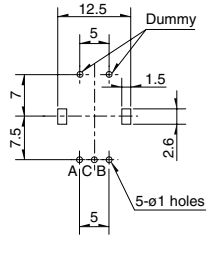

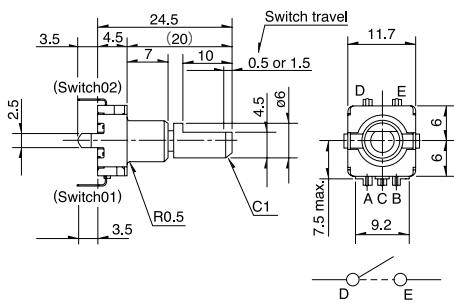
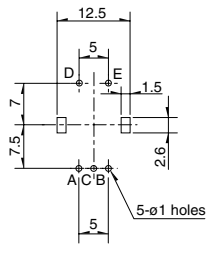
## Packing Specifications

### Tray

Product No.	Number of packages (pcs.)		Export package measurements (mm)
	1 case /Japan	1 case /export packing	
EC11B	700	1,400	524×374×201
EC11E09/15/18/EC11N	1,200	2,400	540×360×250
EC11G/EC11K/EC11M	1,000	2,000	
EC11J	600	600	369×283×263
EC11E152T/U	800	1,600	507×363×230
EC111	1,200	2,400	507×363×216
EC11E0B/BB	700	1,400	

Refer to P.267 for attached parts.  
 Refer to P.268 for product varieties.  
 Refer to P.270 for switch specifications.  
 Refer to P.299 for soldering conditions.

Dimensions

No.	Photo	Style	PC board mounting hole dimensions (Viewed from mounting side)
1	 <p><b>EC11B Horizontal</b></p>	 <p>5.5 20 7 12 4.5 0.6 (Switch01) 0.8 M7X0.75 C1 5.7 11.7 6 0.8 7.25 6.5 3.5 14.1</p>	 <p>3.7 2.1 Mounting surface 13.5 1.8 5 3-ø1 holes 3.8</p>
2	 <p><b>EC11B Horizontal with push-on switch (travel 0.5mm)</b></p>	 <p>6.7 20 7 10 0.5 0.6 (Switch02) (Switch01) 0.8 M7X0.75 C1 6.9 11.7 6 0.8 7.25 6.5 3.5 14.1 Switch travel</p>	 <p>5 2.1 Mounting surface 13.5 1.8 5 5-ø1 holes 2.5 3.8 D E</p>
3	 <p><b>EC11B Horizontal with push-on switch (travel 1.5mm)</b></p>	 <p>7.75 20 7 10 1.5 0.6 (Switch02) (Switch01) 0.8 M7X0.75 C1 6.9 11.7 6 0.8 7.25 6.5 3.5 14.1 Switch travel</p>	 <p>5 2.1 Mounting surface 13.5 1.8 5 5-ø1 holes 2.5 3.8 D E</p>
4	 <p><b>EC11E Vertical</b></p>	 <p>3.5 4.5 24.5 (20) 7 12 4.5 0.6 Dummy terminal 2.5 (Switch01) R0.5 C1 7.5 max. 11.7 6 6 9.2</p>	 <p>12.5 Dummy 5 1.5 7.5 7 2.6 5-ø1 holes 5</p>
5	 <p><b>EC11E Vertical with push-on switch (travel 0.5mm / 1.5mm)</b></p>	 <p>3.5 4.5 24.5 (20) 7 10 0.5 or 1.5 0.6 (Switch02) (Switch01) R0.5 C1 7.5 max. 11.7 6 6 9.2 Switch travel D E</p>	 <p>12.5 5 1.5 7.5 7 2.6 5-ø1 holes 5</p>

Encoders

Metal Shaft

Insulated Shaft


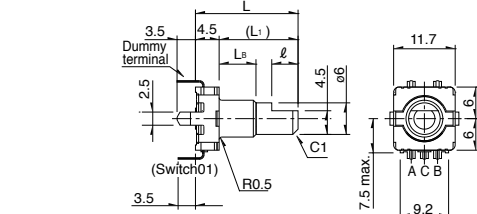
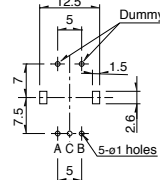

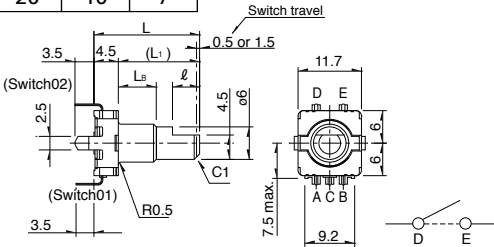
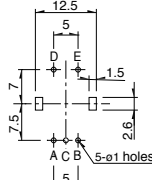

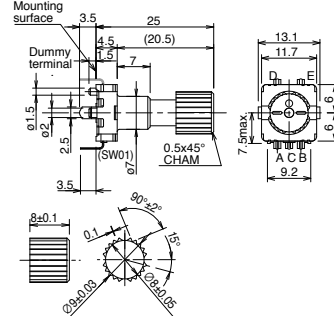
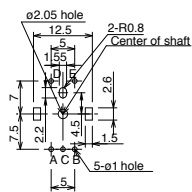

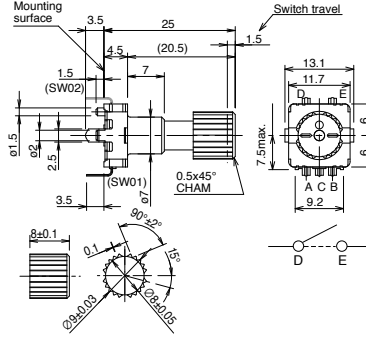
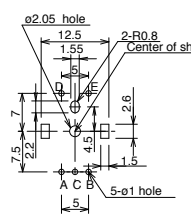
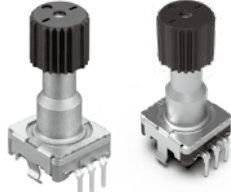
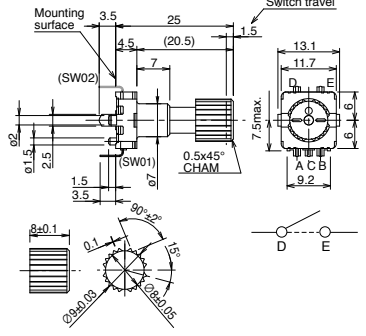
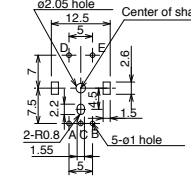
Through Shaft Type

Ring Type

# EC11 1.1 mm Size Metal Shaft Type


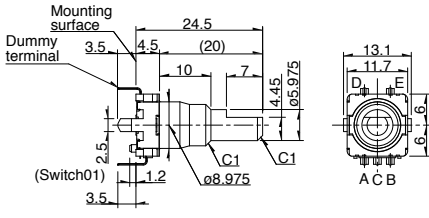
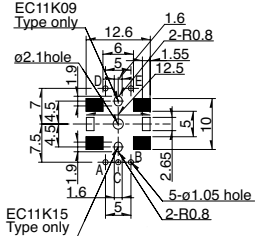

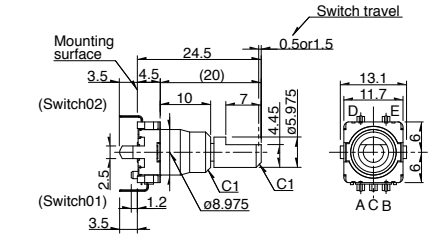
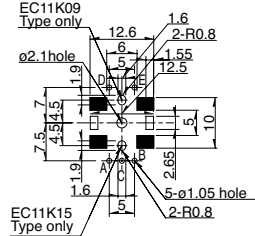

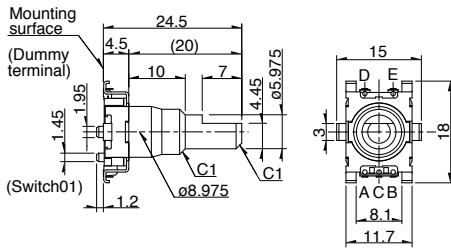
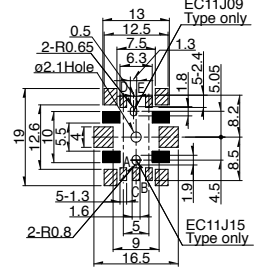

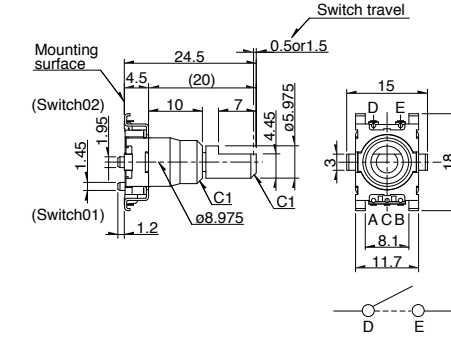
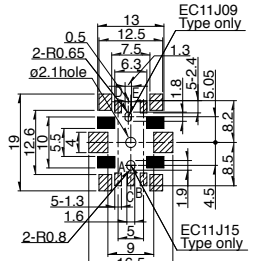

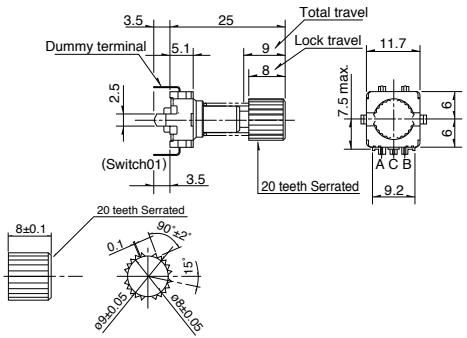
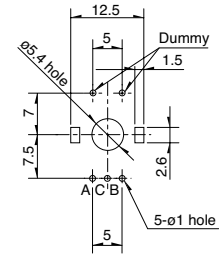
## Dimensions

Unit:mm

No.	Photo	Style	PC board mounting hole dimensions (Viewed from mounting side)												
6	<p><b>EC11N Vertical</b></p> 	<table border="1"> <thead> <tr> <th>L</th> <th>L<sub>1</sub></th> <th>L<sub>B</sub></th> <th>ℓ</th> </tr> </thead> <tbody> <tr> <td>19.5</td> <td>15</td> <td>7</td> <td>5</td> </tr> <tr> <td>24.5</td> <td>20</td> <td>10</td> <td>7</td> </tr> </tbody> </table> 	L	L <sub>1</sub>	L <sub>B</sub>	ℓ	19.5	15	7	5	24.5	20	10	7	
L	L <sub>1</sub>	L <sub>B</sub>	ℓ												
19.5	15	7	5												
24.5	20	10	7												
7	<p><b>EC11N Vertical with push-on switch (travel 0.5mm / 1.5mm)</b></p> 	<table border="1"> <thead> <tr> <th>L</th> <th>L<sub>1</sub></th> <th>L<sub>B</sub></th> <th>ℓ</th> </tr> </thead> <tbody> <tr> <td>19.5</td> <td>15</td> <td>7</td> <td>5</td> </tr> <tr> <td>24.5</td> <td>20</td> <td>10</td> <td>7</td> </tr> </tbody> </table> 	L	L <sub>1</sub>	L <sub>B</sub>	ℓ	19.5	15	7	5	24.5	20	10	7	
L	L <sub>1</sub>	L <sub>B</sub>	ℓ												
19.5	15	7	5												
24.5	20	10	7												
8	<p><b>EC11G Vertical</b></p> 														
9	<p><b>EC11G, EC11M Vertical with push-on switch (travel 1.5mm)</b></p>  <p>EC11G      EC11M</p>														
10	<p><b>EC11G, EC11M Vertical with push-on switch (travel 1.5mm)</b></p>  <p>EC11G      EC11M</p>														

Dimensions

Unit:mm


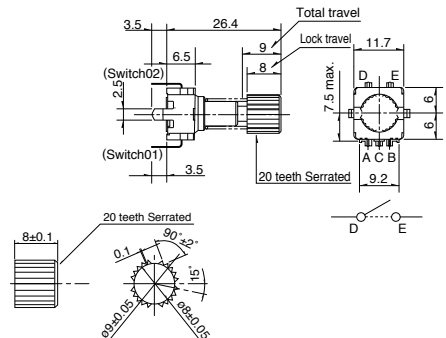
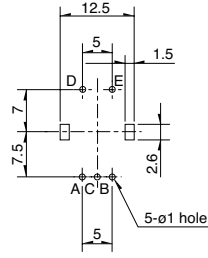

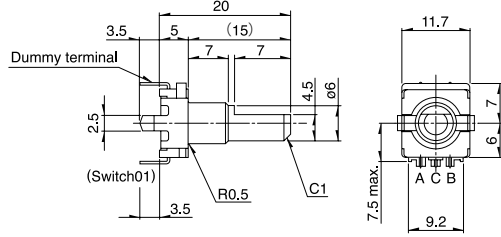
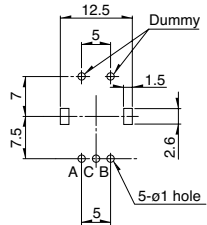

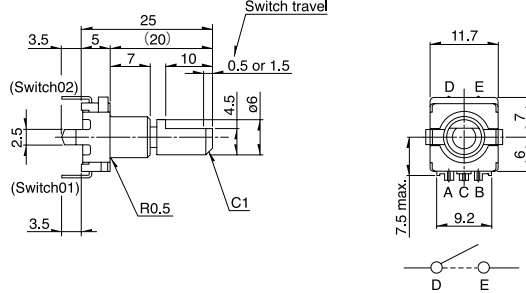
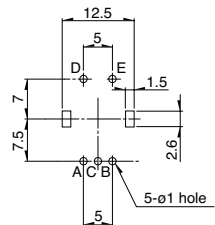

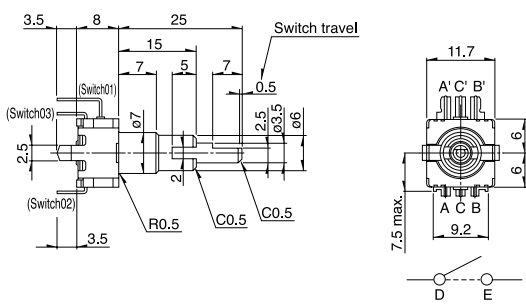
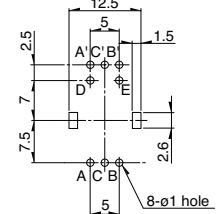

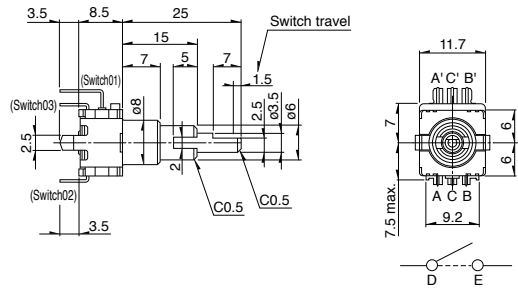
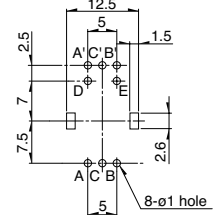
No.	Photo	形状	PC board mounting hole dimensions (Viewed from mounting side)
11			 <p>EC11K09 Type only</p> <p>EC11K15 Type only</p> <p>Black part : Do not solder and no wiring for electrical contact.</p>
12			 <p>EC11K09 Type only</p> <p>EC11K15 Type only</p> <p>Black part : Do not solder and no wiring for electrical contact.</p>
13			 <p>EC11J09 Type only</p> <p>EC11J15 Type only</p> <p>A slant line part: The solder land Black part: Do not solder and wiring for electrical contact</p>
14			 <p>EC11J09 Type only</p> <p>EC11J15 Type only</p> <p>A slant line part: The solder land Black part: Do not solder and wiring for electrical contact</p>
15			 <p>Dummy</p> <p>5-ø1 hole</p>

Encoders  
Metal Shaft  
Insulated Shaft  
Through Shaft Type  
Ring Type

# EC11 1.1 mm Size Metal Shaft Type

## Dimensions

Unit:mm

No.	Photo	Style	PC board mounting hole dimensions (Viewed from mounting side)
16	<p><b>EC11E152U</b> Push-lock mechanism with push-lock switch</p> 		
17	<p><b>EC111</b> Self-return switch</p> 		
18	<p><b>EC111</b> Self-return switch with push-on switch (travel 0.5mm / 1.5mm)</p> 		
19	<p><b>EC11E</b> Dual-shaft type with push-on switch (travel 0.5mm) Inner shaft: encoder Outer shaft: encoder</p> 		
20	<p><b>EC11E</b> Dual-shaft type with push-on switch (travel 1.5mm) Inner shaft: encoder Outer shaft: self-return switch</p> 		

Encoders

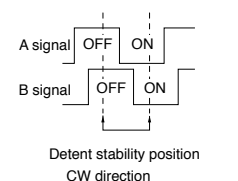
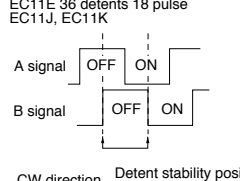
Metal Shaft

Insulated Shaft

Through Shaft Type

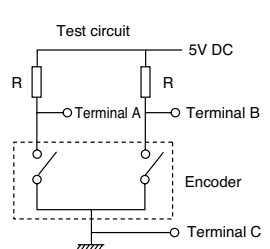
Ring Type

Output Wave

EC11B / EC11E / EC11G / EC11N / EC11M	EC11E / EC11J / EC11K
<p>EC11B, EC11E, EC11G, EC11N, EC11M 30 detents, 15 pulse</p> 	<p>Detent stability position cannot be specified for B signal</p> <p>EC11E 18 detents 9 pulse EC11E 36 detents 18 pulse EC11J, EC11K</p> 

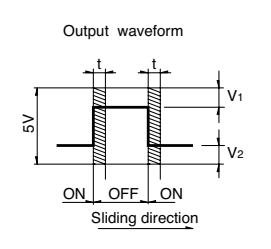
Sliding Noise

Test circuit



Measurement condition : Rotation speed 360°/s

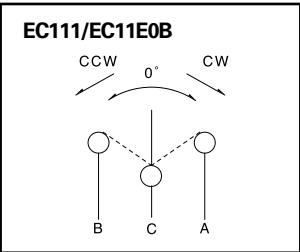
Output waveform



t : Masking time to avoid chattering

<b>EC11B</b>	$V_1=V_2=1.5V$ max. At R = 5k $\Omega$ Chattering : 2ms max. Bounce : 2ms max.
<b>EC11E/EC11G/EC11N/EC11M</b>	$V_1=V_2=1.5V$ max. At R = 5k $\Omega$ Chattering : 3ms max. Bounce : 2ms max.
<b>EC11J / EC11K</b>	$V_1=V_2=2.5V$ max. At R = 5k $\Omega$ Chattering : 3ms max. Bounce : 2ms max.

Circuit Diagram

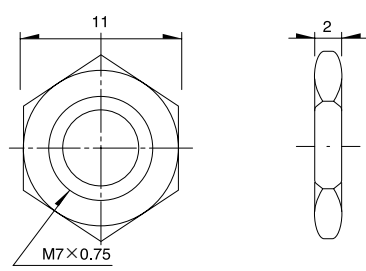
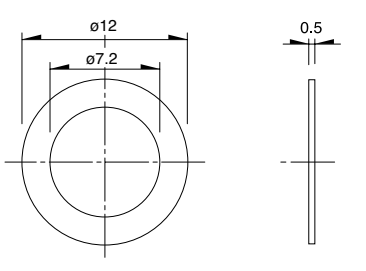


11mm Size Metal Shaft Type / Attached Parts

The following parts are included with the product.

EC11B Series

Unit:mm

Nut	Washer
	

Encoders  
Metal Shaft  
Insulated Shaft  
Through Shaft Type  
Ring Type

# 1 1 mm Size Metal Shaft Type / Product Varieties

## Shaft Dimensions

### 1. Single-shaft Type

#### 1) Serrated Type

Unit:mm

<p><b>EC11</b> Style (Shaft diameter: <math>\phi 6</math>) Not applicable for EC11E and EC11G with push-lock mechanism</p>	<p>*M7 for EC11B.</p>	<p>● Detailed dimensions</p> <table border="1"> <thead> <tr> <th>L<sub>1</sub></th> <th>L<sub>B</sub></th> <th>l<sub>1</sub></th> <th>l<sub>2</sub></th> <th>S<sub>1</sub></th> </tr> </thead> <tbody> <tr> <td>20</td> <td>7</td> <td>6</td> <td>1</td> <td>7</td> </tr> <tr> <td>25</td> <td>10</td> <td>10</td> <td>2</td> <td>11</td> </tr> </tbody> </table> <p>※ *L<sub>B</sub>=7 for EC11B.</p>	L <sub>1</sub>	L <sub>B</sub>	l <sub>1</sub>	l <sub>2</sub>	S <sub>1</sub>	20	7	6	1	7	25	10	10	2	11
L <sub>1</sub>	L <sub>B</sub>	l <sub>1</sub>	l <sub>2</sub>	S <sub>1</sub>													
20	7	6	1	7													
25	10	10	2	11													
<p><b>EC11K / EC11J</b> Style (Shaft diameter: <math>\phi 6</math>)</p>		<p>● Detailed dimensions</p> <table border="1"> <thead> <tr> <th>L<sub>1</sub></th> <th>L<sub>B</sub></th> <th>l<sub>1</sub></th> </tr> </thead> <tbody> <tr> <td>15</td> <td>7</td> <td>5</td> </tr> <tr> <td>20</td> <td>10</td> <td>6</td> </tr> </tbody> </table>	L <sub>1</sub>	L <sub>B</sub>	l <sub>1</sub>	15	7	5	20	10	6						
L <sub>1</sub>	L <sub>B</sub>	l <sub>1</sub>															
15	7	5															
20	10	6															
<p><b>EC11G</b> Style (Shaft diameter: <math>\phi 9</math>)</p>		<p>● Detailed dimensions</p> <table border="1"> <thead> <tr> <th>L</th> <th>L<sub>1</sub></th> <th>L<sub>B</sub></th> </tr> </thead> <tbody> <tr> <td>18</td> <td>13.5</td> <td>5</td> </tr> <tr> <td>25</td> <td>20.5</td> <td>7</td> </tr> <tr> <td>28</td> <td>23.5</td> <td>10</td> </tr> </tbody> </table>	L	L <sub>1</sub>	L <sub>B</sub>	18	13.5	5	25	20.5	7	28	23.5	10			
L	L <sub>1</sub>	L <sub>B</sub>															
18	13.5	5															
25	20.5	7															
28	23.5	10															

#### 2) Flat Type

Unit:mm

<p><b>EC11</b> Style (Shaft diameter: <math>\phi 6</math>)</p>	<p>*M7 for EC11B.</p>	<p>● Detailed dimensions</p> <table border="1"> <thead> <tr> <th>L<sub>1</sub></th> <th>L<sub>B</sub></th> <th>l</th> </tr> </thead> <tbody> <tr> <td>15</td> <td>5</td> <td>7</td> </tr> <tr> <td>15</td> <td>7</td> <td>5 (6)</td> </tr> <tr> <td>20</td> <td>7</td> <td>10 (12)</td> </tr> <tr> <td>25</td> <td>10</td> <td>12</td> </tr> </tbody> </table> <p>※1 Does not comply with EC111                  ※2 L<sub>B</sub>=7 for EC11B.                  Values in parentheses apply to products without push-on switch.</p>	L <sub>1</sub>	L <sub>B</sub>	l	15	5	7	15	7	5 (6)	20	7	10 (12)	25	10	12
L <sub>1</sub>	L <sub>B</sub>	l															
15	5	7															
15	7	5 (6)															
20	7	10 (12)															
25	10	12															
<p><b>EC11K / EC11J</b> Style (Shaft diameter: <math>\phi 5.975</math>)</p>		<p>● Detailed dimensions</p> <table border="1"> <thead> <tr> <th>L<sub>1</sub></th> <th>L<sub>B</sub></th> <th>l</th> </tr> </thead> <tbody> <tr> <td>15</td> <td>7</td> <td>5</td> </tr> <tr> <td>20</td> <td>10</td> <td>7</td> </tr> </tbody> </table>	L <sub>1</sub>	L <sub>B</sub>	l	15	7	5	20	10	7						
L <sub>1</sub>	L <sub>B</sub>	l															
15	7	5															
20	10	7															

### Notes

- The highlighted figures in shaft types refer to Product Specifications in P.261 and P.262.
- Other varieties are also available. Please inquire.



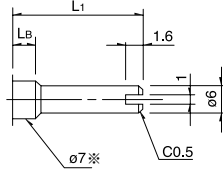
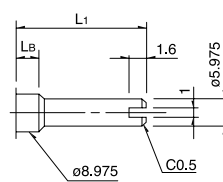
# 1 1 mm Size Metal Shaft Type / Product Varieties

## Shaft Dimensions

### 1. Single-shaft Type

#### 3) Slotted Type

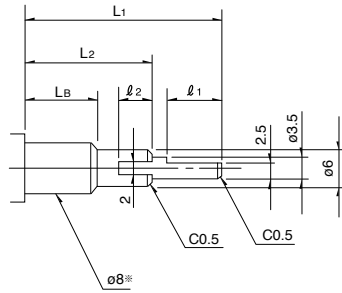
Unit:mm

<p><b>EC11</b> Style (Shaft diameter : <math>\phi 6</math>)</p>  <p>※M7 for EC11B.</p>	<p>● Detailed dimensions</p> <table border="1" data-bbox="989 353 1404 481"> <thead> <tr> <th>L<sub>1</sub></th> <th>L<sub>B</sub></th> </tr> </thead> <tbody> <tr> <td>15</td> <td>7</td> </tr> <tr> <td>20</td> <td>7</td> </tr> <tr> <td>25</td> <td>10</td> </tr> </tbody> </table> <p>※ ※L<sub>B</sub>=7 for EC11B</p>	L <sub>1</sub>	L <sub>B</sub>	15	7	20	7	25	10
L <sub>1</sub>	L <sub>B</sub>								
15	7								
20	7								
25	10								
<p><b>EC11K / EC11J</b> Style (Shaft diameter : <math>\phi 5.975</math>)</p> 	<p>● Detailed dimensions</p> <table border="1" data-bbox="989 571 1404 660"> <thead> <tr> <th>L<sub>1</sub></th> <th>L<sub>B</sub></th> </tr> </thead> <tbody> <tr> <td>15</td> <td>7</td> </tr> <tr> <td>20</td> <td>10</td> </tr> </tbody> </table>	L <sub>1</sub>	L <sub>B</sub>	15	7	20	10		
L <sub>1</sub>	L <sub>B</sub>								
15	7								
20	10								

### 2. Standard Dimensions and Configuration of Dual-shaft Type

#### Flat Type

Unit:mm

<p><b>EC11E</b> Style (Inner-shaft : <math>\phi 3.5</math> Outer-shaft : <math>\phi 6</math>)</p>  <p>※ <math>\phi 7</math> for type with inner / outer shaft encoders (EC11EBB)</p>	<p>● Detailed dimensions</p> <table border="1" data-bbox="981 929 1404 1064"> <thead> <tr> <th>L<sub>1</sub></th> <th>L<sub>2</sub></th> <th>L<sub>B</sub></th> <th>l<sub>1</sub></th> <th>l<sub>2</sub></th> </tr> </thead> <tbody> <tr> <td>20</td> <td>10</td> <td>5</td> <td>7</td> <td>4</td> </tr> <tr> <td>25</td> <td>15</td> <td>7</td> <td>7</td> <td>5</td> </tr> <tr> <td>30</td> <td>20</td> <td>10</td> <td>7</td> <td>5</td> </tr> </tbody> </table>	L <sub>1</sub>	L <sub>2</sub>	L <sub>B</sub>	l <sub>1</sub>	l <sub>2</sub>	20	10	5	7	4	25	15	7	7	5	30	20	10	7	5
L <sub>1</sub>	L <sub>2</sub>	L <sub>B</sub>	l <sub>1</sub>	l <sub>2</sub>																	
20	10	5	7	4																	
25	15	7	7	5																	
30	20	10	7	5																	

#### Notes

- The highlighted figures in shaft types refer to Product Specifications in P.261 and P.262.
- Other varieties are also available. Please inquire.

# 11 mm Size Metal Shaft Type / Switch Specifications

## 1. EC11B Series

Switch type		Momentary push switch	
Contact arrangement		Single pole and single throw (Push-on)	
Travel (mm)		$0.5^{+0.4}_{-0.3}$	$1.5 \pm 0.5$
Operating force		$6 \pm 3\text{N}$	$5 \pm 2\text{N}$
Operating life		25,000 times	20,000 times
Electrical performance	Rating	0.1A 5V DC (500 $\mu$ A 5V DC min. ratings)	
	Contact resistance	100m $\Omega$ max. for initial period, 200m $\Omega$ max. after operating life.	
	Insulation resistance	100M $\Omega$ min. 250V DC	
	Voltage proof	300V AC for 1 minute or 360V AC for 2 second	

## 2. EC11E/EC11N/EC11I Series

Switch type		Momentary push switch	
Contact arrangement		Single pole and single throw (Push-on)	
Travel (mm)		$0.5 \pm 0.3$	$1.5 \pm 0.5$
Operating force		$6^{+2.5}_{-2}\text{N}$	$4 \pm 2\text{N}$
Operating life		20,000 times	
Electrical performance	Rating	0.1A 5V DC (500 $\mu$ A 5V DC min. ratings)	
	Contact resistance	100m $\Omega$ max. for initial period, 200m $\Omega$ max. after operating life.	
	Insulation resistance	100M $\Omega$ min. 250V DC	
	Voltage proof	300V AC for 1 minute or 360V AC for 2 second	

## 3. EC11G/EC11M Series

Switch type		Momentary push switch	
Contact arrangement		Single pole and single throw (Push-on)	
Travel (mm)		$1.5 \pm 0.35$	
Operating force		$5 \pm 2\text{N}$	
Operating life		20,000 times	
Electrical performance	Rating	0.15A 5V DC (500 $\mu$ A 5V DC min. ratings)	
	Contact resistance	100m $\Omega$ max. for initial period, 200m $\Omega$ max. after operating life.	
	Insulation resistance	100M $\Omega$ min. 250V DC	
	Voltage proof	300V AC for 1 minute or 360V AC for 2 second	

## 4. EC11K/EC11J Series











Switch type		Momentary push switch	
Contact arrangement		Single pole and single throw (Push-on)	
Travel (mm)		$0.5 \pm 0.3$	$1.5 \pm 0.5$
Operating force		$5 \pm 2\text{N}$	$4 \pm 2\text{N}$
Operating life		1,000,000 times	100,000 times
Electrical performance	Rating	0.1A 5V DC (0.1mA 5V DC min. ratings)	
	Contact resistance	100m $\Omega$ max. for initial period, 200m $\Omega$ max. after operating life.	
	Insulation resistance	100M $\Omega$ min. 250V DC	
	Voltage proof	300V AC for 1 minute or 360V AC for 1 second	

## 5. EC11E152U Series

Switch type		Push lock mechanism switch	
Contact arrangement		Single pole and single throw (Push-on)	
Travel (mm)		$8 \pm 0.8$	
Operating force		8N max.	
Operating life		10,000 times	
Electrical performance	Rating	0.1A 5V DC (500 $\mu$ A 5V DC min. ratings)	
	Contact resistance	100m $\Omega$ max. for initial period, 200m $\Omega$ max. after operating life.	
	Insulation resistance	100M $\Omega$ min. 250V DC	
	Voltage proof	300V AC for 1 minute or 360V AC for 2 second	

# Encoders

## List of Varieties

Type		Metal shaft													
		9mm size			11mm size										
Series		EC09E			EC11B		EC11E				EC11N				
Photo															
Output		Incremental (Two phase A and B )													
Shaft types		Single-shaft						Dual-shaft			Single-shaft				
Operating direction		Vertical			Horizontal		Vertical								
Number of pulse / Number of detent		15/30							9/18 15/30 or without 18/36 or without			15/30			
Features		—			—		Without detent Push-lock mechanism			—		—			
Dimensions (mm)		W		9.5			11.7								
		D					13.75		12						
		H		4.5		5.5/6.7/7.75		4.5		8/8.5		4.5			
Operating temperature range		-40°C to +85°C													
Operating life		15,000 cycles													
Automotive use		●			●		●				●				
Life cycle (availability)															
Electrical performance		Rating		10mA 5V DC											
		Max./min. operating current (Resistive load)		10mA /1mA											
		Insulation resistance		100MΩ min. 250V DC											
		Voltage proof		300V AC for 1 minute or 360V AC for 1s			300V AC for 1 minute or 360V AC for 2s								
Mechanical performance		Rotational torque (Without detent)		—			—		7 ± 3mN·m		—		—		
		Detent torque		8 ± 5mN·m		12 ± 7mN·m		10 ± 7mN·m							
		Push-pull strength		100N											
Shaft configuration		Flat			Flat, Slotted, Serrated				Inner-shaft : Flat Outer-shaft : Slotted		Flat				
Terminal type		Insertion													
Switch Specifications		Switch type		Push-on switch						Push-lock mechanism switch ※	Push-on switch				
		Contact arrangement		Single pole and single throw (Push-on)											
		Travel (mm)		0.5 ± 0.3	1.5 ± 0.5	0.5 ± 0.3	1.5 ± 0.5	0.5 ± 0.3	1.5 ± 0.5	8 ± 0.8	0.5 ± 0.3	1.5 ± 0.5	0.5 ± 0.3	1.5 ± 0.5	
		Operating force (N)		6 ± 2.5	4 ± 2	6 ± 3	5 ± 2	6 ± 2.5	4 ± 2	8 max.	6 ± 2.5	4 ± 2	6 ± 2.5	4 ± 2	
		Rating		10mA 5V DC (1mA 5V DC min. ratings)			0.1A 5V DC (500μA 5V DC min. ratings)								
		Contact resistance		100mΩ max. for initial period; 200mΩ max. after operating life.											
		Operating life		10,000 times		25,000 times		20,000 times			10,000 times	20,000 times			
Page		259			261										















Encoders Soldering Conditions	299
Encoders Cautions	300

### Notes

- ※marked specification is only applicable to EC11E152U402.
- Indicates applicability to all products in the series.

# Encoders

## List of Varieties

Type		Metal shaft							
		1.1 mm size							
Series		EC11G	EC11M	EC111	EC11K	EC11J	EC11J	EM11B	
Photo									
Output		Incremental (Two phase A and B)		Self-return switch	Incremental (Two phase A and B)				
Shaft types		Single-shaft							
Operating direction		Vertical							
Number of pulse / Number of detent		15/30 15/without		—	9/18 15/30		16/16		
Features		Less shaft wobble		—	—	Surface Mount type		Magnetic type	
Dimensions (mm)	W	11.7						10.8	
	D	12	13	12	15.3		11		
	H	4.5	5	4.5		7.5			
Operating temperature range		-40°C to +85°C						-30°C to +85°C	
Operating life		15,000 cycles			100,000 cycles			1,000,000 cycles	
Automotive use		●	●	●	●	●	●	●	
Life cycle (availability)									
Electrical performance	Rating	10mA 5V DC						10mA 5V±5% DC	
	Max./min. operating current (Resistive load)	10mA / 1mA						15mA / —	
	Insulation resistance	100MΩ min. 250V DC						100MΩ min. 100V DC	
	Voltage proof	300V AC for 1 minute or 360V AC for 2s			300V AC for 1 minute or 360V AC for 1s			250V AC for 1 minute or 300V AC for 2s	
Mechanical performance	Rotational torque (Without detent)	8.5±5mN·m	3 to 30mN·m		—	—		—	
	Detent torque	12±7mN·m	—		12±5mN·m	12±5mN·m (Initial) 10±4mN·m (After reflow)		10±5mN·m	
	Push-pull strength	100N							
Shaft configuration		Serrated		Flat, Slotted, Serrated				Flat	
Terminal type		Insertion					Reflow	Insertion	
Switch Specifications	Switch type	Push-on switch							
	Contact arrangement	Single pole and single throw (Push-on)							
	Travel (mm)	1.5±0.35	0.5±0.3	1.5±0.5	0.5±0.3	1.5±0.5	0.5±0.3	1.5±0.5	0.5 ± $\begin{smallmatrix} 0.3 \\ 0.2 \end{smallmatrix}$
	Operating force (N)	5±2	6 ± $\begin{smallmatrix} 2.5 \\ 2 \end{smallmatrix}$	4±2	5±2	4±2	5±2	4±2	5.5±3
	Rating	0.1A 5V DC (500μA 5V DC min. ratings)			0.1A 5V DC (0.1mA 5V DC min. ratings)			5mA 5V DC (50mA 12V DC max. ratings)	
	Contact resistance	100mΩ max. for initial period, 200mΩ max. after operating life.						500mΩ max. for initial period, 5mΩ max. after operating life.	
	Operating life	20,000 times			1,000,000 times	100,000 times	1,000,000 times	100,000 times	1,000,000 times
Page		261						271	

Encoders Soldering Conditions	299
Encoders Cautions	300

### Note

- Indicates applicability to all products in the series.