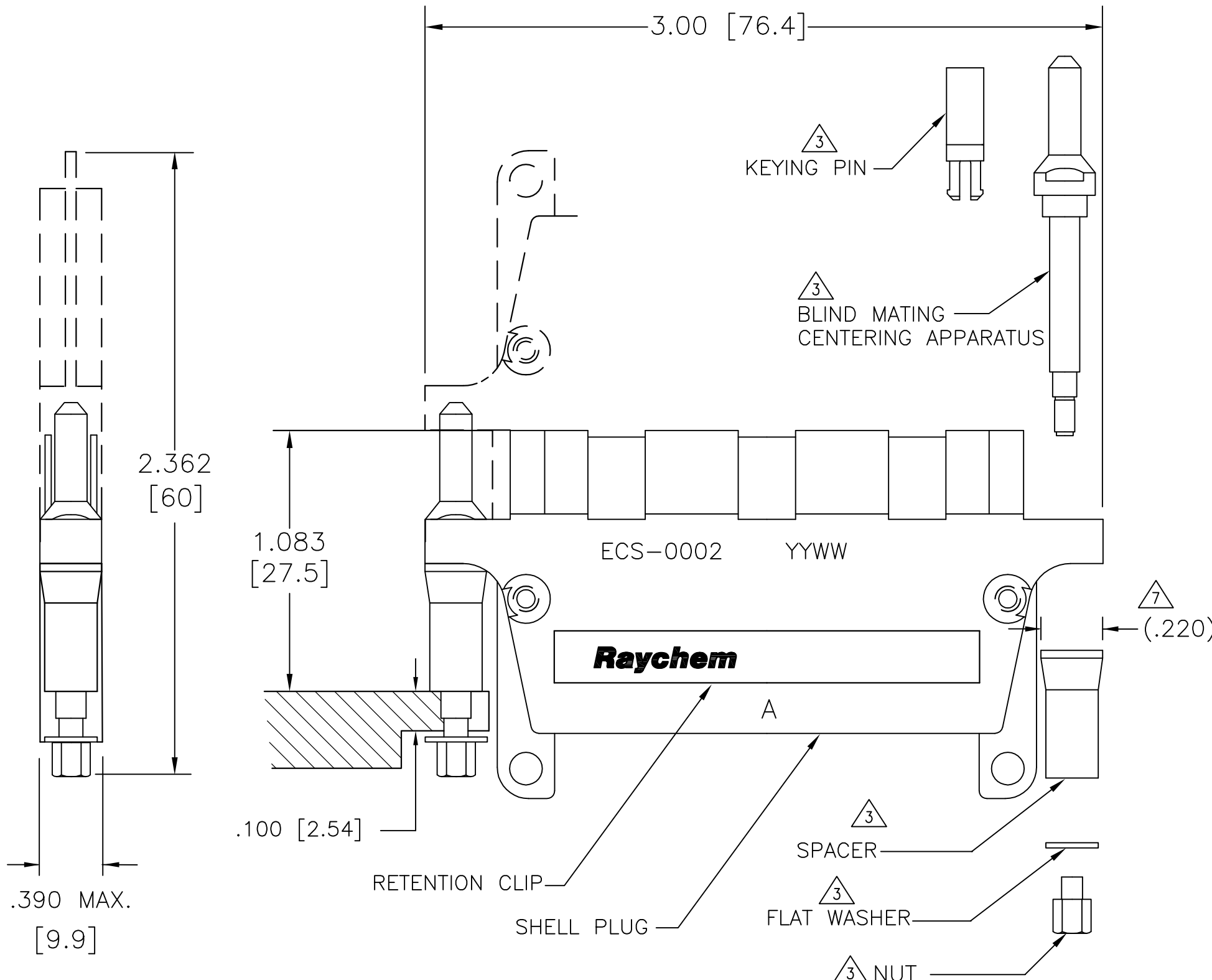
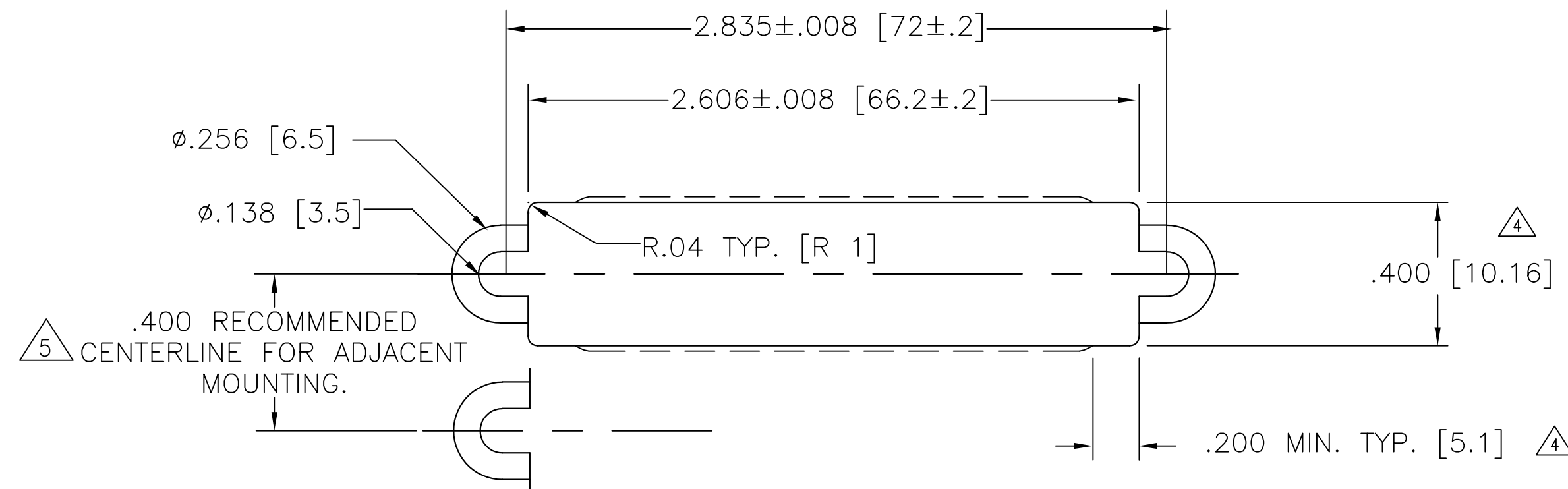


LOC		DIST		REVISIONS			
P	LTR	DESCRIPTION		DATE	OWN	APVD	
	G	ECO-13-012568		14AUG13	KG	MS	



- NOTES:
- MATERIAL:
    - A) SHELL PLUG ALUMINUM ALLOY PER QQ-A-591
    - B) RETENTION CLIP COPPER ALLOY 172 PER QQ-C-533
    - C) BLIND MATING CENTERING APPARATUS STAINLESS STEEL PER QQ-S-763, 300 SERIES
    - D) NUT STAINLESS STEEL PER QQ-S-763, 300 SERIES
    - E) SPACER STAINLESS STEEL PER QQ-S-763, 300 SERIES
    - F) FLAT WASHER STAINLESS STEEL PER QQ-S-763 OR QQ-S-766, 300 SERIES
    - G) KEYING PIN HIGH GRADE POLYARYLENE THERMOPLASTIC, MOLDED
  - FINISH:
    - A) SHELL PLUG CADMIUM PLATED PER QQ-P-416 OVER NICKEL UNDERPLATE
    - B) RETENTION CLIP CADMIUM PLATED PER QQ-P-416
    - C) BLIND MATING CENTERING APPARATUS CADMIUM PLATED PER QQ-P-416
    - D) NUT CADMIUM PLATED PER QQ-P-416
    - E) SPACER CADMIUM PLATED PER QQ-P-416
    - F) FLAT WASHER CADMIUM PLATED PER QQ-P-416

- △3 THESE ITEMS ARE SUPPLIED UNASSEMBLED.
- △4 THE DIMENSION OF .400 WIDTH MUST BE MAINTAINED FOR .200 MINIMUM LENGTH EACH SIDE FOR PROPER ALIGNMENT. AFTER THAT VARIATION IN .400 DIMENSION IS PERMISSIBLE.
- △5 PANEL CUT OUT FOR STACKING CONDITION MAY VARIES, DEPENDING ON THE APPLICATION.
6. MATING CONNECTOR: ECS-0004
- △7 LARGER DIAMETER END (.220) REF OF TAPERED SPACER TO BE ORIENTED TOWARDS SHELL FLANGE DURING ASSEMBLY AT 2 PLACES.



THIS DRAWING IS A CONTROLLED DOCUMENT.		DWN K.GLATFELTER 13AUG2013	<b>STE</b> TE Connectivity	
DIMENSIONS: INCHES [mm]		CHK M.SPICER 13AUG2013		
TOLERANCES UNLESS OTHERWISE SPECIFIED:		APVD M.SPICER 13AUG2013	NAME	
0 PLC ± -	1 PLC ± -	2 - INCH PLUG, BLIND MATING MTC SERIES		
2 PLC ± .02 [0.5]	3 PLC ± .005 [0.13]	PRODUCT SPEC		
4 PLC ± -	ANGLES ± -	APPLICATION SPEC		
MATERIAL	FINISH	WEIGHT .060 LB [27.0] GRAMS	SIZE A2	CAGE CODE 00779
		CUSTOMER DRAWING	DRAWING NO. ECS-0002	RESTRICTED TO
		SCALE NTS	SHEET 1 OF 1	REV G